



US00D844350S

(12) **United States Design Patent**
De Loynes et al.

(10) **Patent No.:** **US D844,350 S**
(45) **Date of Patent:** **** Apr. 2, 2019**

(54) **SHOE RACK**

(71) Applicant: **Umbra LLC**, Buffalo, NY (US)

(72) Inventors: **Eugenie De Loynes**, Toronto (CA);
Edouard Lauriault, Montreal (CA)

(73) Assignee: **Umbra LLC**, Buffalo, NY (US)

(**) Term: **15 Years**

(21) Appl. No.: **29/638,469**

(22) Filed: **Feb. 27, 2018**

(51) **LOC (11) Cl.** **06-06**

(52) **U.S. Cl.**
USPC **D6/675.1**

(58) **Field of Classification Search**
USPC D6/672, 675, 675.1, 675.2, 675.3, 675.4,
D6/675.5
CPC . A47B 45/00; A47B 55/00; A47F 7/00; A47F
7/08
See application file for complete search history.

(56) **References Cited**

U.S. PATENT DOCUMENTS

3,289,614	A *	12/1966	Frazier	A47B 7/02
					108/180
D360,093	S *	7/1995	Bigwood	D6/536
D370,177	S *	5/1996	Bankier	D7/553.3
D446,092	S *	8/2001	Cautereels	D7/701
D454,749	S *	3/2002	Georgiadis	D6/629
6,648,154	B2 *	11/2003	Awalt	A47F 7/0071
					211/126.1
D569,655	S *	5/2008	Williams	D6/682.2
7,984,806	B2 *	7/2011	Matheou	A47B 73/008
					206/427
D684,419	S *	6/2013	Cloutier	D7/354
D701,418	S *	3/2014	Tingley	D7/357
D730,664	S *	6/2015	Klein	D6/675.1

D787,242 S * 5/2017 Hsu D6/675.2
D801,689 S * 11/2017 Shannon D3/313
2015/0282667 A9* 10/2015 Tingley A21B 3/15
220/573.4

* cited by examiner

Primary Examiner — Kelley A Donnelly
(74) *Attorney, Agent, or Firm* — Simpson & Simpson,
PLLC

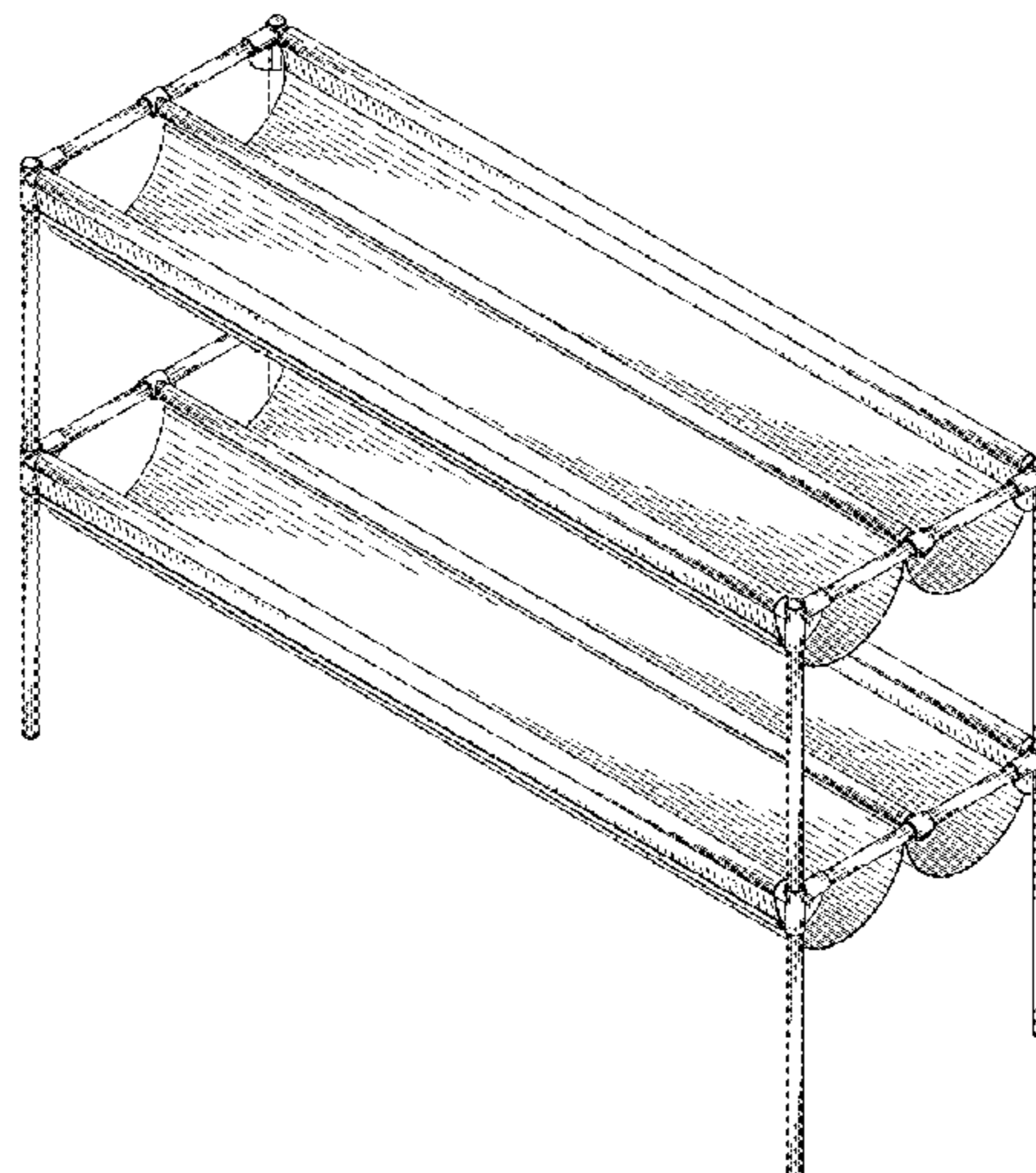
(57) **CLAIM**

The ornamental design for a shoe rack, as shown and described.

DESCRIPTION

FIG. 1 is a front perspective view of the shoe rack of the present invention;
FIG. 2 is a front elevational view of the shoe rack shown in FIG. 1;
FIG. 3 is a right side elevational view of the shoe rack shown in FIG. 1;
FIG. 4 is a back elevational view of the shoe rack shown in FIG. 1;
FIG. 5 is a left side elevational view of the shoe rack shown in FIG. 1;
FIG. 6 is a top plan view of the shoe rack shown in FIG. 1;
FIG. 7 is a bottom plan view of the shoe rack shown in FIG. 1;
FIG. 8 is a front perspective view of an example embodiment of the shoe rack shown in FIG. 1; and,
FIG. 9 is a front perspective view of another example embodiment of the shoe rack shown in FIG. 1.
Stippling and/or contour lines are included in the various views, for example, FIGS. 1-9, to depict surface curvature, flatness or other shapes.

1 Claim, 9 Drawing Sheets



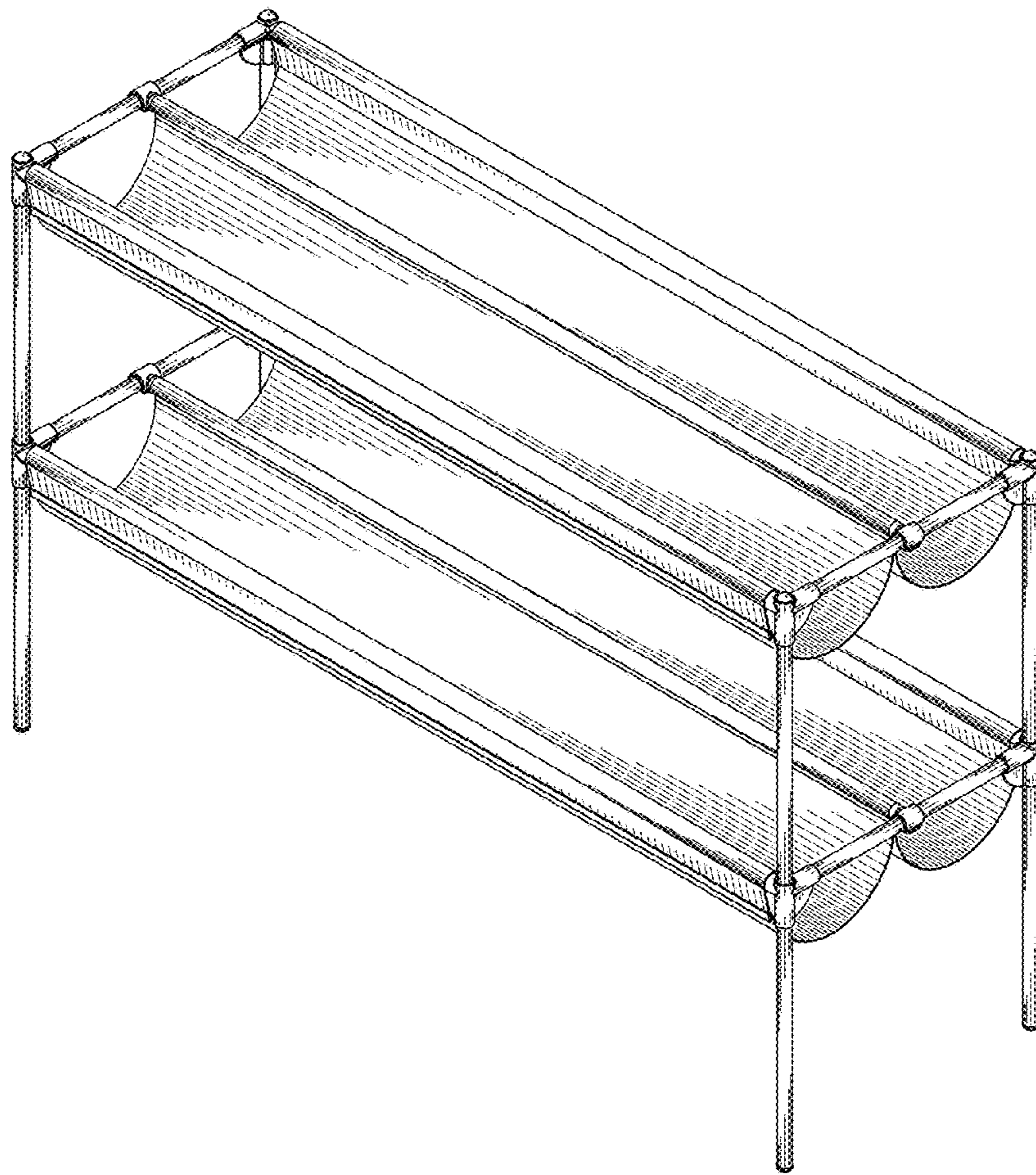


FIG. 1



FIG. 2

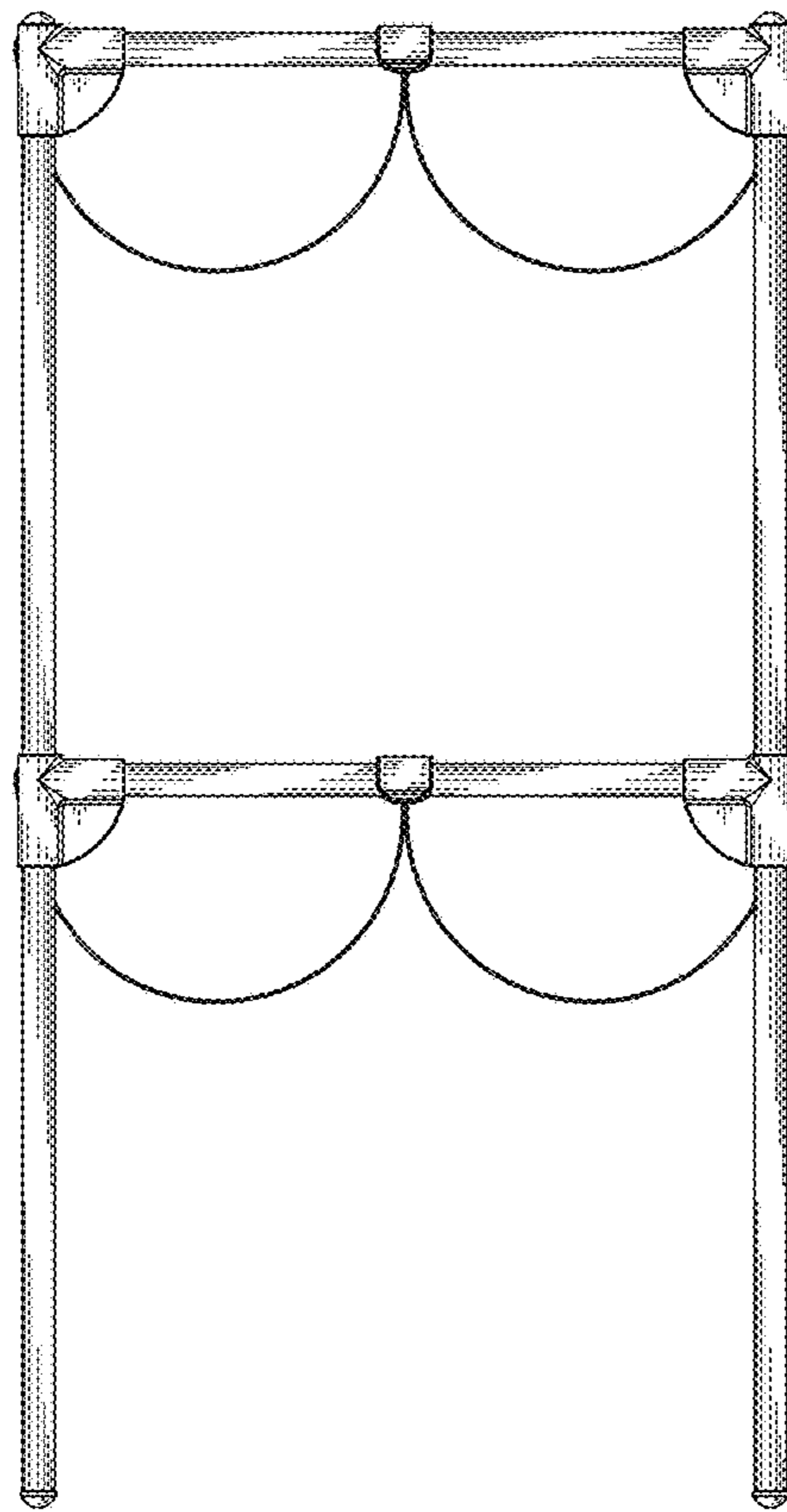


FIG. 3

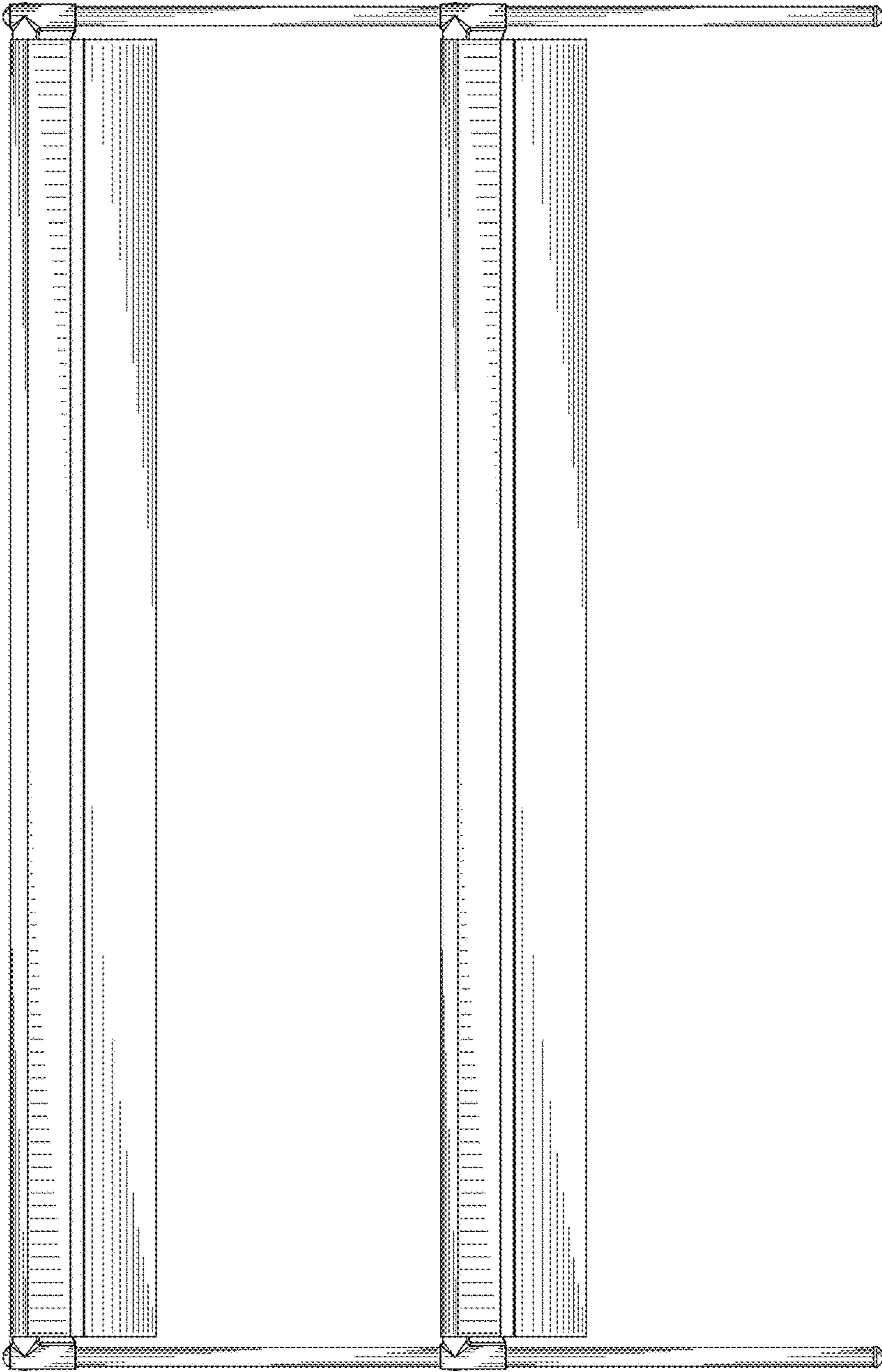


FIG. 4

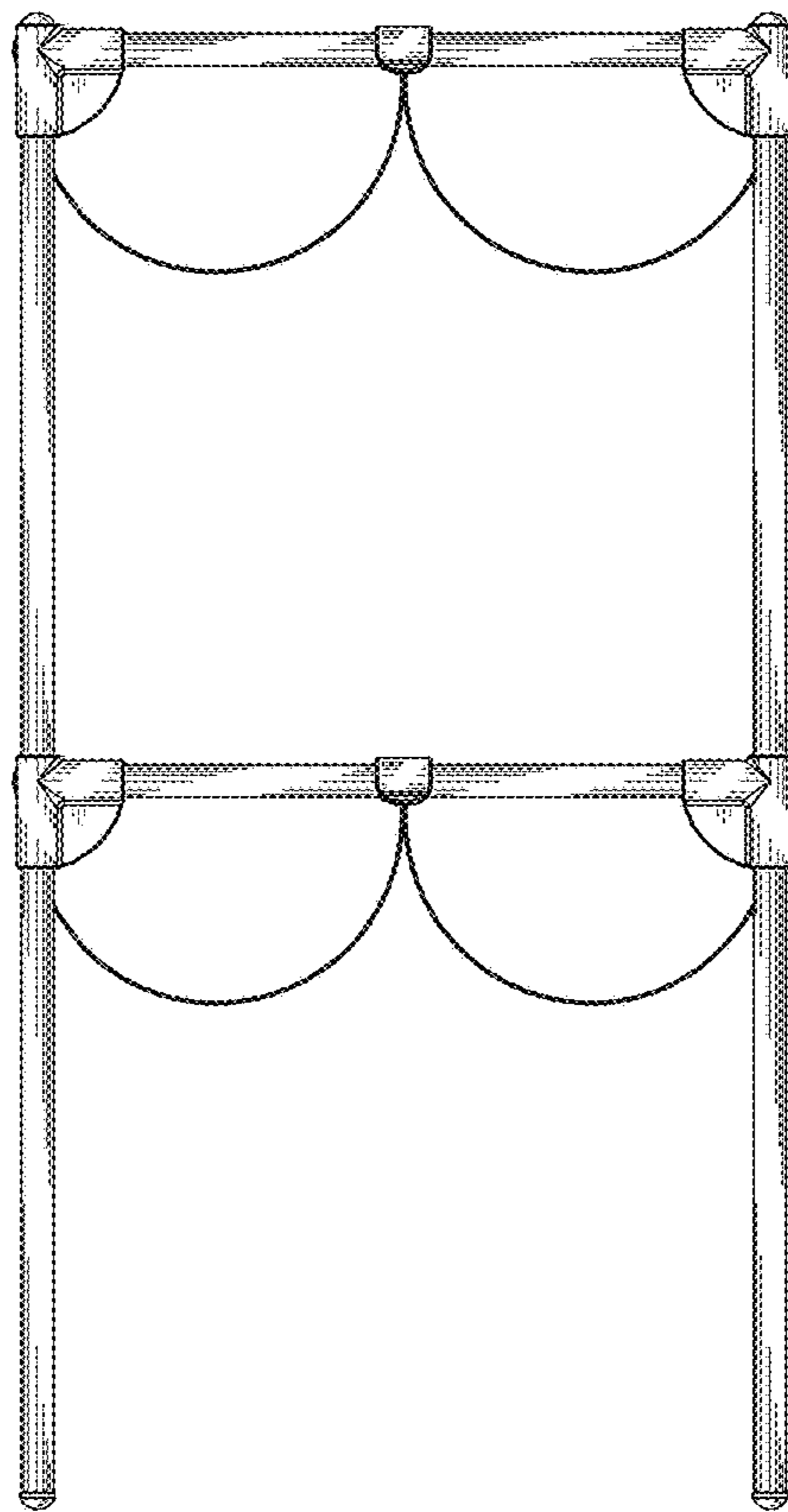


FIG. 5

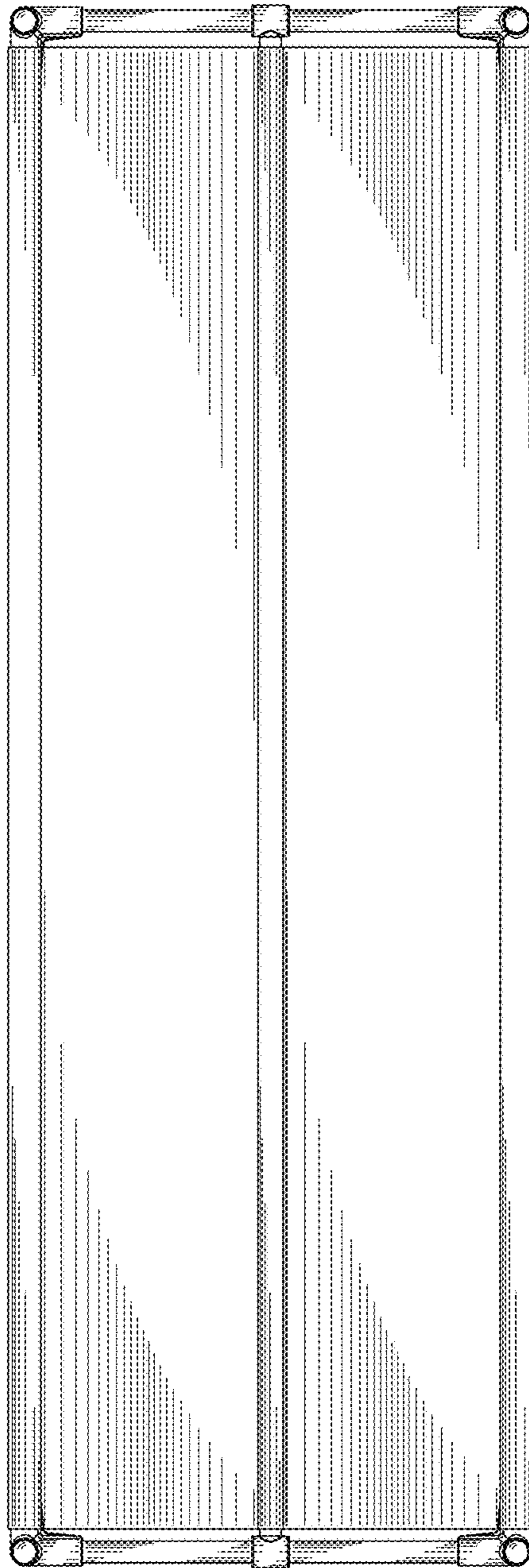


FIG. 6

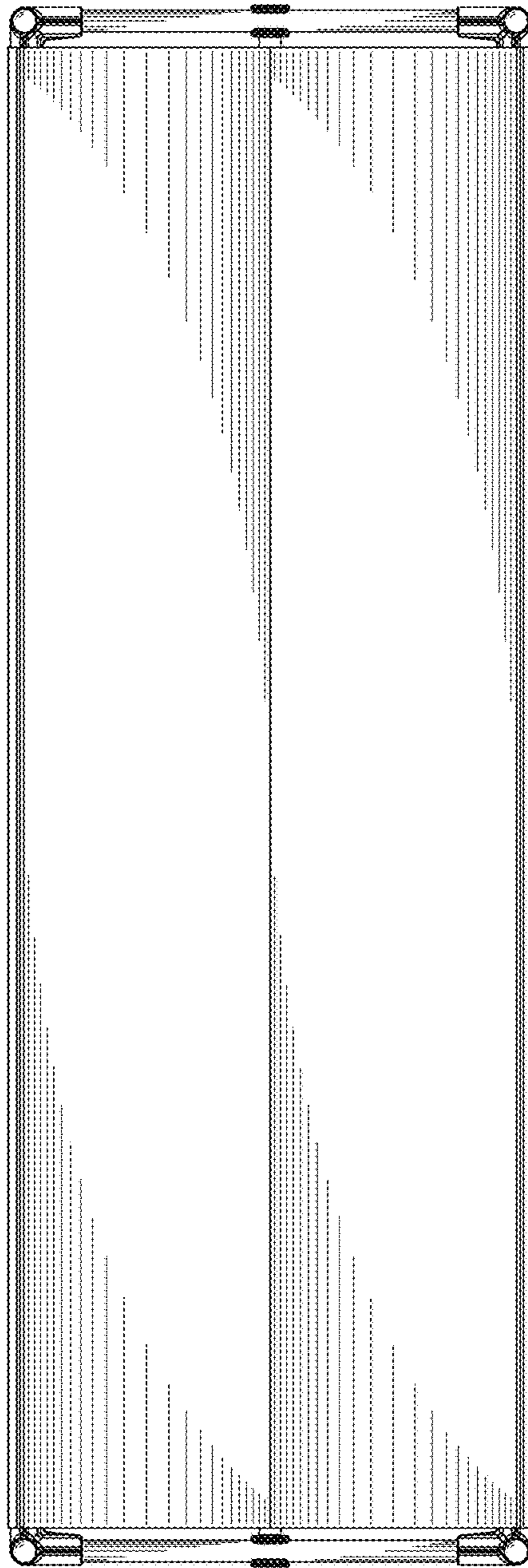


FIG. 7

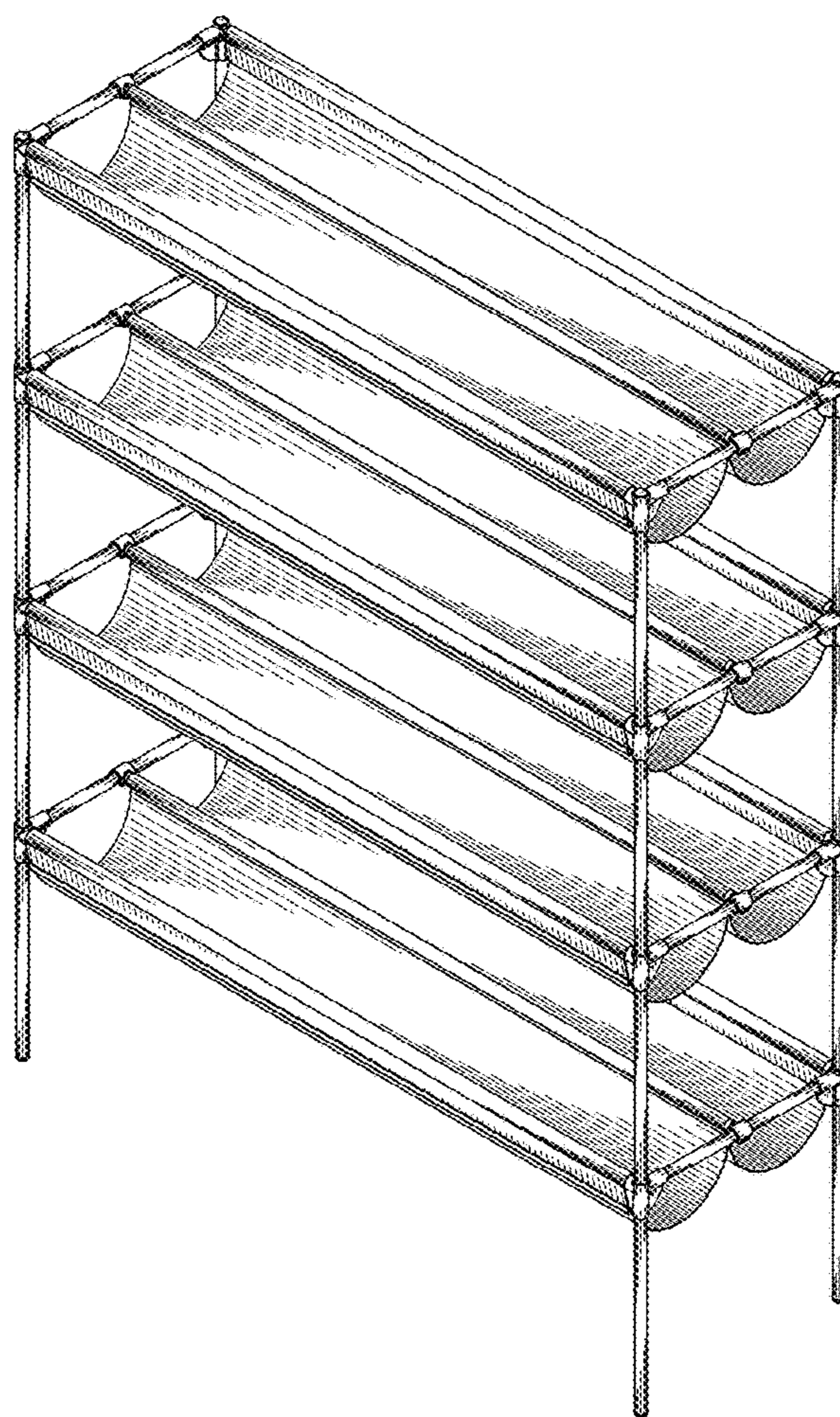


FIG. 8

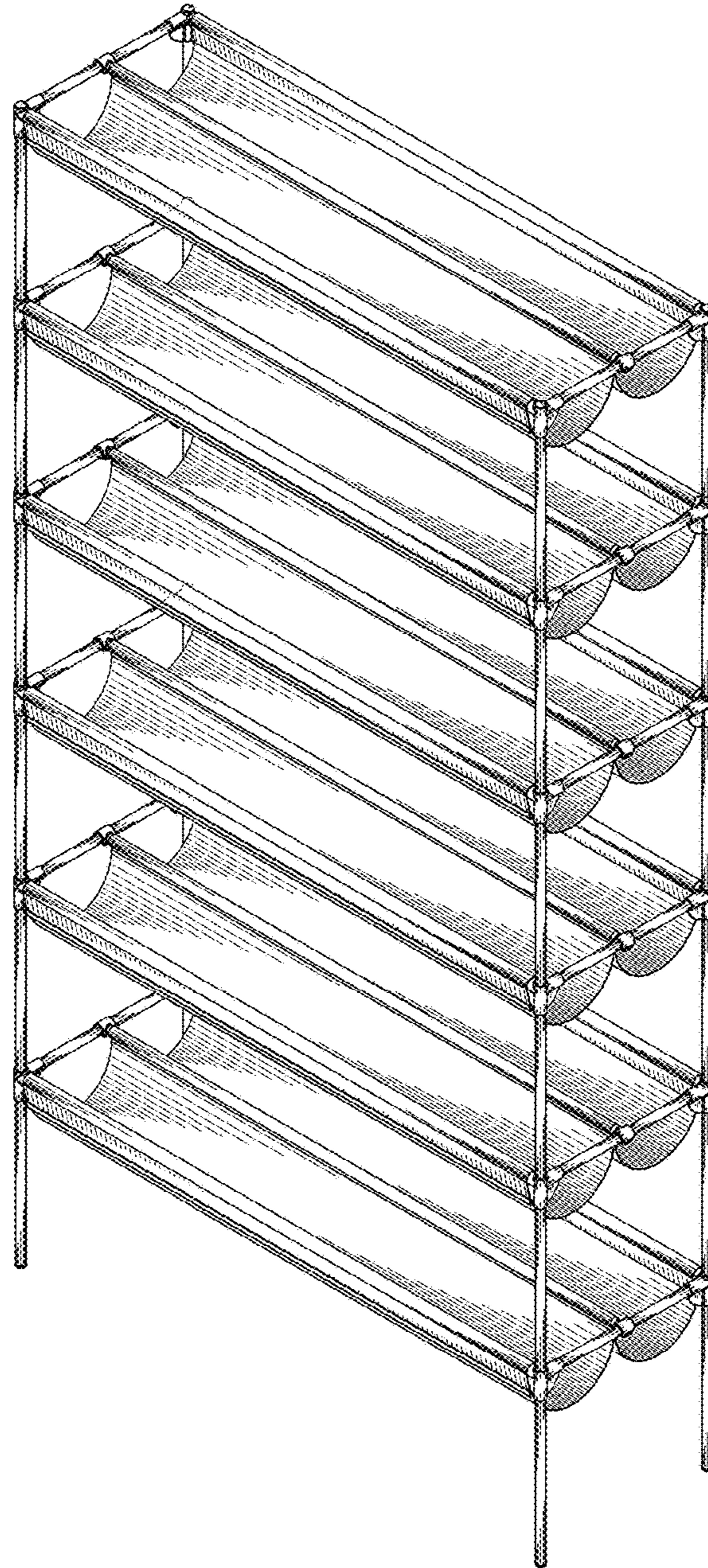


FIG. 9