



US00D844338S

(12) **United States Design Patent**
Franks et al.

(10) **Patent No.:** **US D844,338 S**

(45) **Date of Patent:** **** Apr. 2, 2019**

- (54) **CHAIR**
- (71) Applicant: **Brown Jordan International, Inc.**, St. Augustine, FL (US)
- (72) Inventors: **Jay Franks**, Louisville, KY (US);
Drew Haeffle, Louisville, KY (US)
- (73) Assignee: **BROWN JORDAN INTERNATIONAL, INC.**, St. Augustine, FL (US)
- (**) Term: **15 Years**
- (21) Appl. No.: **29/635,743**
- (22) Filed: **Feb. 2, 2018**
- (51) **LOC (11) Cl.** **06-01**
- (52) **U.S. Cl.**
USPC **D6/368**
- (58) **Field of Classification Search**
USPC D6/334-336, 368, 373, 374, 375, 379,
D6/380, 716, 716.1, 716.2, 716.3, 716.4
CPC .. A47C 4/03; A47C 4/28; A47C 4/283; A47C
4/30; A47C 4/38; A47C 4/40; A47C 4/42;
A47C 4/48; A47C 5/06; A47C 5/10;
A47C 31/11
See application file for complete search history.

(56) **References Cited**

U.S. PATENT DOCUMENTS

2,213,590 A	9/1940	Parry	
3,151,909 A *	10/1964	Gerdetz	A47C 31/11 297/452.13
4,487,345 A	12/1984	Pierce et al.	
4,514,009 A *	4/1985	Vanderminden	A47C 5/10 297/16.1
4,577,901 A *	3/1986	Phillips	A47C 4/02 297/48

4,715,650 A *	12/1987	Berman	A47C 4/42 297/28
4,889,383 A *	12/1989	Jones	A47C 4/03 297/16.1
5,054,848 A *	10/1991	Liu	A47C 5/10 297/16.1
5,588,696 A	12/1996	Jay et al.	
5,779,314 A	7/1998	Grace	
D412,251 S *	7/1999	Tseng	D6/368
D412,407 S *	8/1999	Tseng	D6/368
6,056,172 A	5/2000	Welsh	
6,764,132 B1 *	7/2004	Gaertner	A47C 5/10 297/130
RE39,022 E	3/2006	Welsh	
D639,577 S *	6/2011	Tseng	D6/368
D654,714 S *	2/2012	Tseng	D6/368
8,197,000 B1	6/2012	Cohen	
D671,760 S *	12/2012	Toupou	D6/368
D725,928 S *	4/2015	Battisto	D6/368

(Continued)

Primary Examiner — Mimosa De

(74) *Attorney, Agent, or Firm* — Lott & Fischer, PL

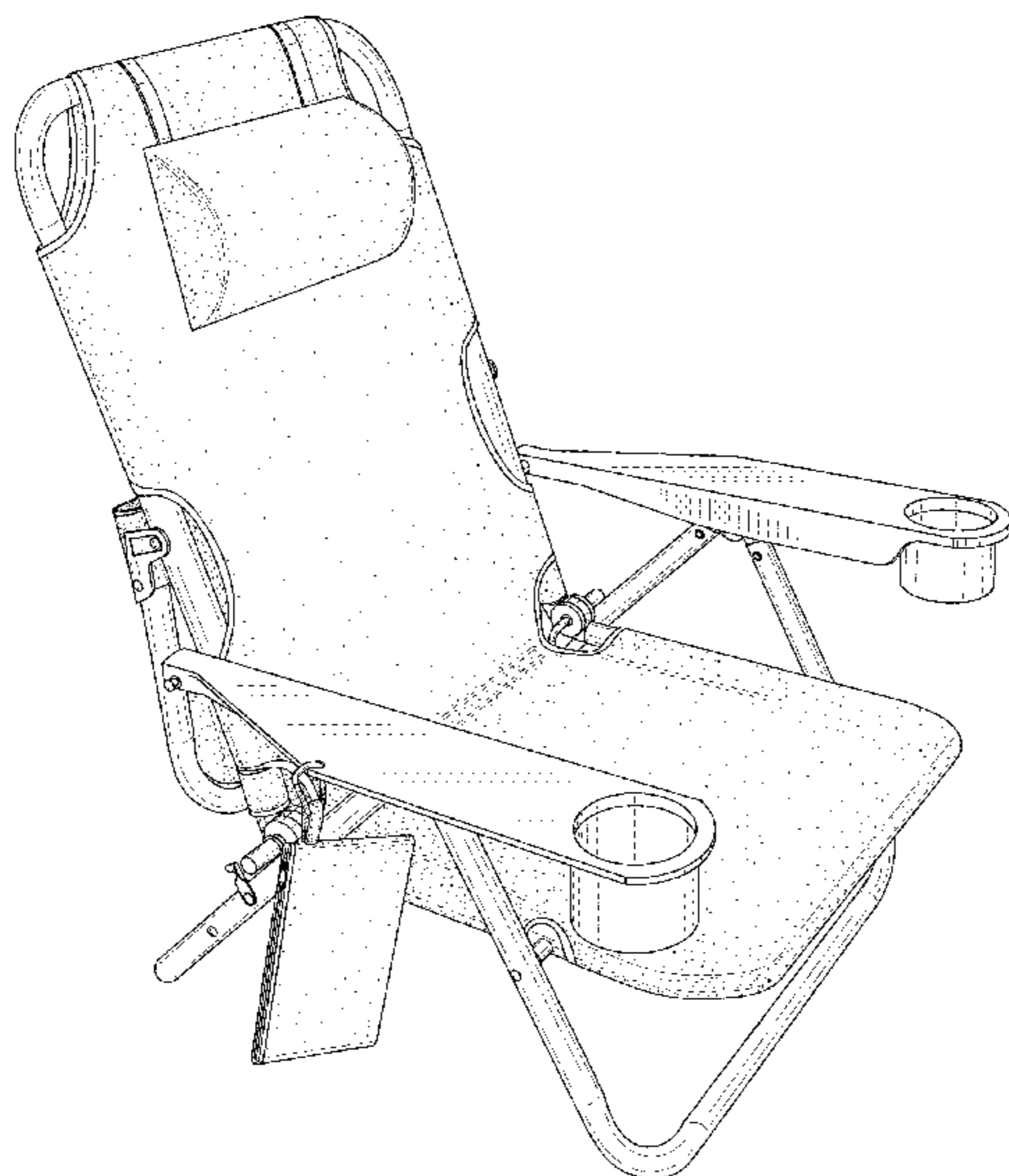
(57) **CLAIM**

The ornamental design for a chair, substantially as shown and described.

DESCRIPTION

FIG. 1 is a front perspective view of our new design; FIG. 2 is a rear perspective view of the design of FIG. 1; FIG. 3 is a left side elevational view of the design of FIG. 1; FIG. 4 is a right side elevational view of the design of FIG. 1; FIG. 5 is a front elevational view of the design of FIG. 1; FIG. 6 is a rear elevational view of the design of FIG. 1; FIG. 7 is a top plan view of the design of FIG. 1; FIG. 8 is a bottom plan view of the design of FIG. 1; and, FIG. 9 is a right side elevational view of the design of FIG. 1 in which the chair is reclined.

1 Claim, 9 Drawing Sheets



(56)

References Cited

U.S. PATENT DOCUMENTS

D804,232 S * 12/2017 Oliphant D6/716.1
D804,880 S * 12/2017 Oliphant D6/716.4

* cited by examiner



FIG. 1



FIG. 2

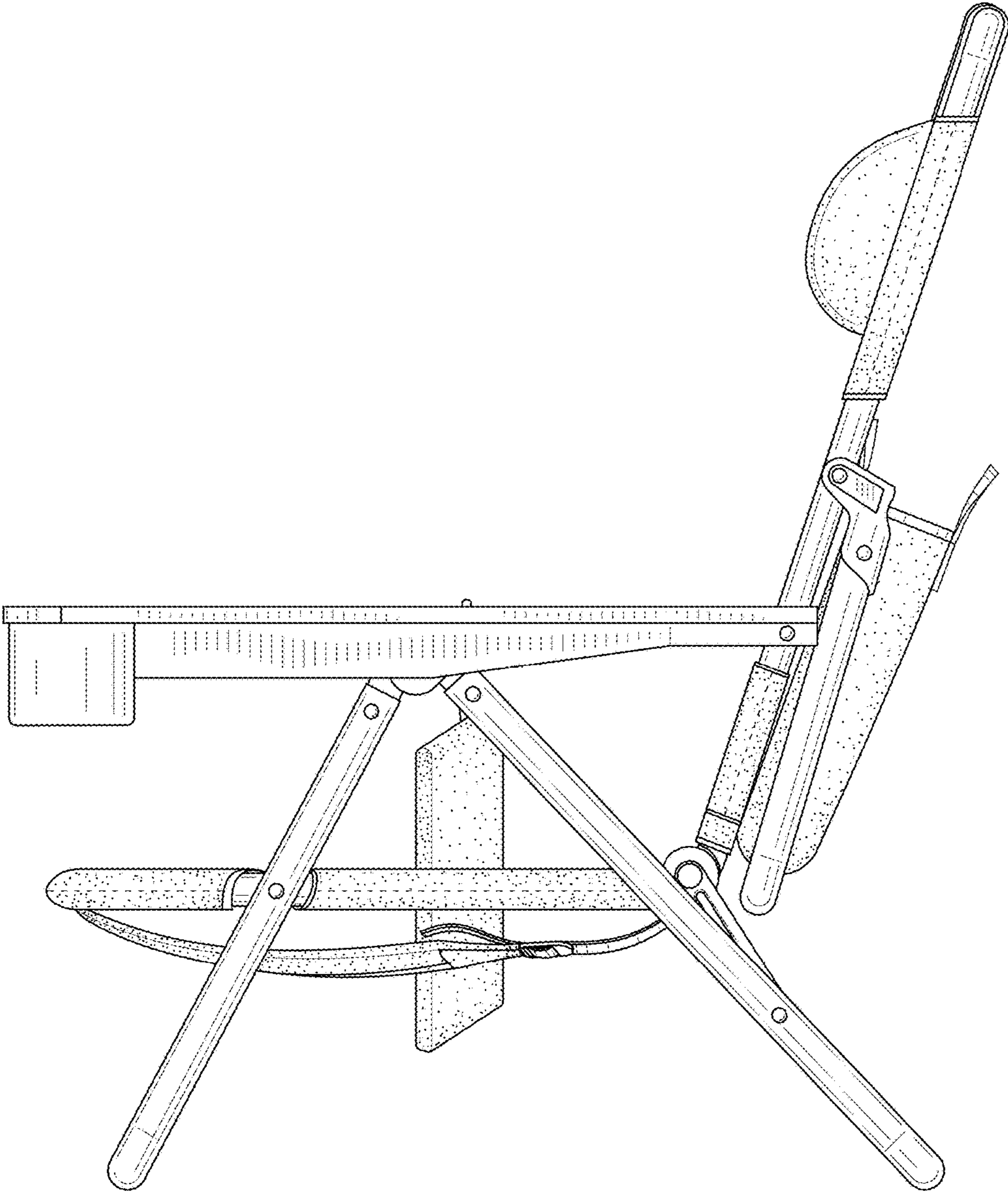


FIG. 3

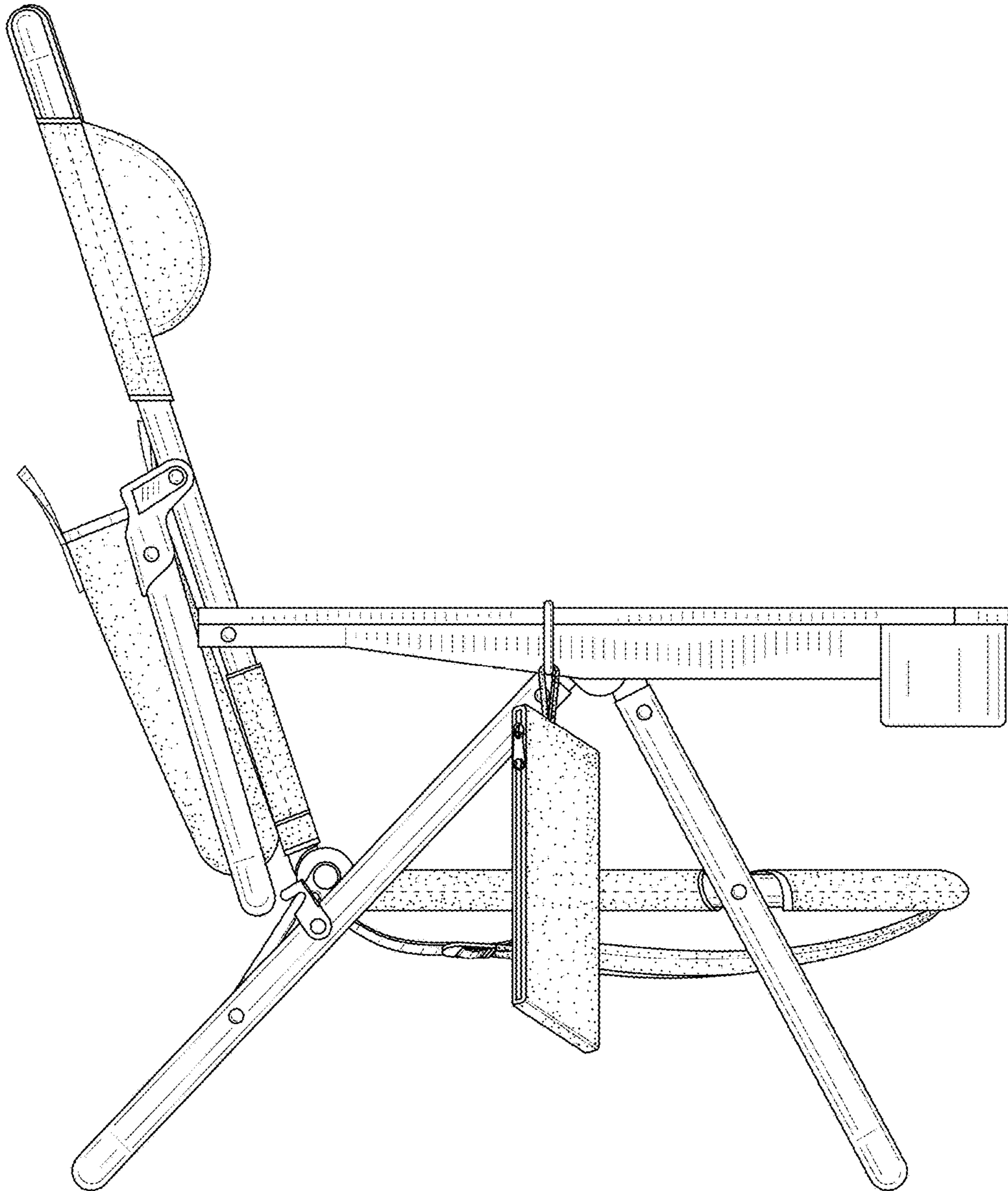


FIG. 4

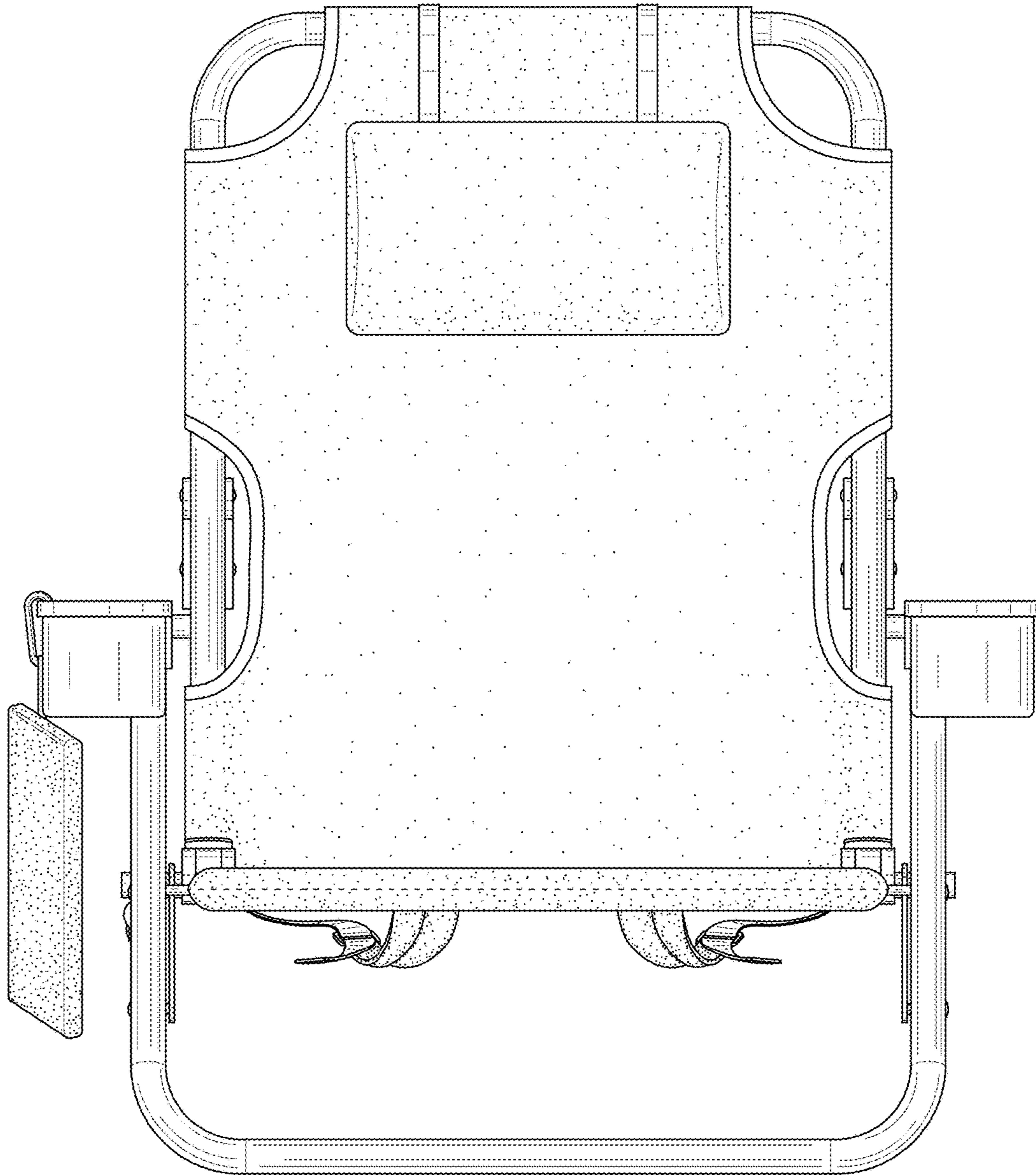


FIG. 5

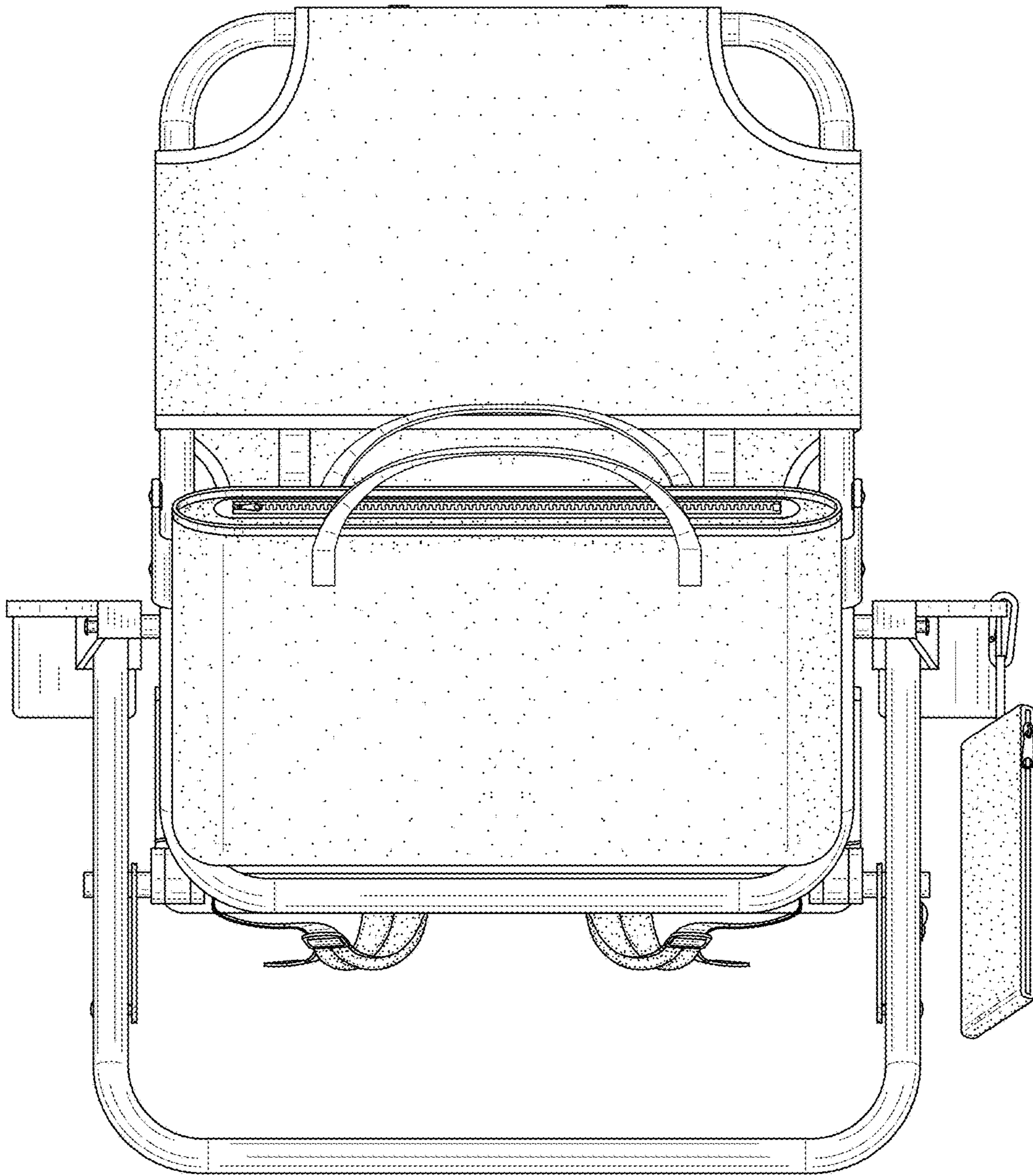


FIG. 6

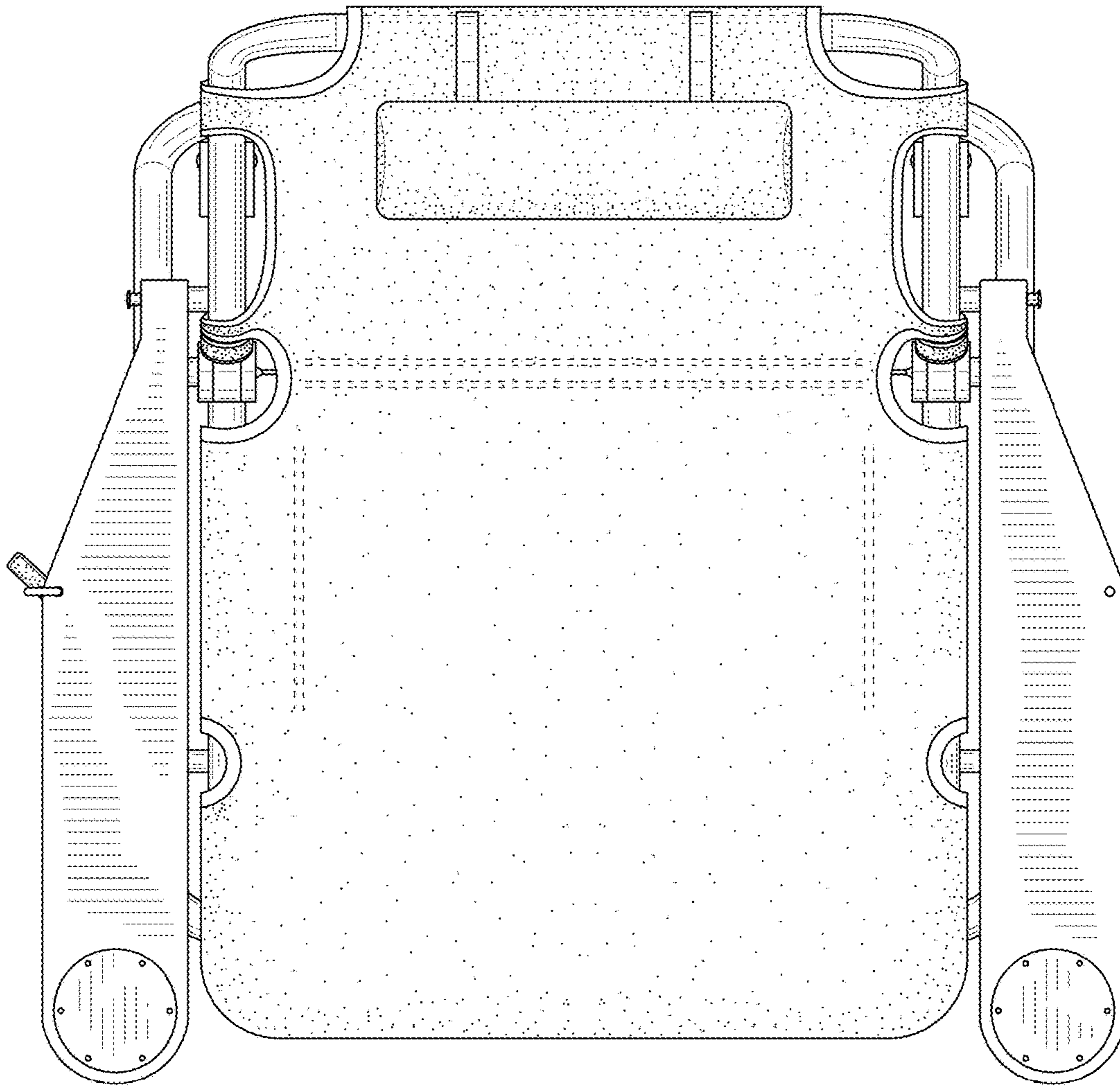


FIG. 7

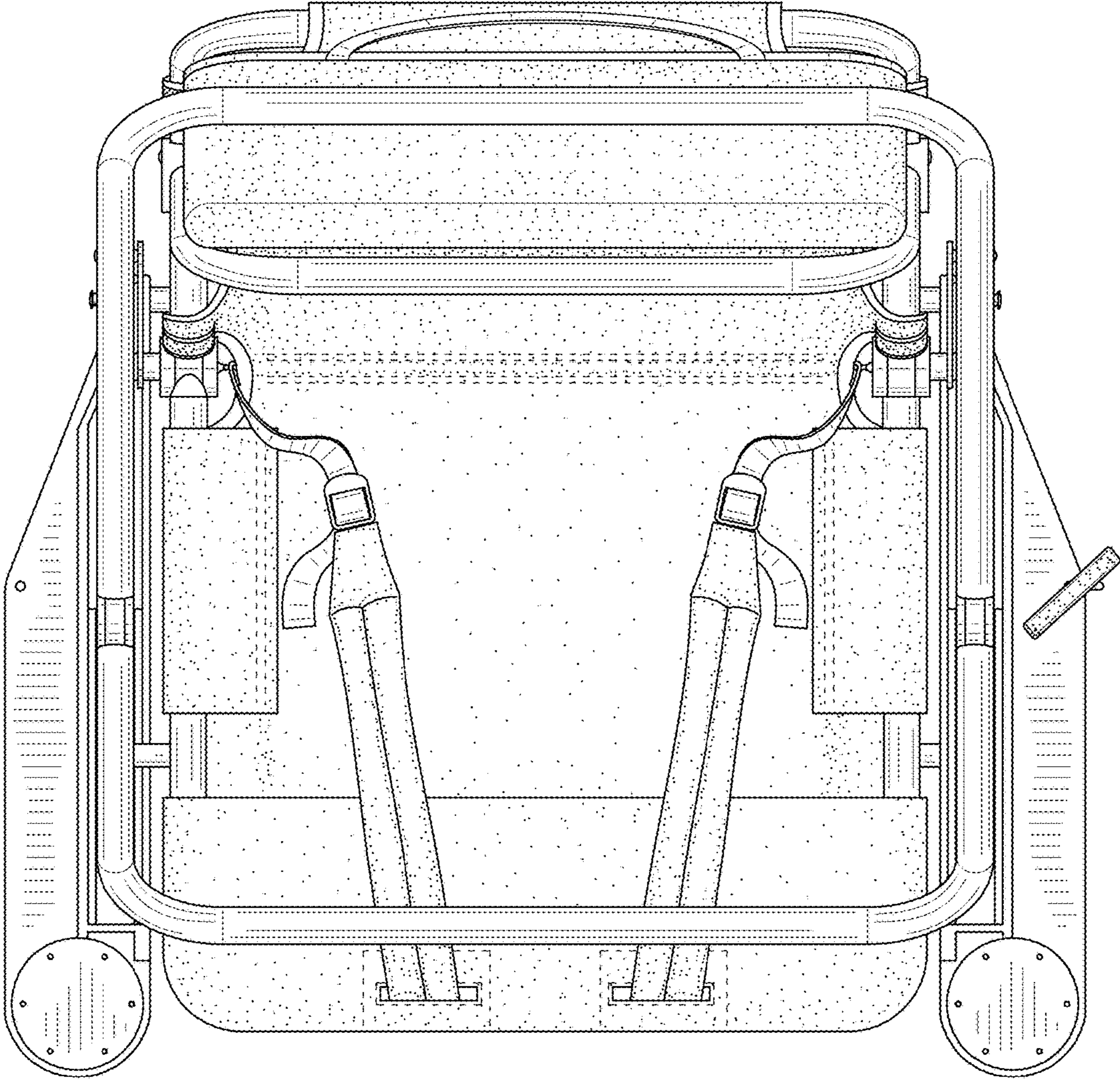


FIG. 8

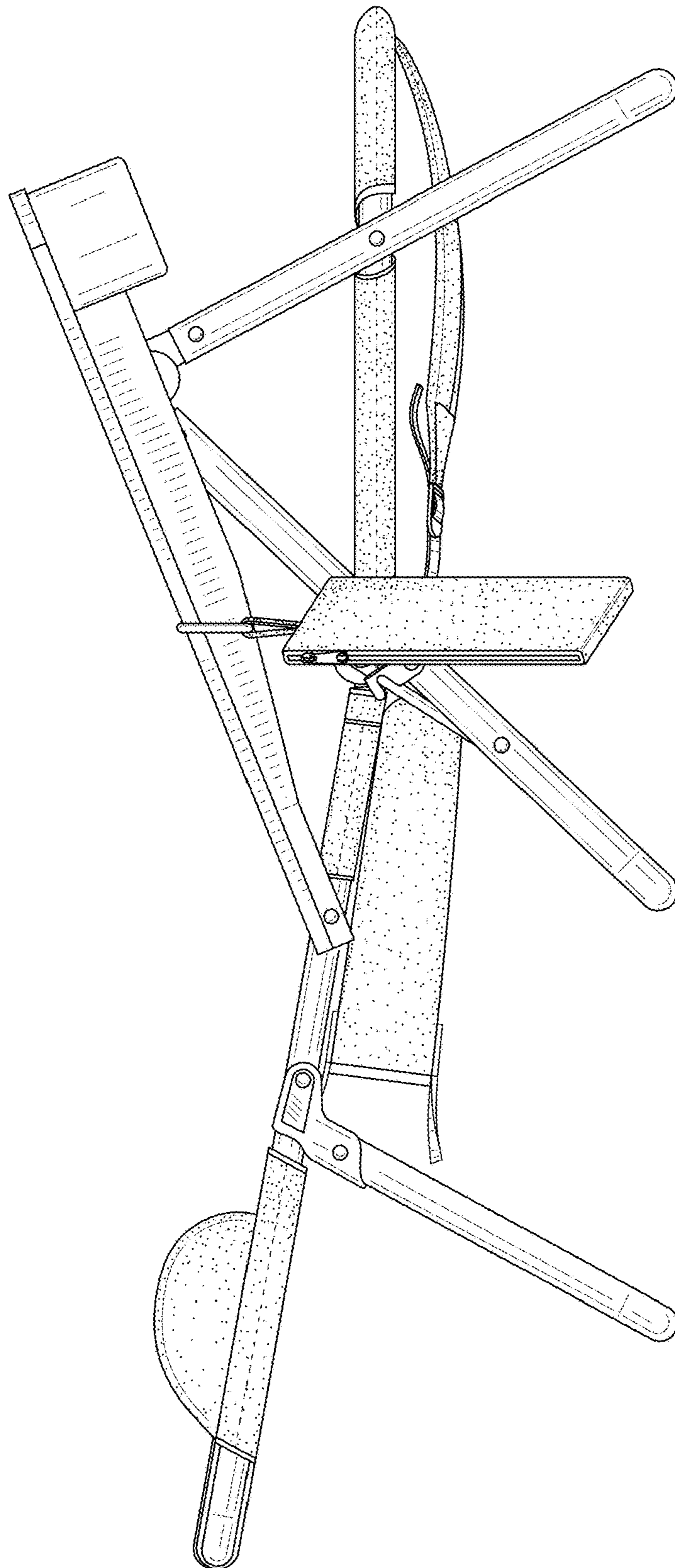


FIG. 9