



US00D844337S

(12) **United States Design Patent** (10) **Patent No.:** **US D844,337 S**  
**Yang** (45) **Date of Patent:** **\*\* Apr. 2, 2019**

(54) **DINING CHAIR**

2002/0212; B60N 2002/0216; B60N  
2002/022; A47C 3/00; A47C 3/02; A47C  
3/025; A47C 3/20

(71) Applicant: **Xiamen Baby Pretty Products Co.,  
Ltd., Xiamen (CN)**

See application file for complete search history.

(72) Inventor: **Jianbo Yang, Xiamen (CN)**

(56) **References Cited**

(73) Assignee: **Xiamen Baby Pretty Products Co.,  
Ltd., Xiamen (CN)**

U.S. PATENT DOCUMENTS

(\*\*) Term: **15 Years**

D365,936 S *	1/1996	Haut .....	D6/339
D619,818 S *	7/2010	Bergkvist .....	D6/339
D646,495 S *	10/2011	Shaw .....	D6/339
D694,029 S *	11/2013	Yeh .....	D6/339
D722,779 S *	2/2015	Gov .....	D6/339
D742,656 S *	11/2015	Ho .....	D6/339
D807,656 S *	1/2018	Cheng .....	D6/339

(21) Appl. No.: **29/641,270**

(22) Filed: **Mar. 20, 2018**

\* cited by examiner

(30) **Foreign Application Priority Data**

Jan. 10, 2018 (CN) ..... 2018 3 0011342

*Primary Examiner* — Abraham Bahta

(51) **LOC (11) Cl.** ..... **06-01**

(74) *Attorney, Agent, or Firm* — Gokalp Bayramoglu

(52) **U.S. Cl.**  
USPC ..... **D6/339**

(57) **CLAIM**

(58) **Field of Classification Search**

The ornamental design a dining chair, as shown and described.

USPC ..... D6/333-336, 339, 344, 702, 716,  
D6/716.1-716.7; 297/183.1-183.4,  
297/184.13, 184.15, 184.17, 250.1, 255,  
297/256.1, 256.15, 219.12, 463.1;  
D12/129-130, 133; D21/412, 428, 419;  
280/30-31; 5/94, 98.1, 99.1, 101-102,  
5/105, 655, 93.1, 12.1; 24/200

**DESCRIPTION**

CPC ..... A47D 13/02; A47D 13/10; A47D 13/083;  
A47D 1/00; A47D 1/002; A47D 1/004;  
A47D 1/008; A47D 1/04; B60N 2/22;  
B60N 2/24; B60N 2/2821; B60N 2/02;  
B60N 2/10; B60N 2/16; B60N

FIG. 1 is a right side view of a dining chair showing the new design;

FIG. 2 is a front view thereof;

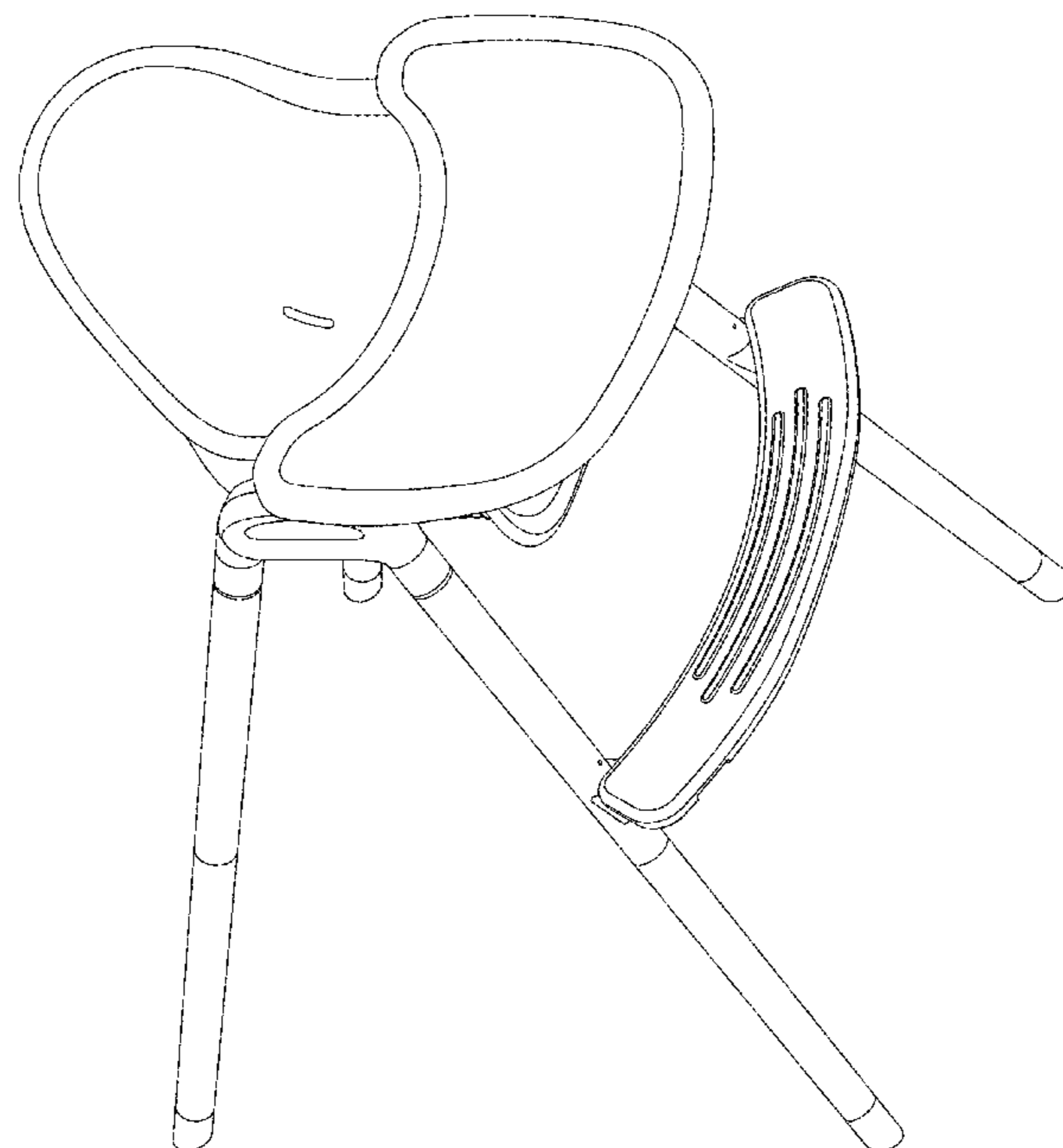
FIG. 3 is a left side view thereof;

FIG. 4 is a rear view thereof;

FIG. 5 is a top view thereof; and,

FIG. 6 is a perspective view thereof.

**1 Claim, 6 Drawing Sheets**



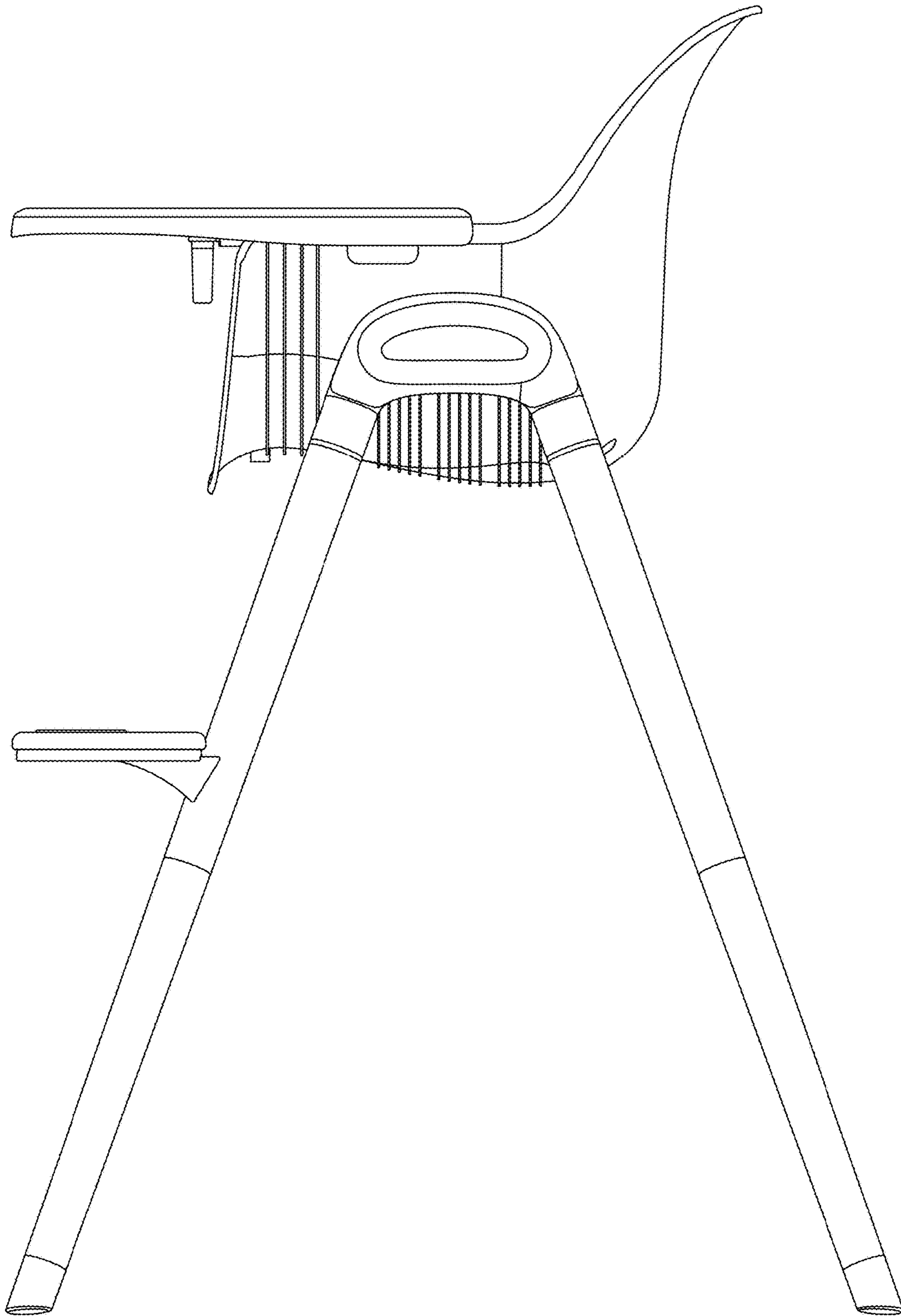


Figure 1

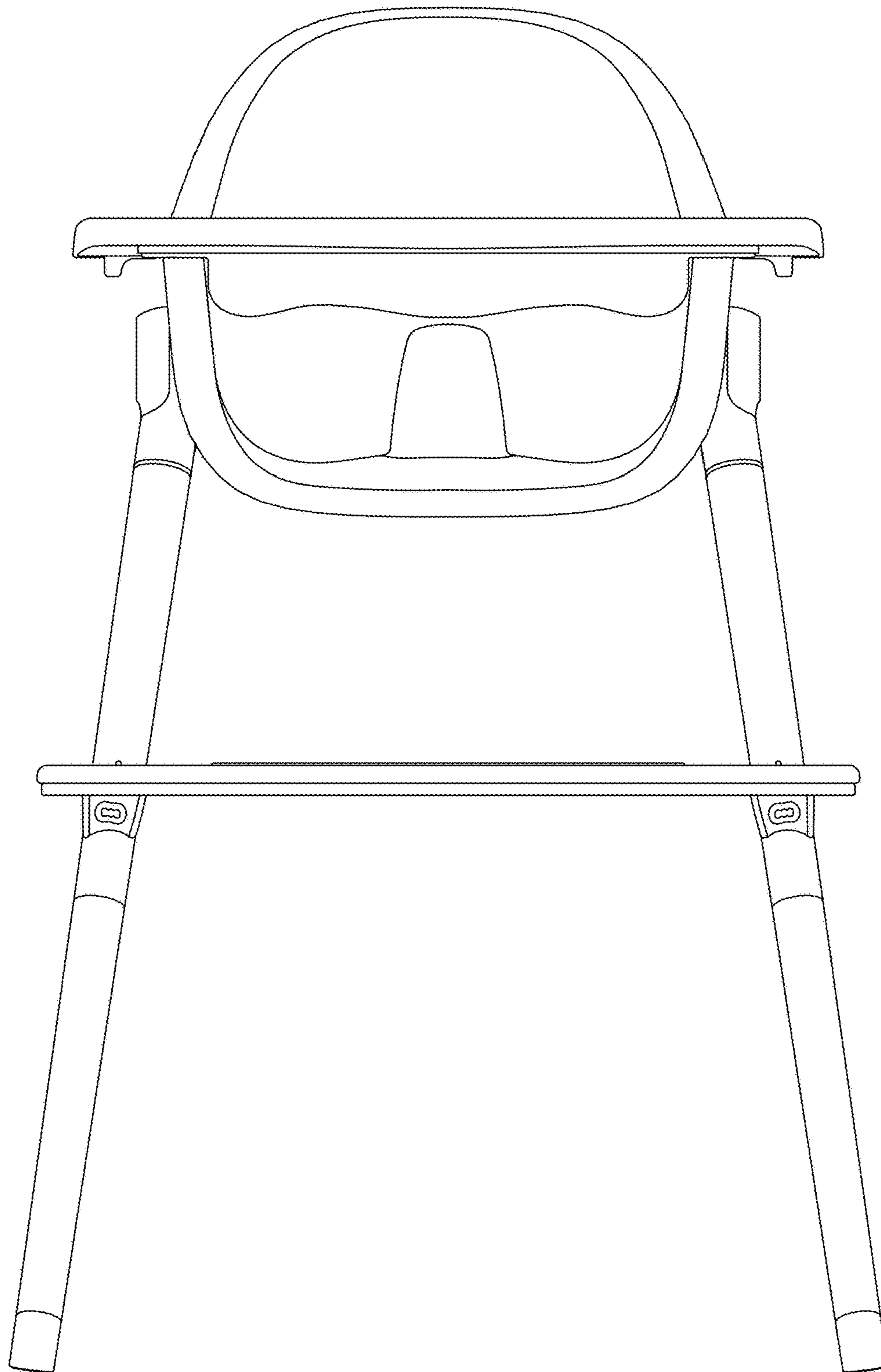


Figure 2

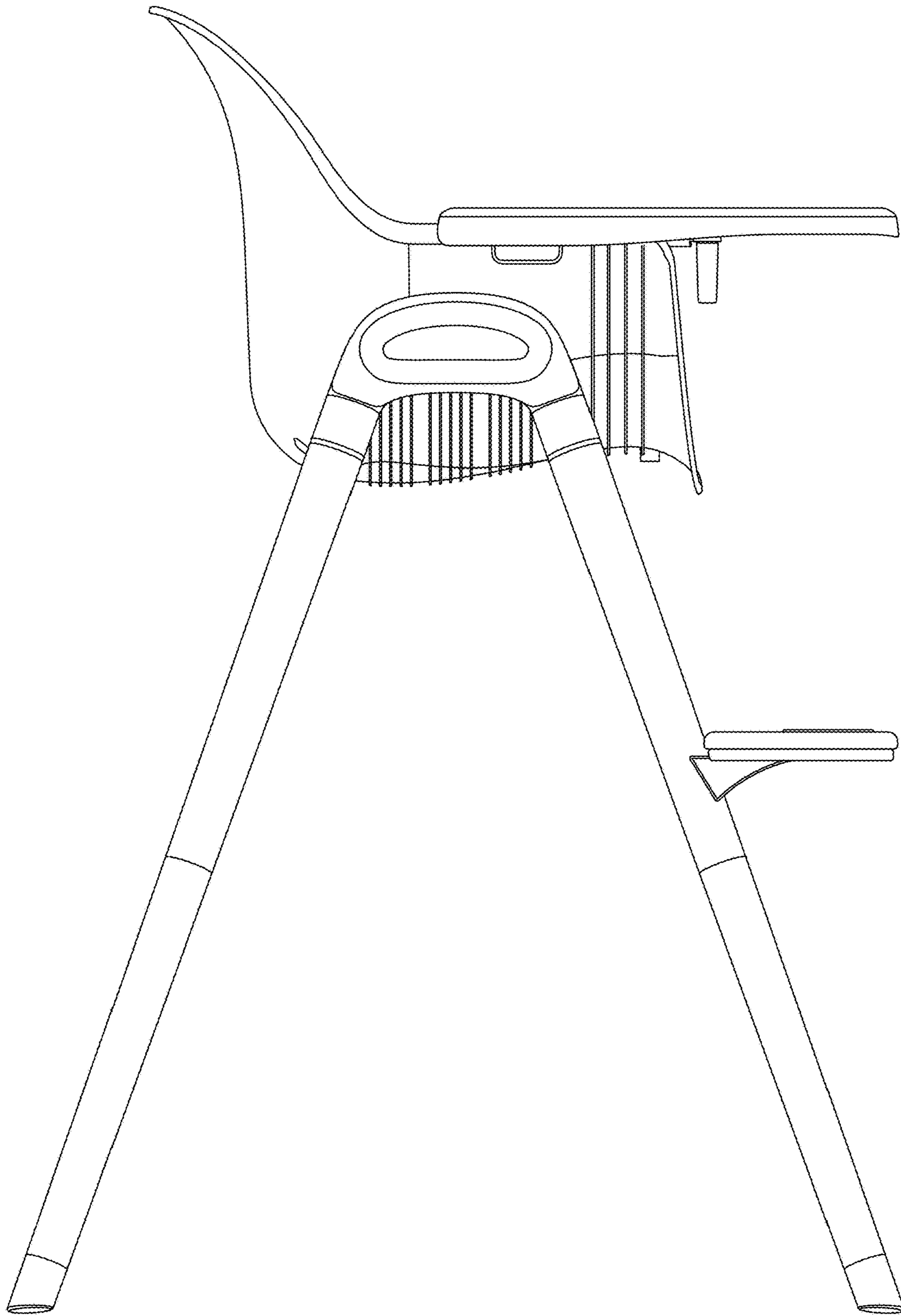


Figure 3

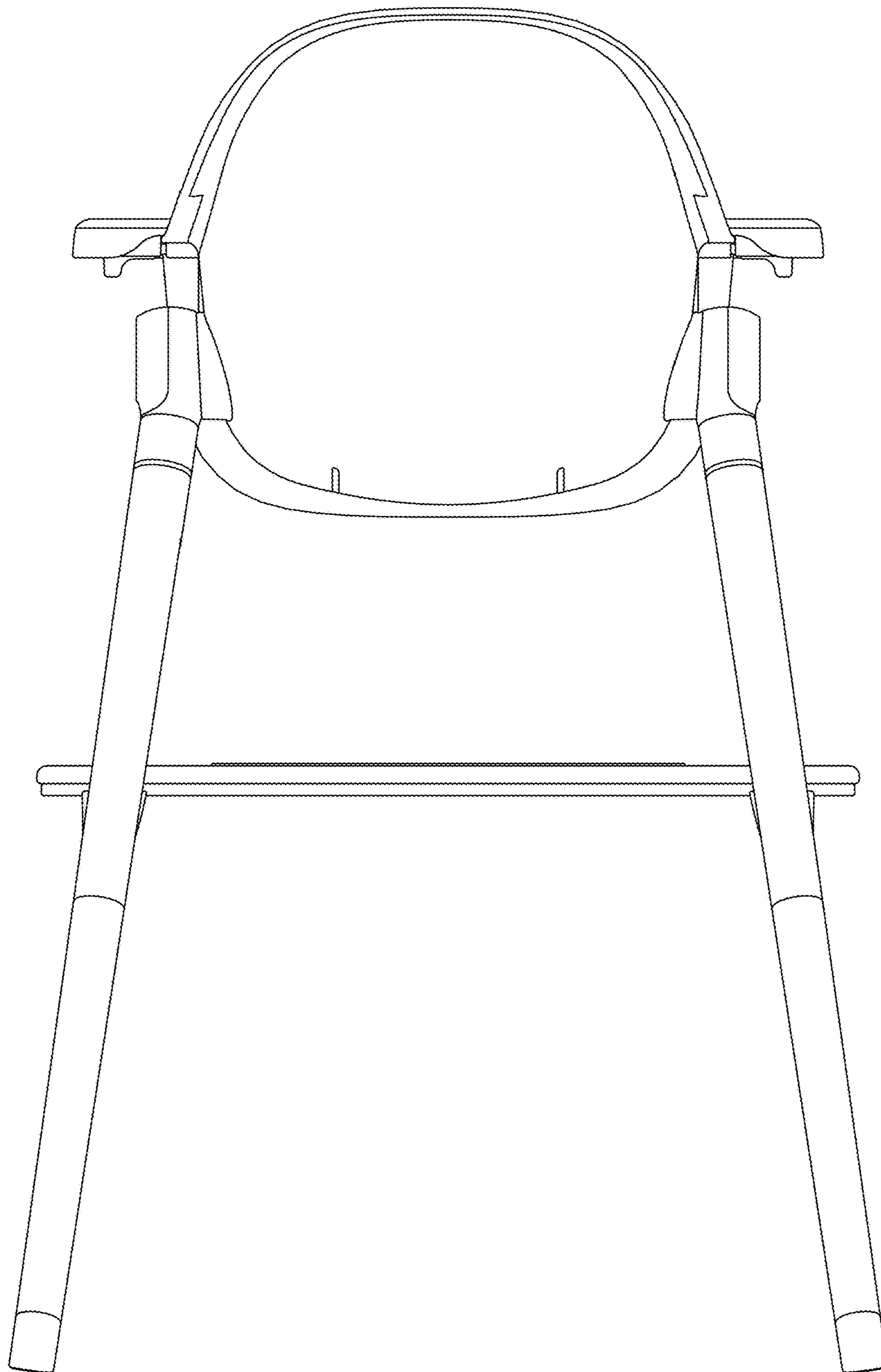


Figure 4

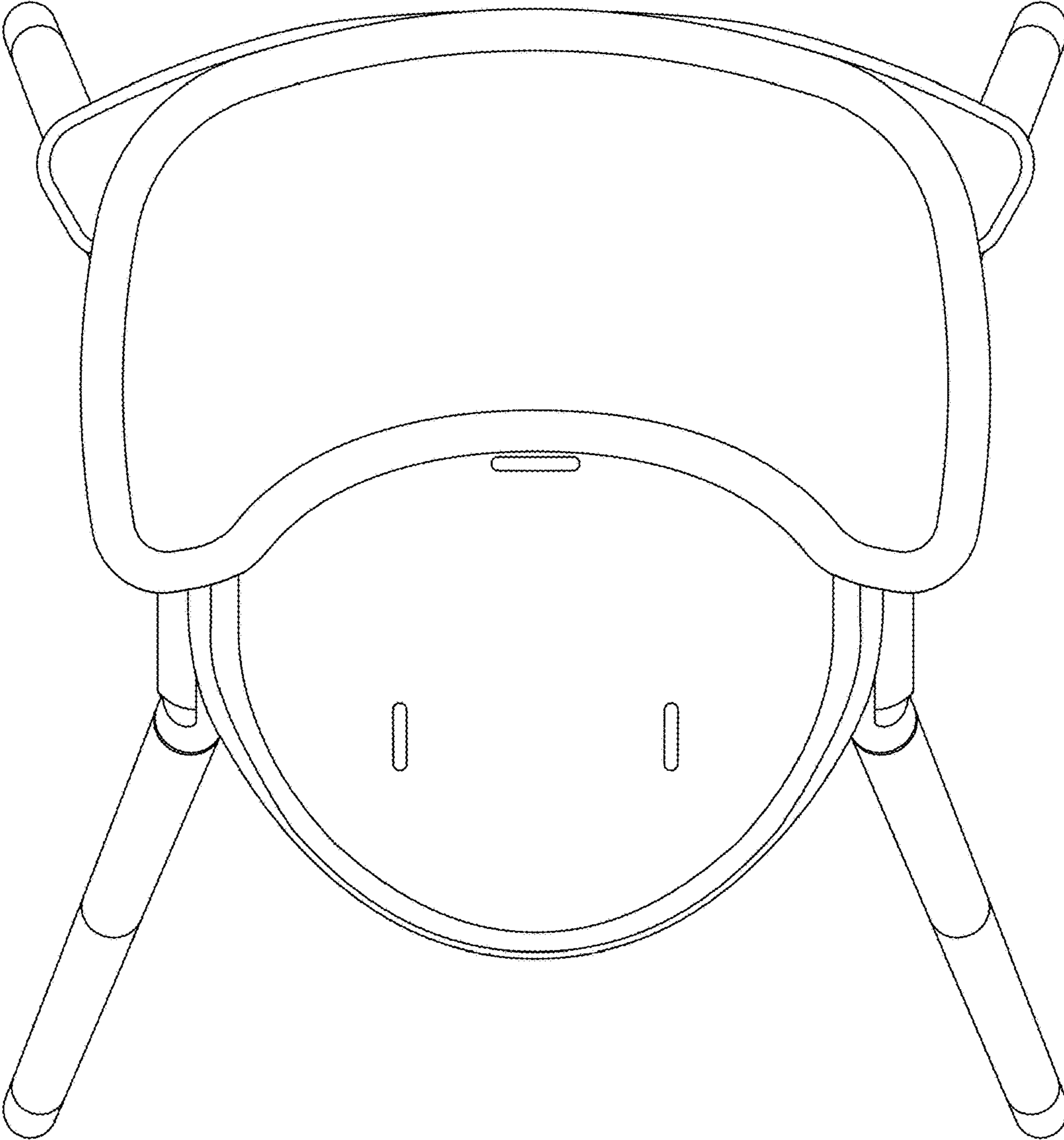


Figure 5



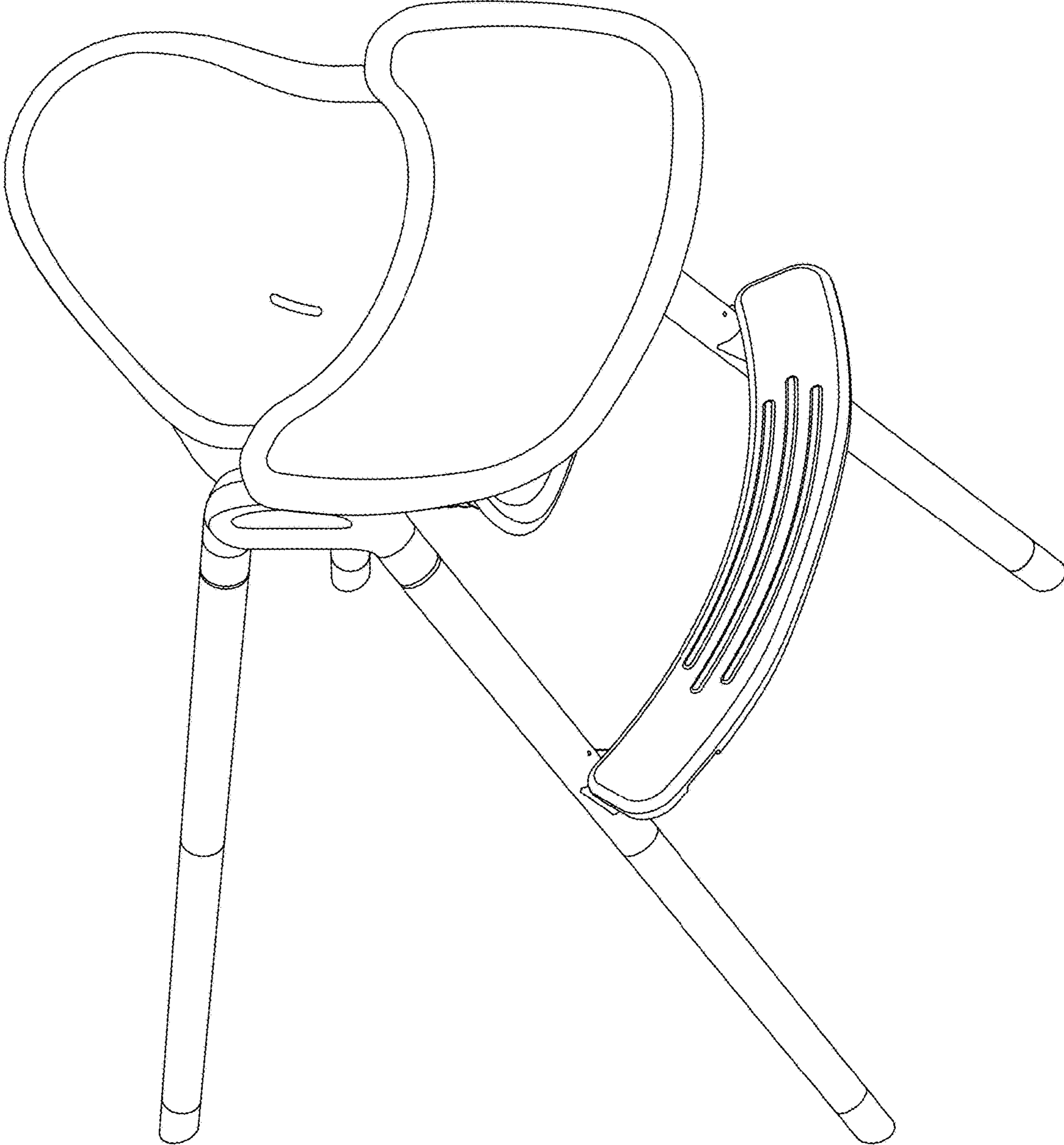


Figure 6