



US00D844336S

(12) **United States Design Patent**
Tran

(10) **Patent No.:** **US D844,336 S**

(45) **Date of Patent:** **** Apr. 2, 2019**

(54) **FOOTWEAR RACK**

(71) Applicant: **Williams-Sonoma, Inc.**, San Francisco, CA (US)

(72) Inventor: **Dan Tran**, San Francisco, CA (US)

(73) Assignee: **Williams-Sonoma, Inc.**, San Francisco, CA (US)

(**) Term: **15 Years**

(21) Appl. No.: **29/617,011**

(22) Filed: **Sep. 11, 2017**

(51) **LOC (11) Cl.** **06-08**

(52) **U.S. Cl.**
USPC **D6/320**; D6/553; D8/373

(58) **Field of Classification Search**
USPC D6/315, 317, 318, 319, 320, 323, 324,
D6/325, 326, 327, 512, 513, 552, 553,
D6/556, 566, 567, 572; D8/373, 355,
D8/377, 380, 381

CPC .. A47F 7/08; A47F 5/08; A47F 5/0846; A47F
5/10; A47B 61/04; A47B 96/061; A47B
47/022; A47B 96/027; A47B 96/028;
A47B 96/024; A47B 96/06

See application file for complete search history.

(56) **References Cited**

U.S. PATENT DOCUMENTS

- 938,998 A * 11/1909 Evans A47G 25/10
248/308
- 3,627,248 A * 12/1971 Nelson A63B 55/10
24/662
- D235,620 S * 7/1975 Forseth 174/38
- D258,476 S * 3/1981 Gilboy D6/573
- D301,686 S * 6/1989 Long 248/115
- D310,478 S * 9/1990 Lang D8/373
- D312,205 S * 11/1990 de Rooij 40/759
- D313,341 S * 1/1991 Gaboriault D28/73

- D482,921 S * 12/2003 White D6/553
- D544,727 S * 6/2007 Valdez D6/552
- D546,610 S * 7/2007 Blanchard D6/567
- D549,467 S * 8/2007 Holt D32/58
- D562,044 S * 2/2008 Brown D6/553
- D638,284 S * 5/2011 Craft D8/373
- D666,478 S * 9/2012 Chou D8/363
- D681,991 S * 5/2013 Willins D6/552
- D709,356 S * 7/2014 Pollard D8/373
- D711,213 S * 8/2014 Schorn D8/373
- D729,618 S * 5/2015 Bastien D8/373
- D730,162 S * 5/2015 Bastien D8/373
- D752,898 S * 4/2016 Lim D6/553
- 2018/0160803 A1 * 6/2018 Wang A47B 61/04

* cited by examiner

Primary Examiner — Lauren R Calve

(74) *Attorney, Agent, or Firm* — Cook Alex Ltd.; R. Blake Johnston

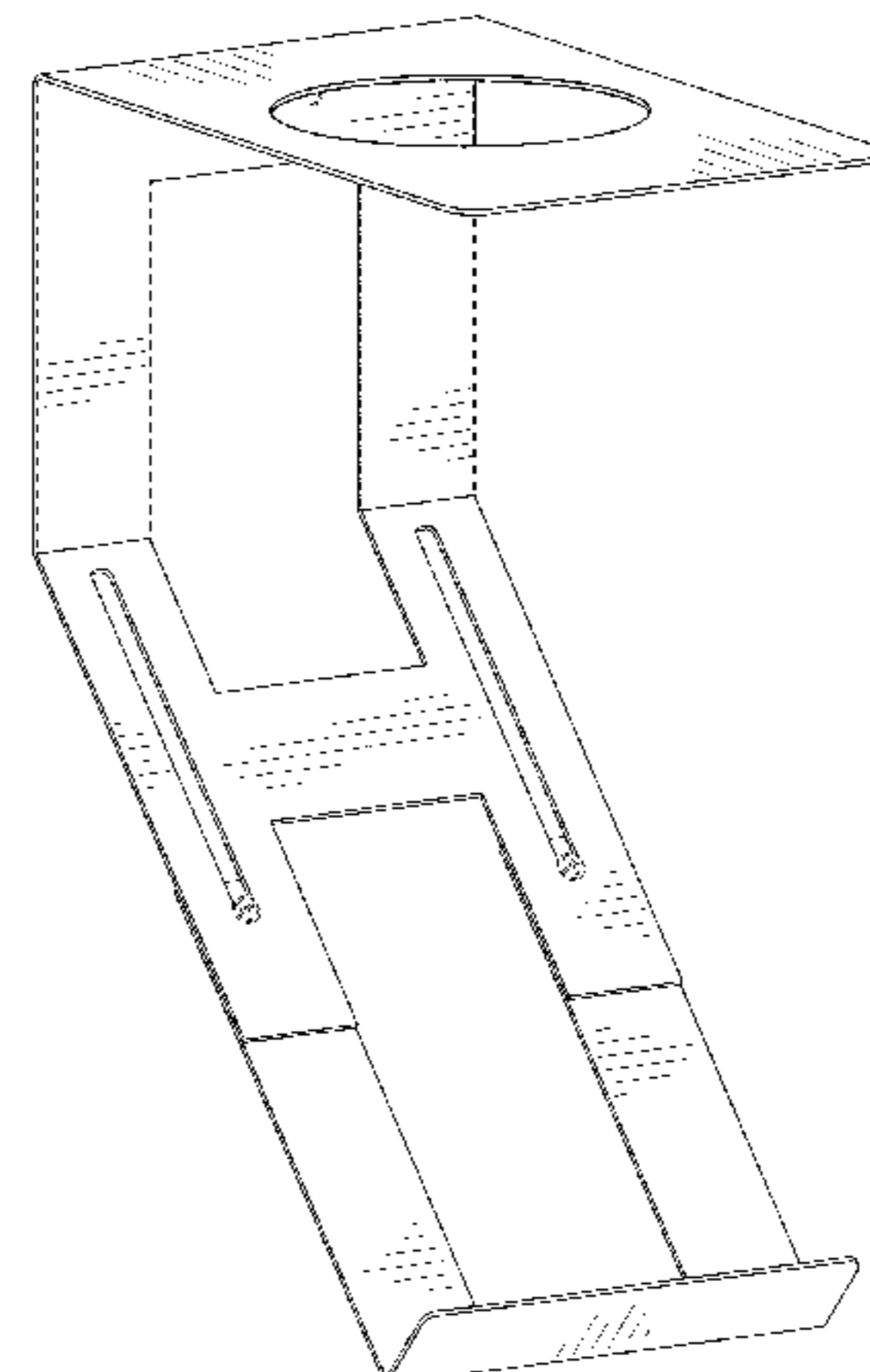
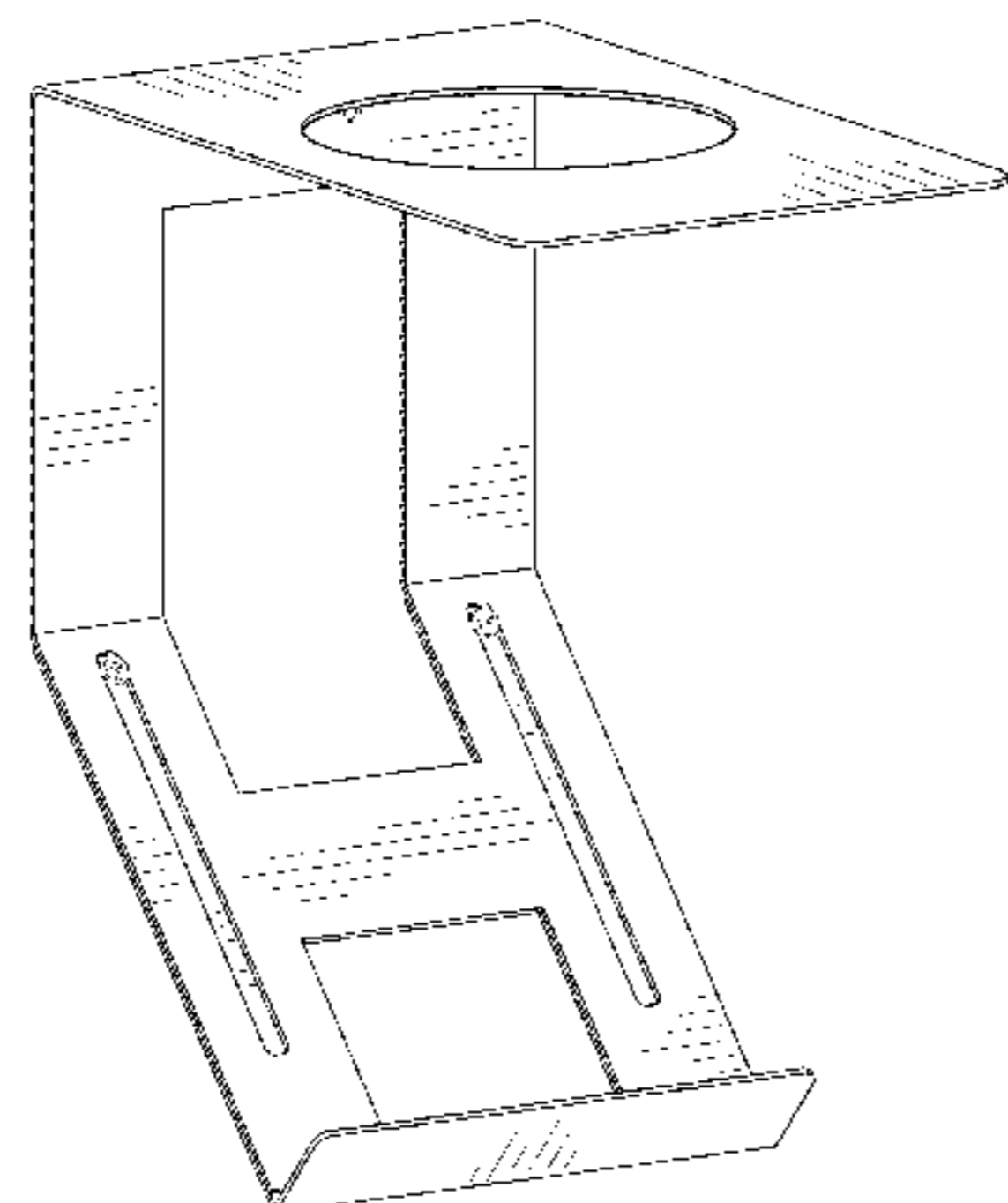
(57) **CLAIM**

The ornamental design for a footwear rack, as shown and described.

DESCRIPTION

FIG. 1 is a perspective view of the footwear rack with a lower portion in a first position;
 FIG. 2 is a front elevational view of the footwear rack;
 FIG. 3 is a rear elevational view of the footwear rack;
 FIG. 4 is a left side elevational view of the footwear rack, the opposite side of which is a mirror image;
 FIG. 5 is a top plan view of the footwear rack;
 FIG. 6 is a bottom plan view of the footwear rack;
 FIG. 7 is a perspective view of the footwear rack with the lower portion in a second position; and,
 FIG. 8 is a perspective view of the footwear rack with the lower portion in a third position.
 The broken lines shown in the drawings are for illustrative purposes only and form no part of the claimed design.

1 Claim, 6 Drawing Sheets



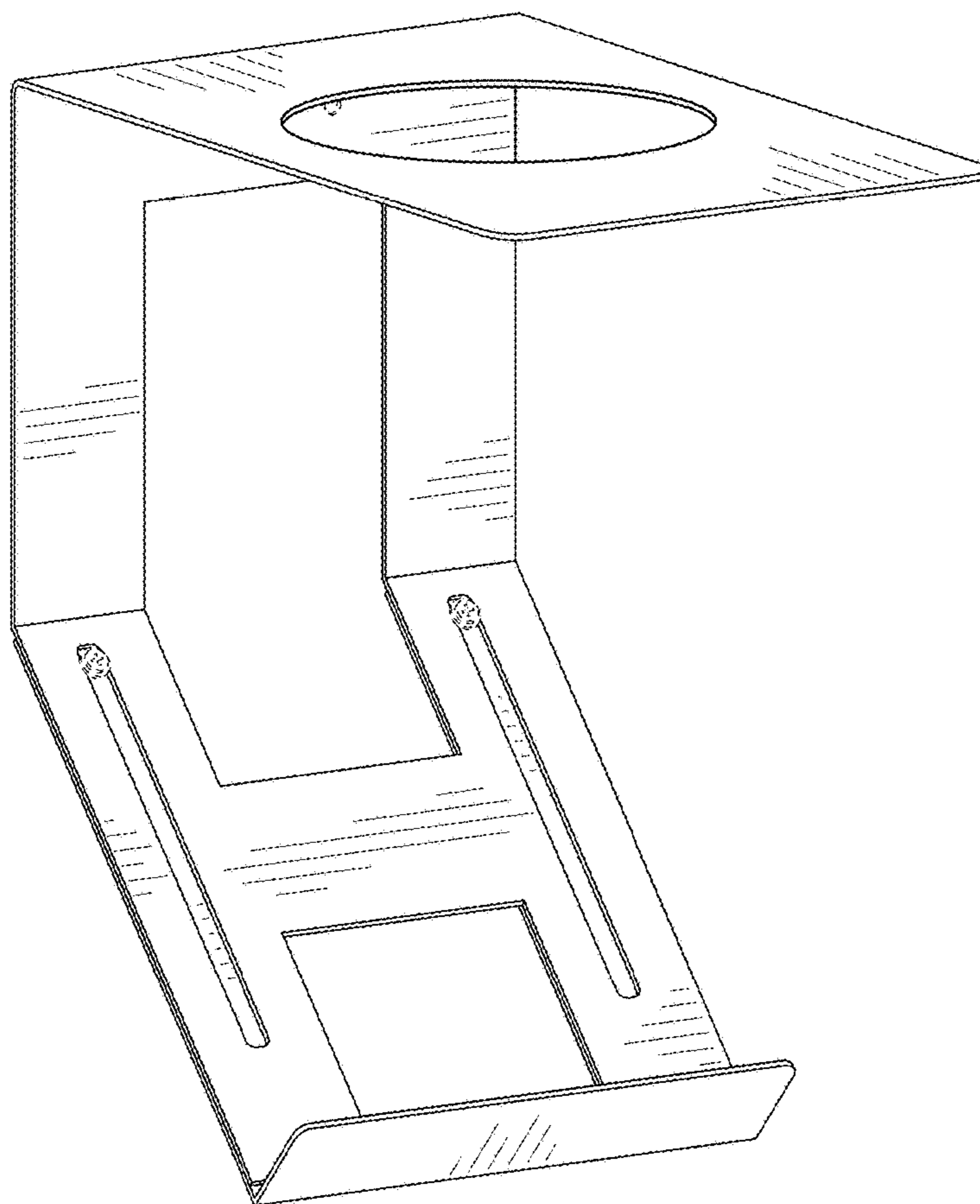


FIG. 1

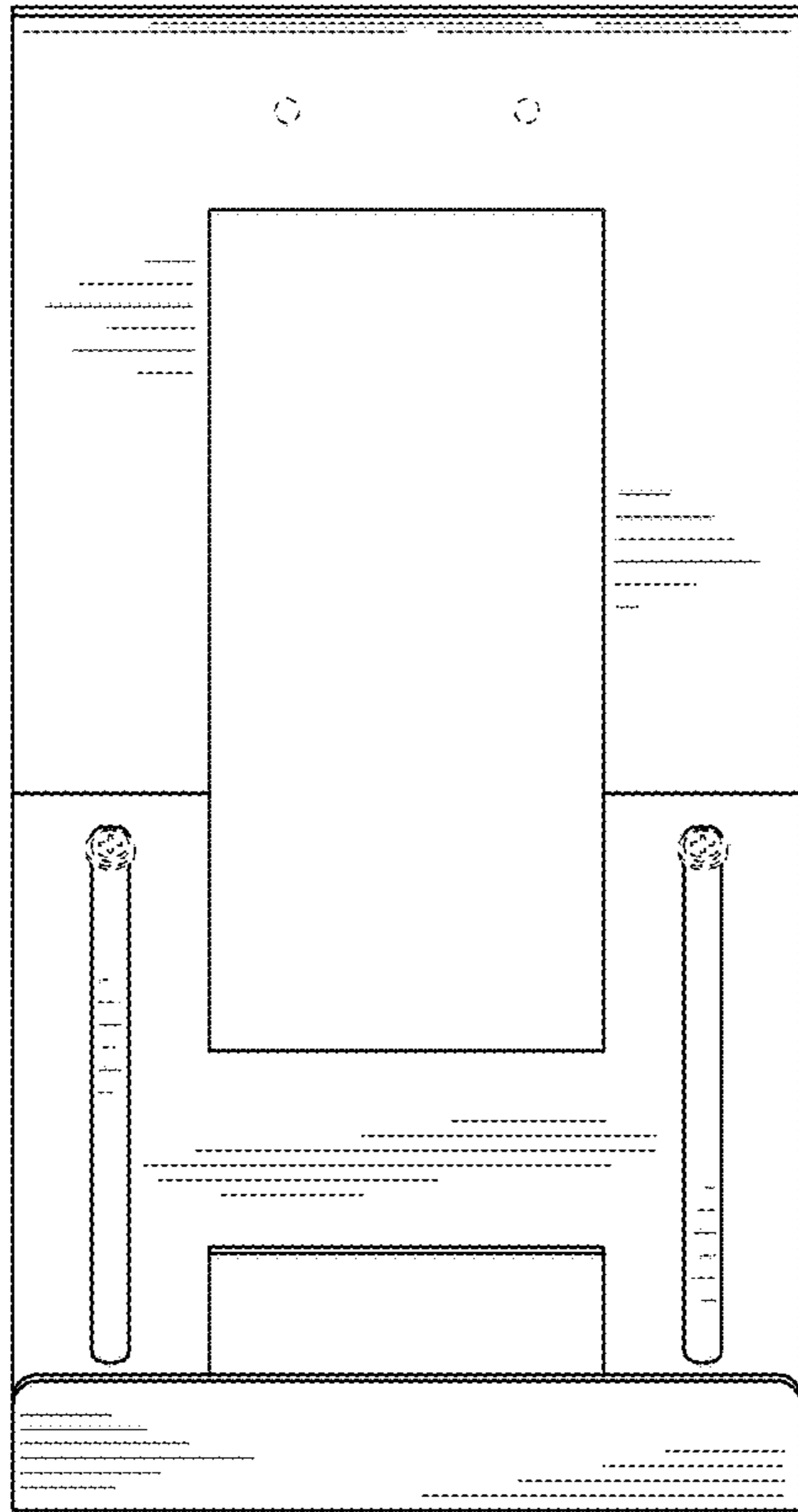


FIG. 2

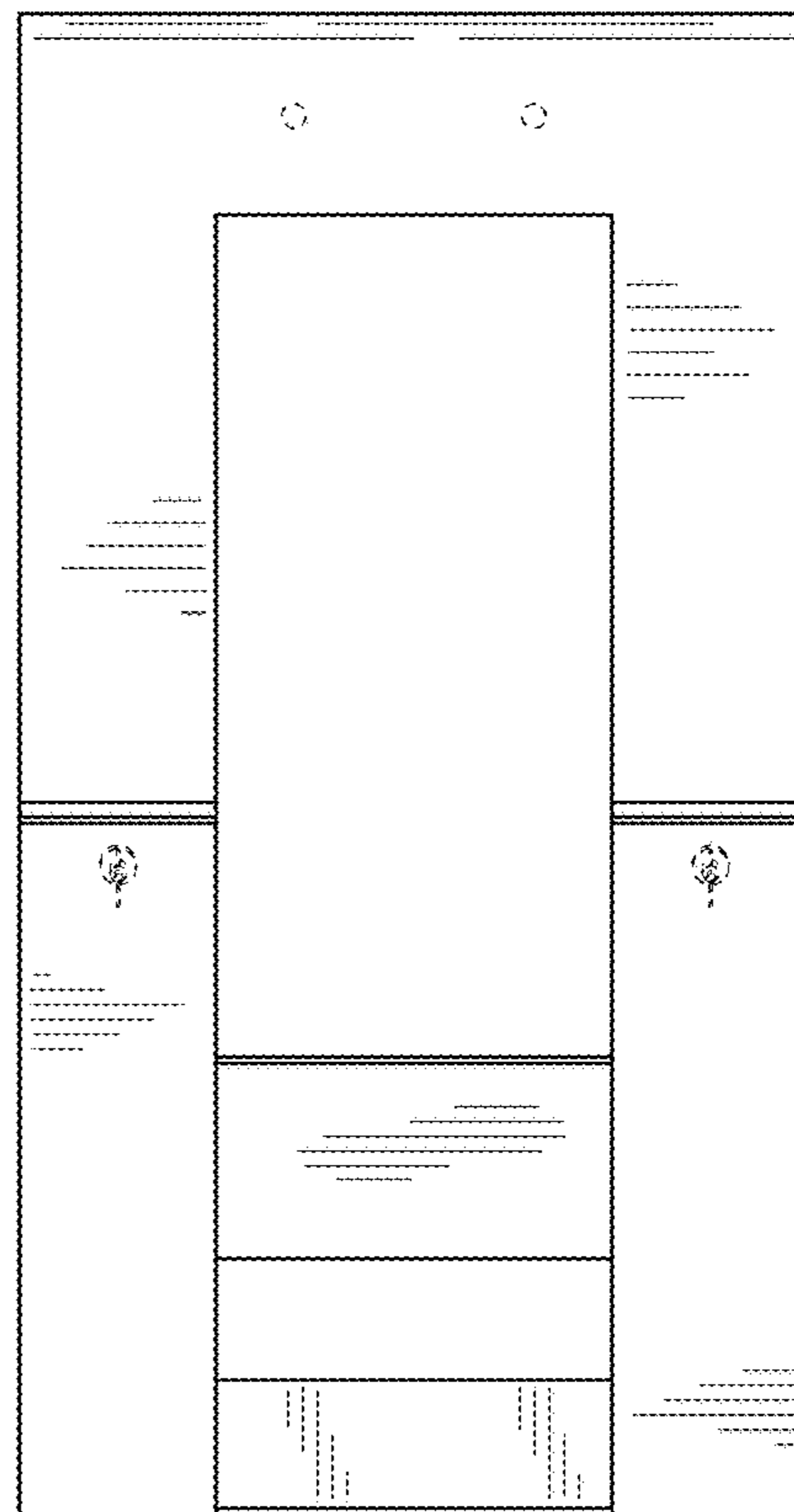


FIG. 3

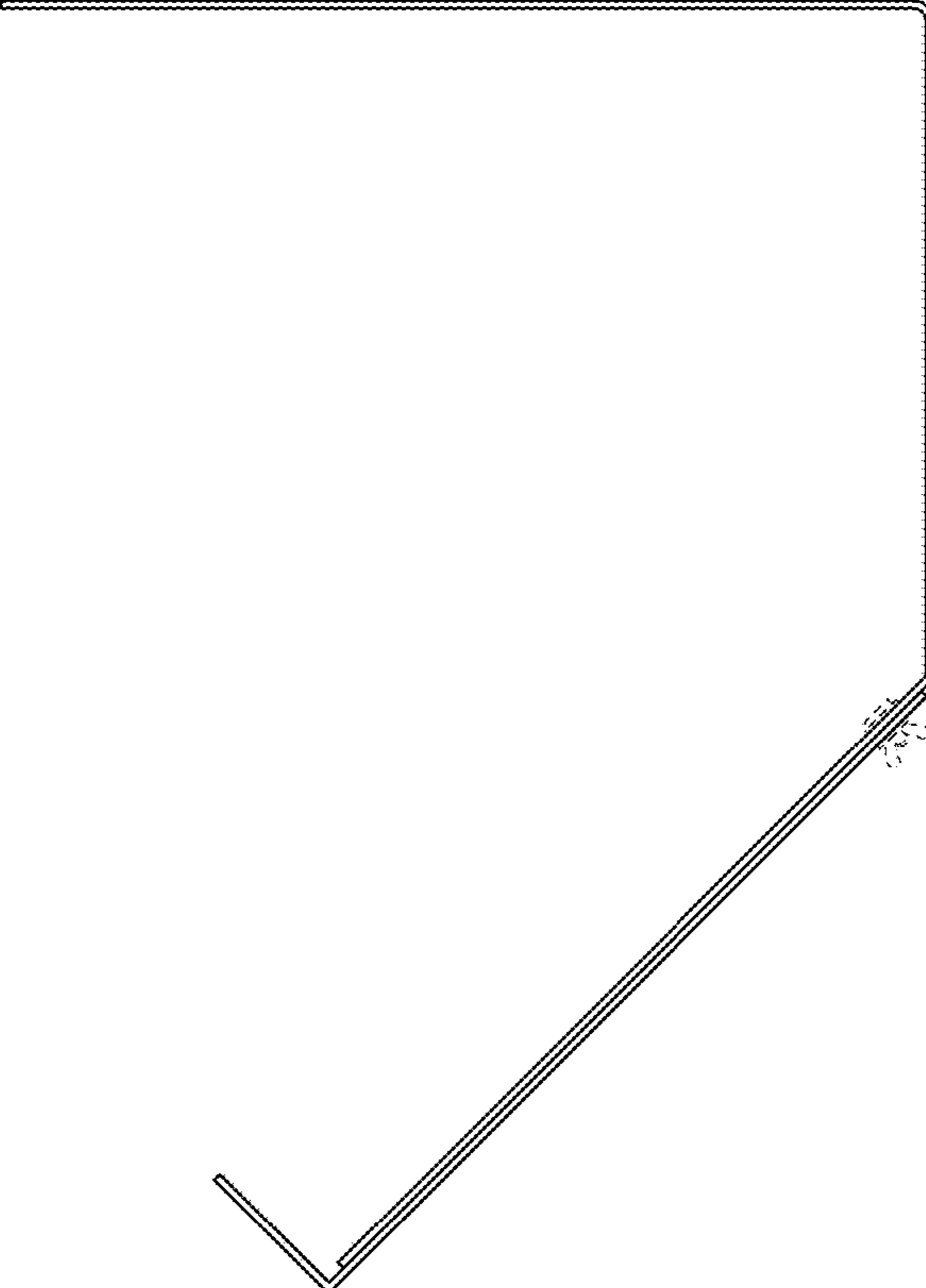


FIG. 4

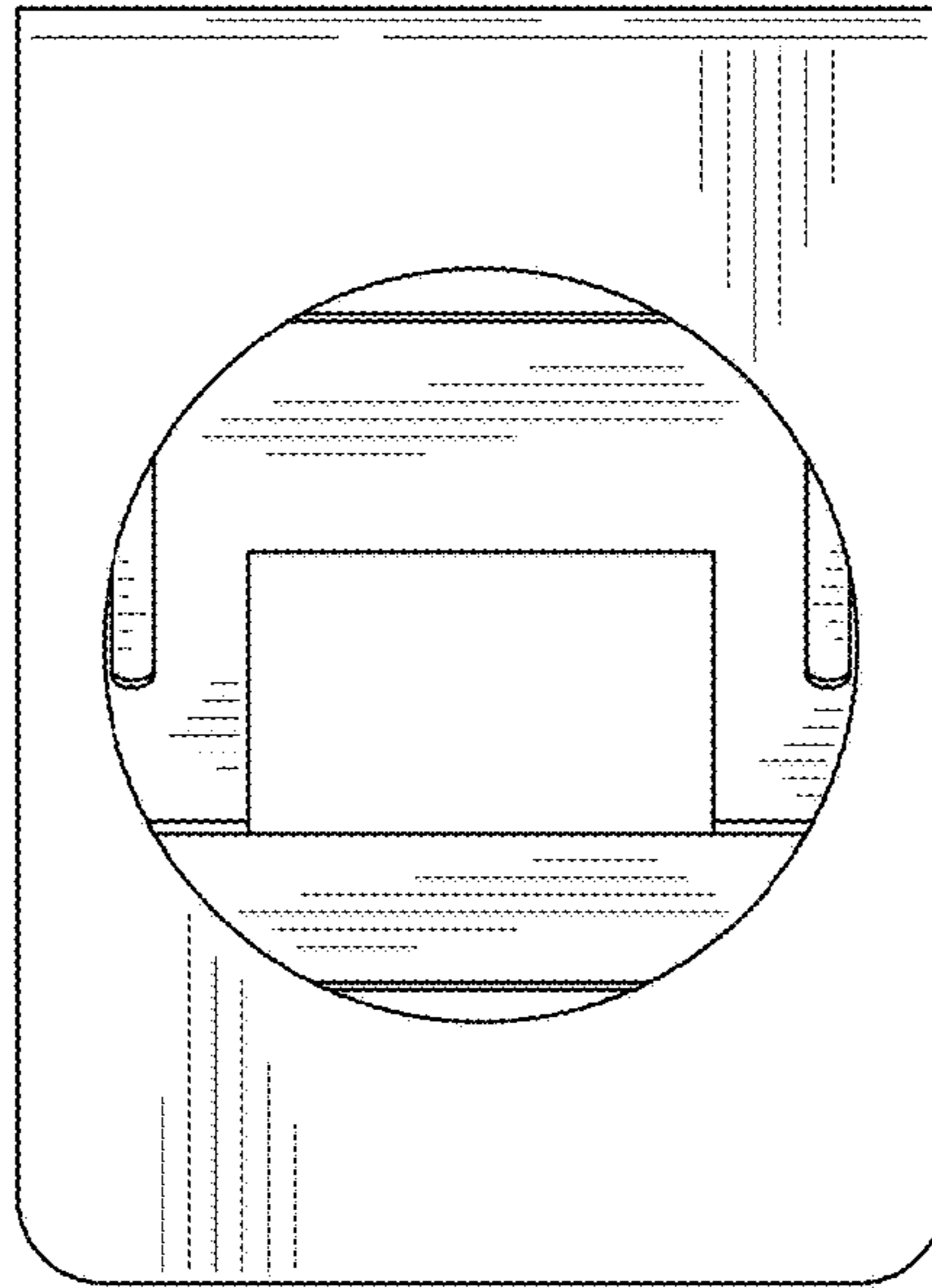


FIG. 5

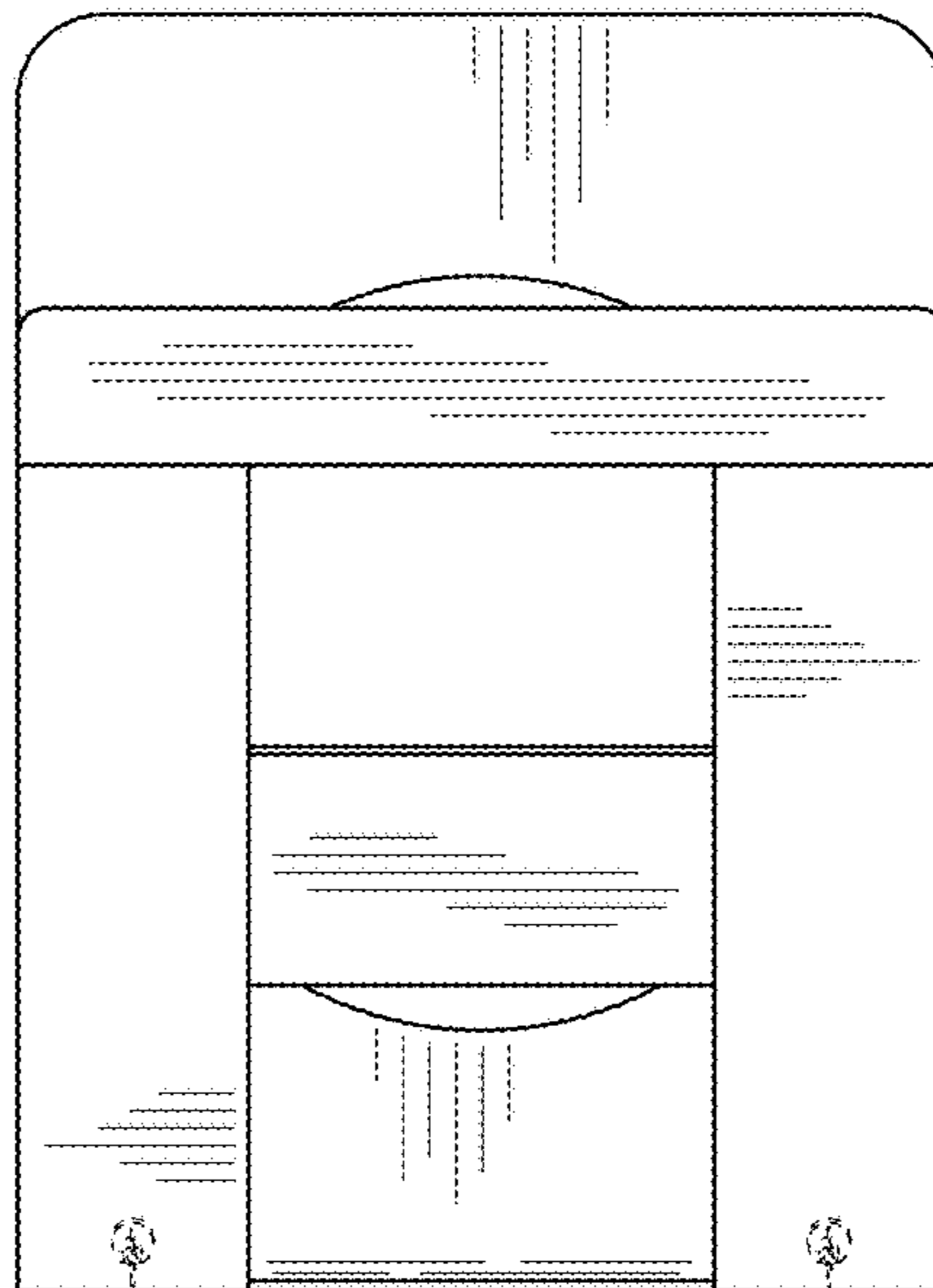


FIG. 6

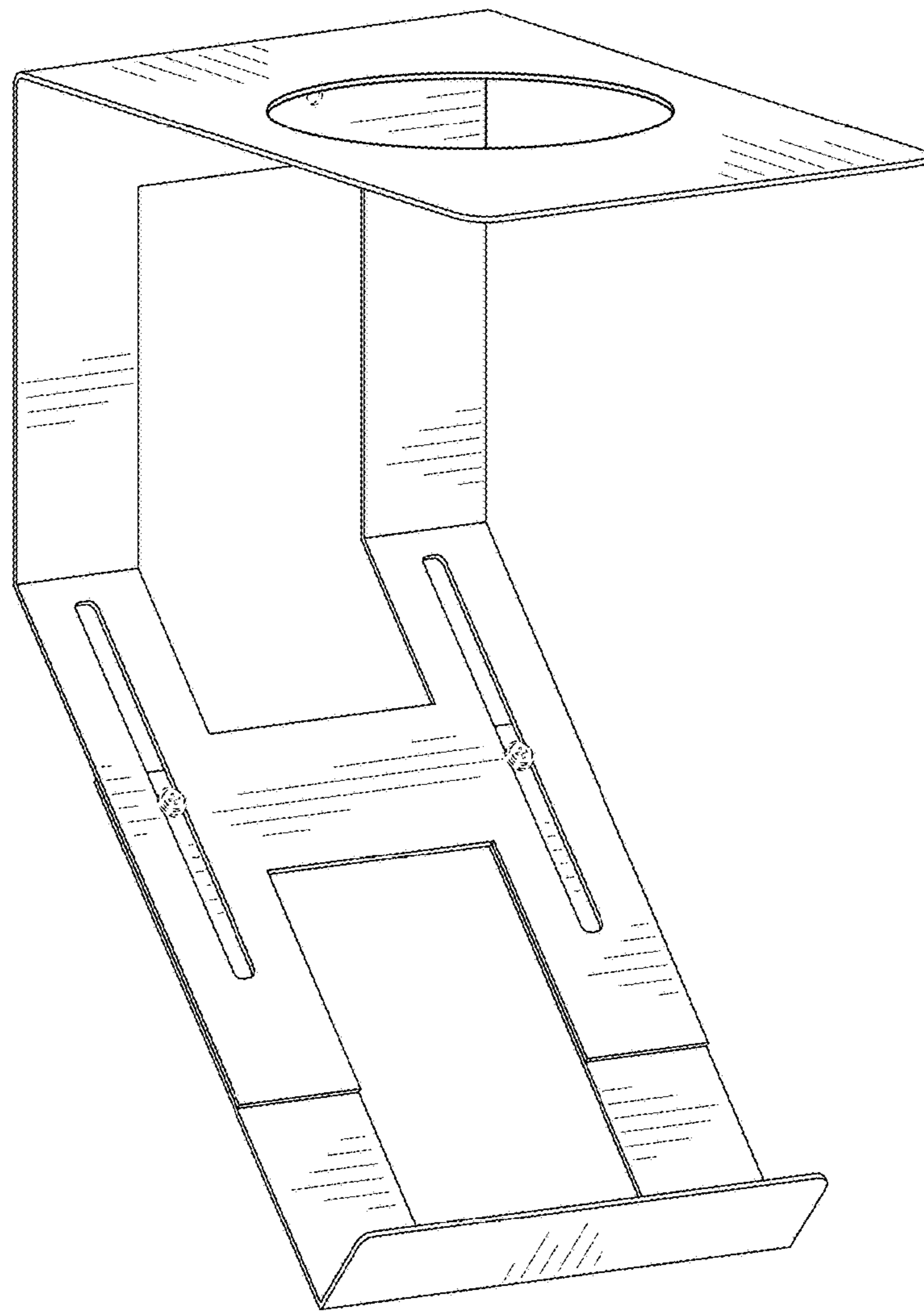


FIG. 7

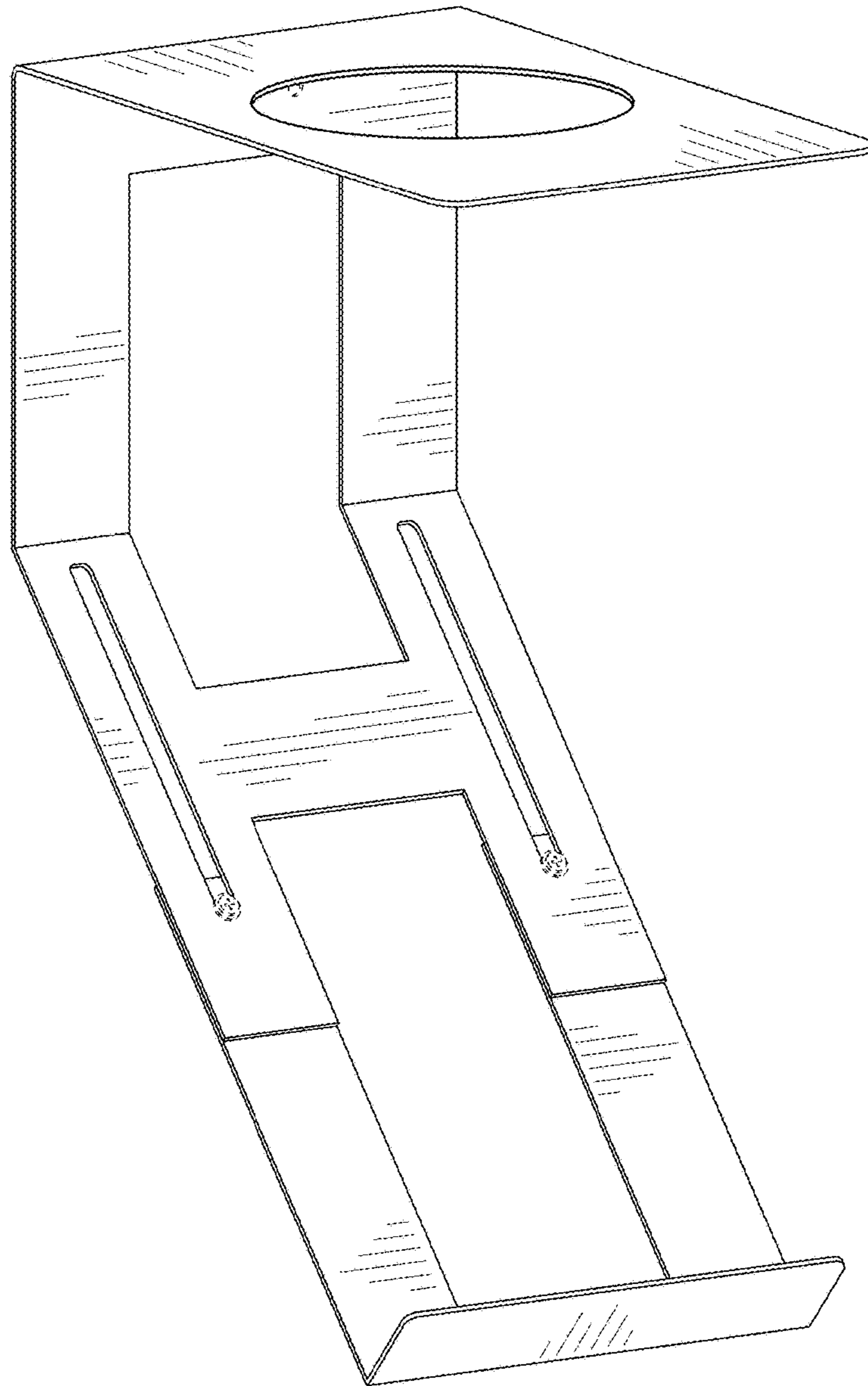


FIG. 8