



US00D844328S

(12) **United States Design Patent** (10) **Patent No.:** **US D844,328 S**
Dittrich et al. (45) **Date of Patent:** **** Apr. 2, 2019**

- (54) **BASKET**
- (71) Applicant: **Spectrum Diversified Designs, LLC**,
Streetsboro, OH (US)
- (72) Inventors: **Megan Dittrich**, Twinsburg, OH (US);
Aaron D. Goodman, Beachwood, OH (US)
- (73) Assignee: **Spectrum Diversified Designs, LLC**,
Streetsboro, OH (US)
- (**) Term: **15 Years**
- (21) Appl. No.: **29/633,594**
- (22) Filed: **Jan. 15, 2018**
- (51) **LOC (11) Cl.** **03-01**
- (52) **U.S. Cl.**
USPC **D3/306**
- (58) **Field of Classification Search**
USPC D3/304, 306, 315; D7/550.1, 554.2,
D7/554.3; D19/75, 77, 78, 81
CPC A47G 19/12; A47G 23/06; A47G 21/08;
A47J 47/14
See application file for complete search history.

D597,310 S *	8/2009	Knutson	D3/306
D604,105 S *	11/2009	Metcalfe	D7/388
D616,254 S *	5/2010	Goodman	D7/601
D751,186 S *	3/2016	Romzek	D23/410
D765,475 S *	9/2016	Khaitan	D7/587
D776,984 S *	1/2017	Goodman	D7/601
D784,771 S *	4/2017	Goodman et al.	
D786,016 S *	5/2017	Goodman	D7/500
D810,438 S *	2/2018	Romzek	D3/306
D818,777 S *	5/2018	Goodman	D7/601

* cited by examiner

Primary Examiner — Kelley A Donnelly

(74) *Attorney, Agent, or Firm* — Renner, Otto, Boisselle and Sklar, LLP

(57) **CLAIM**

The ornamental design for a basket, as shown and described.

DESCRIPTION

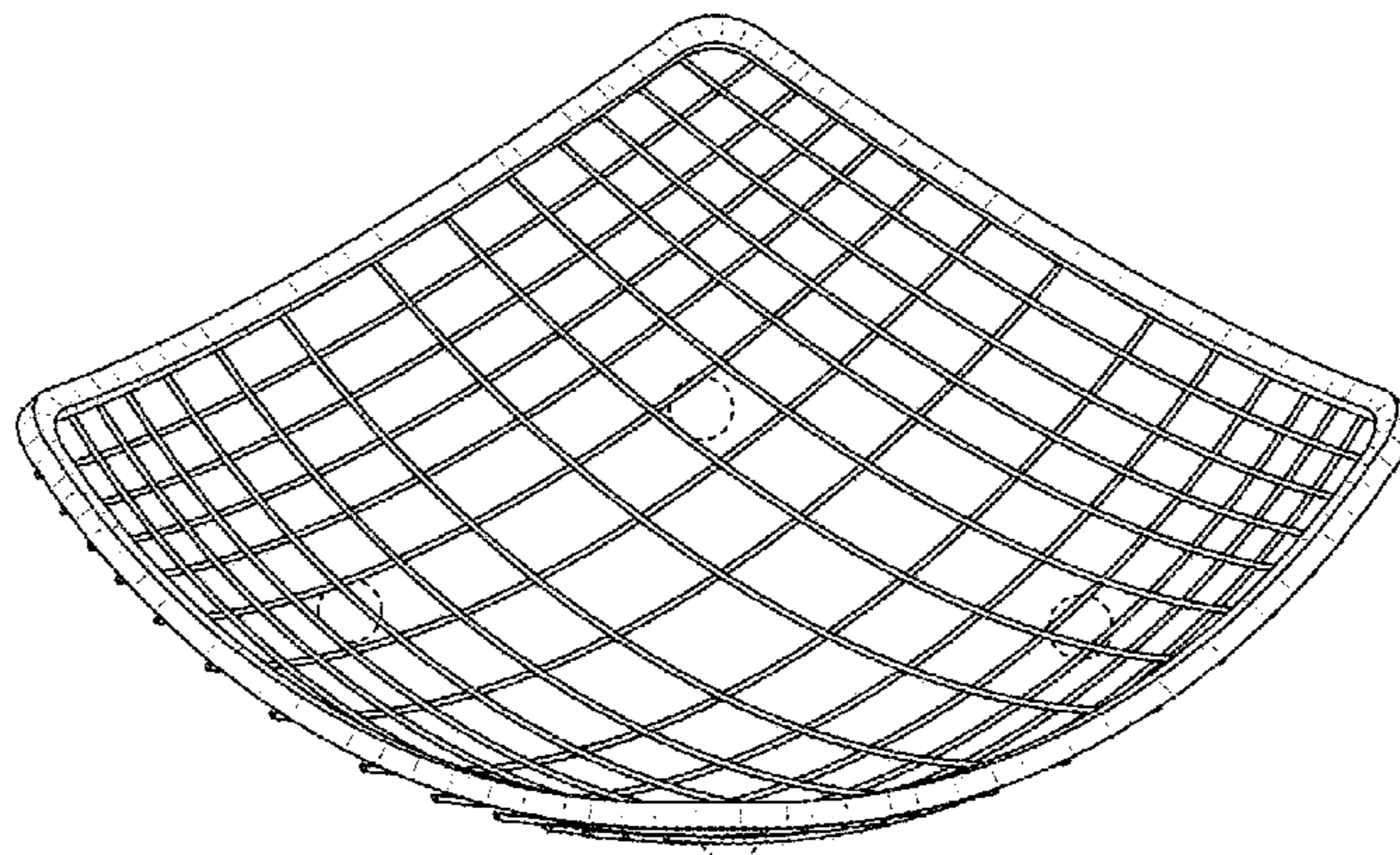
FIG. 1 is a top, right, front perspective view of a first embodiment of a basket showing our new design;
 FIG. 2 is a front elevation view thereof, the rear elevation view being identical thereto;
 FIG. 3 is a right side elevation view thereof, the left side elevation view being identical thereto;
 FIG. 4 is top plan view thereof;
 FIG. 5 is a bottom plan view thereof;
 FIG. 6 is a top, right, front perspective view of a second embodiment of a basket showing our new design;
 FIG. 7 is a front elevation view thereof;
 FIG. 8 is a rear elevation view thereof;
 FIG. 9 is a right side elevation view thereof;
 FIG. 10 is a left side elevation view thereof;
 FIG. 11 is a top plan view thereof; and,
 FIG. 12 is a bottom plan view thereof.
 The broken line showing represents unclaimed portions of the article and forms no part of the claimed design.

1 Claim, 10 Drawing Sheets

(56) **References Cited**

U.S. PATENT DOCUMENTS

D219,205 S *	11/1970	Propst et al.	D3/306
4,250,664 A *	2/1981	Remke	A01G 23/04 206/423
D270,963 S *	10/1983	Hawes	220/485
4,471,596 A *	9/1984	Deaton	F21V 11/06 362/319
D311,953 S *	11/1990	Martinson	D23/398
D358,507 S *	5/1995	Goodman	D23/398
D497,781 S *	11/2004	Joseph	D7/586
D567,030 S *	4/2008	Goodman	D3/306
D568,646 S *	5/2008	Snider	D3/306
D594,284 S *	6/2009	Goodman	D7/500



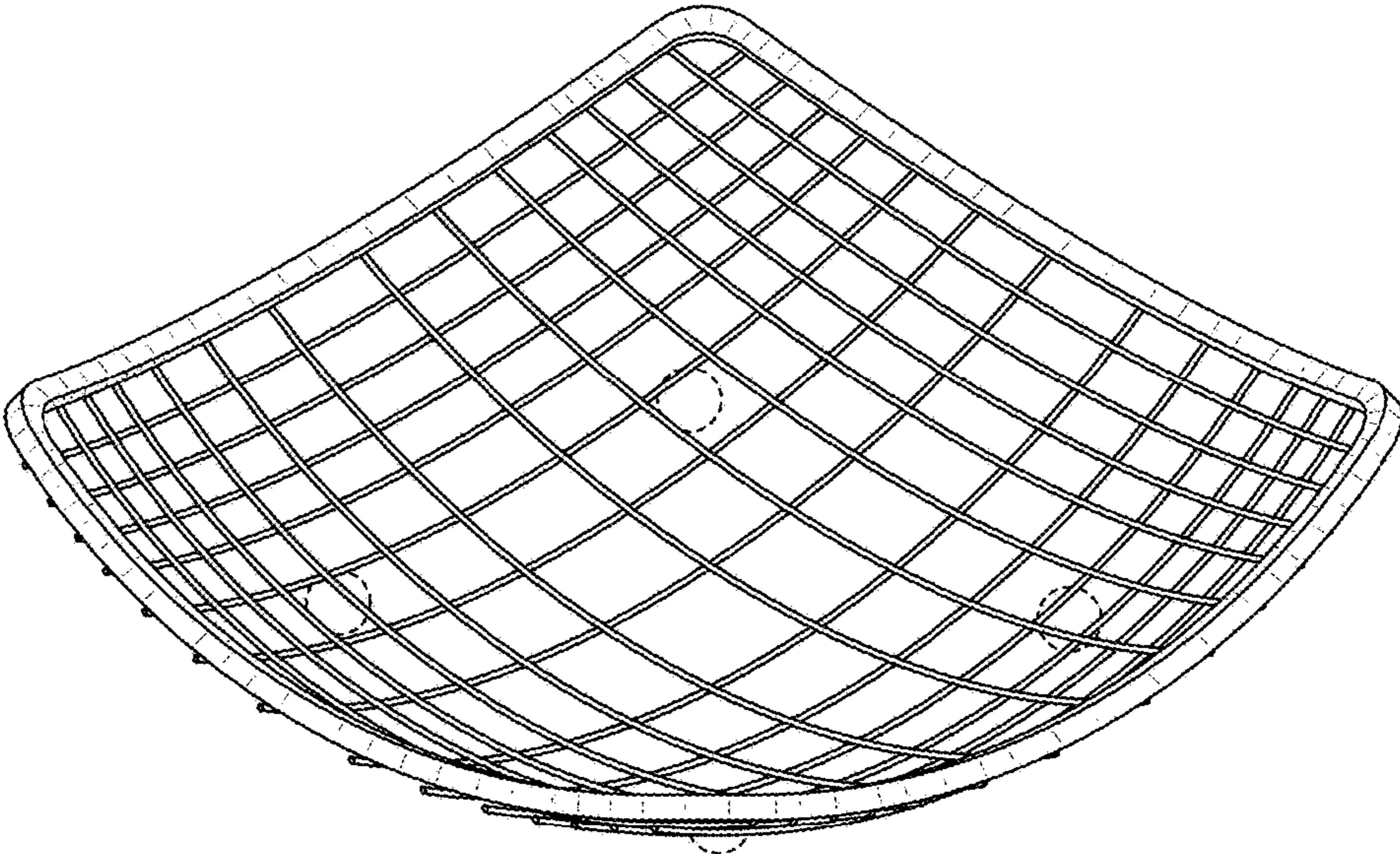


FIG. 1

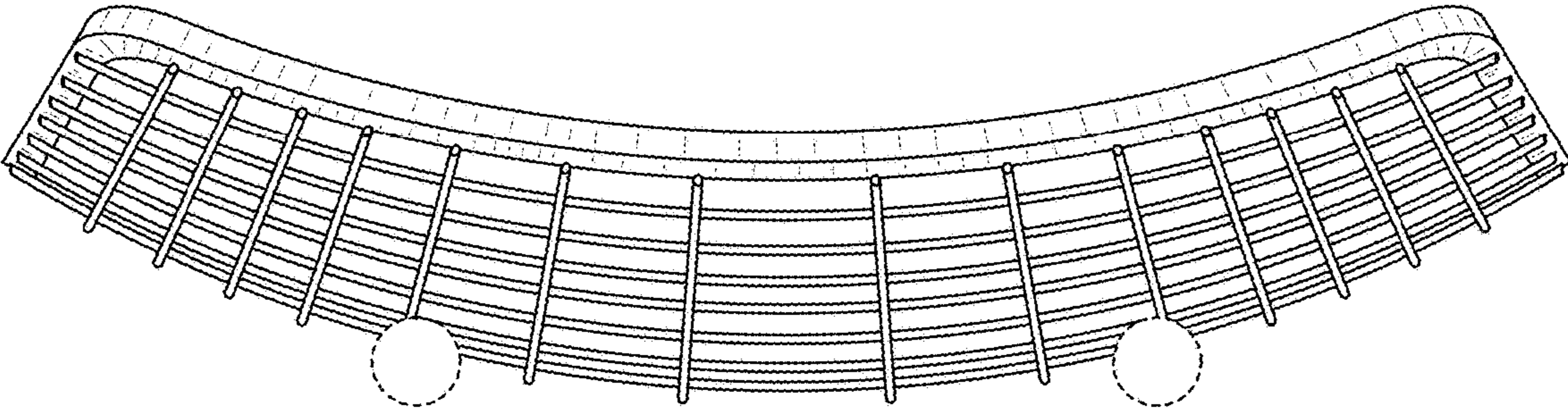


FIG. 2

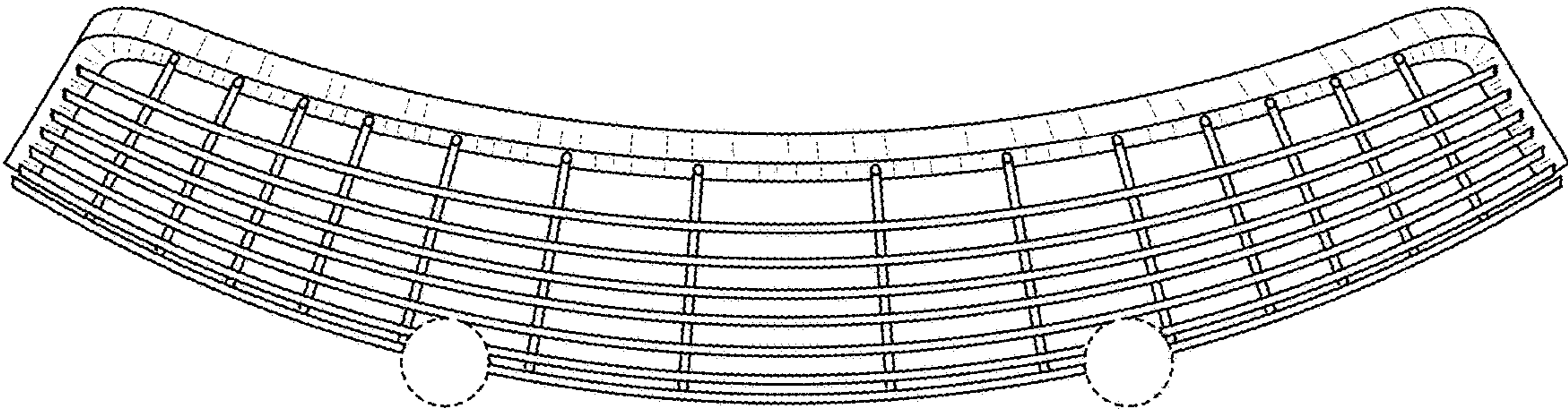


FIG. 3

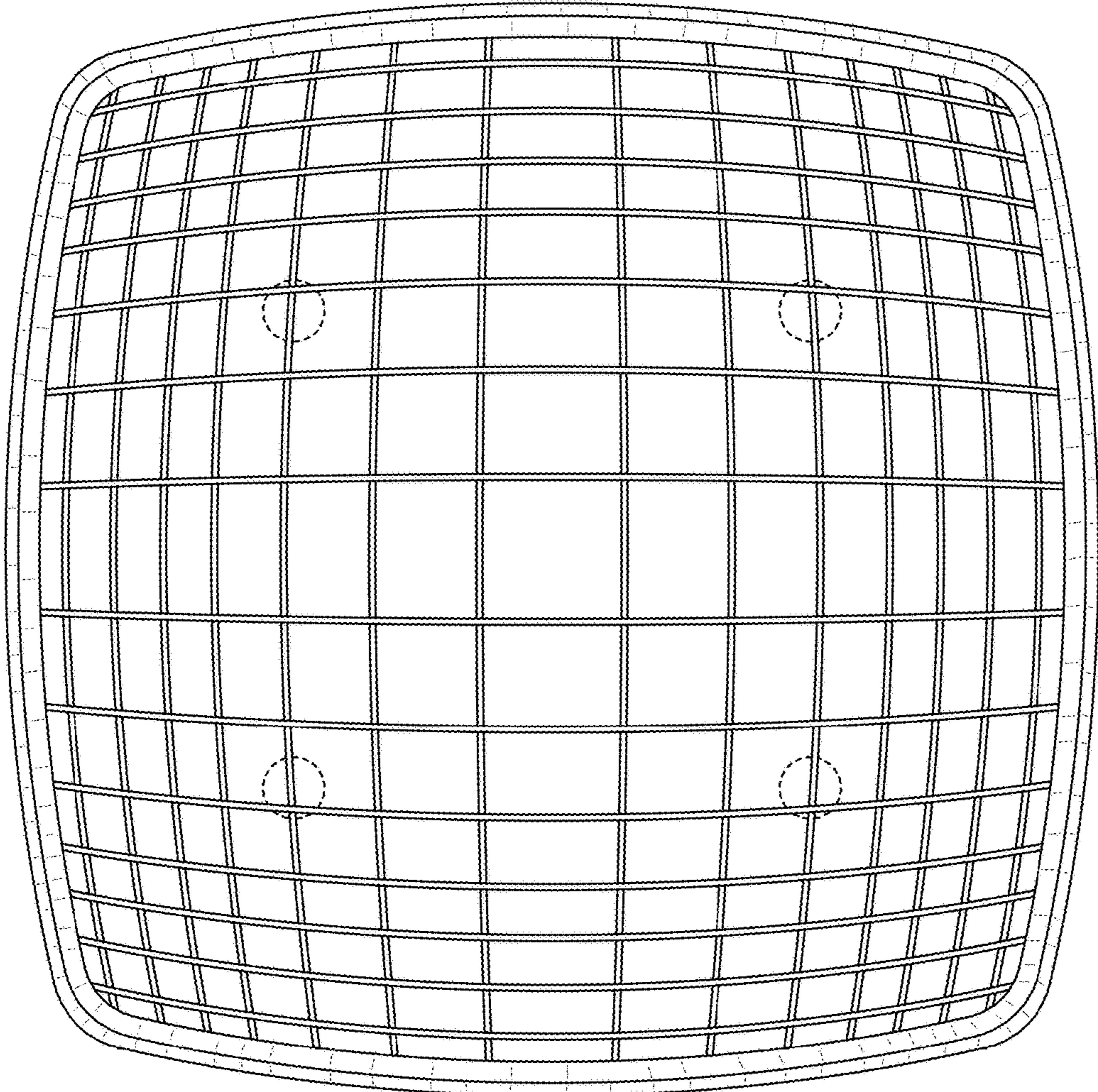


FIG. 4

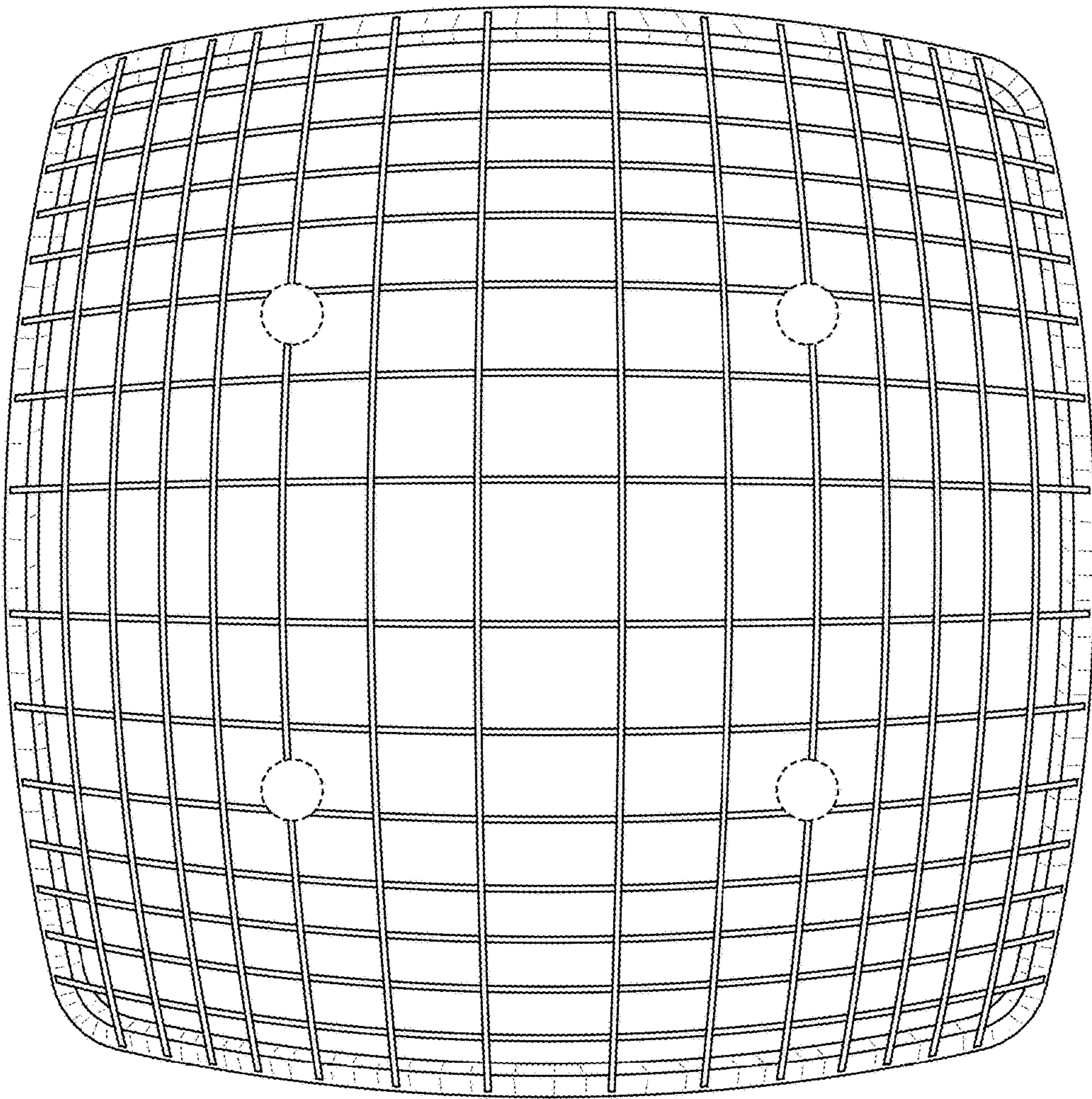


FIG. 5

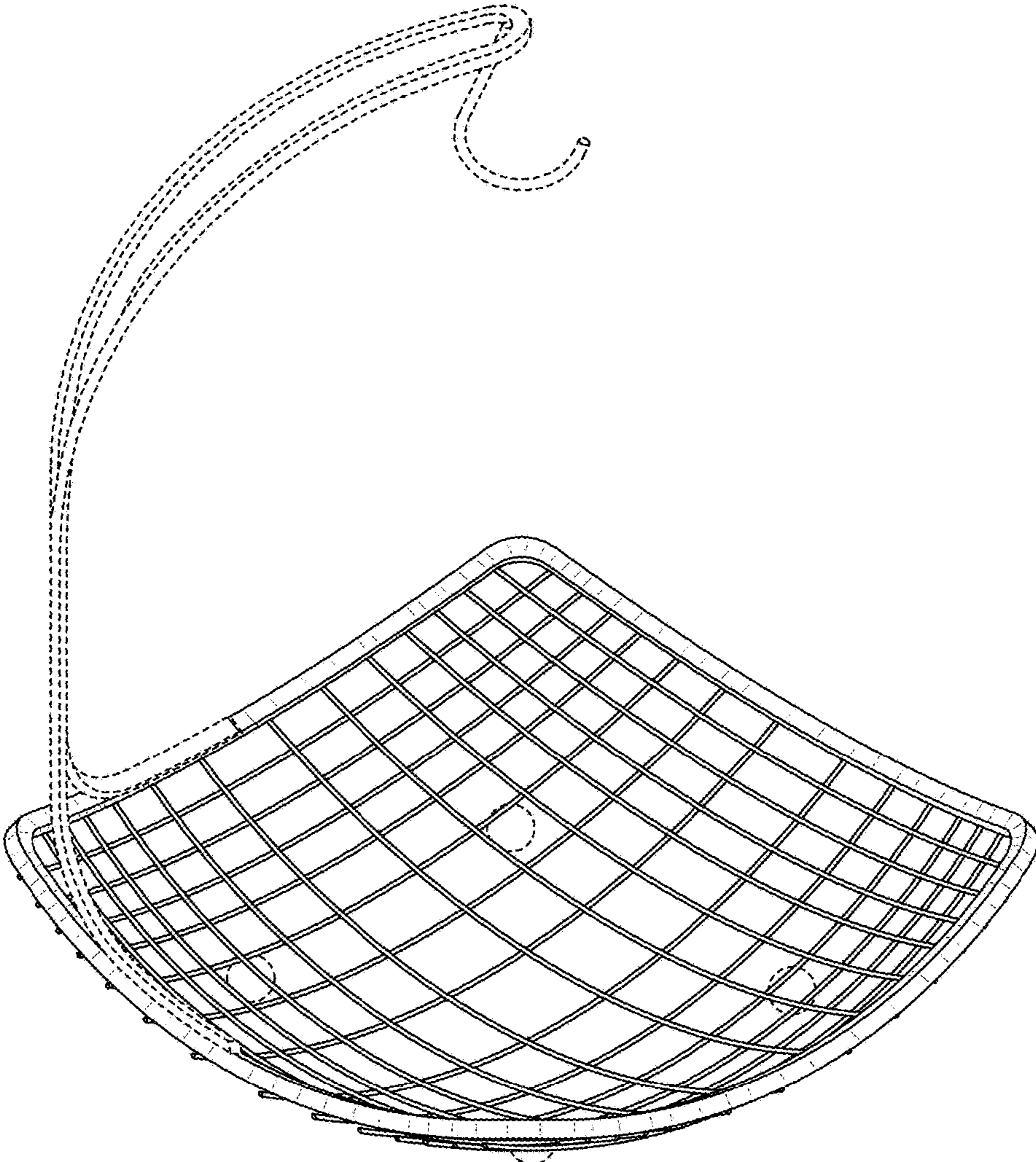


FIG. 6

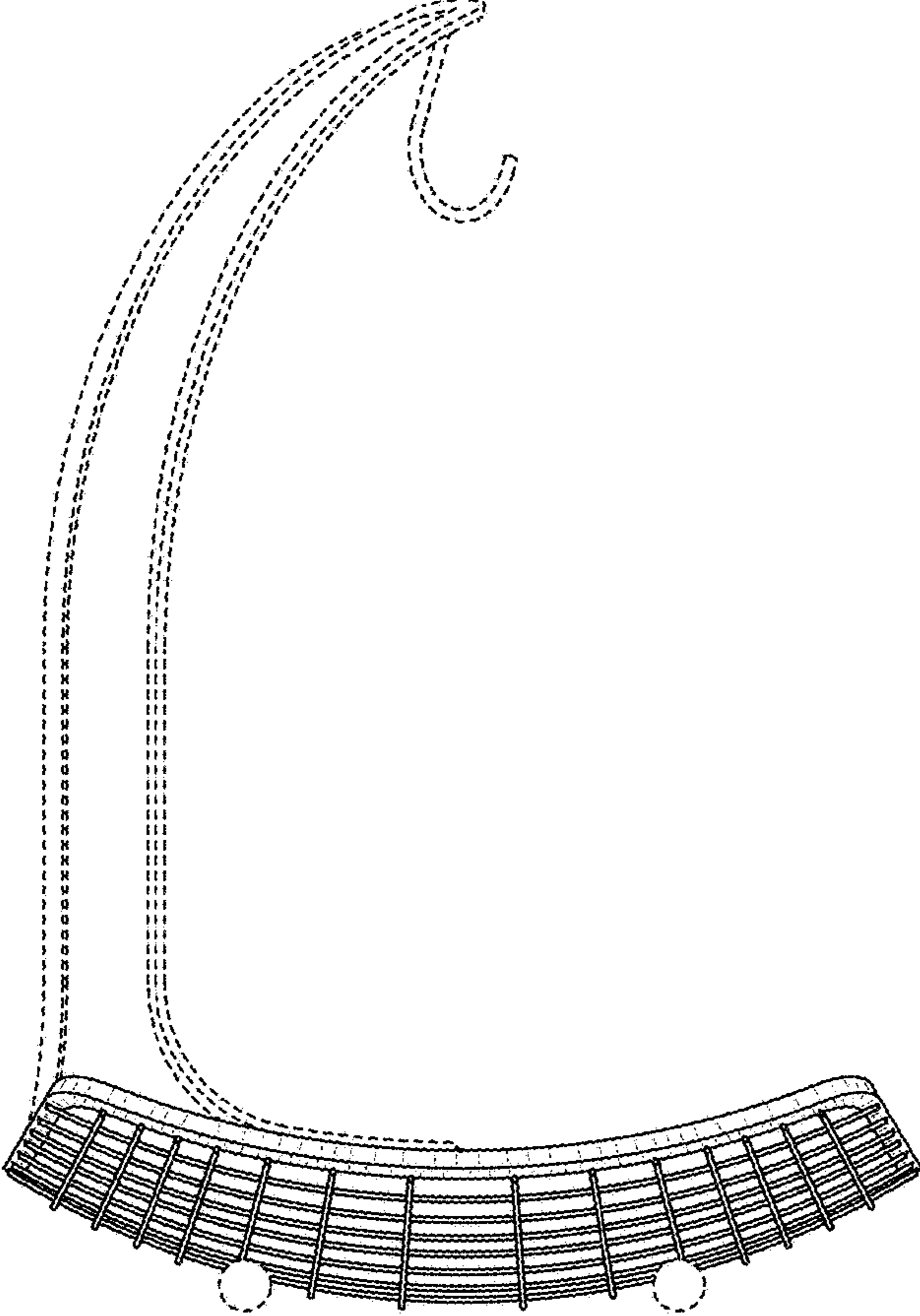


FIG. 7

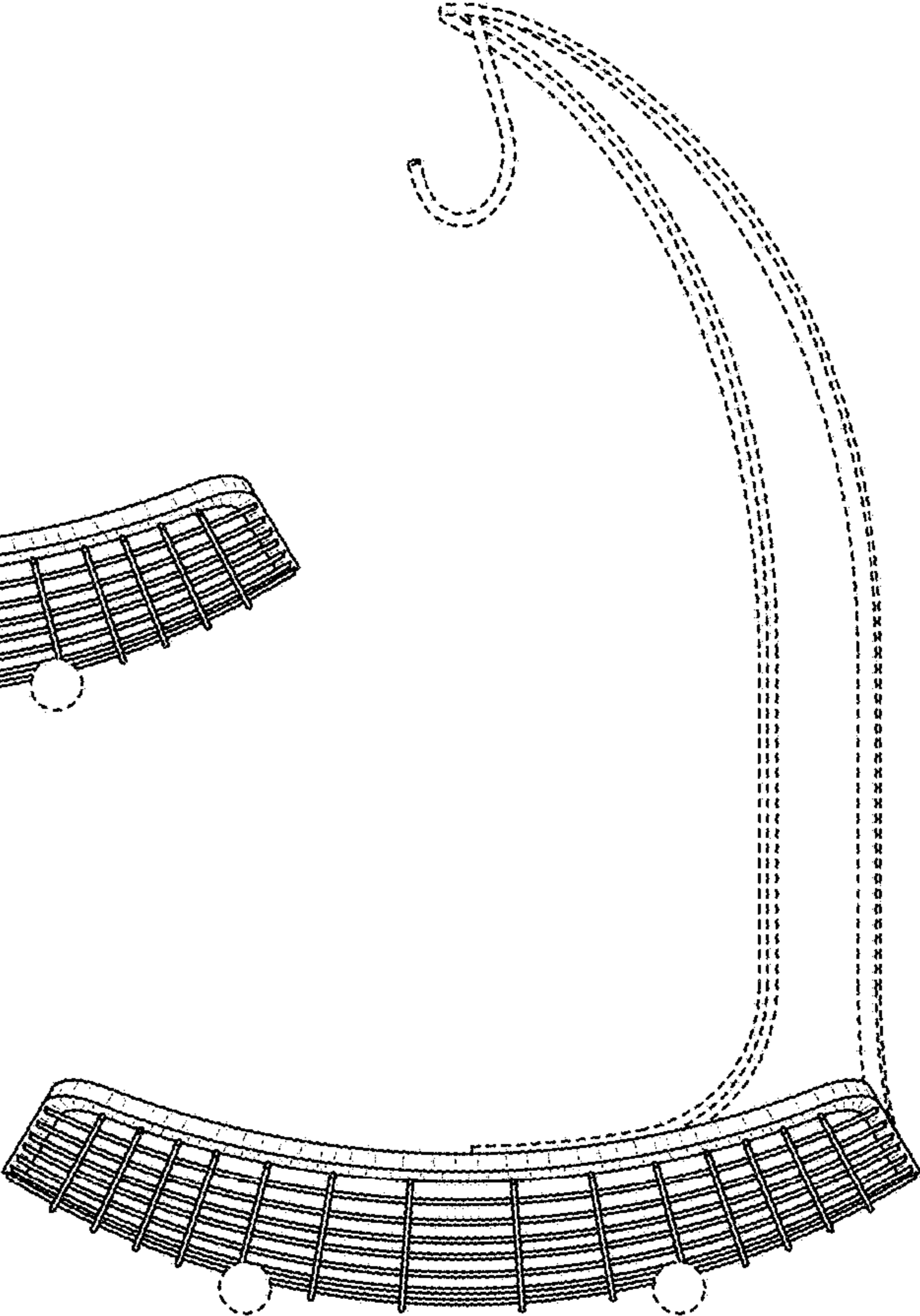


FIG. 8

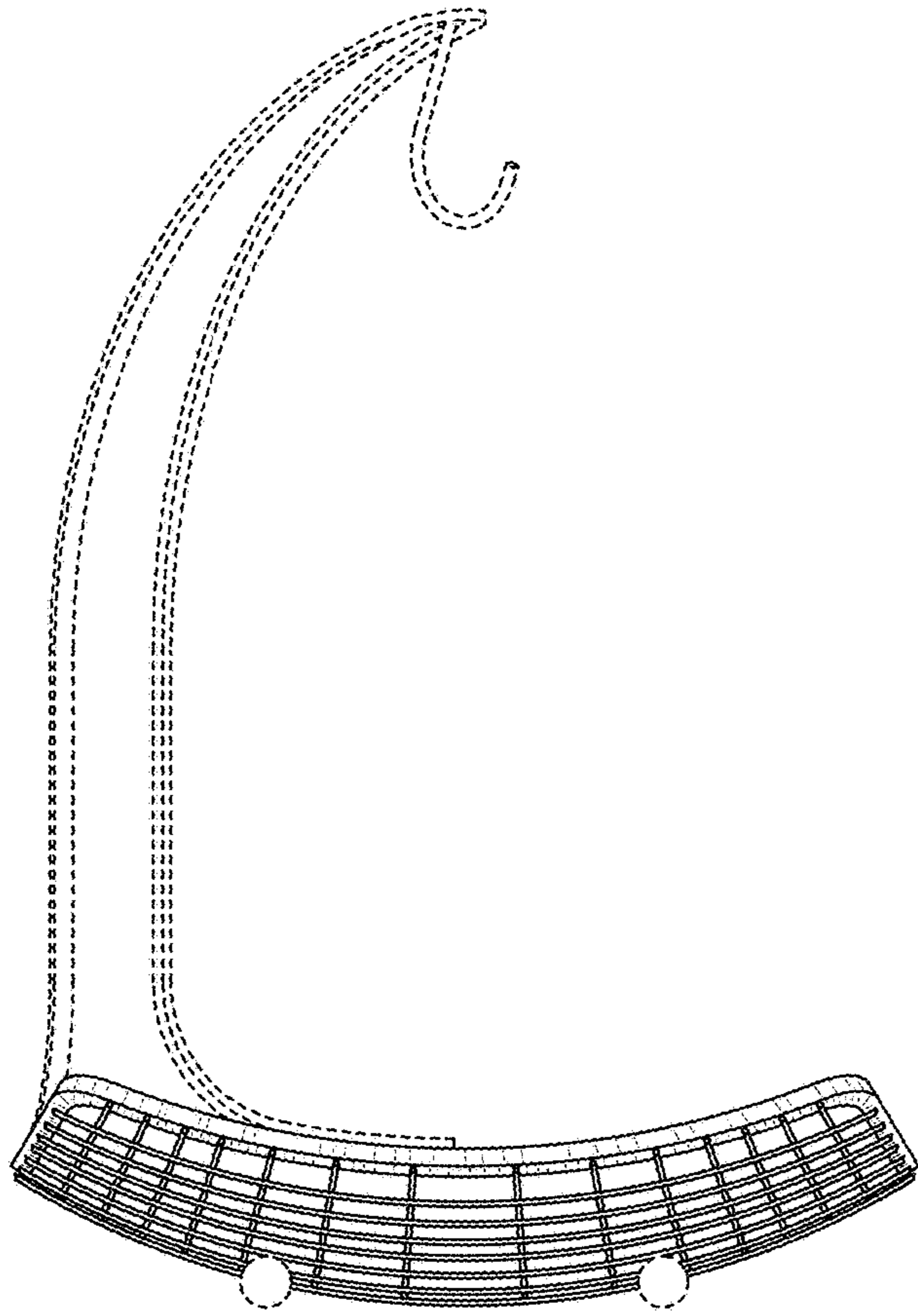


FIG. 9

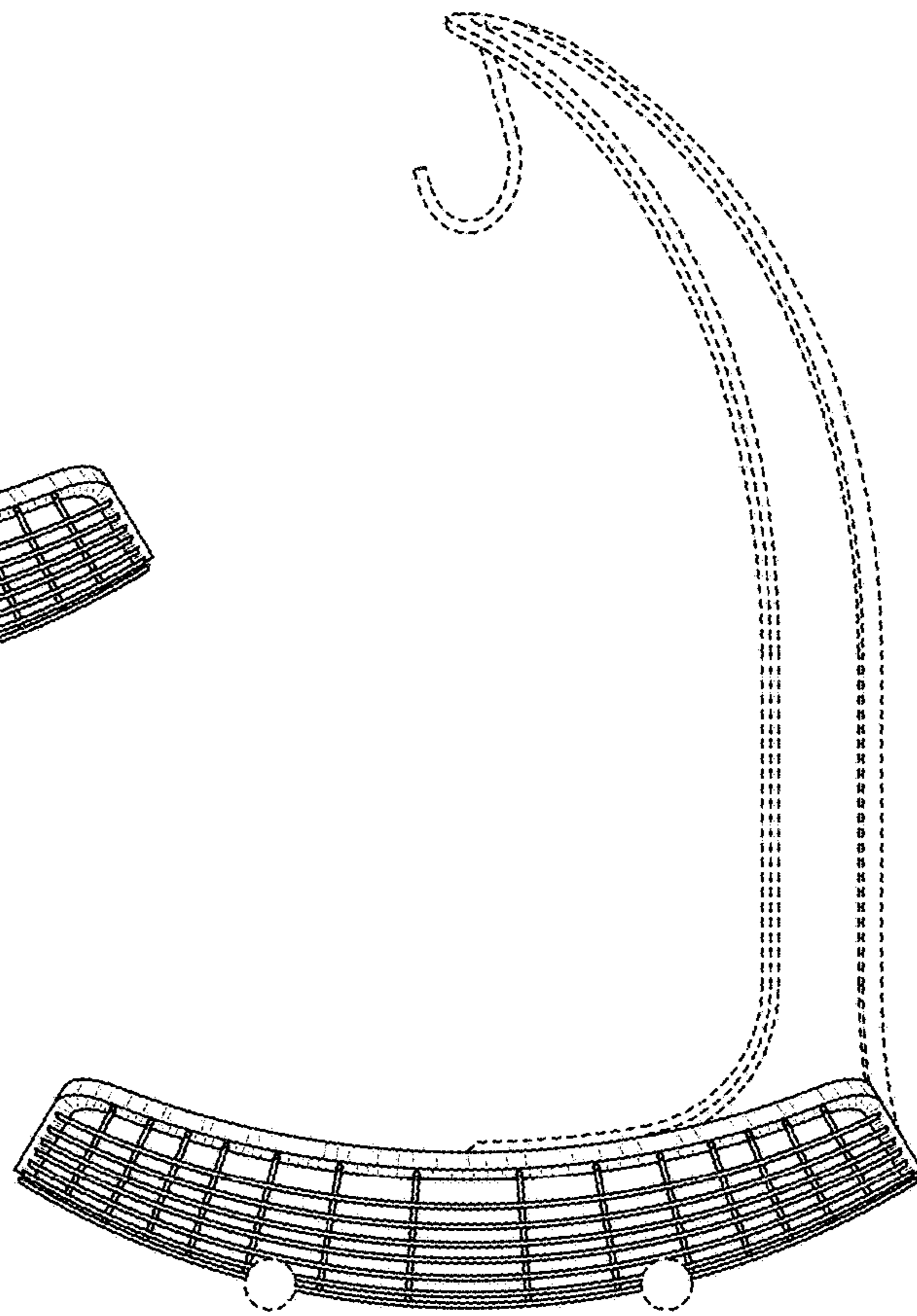


FIG. 10

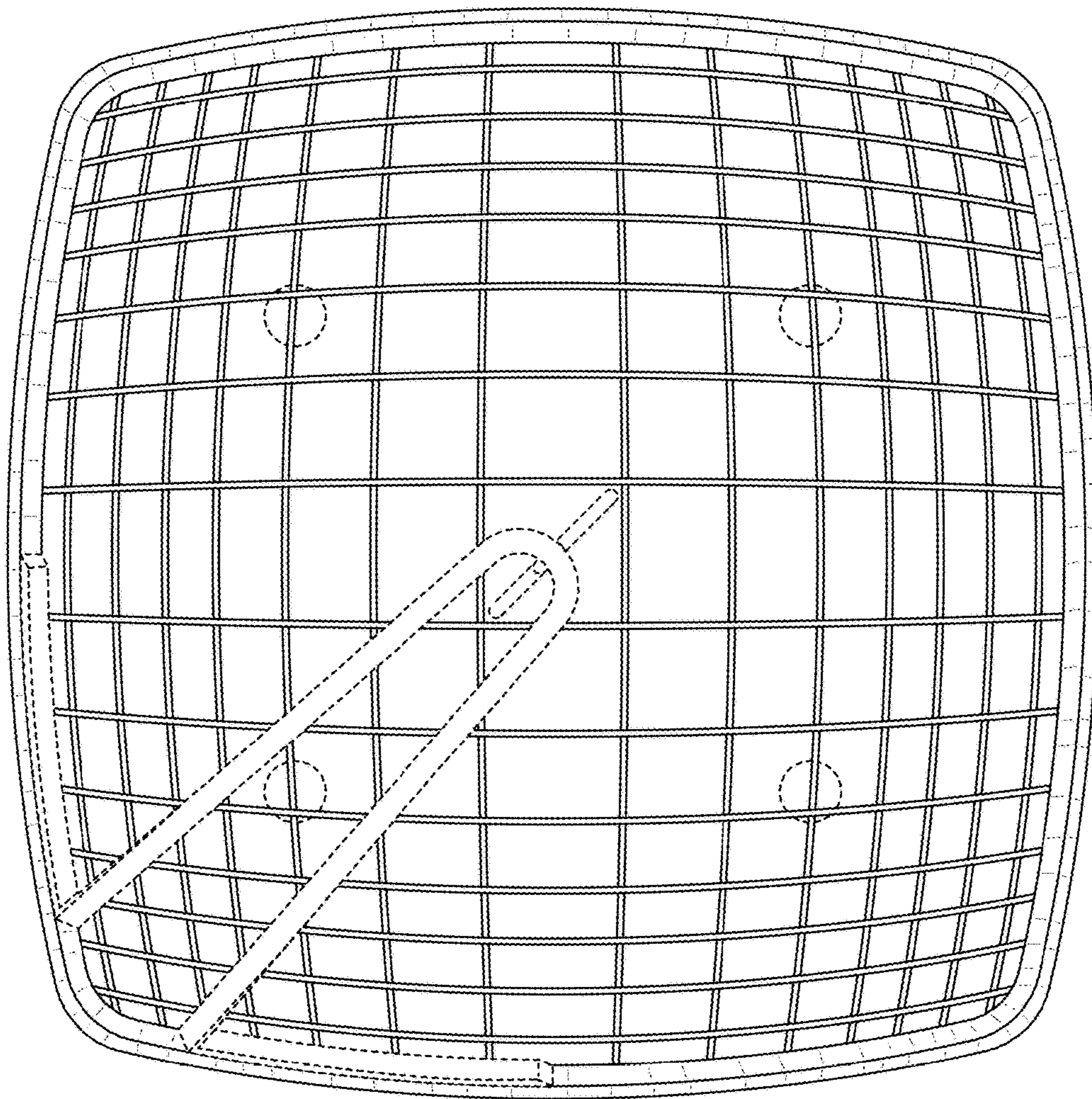


FIG. 11

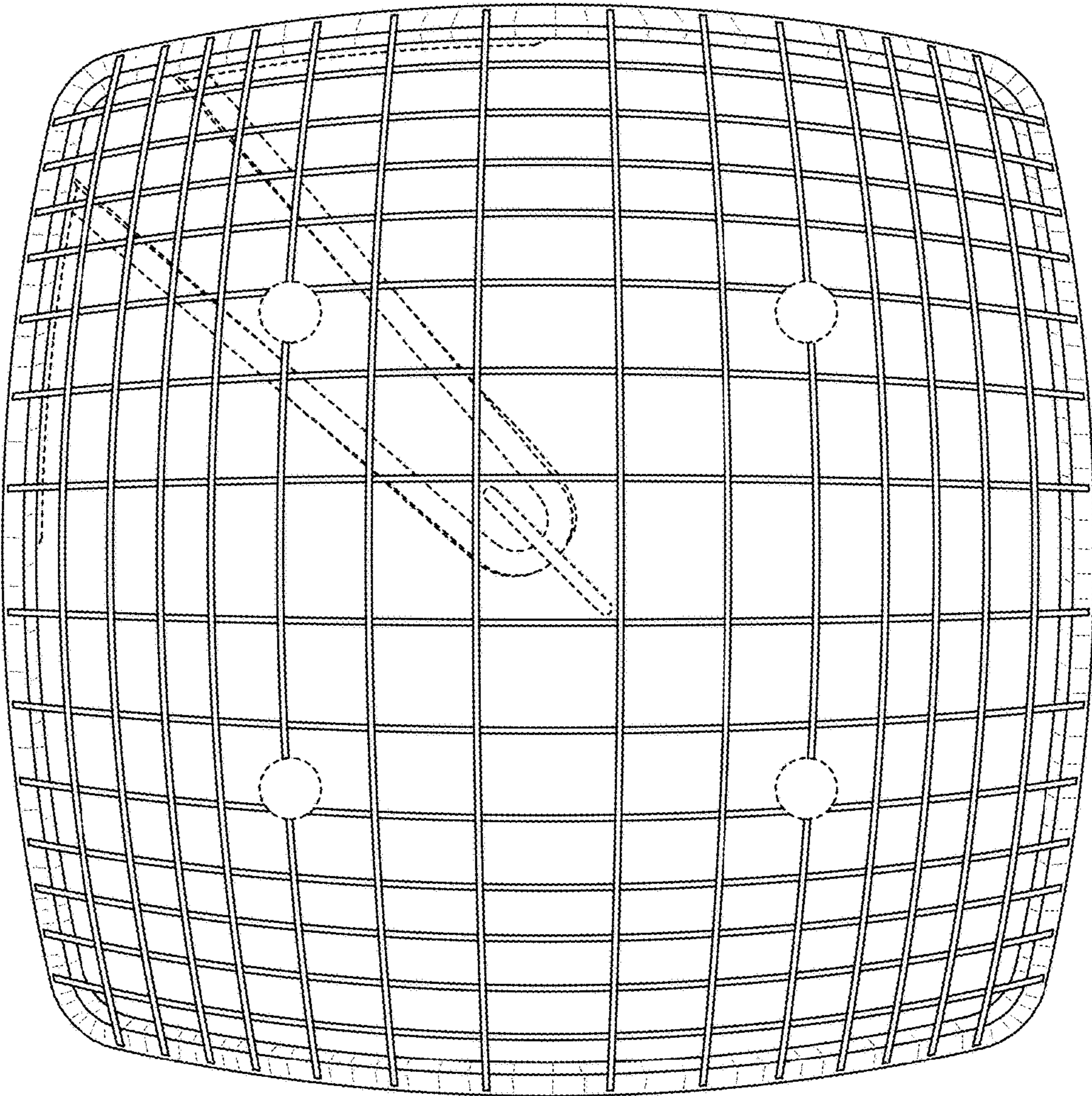


FIG. 12