



US00D844327S

(12) **United States Design Patent**
Valks et al.

(10) **Patent No.:** **US D844,327 S**
(45) **Date of Patent:** **** Apr. 2, 2019**

(54) **STORAGE BOX**

D456,992 S * 5/2002 Clark D3/270
7,044,277 B2 * 5/2006 Redzisz A45C 7/0077
190/107
7,143,932 B2 * 12/2006 Wang A45C 7/0036
229/117.35

(71) Applicants: **Audrey Valks**, Amsterdam (NL); **Ellen Boekraad**, Utrecht (NL)

(Continued)

(72) Inventors: **Audrey Valks**, Amsterdam (NL); **Ellen Boekraad**, Utrecht (NL)

OTHER PUBLICATIONS

(73) Assignee: **CRE8TEAM** (NL)

Amazon.co.uk, "Foldaway Children's Dolls Changing Station . . .",
First for sale Oct. 5, 2014. (<https://www.amazon.co.uk/dp/B00O6YY5NE>) (Year: 2014).*

(**) Term: **15 Years**

Primary Examiner — Jennifer Rivard

(21) Appl. No.: **29/620,836**

Assistant Examiner — April Rivas

(22) Filed: **Jul. 13, 2017**

(74) *Attorney, Agent, or Firm* — Inventa Capital PLC

(51) **LOC (11) Cl.** **03-01**

(52) **U.S. Cl.**

(57) **CLAIM**

USPC **D3/290**; D3/902

We claim the ornamental design for a storage box, as shown and described.

(58) **Field of Classification Search**

DESCRIPTION

USPC D3/273, 276, 278, 281, 283, 284, 285,
D3/286, 287, 288, 289, 290, 291, 293,
D3/294, 295, 299, 301, 300, 900, 902,
D3/274; D9/414, 420, 423, 430, 433
CPC B65D 11/00; B65D 11/18; B65D 11/1853;
B65D 11/08; B65D 5/248; B65D 5/445;
A63H 33/00; A45C 7/00; A45C 7/0063;
A45C 7/0036

See application file for complete search history.

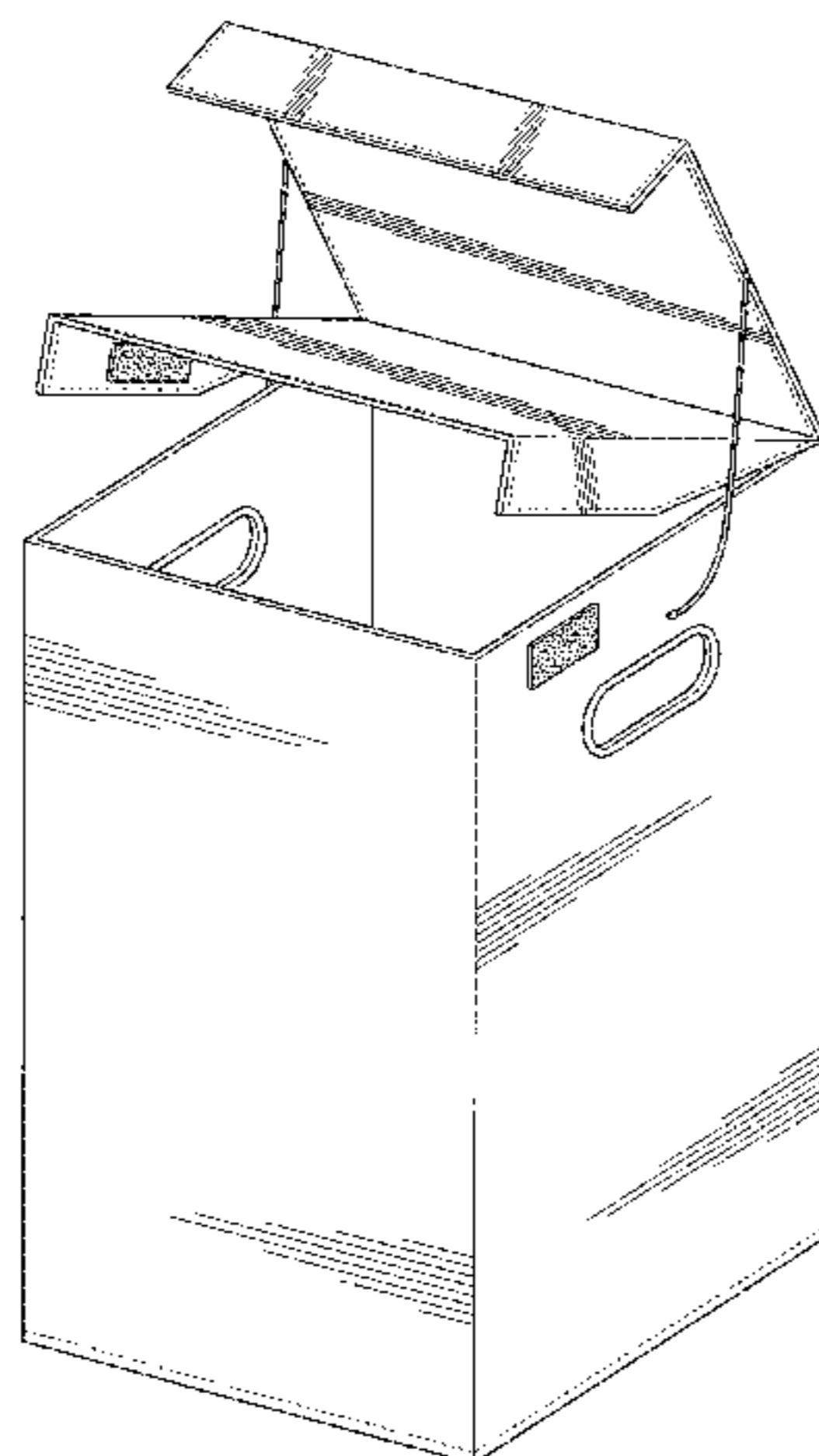
FIG. 1 shows a perspective view of a storage box of the present invention;
FIG. 2 shows a front view of the storage box;
FIG. 3 shows a right side view of the storage box;
FIG. 4 shows a left side view of the storage box;
FIG. 5 shows a rear side view of the storage box;
FIG. 6 shows a top view of the storage box;
FIG. 7 shows a bottom view of the storage box;
FIG. 8 shows a perspective view of the storage box in a first collapsed position;
FIG. 9 shows a perspective view of the storage box in a second collapsed position;
FIG. 10 shows a perspective view of the storage box in a third collapsed position; and,
FIG. 11 shows a perspective view of the storage box in a fully collapsed position.
The broken lines illustrate stitching and form part of the claimed design.

(56) **References Cited**

U.S. PATENT DOCUMENTS

2,373,977 A * 4/1945 Scherer B65D 5/248
229/128
3,117,709 A * 1/1964 Fuchs B65D 5/445
229/117.27
D221,408 S * 8/1971 Ferdinand et al. D3/294
D316,787 S * 5/1991 Kelly D6/515
D394,383 S * 5/1998 Bradfield D9/416
D434,320 S * 11/2000 Timm D9/423
6,146,238 A * 11/2000 Daiber A63H 3/52
446/476

(Continued)



The dash-dot broken lines illustrate portions of the storage box and form no part of the claimed design.

1 Claim, 10 Drawing Sheets

(56)

References Cited

U.S. PATENT DOCUMENTS

7,188,713	B1 *	3/2007	Espar	A45C 7/0095 190/107
7,597,209	B2 *	10/2009	Rothschild	A45C 7/0036 220/23.87
D668,142	S *	10/2012	Turner	D9/423
D691,804	S *	10/2013	Wang	D3/294
D708,439	S *	7/2014	Wang	D3/295
D732,952	S *	6/2015	Ghini	D9/423
D734,031	S *	7/2015	Gallet	D3/282
D745,276	S *	12/2015	Wang	D3/273
D748,466	S *	2/2016	Martin	D9/420
D748,468	S *	2/2016	Angeloni	D9/420

* cited by examiner

FIG. 1

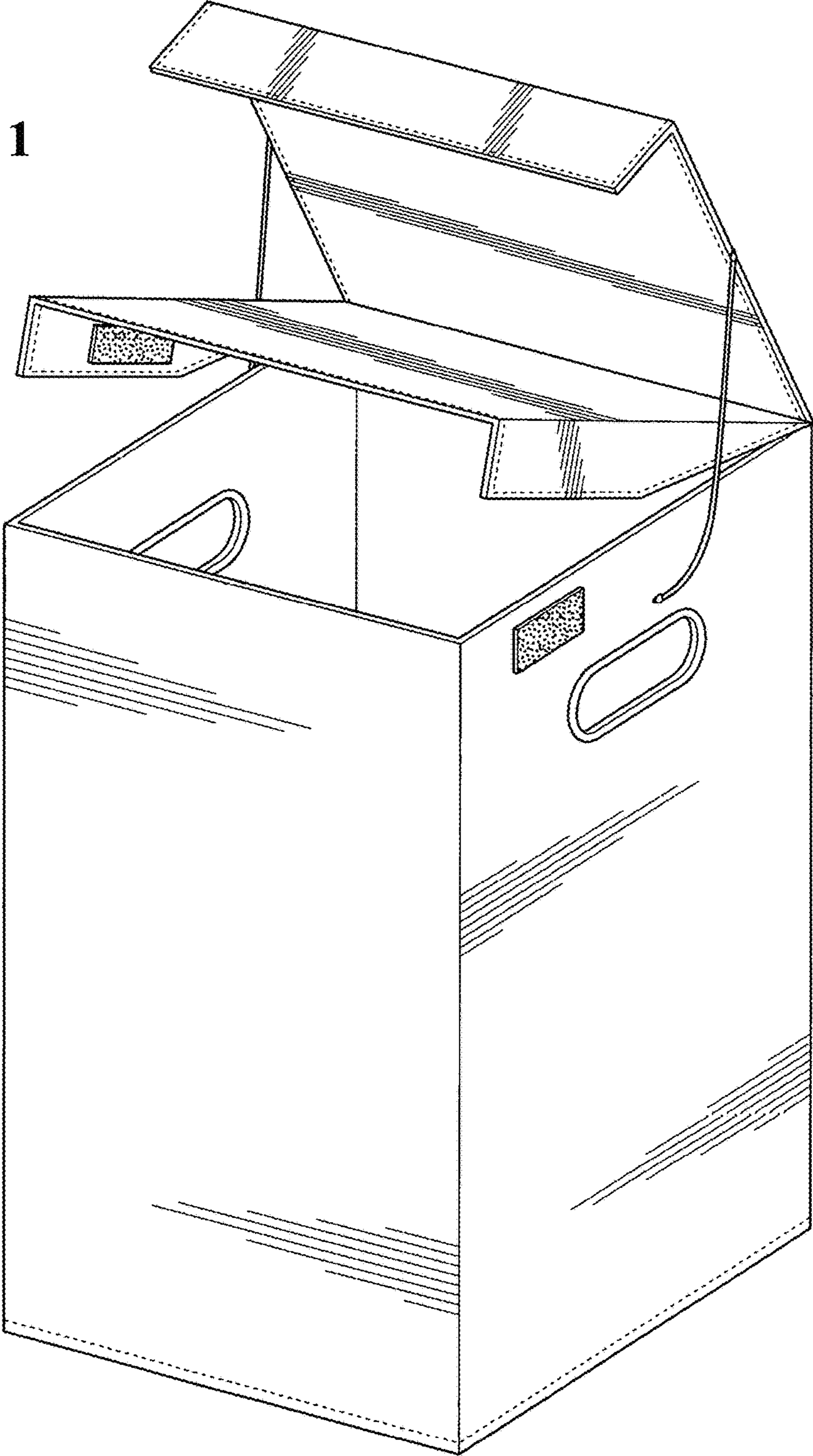


FIG. 2

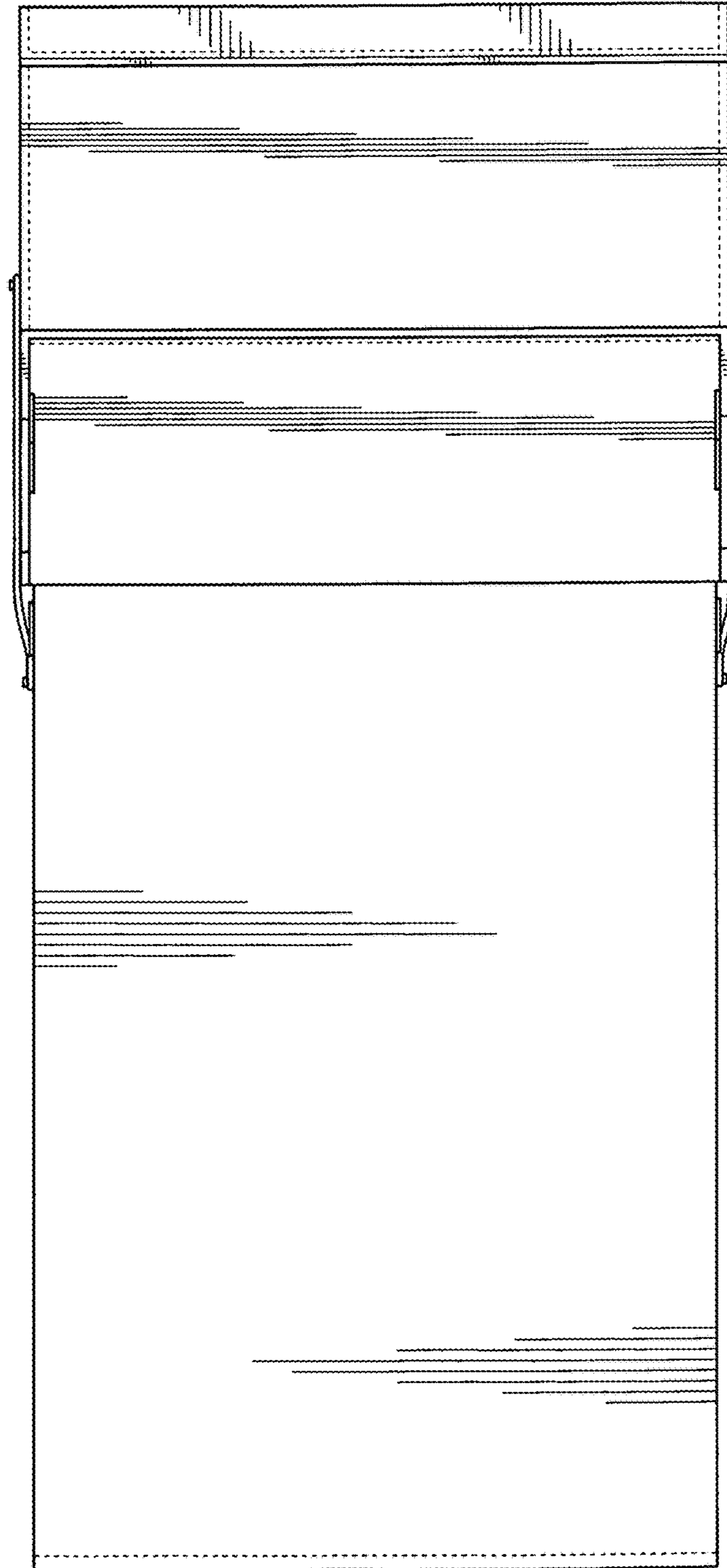


FIG. 3

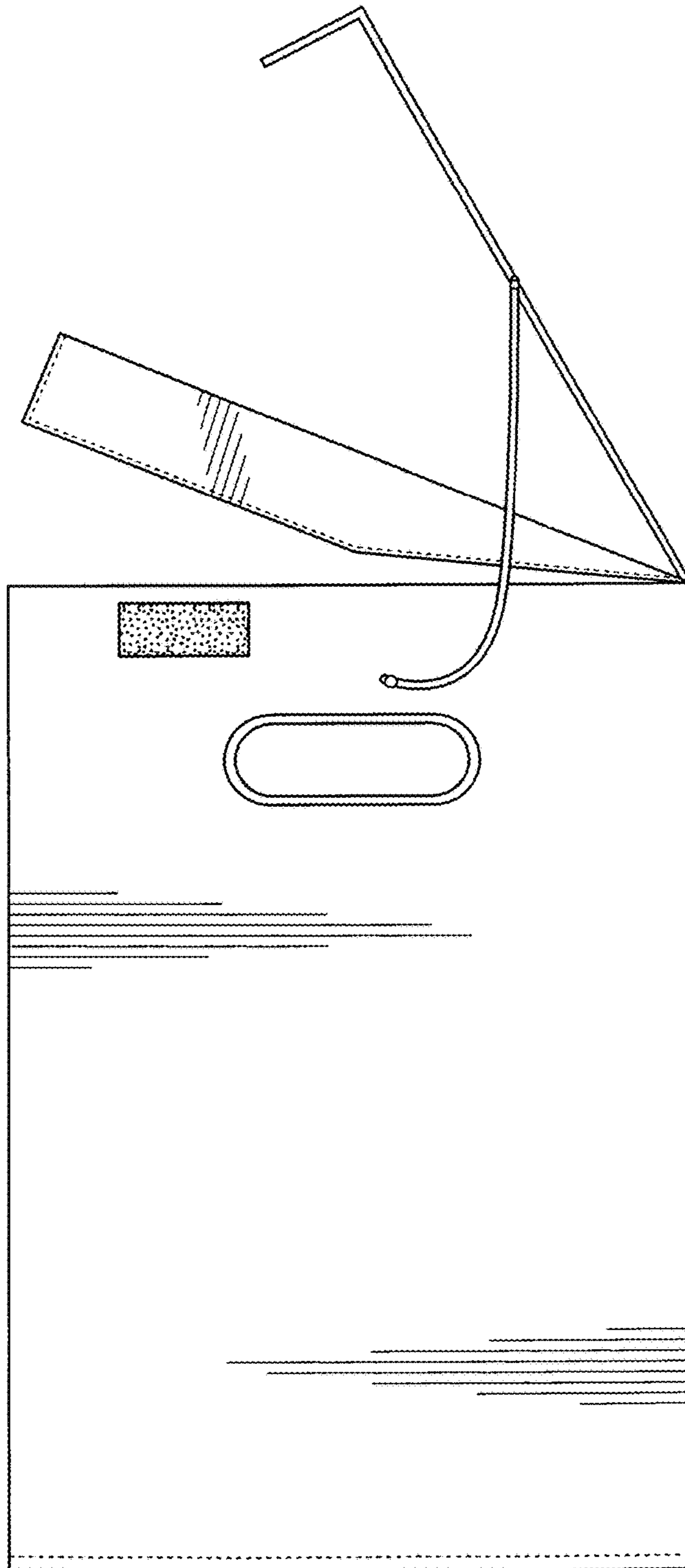


FIG. 4

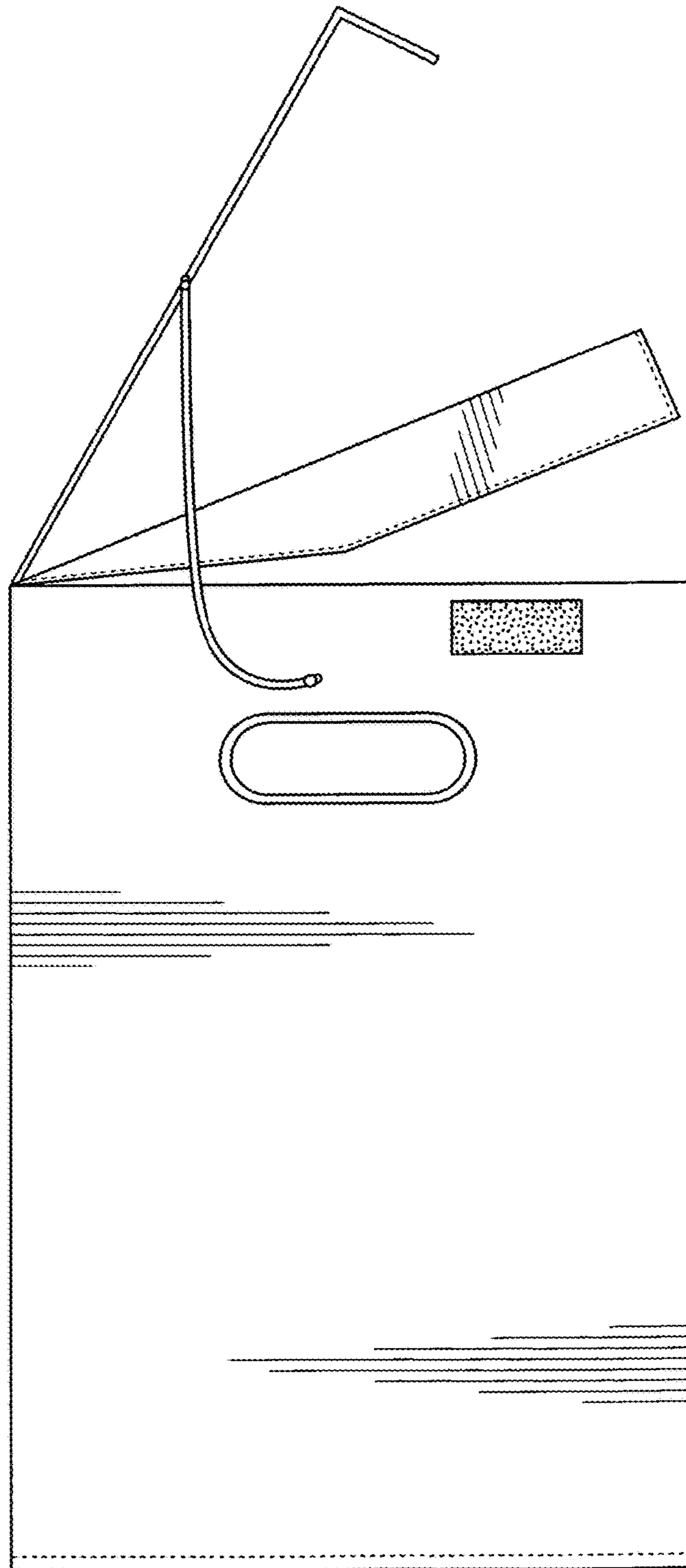


FIG. 5

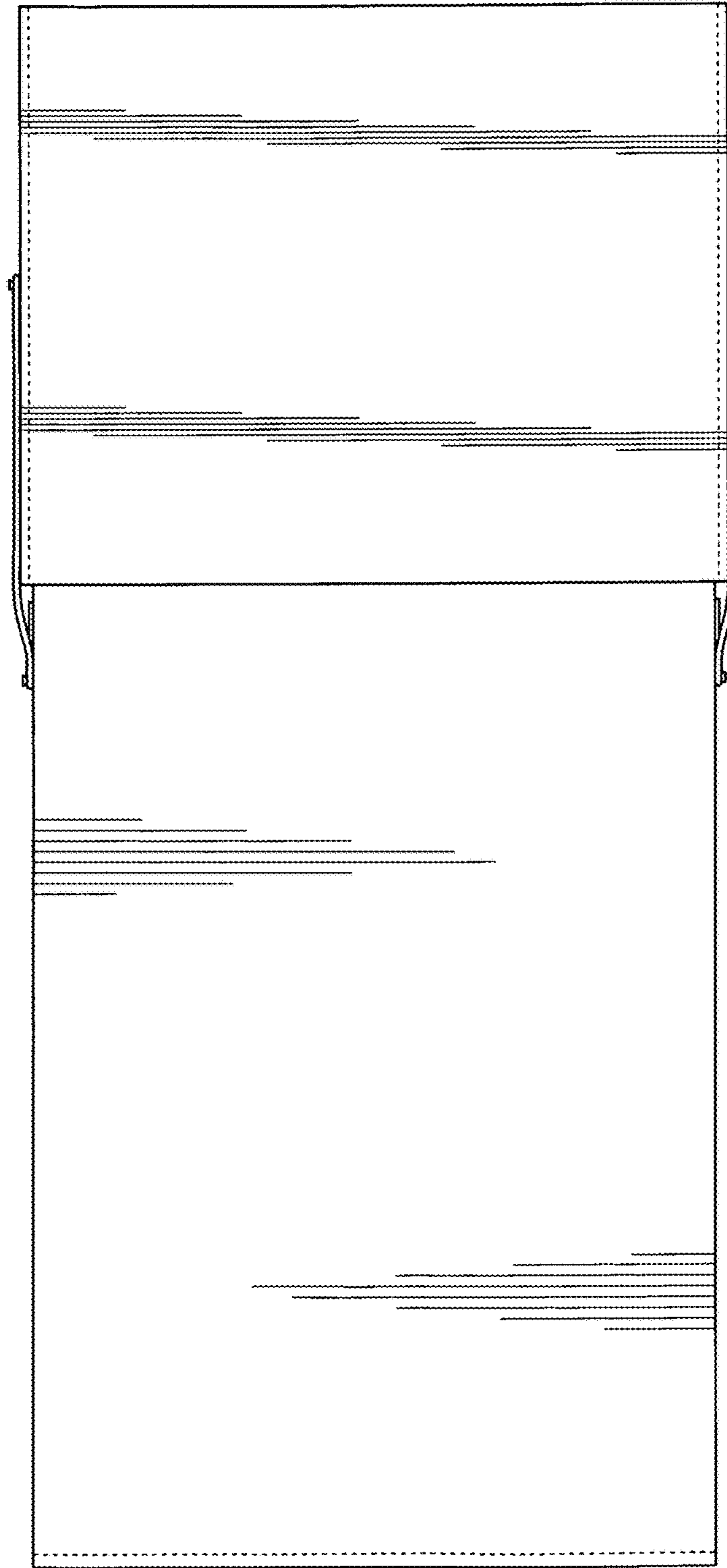


FIG. 6

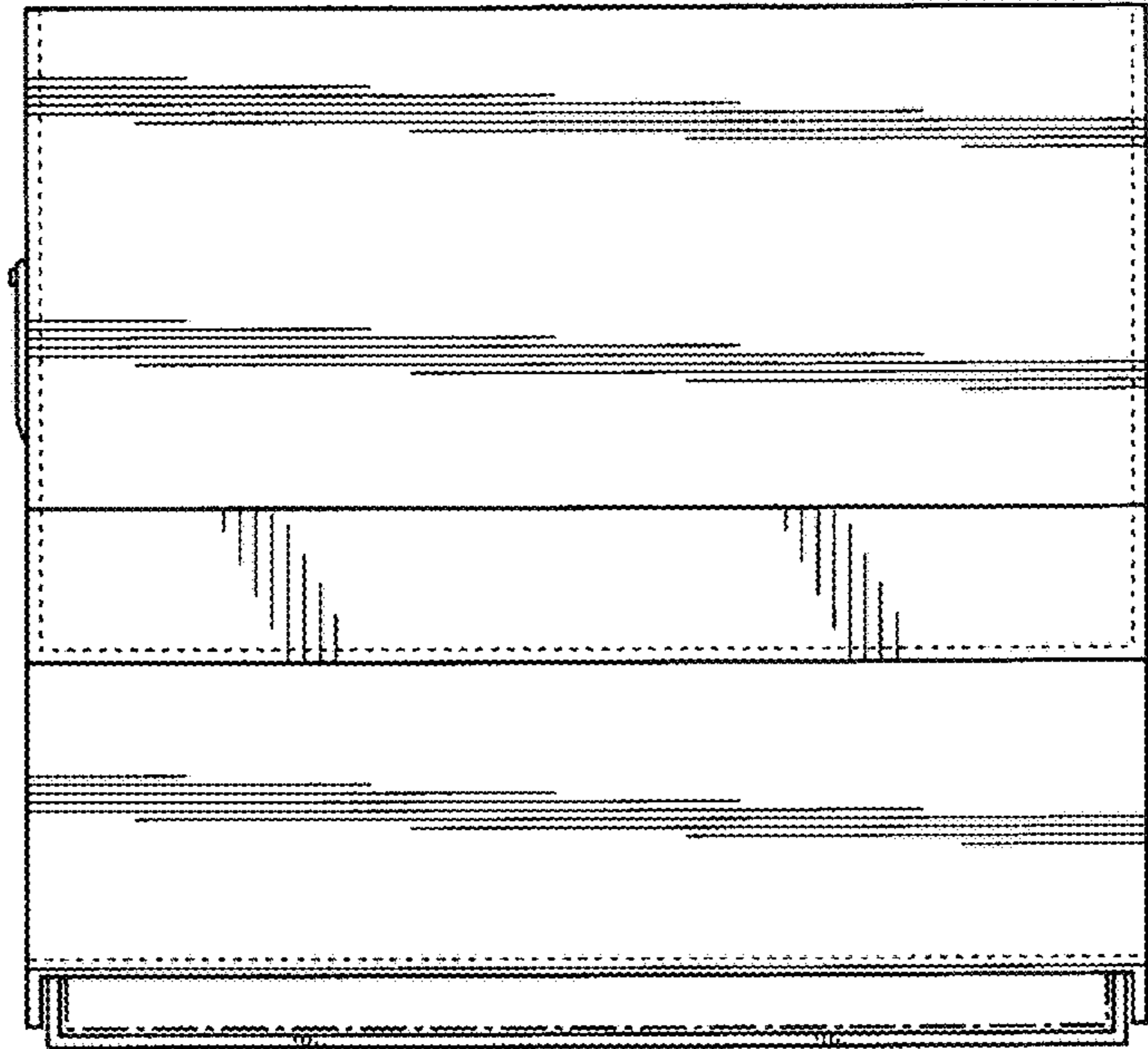


FIG. 7

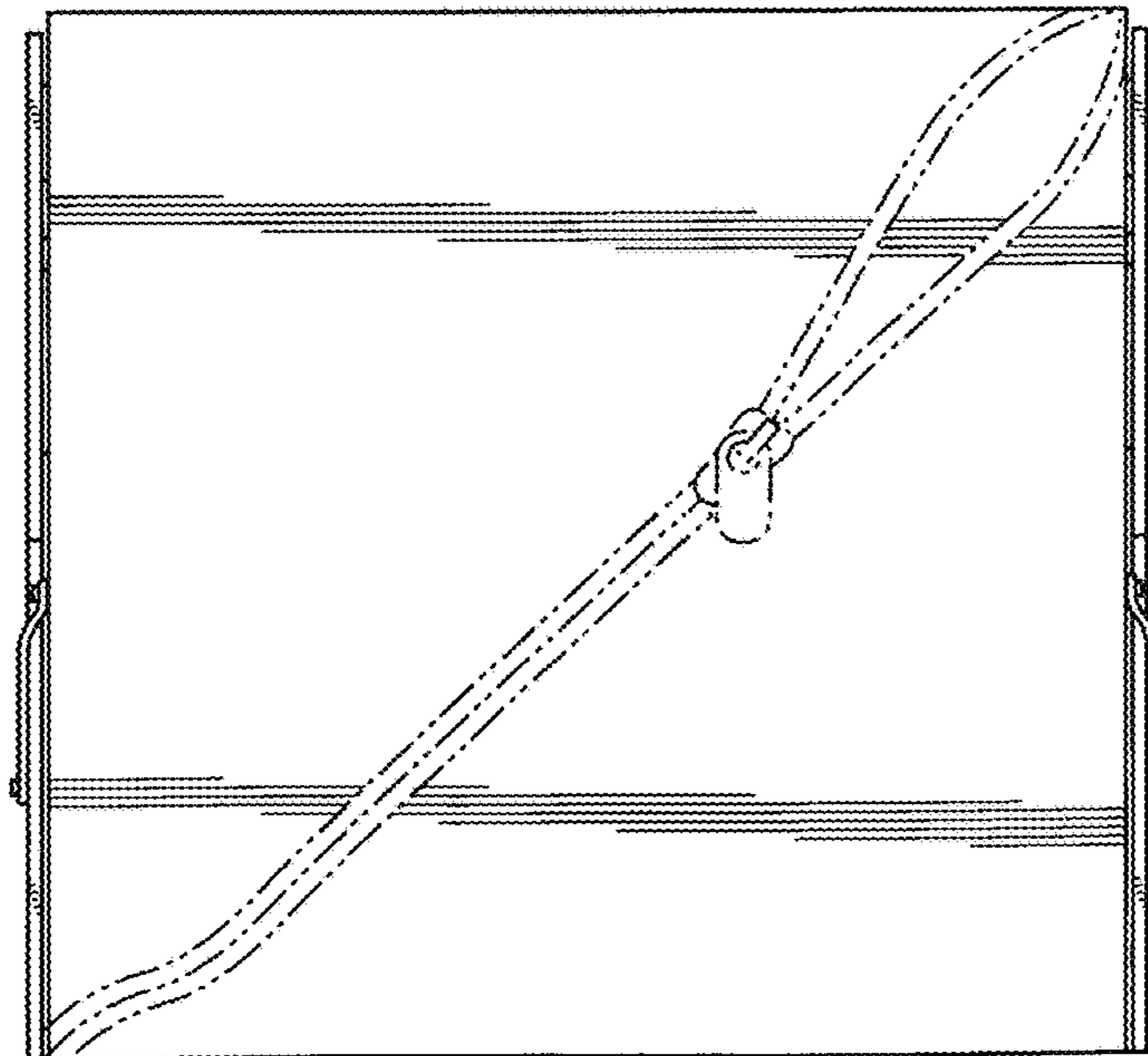


FIG. 8

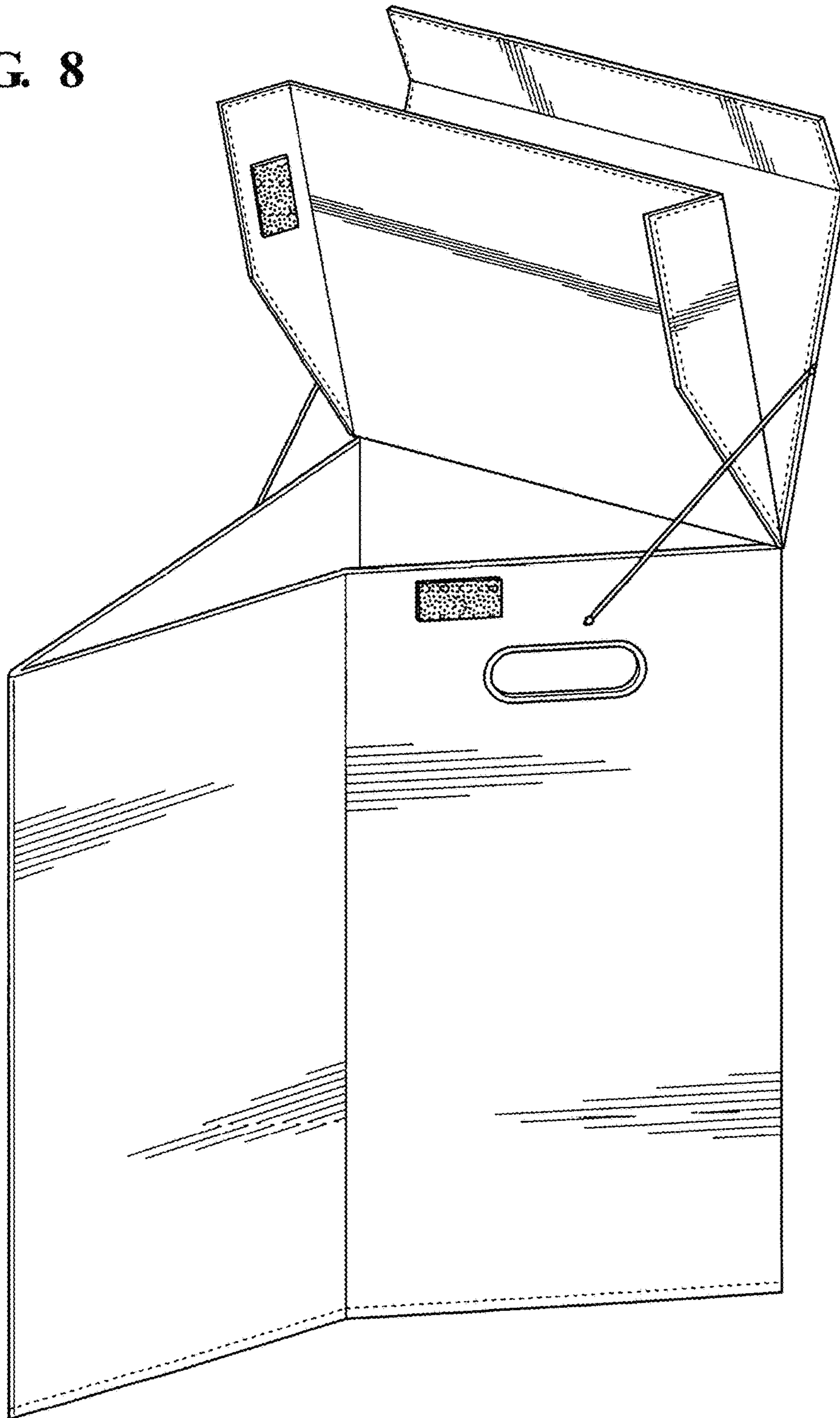


FIG. 9

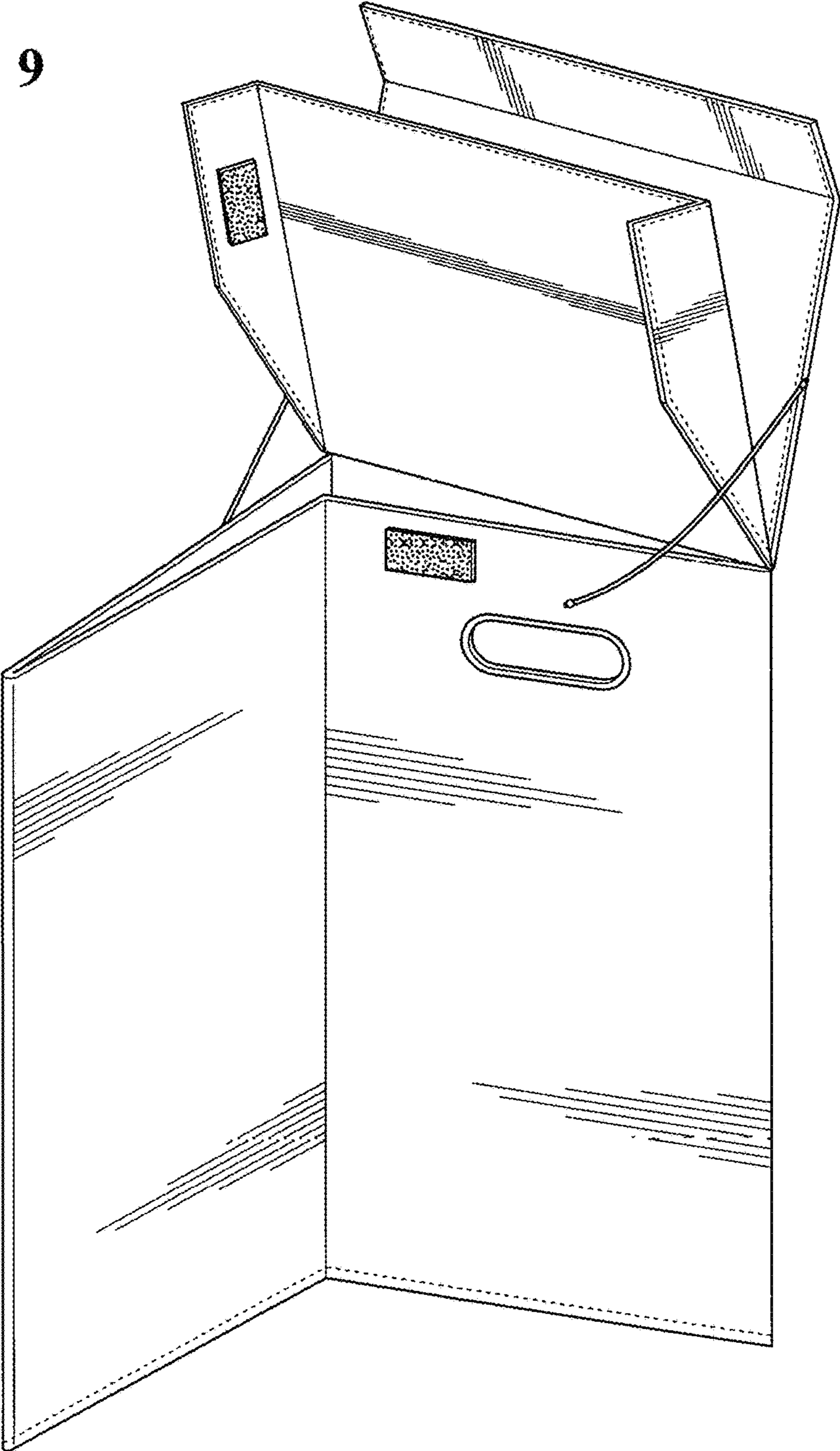


FIG. 10

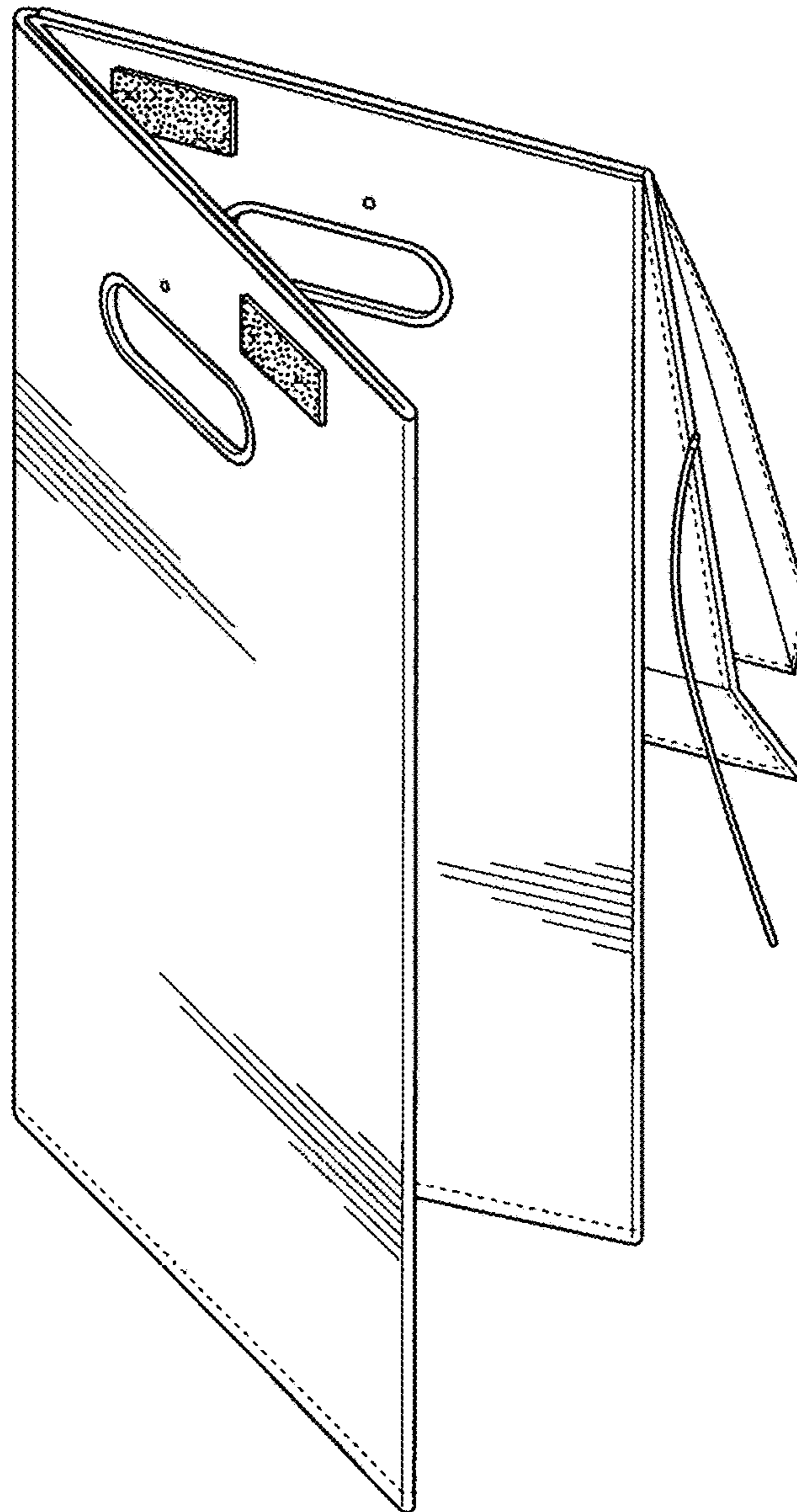


FIG. 11

