



US00D844326S

(12) **United States Design Patent** (10) **Patent No.:** **US D844,326 S**
Routh et al. (45) **Date of Patent:** **** Apr. 2, 2019**

(54) **MINI MERCHANDISE CASE**

(71) Applicants: **Daniel Nolan Routh**, Siler City, NC (US); **C. Trent Canupp**, Siler City, NC (US)

(72) Inventors: **Daniel Nolan Routh**, Siler City, NC (US); **C. Trent Canupp**, Siler City, NC (US)

(**) Term: **15 Years**

(21) Appl. No.: **29/597,106**

(22) Filed: **Mar. 14, 2017**

(51) **LOC (11) Cl.** **03-01**

(52) **U.S. Cl.**

USPC **D3/284; D3/295**

(58) **Field of Classification Search**

USPC D3/269, 272, 273, 274, 276, 279, 281, D3/282, 283, 288, 290, 294, 298, 299, D3/905, 217, 295; D34/12, 14, 17, 19, D34/20, 18, 23, 24, 25, 27

CPC B62B 1/00; B62B 3/00; B25H 3/00; B25H 3/003; B25H 3/02; B25H 5/00; A45C 7/00; A45C 5/00; A45C 5/005; A45C 2005/037; A45C 5/04; A45C 5/14; A45C 2007/0004; A45C 7/0018; A45C 2009/002

See application file for complete search history.

(56) **References Cited**

U.S. PATENT DOCUMENTS

D247,993 S *	5/1978	Calzone, III	D3/204
D332,466 S *	1/1993	Logan	D19/113
D413,440 S *	9/1999	Schurman	D3/276
D499,883 S *	12/2004	Perella	D3/276
6,929,268 B1 *	8/2005	Owens	B62B 3/008 190/18 A
D529,287 S *	10/2006	Perella	D19/86
D561,462 S *	2/2008	Perella	D3/206
D619,809 S *	7/2010	Huang	D3/276
D619,810 S *	7/2010	Huang	D3/276
D642,373 S *	8/2011	Decarlo	D3/204

(Continued)

OTHER PUBLICATIONS

5Star Cases, "CD 100 Compact Disc DJ Flight Case—7mm Gear Box Spec", Accessed Aug. 16, 2017. (<http://5star-cases.com/shop/dj-cases/112-gear-box-cd-100-dj-flight-case.html>).*

Primary Examiner — Jennifer Rivard

Assistant Examiner — April Rivas

(74) *Attorney, Agent, or Firm* — Olive Law Group, PLLC

(57) **CLAIM**

We claim the ornamental design for a mini merchandise case, as shown and described.

DESCRIPTION

This application is related to U.S. Design application Ser. No. 29/597,039, filed Mar. 14, 2017, and titled Large Merchandise Case.

FIG. 1 is a top, front, and right side perspective view of a mini merchandise case showing my new design;

FIG. 2 is a top, back, and left side perspective view thereof;

FIG. 3 is a bottom, back, and right side perspective view thereof;

FIG. 4 is a top view thereof;

FIG. 5 is a bottom view thereof;

FIG. 6 is a right side view thereof;

FIG. 7 is a left side view thereof;

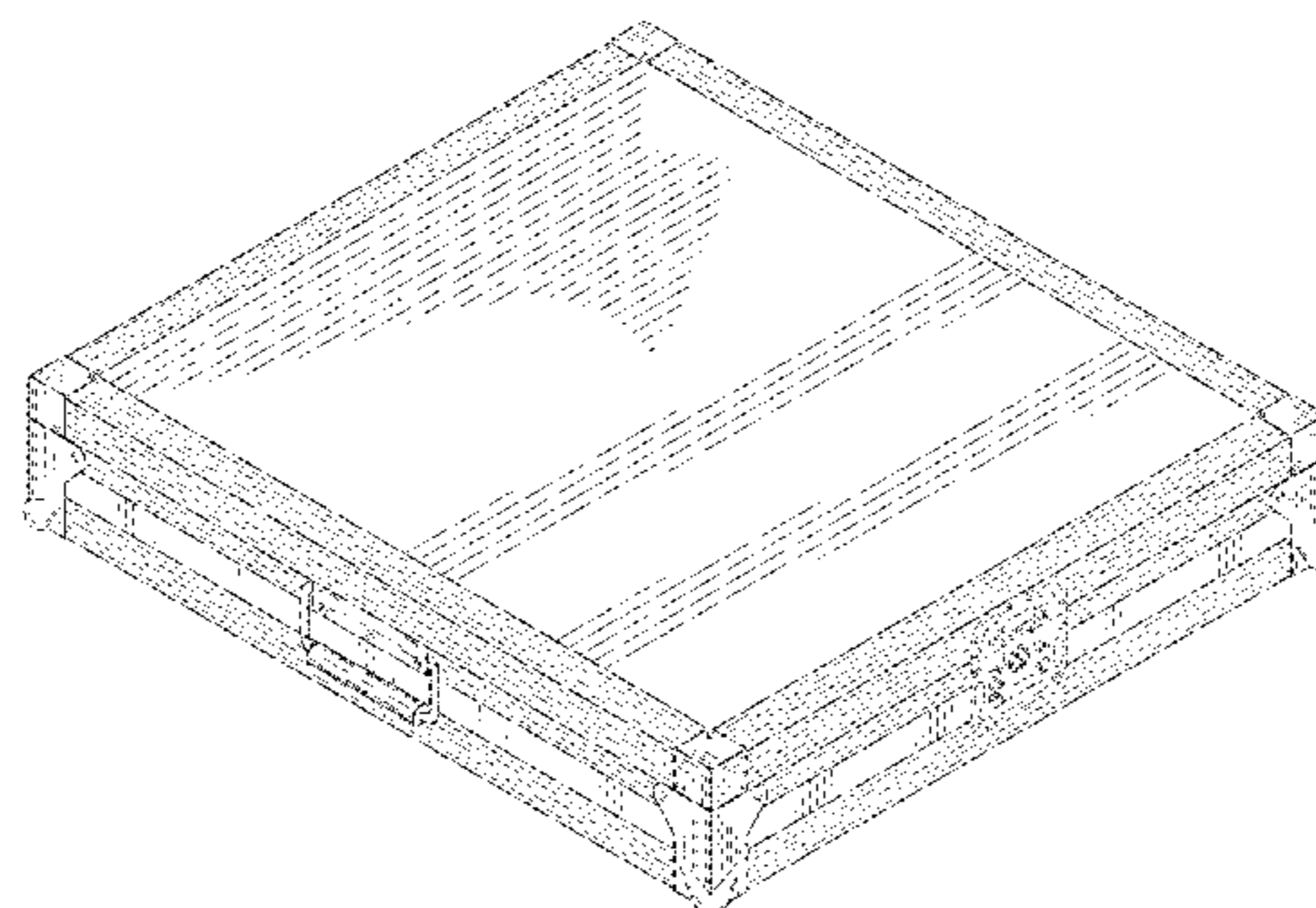
FIG. 8 is a front side view thereof;

FIG. 9 is a back side view thereof; and,

FIG. 10 is a front view of the open case, exposing top inner inserts thereof.

The broken lines around the exterior and interior perimeter of a mini merchandise case's body illustrate surface ornamentation. The remaining broken line hinges, latch, and interior compartments illustrate portions of the mini merchandise case. None of the broken lines illustrated in the figures form part of the claimed design.

1 Claim, 8 Drawing Sheets



(56)

References Cited

U.S. PATENT DOCUMENTS

D643,623 S *	8/2011	Chin	D3/272
D671,743 S *	12/2012	Cenzano	D3/272
D677,465 S *	3/2013	Cenzano	D3/276
D684,768 S *	6/2013	Cenzano	D3/272
D726,416 S *	4/2015	Gabrielyan	D3/282
D736,519 S *	8/2015	Chui	D3/272
D759,378 S *	6/2016	West	D3/294
D769,972 S *	10/2016	Thomson	D19/88

* cited by examiner

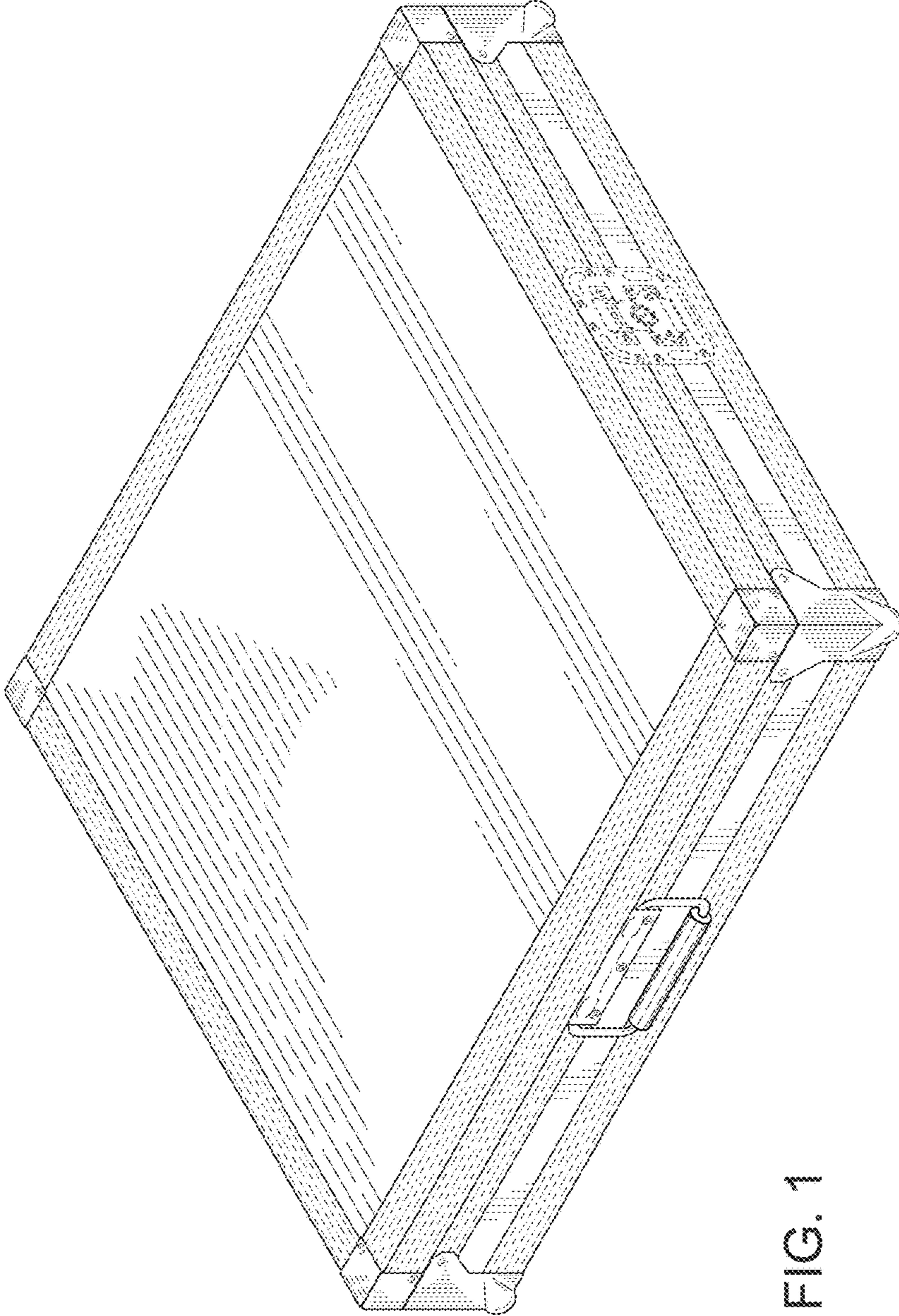


FIG. 1

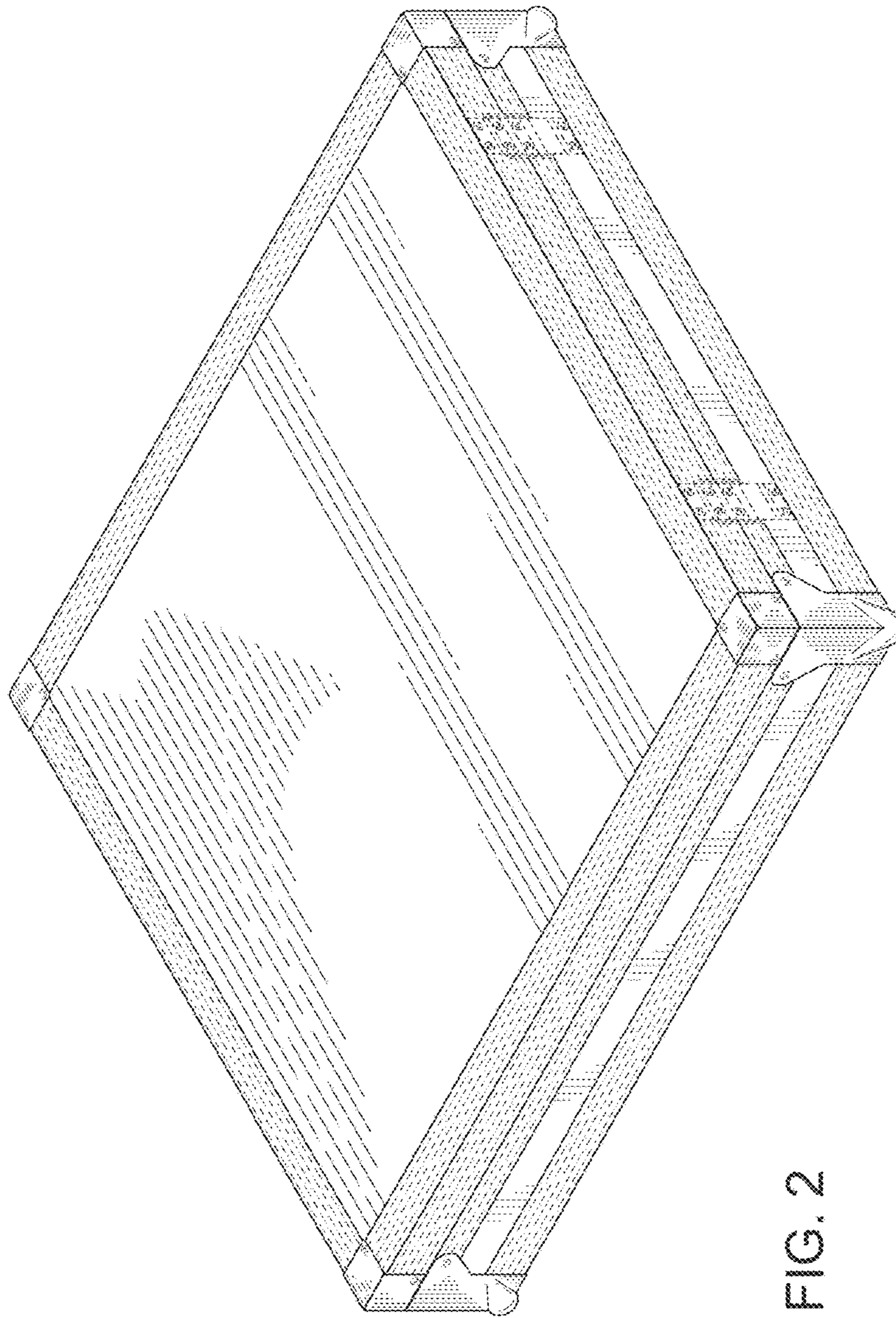


FIG. 2

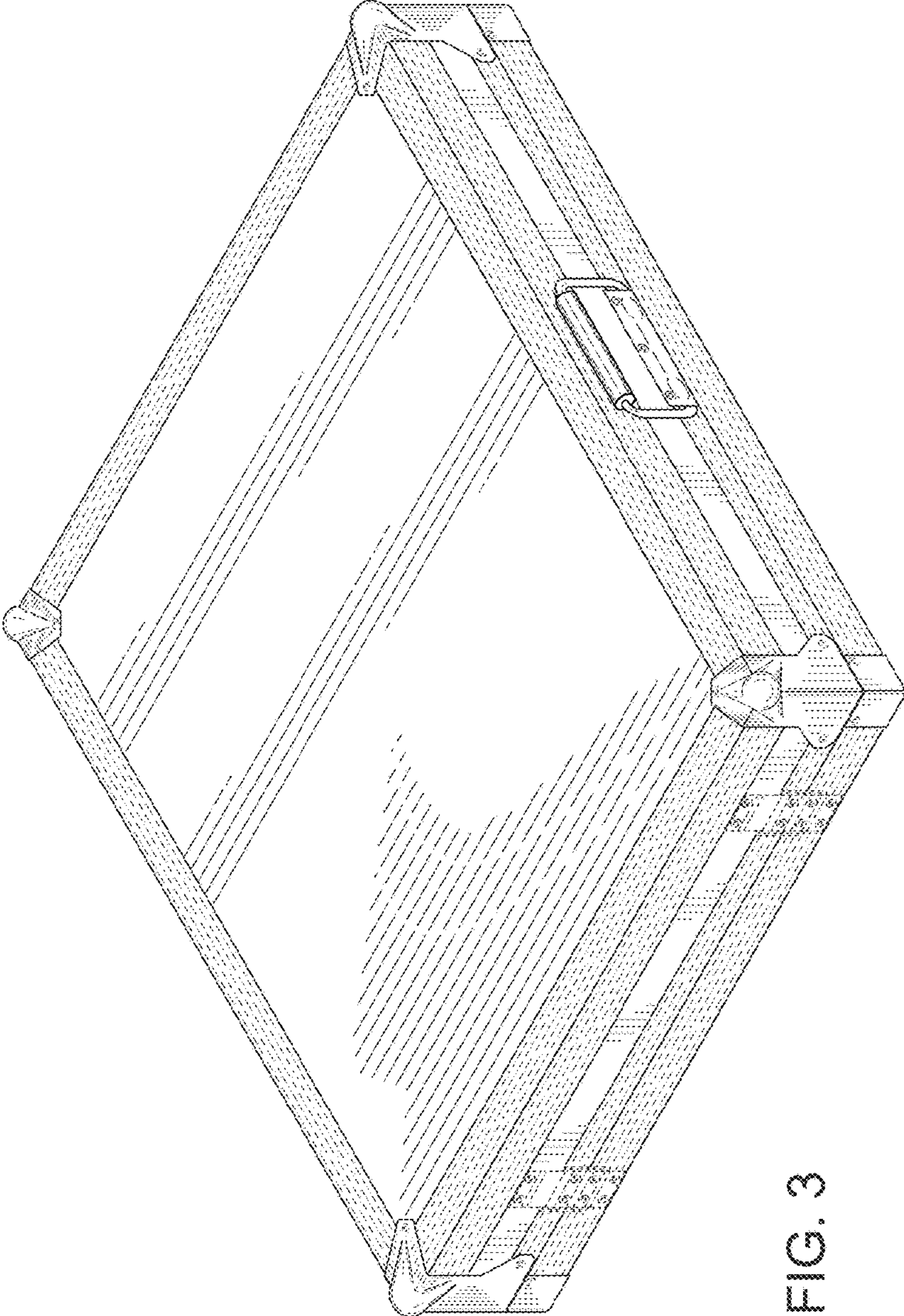


FIG. 3

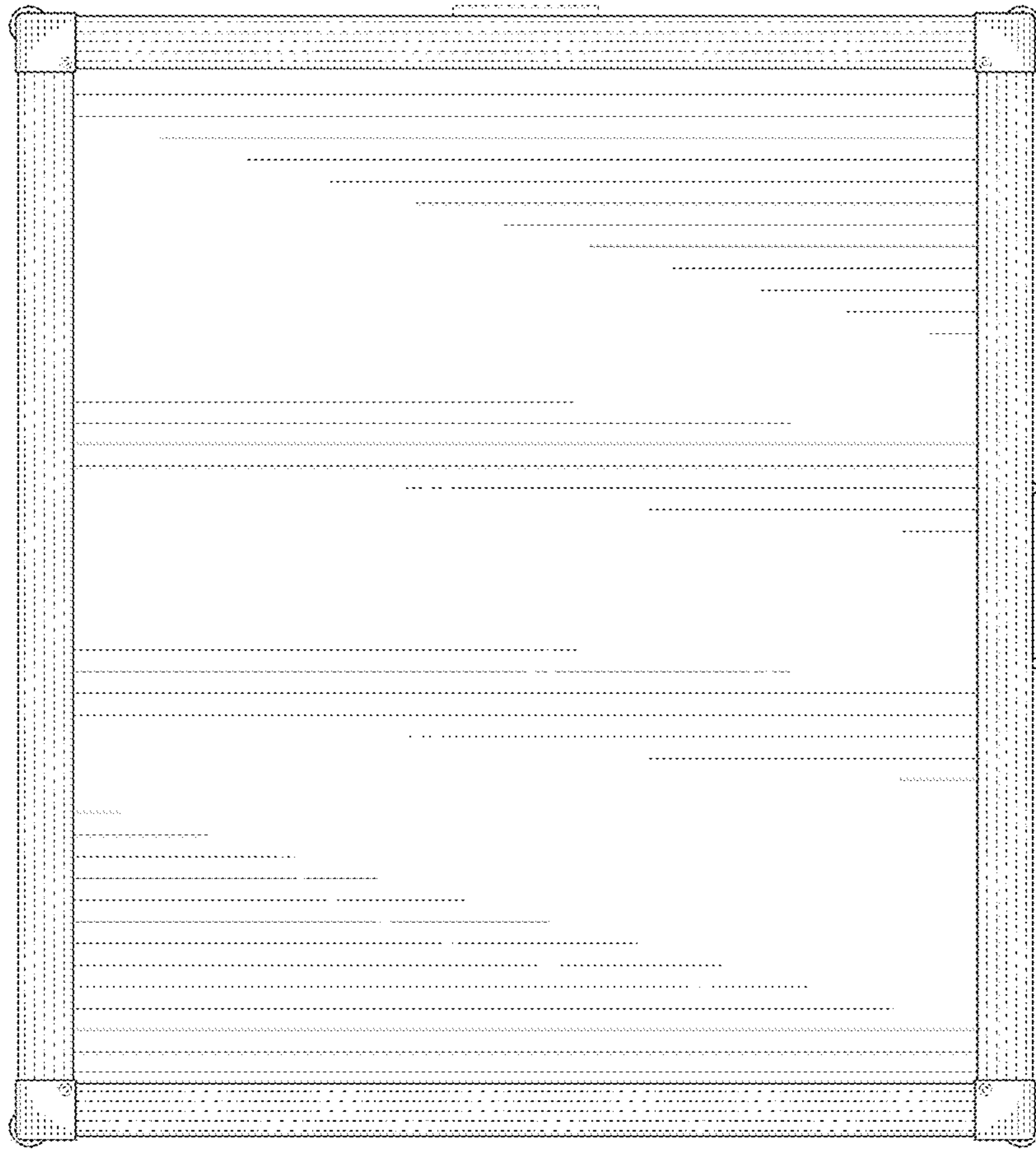


FIG. 4

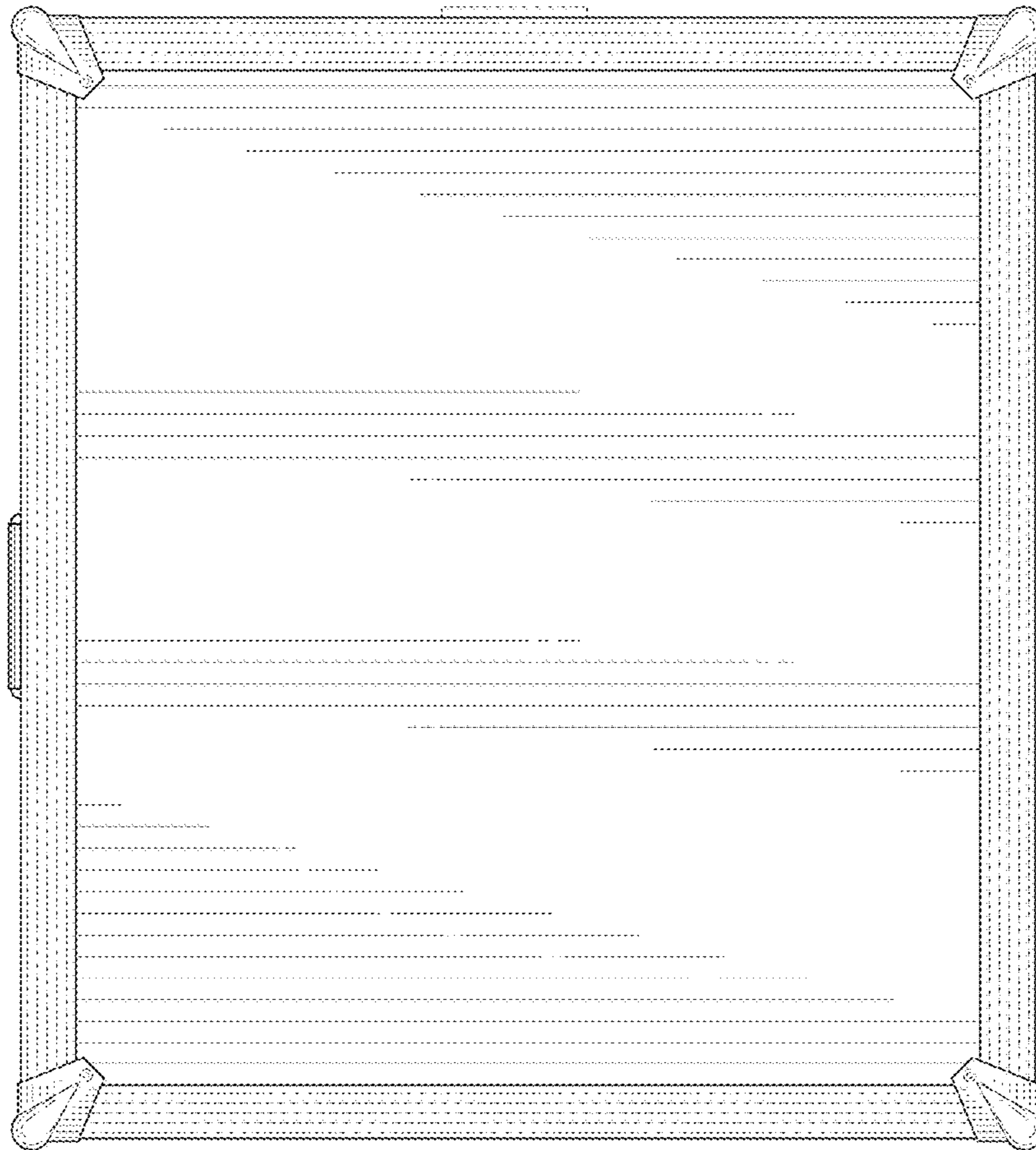


FIG. 5

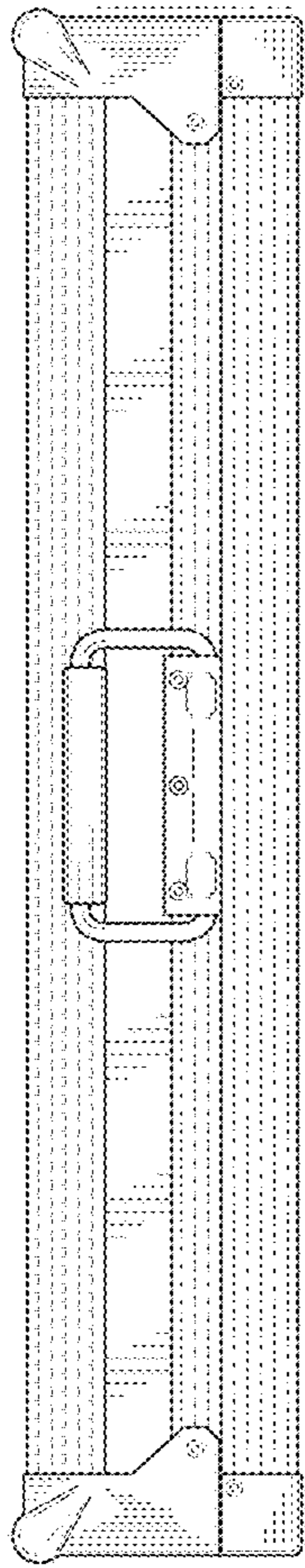


FIG. 6

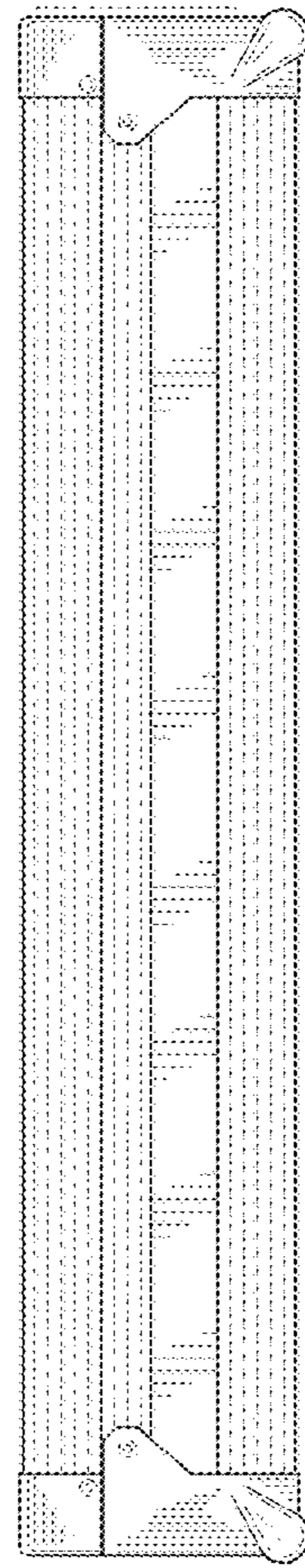


FIG. 7

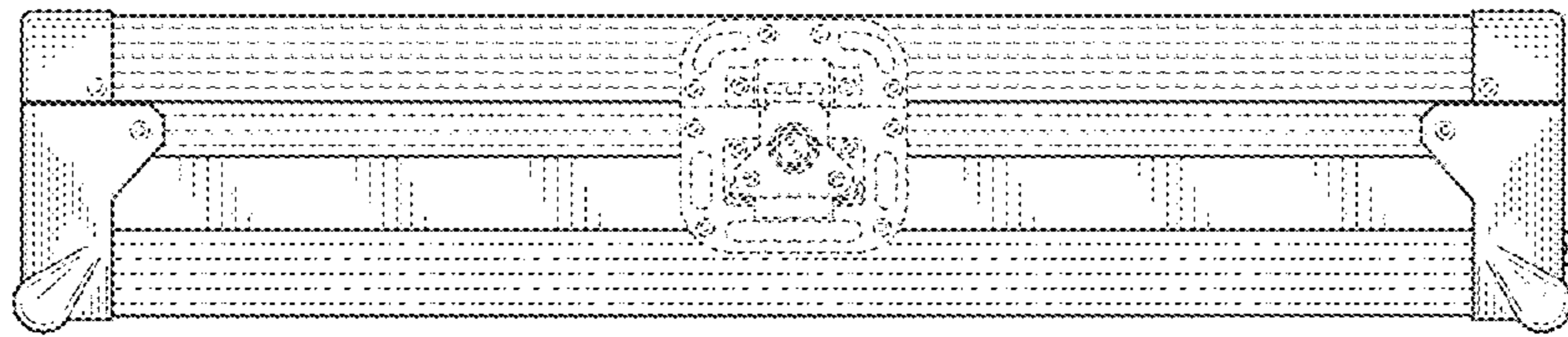


FIG. 8

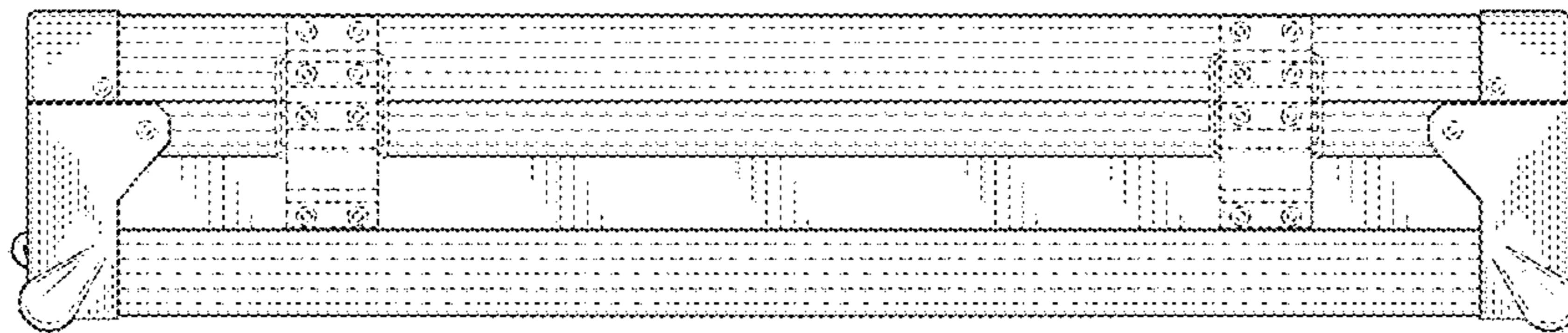


FIG. 9

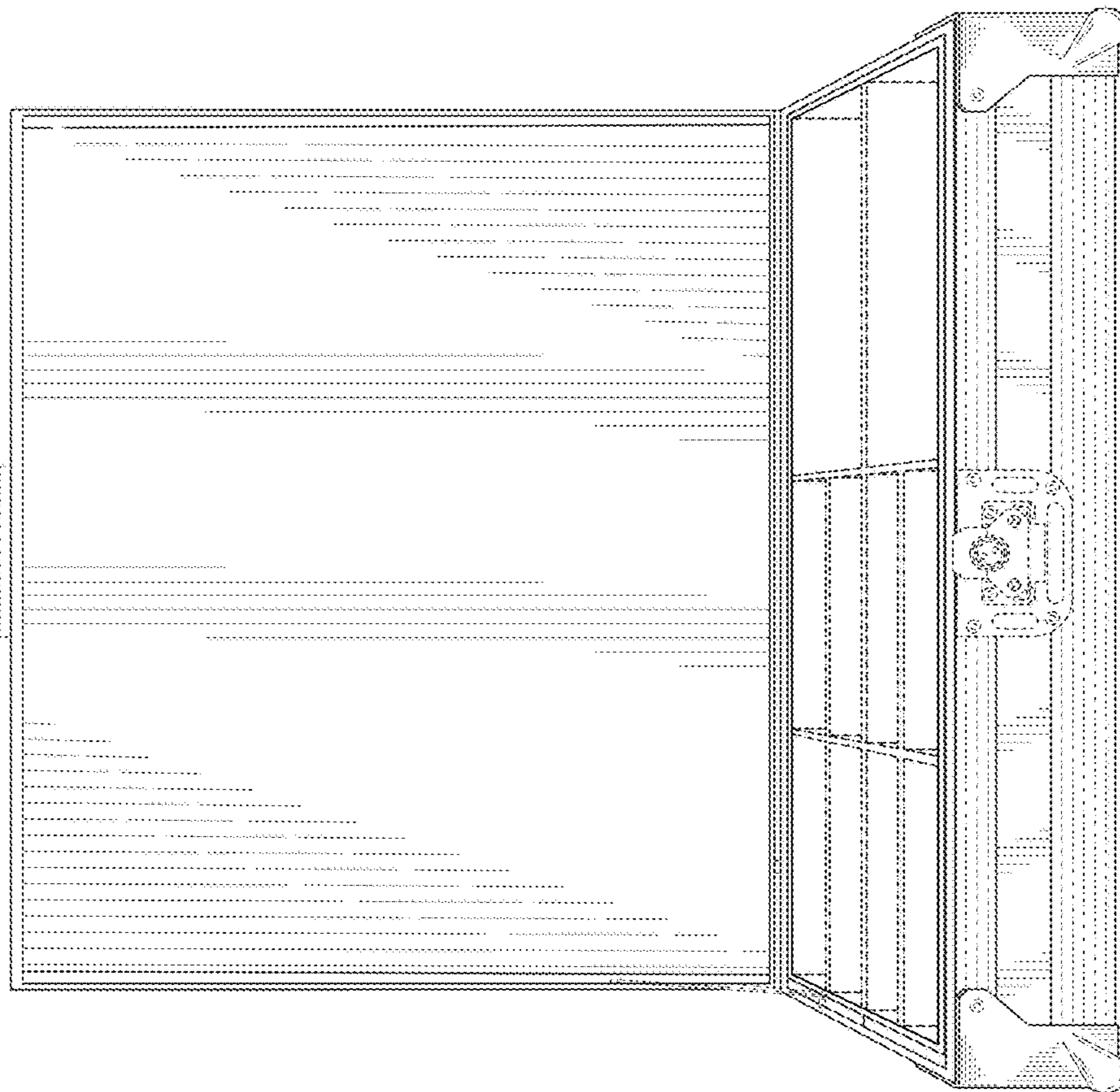


FIG. 10