



US00D844325S

(12) **United States Design Patent** (10) **Patent No.:** **US D844,325 S**
Nelson (45) **Date of Patent:** **** Apr. 2, 2019**

(54) **STORAGE TOTE**
(71) Applicant: **Home Depot Product Authority, LLC**,
Atlanta, GA (US)
(72) Inventor: **Michael Nelson**, Peachtree City, GA
(US)
(73) Assignee: **Home Depot Product Authority, LLC**,
Atlanta, GA (US)

D648,535 S 11/2011 Reinhart et al.
D649,783 S * 12/2011 Brunner D3/279
D650,174 S 12/2011 Ahistrom
D657,143 S 4/2012 Jowett
D658,376 S 5/2012 Ahistrom
D663,952 S * 7/2012 Crevling, Jr. D3/274
D710,100 S * 8/2014 Brunner D3/279
D719,731 S 12/2014 Burgess et al.
D738,623 S 9/2015 Wood
D743,171 S * 11/2015 Reinhart D3/279
D765,974 S * 9/2016 Tonelli D3/279
D791,478 S 7/2017 Jowett et al.

(**) Term: **15 Years**

(21) Appl. No.: **29/631,429**

(22) Filed: **Dec. 29, 2017**

(51) **LOC (11) Cl.** **03-01**

(52) **U.S. Cl.**
USPC **D3/279; D3/905**

(58) **Field of Classification Search**
USPC D3/201, 203.6, 205, 203.1, 232, 259,
D3/260, 273, 272, 276, 279, 282, 284,
D3/302, 294, 900, 905, 904; D9/414,
D9/418, 430, 432, 433, 425
CPC B25H 3/00; B25H 3/02; A45C 5/00; A45C
5/04; A45C 5/08; A45C 2011/007; A45C
11/00

See application file for complete search history.

(56) **References Cited**

U.S. PATENT DOCUMENTS

D197,311 S * 1/1964 Spaak et al. 206/509
D397,552 S 9/1998 Rutledge
D432,787 S 10/2000 Holahan
6,318,713 B1 * 11/2001 Levi B25H 1/04
206/216
D574,150 S * 8/2008 Ross D3/272
D580,170 S 11/2008 Klotzman et al.
D597,383 S 8/2009 Masterton et al.
D606,306 S 12/2009 Monte
D607,207 S * 1/2010 Horiyama D3/279

OTHER PUBLICATIONS

Global Industrial, "United Solutions 2463 Roughneck Jumbo Wheeled Tote 45 Gallon Dark Indigo Metallic", Earliest review Jan. 6, 2014. (<https://www.globalindustrial.com/p/storage/bins-totes-containers/shipping-security/rubbermaid-roughneck-jumbo-wheeled-hinged-tote-45-gallon-gray-270147>) (Year: 2014).*

(Continued)

Primary Examiner — Jennifer Rivard
Assistant Examiner — April Rivas
(74) *Attorney, Agent, or Firm* — Greenberg Traurig, LLP

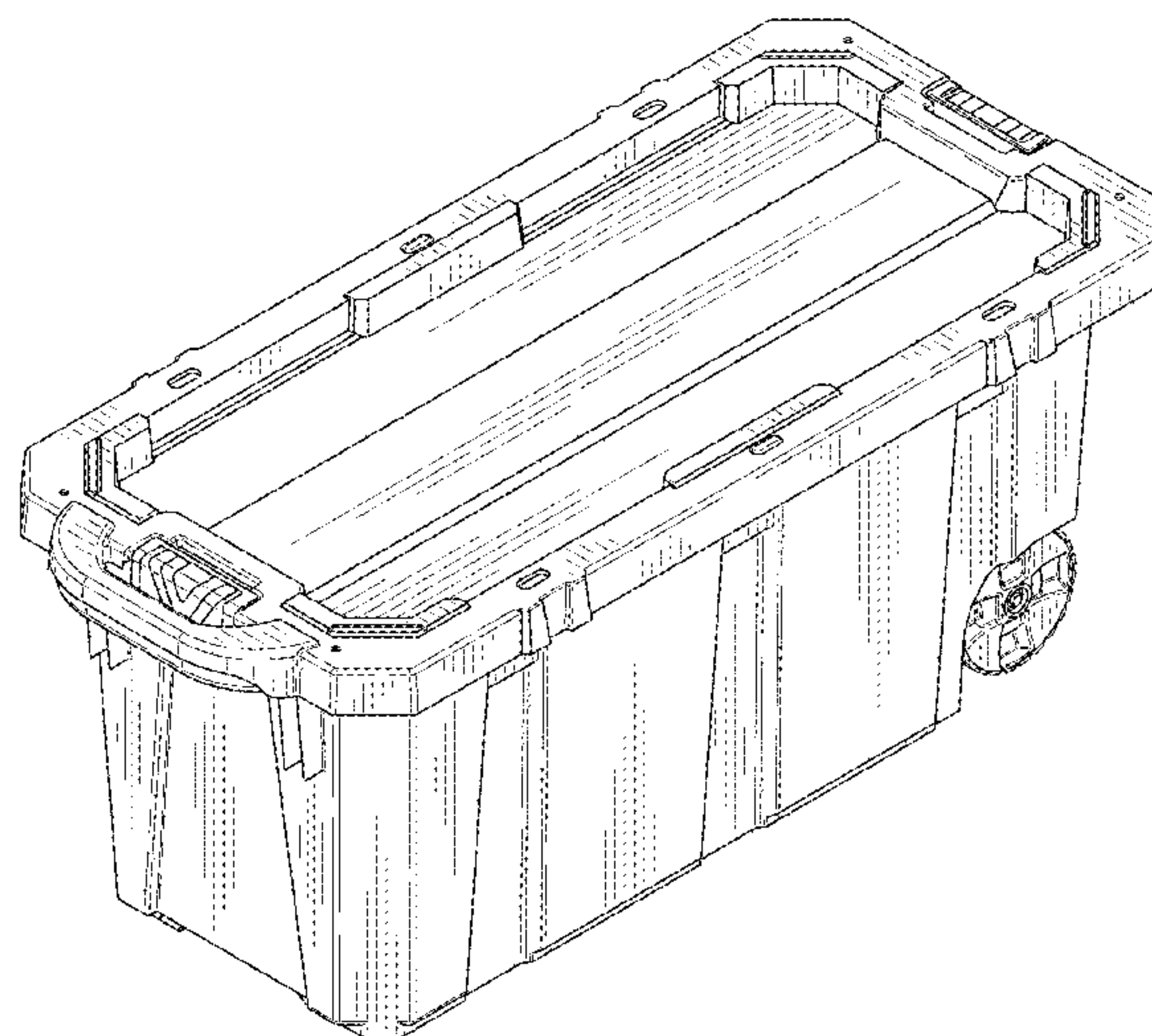
(57) **CLAIM**

I claim the ornamental design for a storage tote, as shown and described.

DESCRIPTION

FIG. 1 is a front perspective view of my design;
FIG. 2 is a rear perspective view thereof;
FIG. 3 is a front view thereof;
FIG. 4 is a rear view thereof;
FIG. 5 is a left side view thereof, the right side being a mirror image thereof;
FIG. 6 is a top view thereof; and,
FIG. 7 is a bottom view thereof.

1 Claim, 7 Drawing Sheets



(56)

References Cited

U.S. PATENT DOCUMENTS

D794,958 S * 8/2017 Reinhart D3/307
2014/0197059 A1* 7/2014 Evans B25H 3/02
206/349

OTHER PUBLICATIONS

The Container Store, “Iris 44 gal. Storage Tote with Wheels”,
Earliest Review Dec. 23, 2010. (<https://www.containerstore.com/s/garage/storage-bags-boxes/iris-44-gal.-storage-tote-with-wheels/12d?productId=11005991>) (Year: 2010).*

[https://www.walmart.com/ip/Rubbermaid-Roughneck-Storage-Tote/117698092?wmlspartner . . .](https://www.walmart.com/ip/Rubbermaid-Roughneck-Storage-Tote/117698092?wmlspartner...), Rubbermaid Roughneck Storage Tote,
Dec. 8, 2017, 3 pgs.

<https://www.walmart.com/ip/Sterilite-50-Gal-189-L-Stacker-Tote-Black/43393267>, Sterilite, 50 Gal./189 L Stacker Tote, Black, Dec.
8, 2017, 11 pgs.

[https://www.homedepot.com/p/HDX-27-Gal-Storage-Tote-in-Black-5-Pack-HDX27GON . . .](https://www.homedepot.com/p/HDX-27-Gal-Storage-Tote-in-Black-5-Pack-HDX27GON...), HDX 27 Gal. Storage Tote in Black
(5-Pack), Dec. 8, 2017, 3 pgs.

[https://www.target.com/p/sterilite-174-108-qt-industrial-utility-storage-tote-black-with-red . . .](https://www.target.com/p/sterilite-174-108-qt-industrial-utility-storage-tote-black-with-red...), Sterilite 108 Qt Industrial Utility Storage
Tote—Black with Red Latch, Dec. 8, 2017, 4 pgs.

* cited by examiner

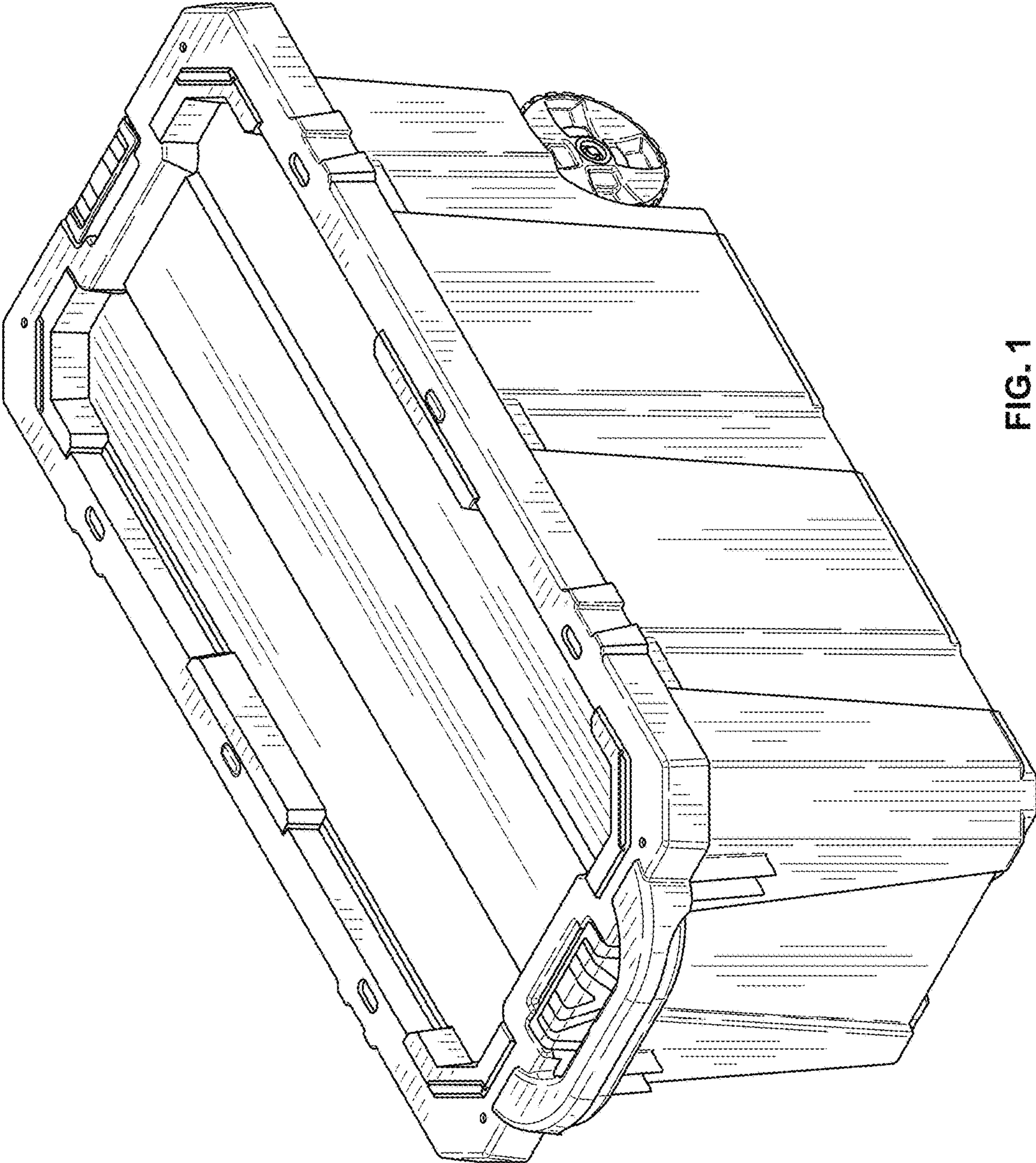


FIG. 1

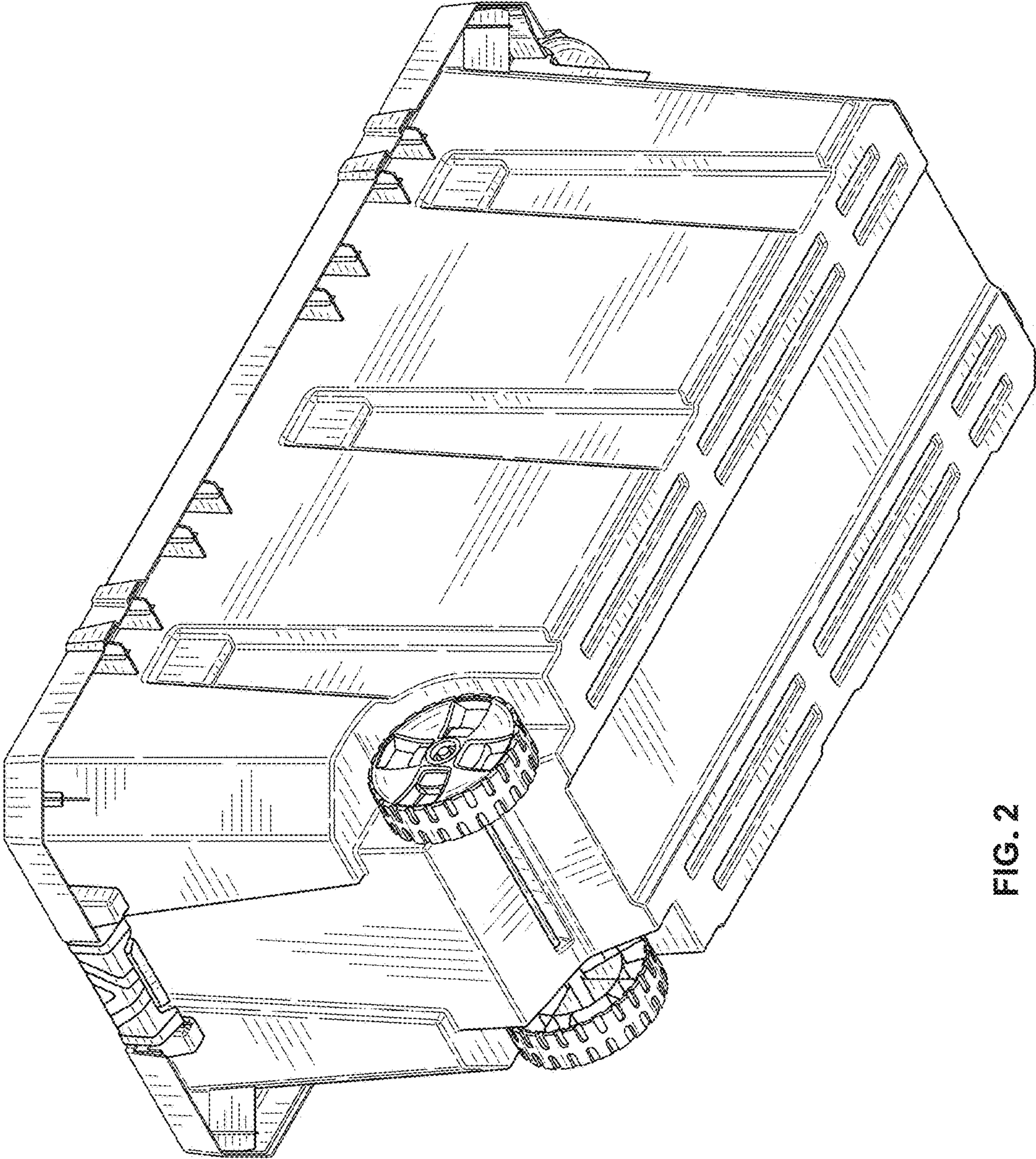


FIG. 2

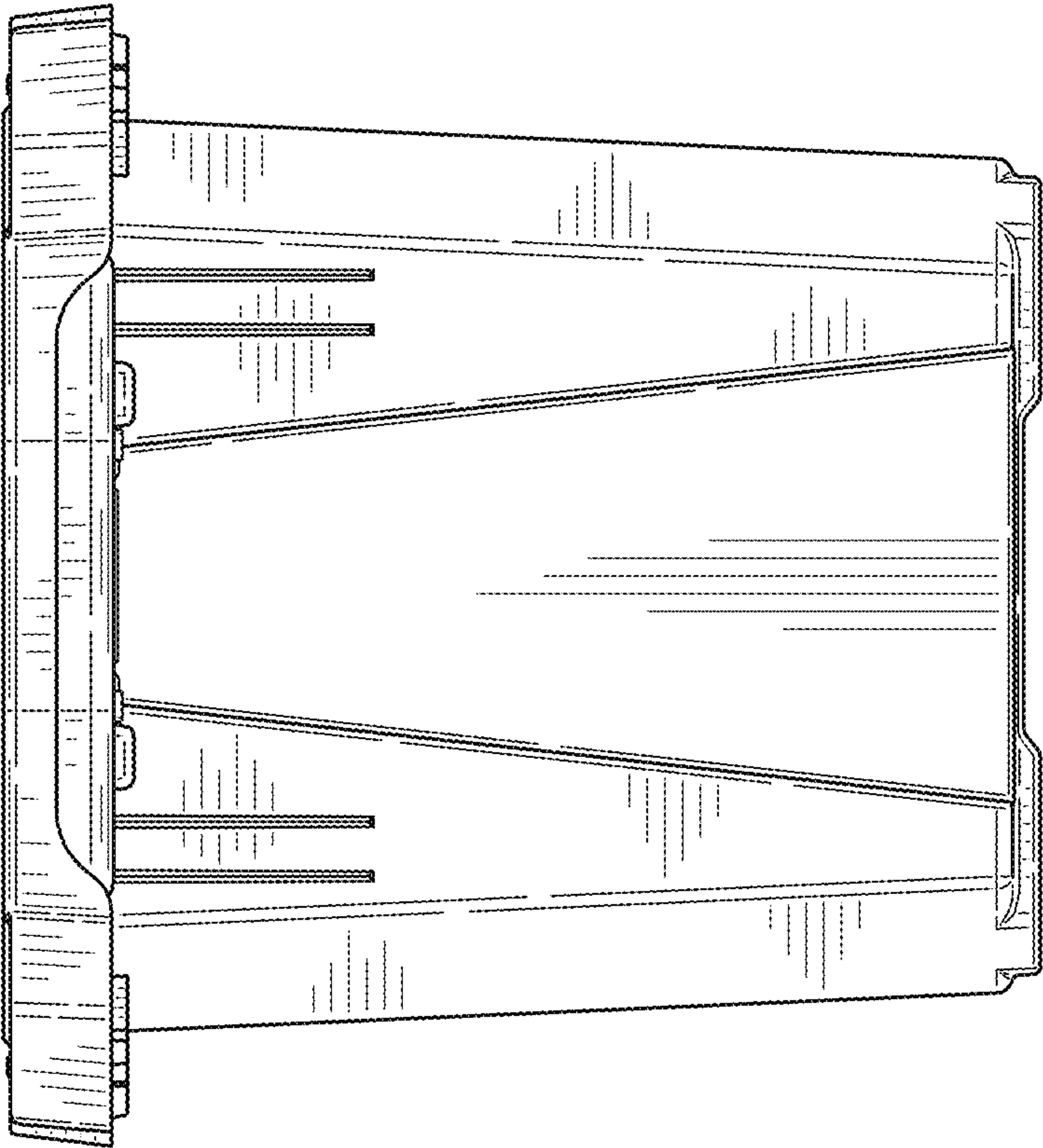


FIG. 3

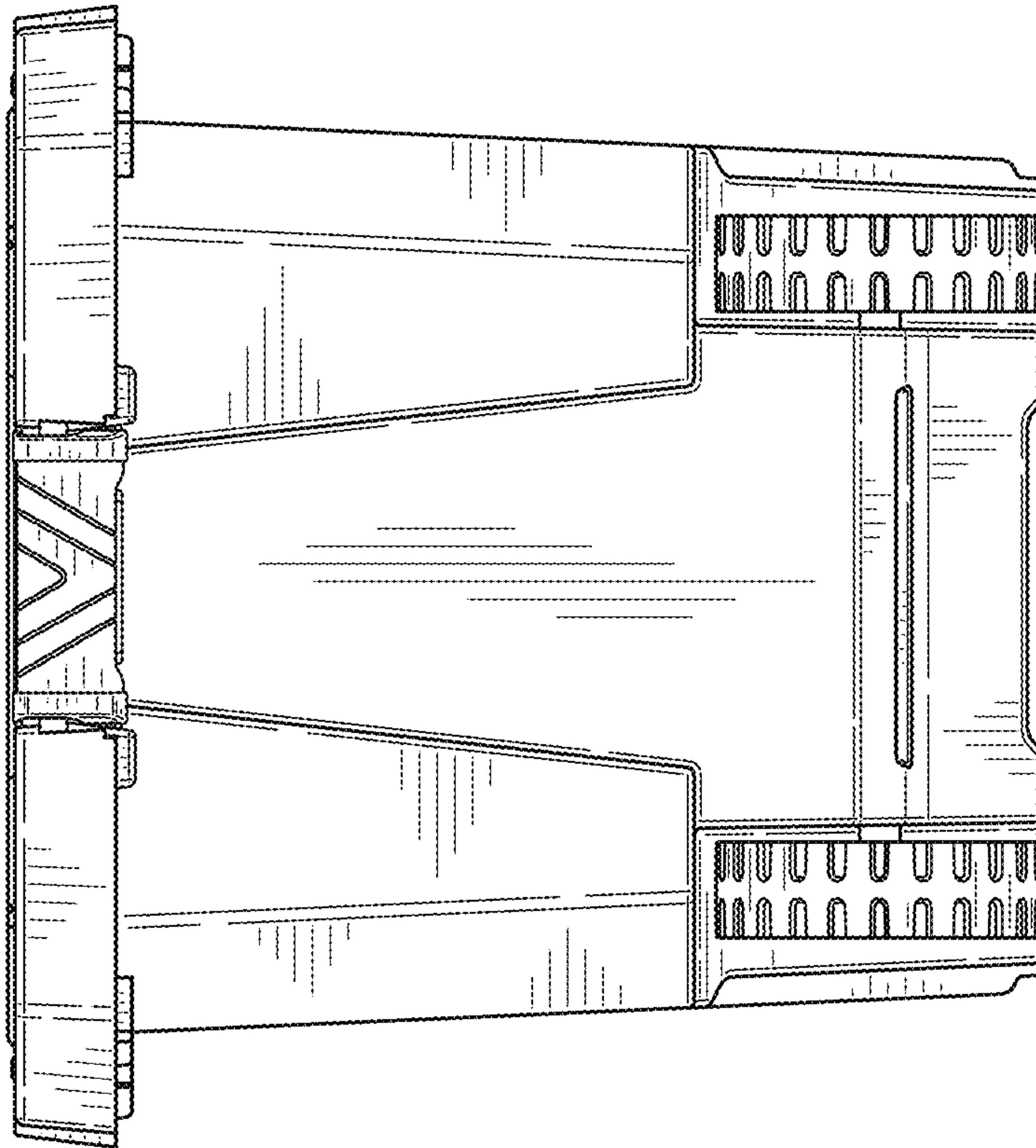


FIG. 4

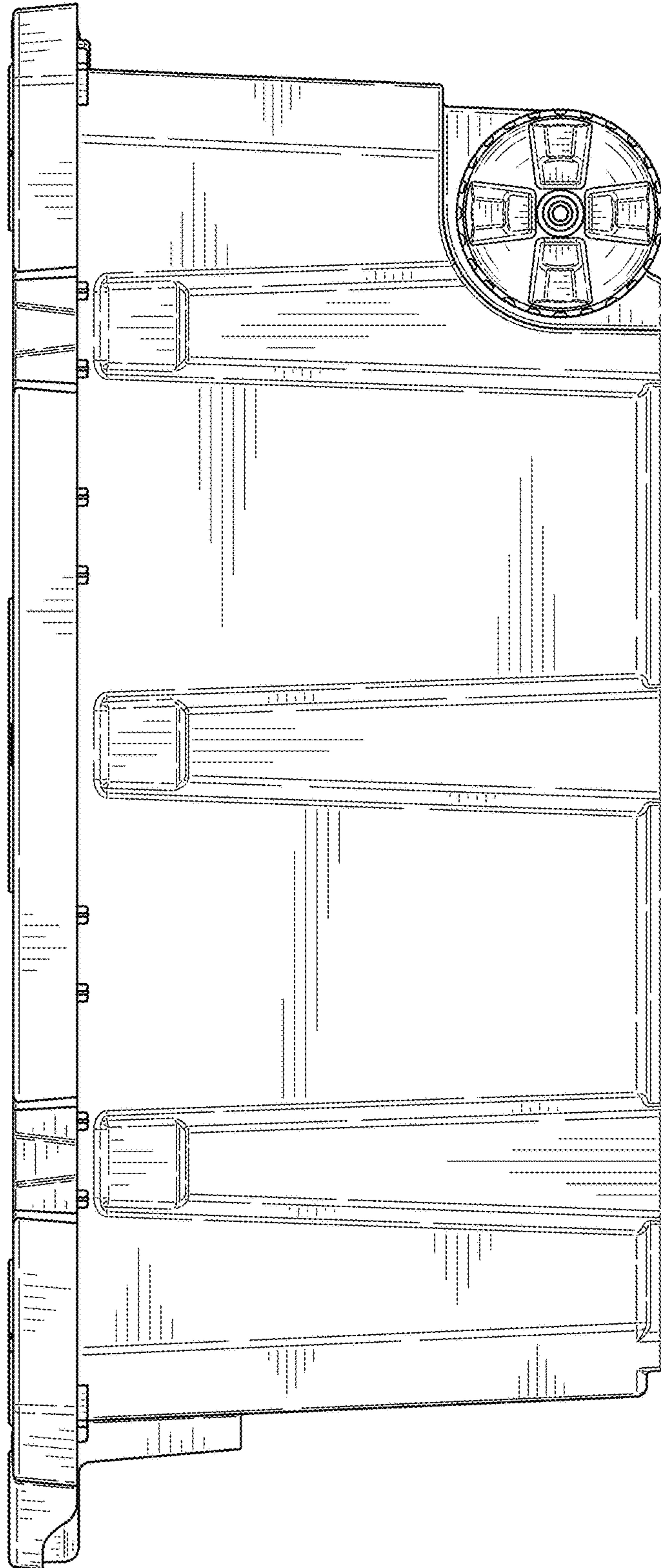


FIG. 5

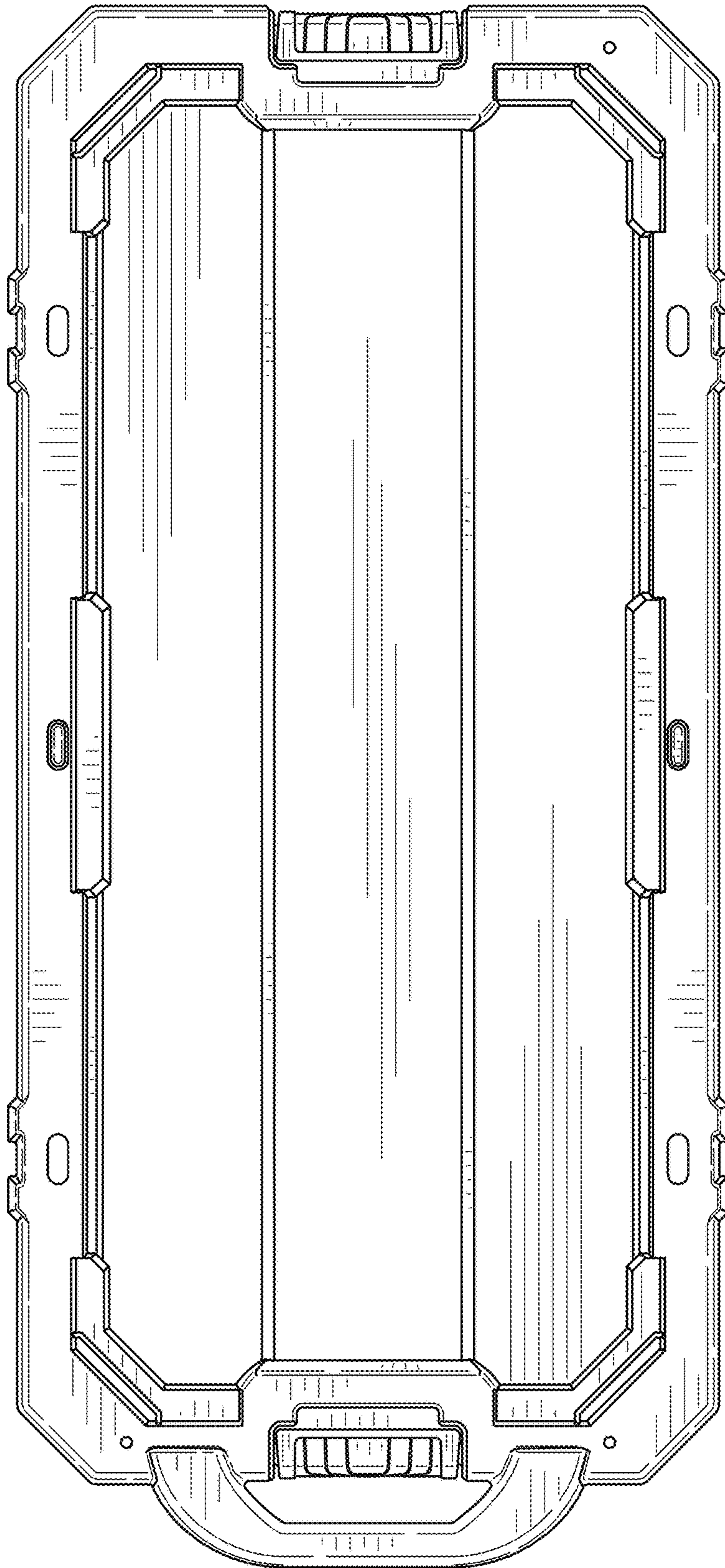


FIG. 6

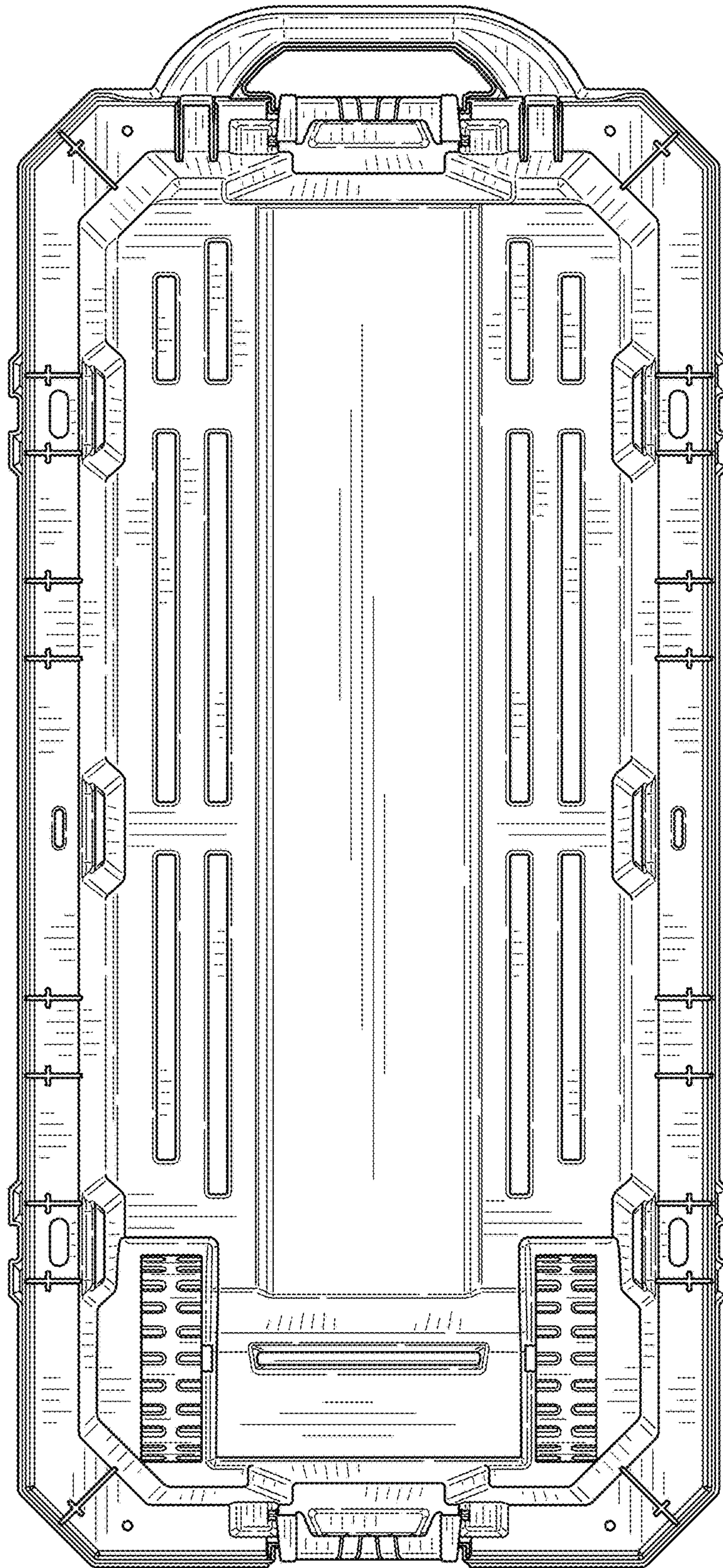


FIG. 7