



US00D844324S

(12) **United States Design Patent** (10) **Patent No.:** **US D844,324 S**
Hoppe et al. (45) **Date of Patent:** **** Apr. 2, 2019**

(54) **BAG**
(71) Applicant: **Milwaukee Electric Tool Corporation**,
Brookfield, WI (US)
(72) Inventors: **Christopher S. Hoppe**, Milwaukee, WI
(US); **Steven W. Hyma**, Milwaukee,
WI (US); **Grant T. Squiers**, Cudahy,
WI (US); **Michael Stearns**, Milwaukee,
WI (US)
(73) Assignee: **Milwaukee Electric Tool Corporation**,
Milwaukee, WI (US)
(**) Term: **15 Years**
(21) Appl. No.: **29/592,233**
(22) Filed: **Jan. 27, 2017**

2,826,426 A	3/1958	Vaughn
2,883,184 A	4/1959	Brewington
3,177,023 A	4/1965	Nuckols
3,259,411 A	7/1966	Griffiths
3,394,955 A	7/1968	Martin
3,446,304 A	5/1969	Constantin
3,606,372 A	9/1971	Browning
3,817,419 A	6/1974	Moller
3,842,953 A	10/1974	Royet
3,851,756 A	12/1974	Brown
3,924,844 A	12/1975	Bachtel, Jr.
3,948,365 A	4/1976	Gregg
3,989,128 A	11/1976	Walker
3,997,038 A	12/1976	Walker
4,036,336 A	7/1977	Burtley
4,062,429 A	12/1977	Tabor
4,087,102 A	5/1978	Sprague
4,105,112 A	8/1978	Graf
4,222,580 A	9/1980	Krokonko
4,228,877 A	10/1980	Cothary
D258,705 S	3/1981	Wheeler
4,254,850 A	3/1981	Knowles
4,261,447 A	4/1981	Arias
D259,154 S	5/1981	White, Jr. et al.
4,278,187 A	7/1981	Luedtke
4,288,134 A	9/1981	Knaack
4,353,182 A	10/1982	Junkas
D272,203 S	1/1984	Di Bartolo
4,561,526 A	12/1985	Winter
4,566,616 A	1/1986	Rise
4,575,109 A	3/1986	Cowdery
4,588,055 A	5/1986	Chen
D284,623 S *	7/1986	Gerch D3/274
4,630,837 A	12/1986	Kazmark
D300,986 S *	5/1989	Peregrine D3/289
4,846,493 A	7/1989	Mason
4,852,705 A	8/1989	Cowan, Jr.
4,890,414 A	1/1990	Bridenthal
4,923,105 A	5/1990	Snyder
D309,981 S	8/1990	French et al.
D316,485 S	4/1991	Seber
5,035,523 A	7/1991	Allinder
5,042,193 A	8/1991	Steiner
5,048,649 A	9/1991	Carpenter
5,108,119 A	4/1992	Huang
5,116,289 A	5/1992	Pond
D326,815 S	6/1992	Meisner et al.
5,147,019 A	9/1992	Van Hooreweder
5,165,148 A	11/1992	Fleischer
5,167,306 A	12/1992	Carrigan, Jr.
5,167,354 A	12/1992	Cohanfard
D333,215 S	2/1993	Brown
D333,487 S	2/1993	Papp

Related U.S. Application Data

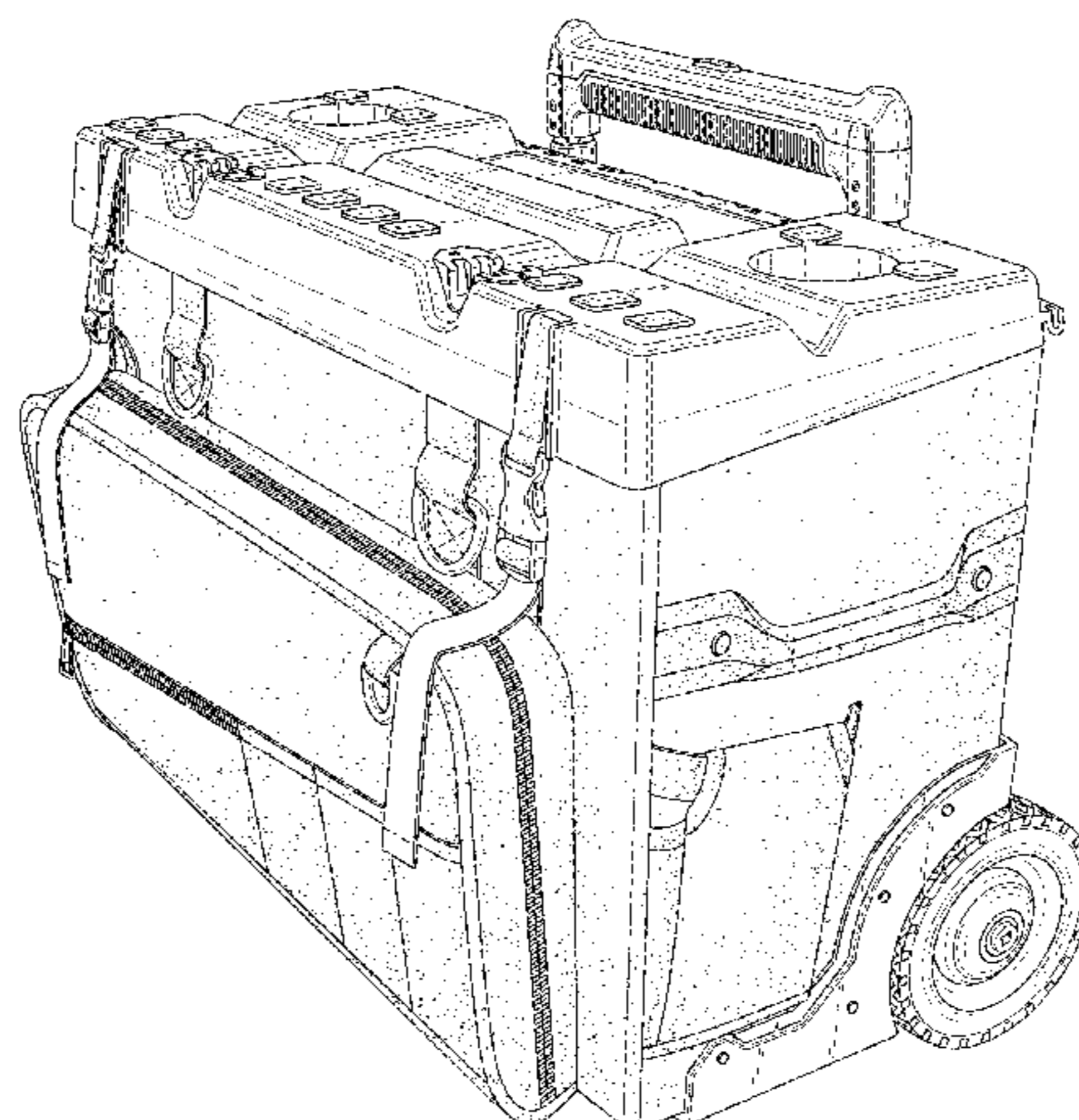
(63) Continuation-in-part of application No. 14/802,539,
filed on Jul. 17, 2015, now Pat. No. 9,616,562.
(51) **LOC (11) Cl.** **03-01**
(52) **U.S. Cl.**
USPC **D3/279**; D3/905
(58) **Field of Classification Search**
USPC D3/203.6, 217, 218, 233, 249, 269, 274,
D3/276, 279, 282, 284, 288, 289, 290,
D3/900, 901, 902, 905, 313, 903, 272,
D3/302, 261
CPC .. B65D 85/68; A45C 3/00; A45C 5/00; A45C
2003/007; A45C 2003/008; A45C 5/03;
A45C 5/04; A45C 7/0036; A45C
2009/007; A45C 11/16; A45C 7/00; A45C
7/0059

See application file for complete search history.

(56) **References Cited**

U.S. PATENT DOCUMENTS

1,275,862 A	8/1918	Danz
2,042,387 A	5/1936	Cobb
2,125,856 A	8/1938	De Witt
2,145,143 A	1/1939	Shepard
2,463,713 A	3/1949	Maurice
2,799,306 A	7/1957	Martin



US D844,324 S

5,184,477 A	2/1993	Brown	5,685,402 A	11/1997	Lin
5,207,440 A	5/1993	Liang	D386,903 S	12/1997	Curry et al.
5,209,327 A	5/1993	Wright	5,709,008 A	1/1998	Dickinson
5,228,609 A	7/1993	Gregory	D390,358 S	2/1998	Calmeise
5,228,706 A	7/1993	Boville	5,715,759 A	2/1998	Lee
5,249,438 A	10/1993	Rhaney	5,732,987 A	3/1998	Wright
5,287,903 A	2/1994	Ambasz	5,755,311 A	5/1998	Younessian
5,295,742 A	3/1994	Knutson	5,762,170 A	6/1998	Shyr
5,310,079 A	5/1994	Sandy	5,762,411 A	6/1998	Yemini
5,316,096 A	5/1994	Good	5,788,032 A	8/1998	Krulik
D347,731 S	6/1994	Hayakawa et al.	5,788,260 A	8/1998	Huang
5,323,886 A	6/1994	Chen	5,810,132 A	9/1998	Chang
5,323,887 A	6/1994	Sciicluna	5,819,892 A	10/1998	Deliman
5,330,141 A	7/1994	Kim	5,833,039 A	11/1998	Kotkins, Jr.
5,358,082 A	10/1994	Armstrong, IV	5,833,095 A	11/1998	Russell
5,368,143 A	11/1994	Pond	5,836,497 A	11/1998	Pelish
5,377,795 A	1/1995	Berman	D402,106 S	12/1998	Buckingham et al.
5,379,887 A	1/1995	Conley, Jr.	D402,463 S *	12/1998	Mettler D3/279
D355,849 S	2/1995	Trower et al.	5,862,898 A	1/1999	Chang
5,386,907 A	2/1995	Kahl	D405,956 S	2/1999	Meisner et al.
5,394,965 A	3/1995	Kho	5,865,281 A	2/1999	Wang
5,396,974 A	3/1995	Pedlar	5,890,570 A	4/1999	Sadow
5,429,287 A	7/1995	Frano	5,893,495 A	4/1999	Godshaw
5,431,262 A	7/1995	Rekuc	5,915,553 A	6/1999	Brown
5,435,423 A	7/1995	Rekuc	5,915,554 A	6/1999	Hung
5,447,216 A	9/1995	Freyvogel	5,924,533 A	7/1999	Cnockaert
5,447,261 A	9/1995	Mitomi	5,927,837 A	7/1999	Schmidt
5,452,778 A	9/1995	Wang	5,934,425 A	8/1999	Sadow
5,469,944 A	11/1995	Wang	5,941,437 A	8/1999	Okumura
5,470,000 A	11/1995	Munoz	5,943,936 A	8/1999	Deliman
5,474,162 A	12/1995	Shyr	D414,038 S	9/1999	van Rhienen
5,482,147 A	1/1996	Wang	D414,932 S *	10/1999	Platte, III D3/276
D368,159 S	3/1996	Calmeise et al.	5,967,270 A	10/1999	Shyr
5,498,010 A	3/1996	Stube	5,971,101 A	10/1999	Taggart
5,499,702 A	3/1996	Wang	5,992,588 A	11/1999	Morszeck
5,501,308 A	3/1996	King	5,997,116 A	12/1999	Schmidt
5,501,379 A	3/1996	Munoz	6,006,906 A	12/1999	Winnard
5,511,682 A	4/1996	Pace	D418,977 S	1/2000	Streich
5,513,066 A	4/1996	Berman	6,015,064 A	1/2000	Liu
5,518,139 A	5/1996	Trower	6,038,747 A	3/2000	Hamilton
D370,619 S	6/1996	Hall et al.	6,050,374 A	4/2000	Johnston
5,524,737 A	6/1996	Wang	6,062,357 A	5/2000	Bogert
5,524,920 A	6/1996	Tsai	6,073,766 A	6/2000	Winnard
5,528,453 A	6/1996	Berman	6,073,944 A	6/2000	Moore
5,529,230 A	6/1996	Smith	6,076,666 A	6/2000	Santa-Maria
5,529,322 A	6/1996	Barton	6,081,695 A	6/2000	Wallace
5,542,510 A	8/1996	Rekuc	6,082,538 A	7/2000	Snider
5,553,692 A	9/1996	Sheiman	6,098,768 A	8/2000	Tsai
D374,772 S	10/1996	Hotaling et al.	6,102,172 A	8/2000	Dercole
5,560,458 A	10/1996	Franklin	6,109,403 A	8/2000	Godshaw
5,560,459 A	10/1996	Lin	6,129,254 A	10/2000	Yu
5,562,208 A	10/1996	Hasler	6,167,680 B1	1/2001	Horn
5,564,538 A	10/1996	Sadow	6,167,994 B1	1/2001	Kuo et al.
5,564,805 A	10/1996	Dickinson	6,176,559 B1	1/2001	Tiramani
5,568,848 A	10/1996	Liang	6,179,185 B1	1/2001	Dancyger
D375,834 S	11/1996	Meisner et al.	D437,484 S *	2/2001	Tiramani D3/276
5,570,824 A	11/1996	Lyon	D437,684 S	2/2001	Streich et al.
5,575,391 A	11/1996	Gerch	6,182,981 B1	2/2001	Kuo
5,579,877 A	12/1996	Homayoon	6,186,295 B1	2/2001	Lin
5,580,137 A	12/1996	Doan	6,203,075 B1	3/2001	Wells, Jr.
5,588,569 A	12/1996	Mitomi	6,206,063 B1	3/2001	Lin
D377,118 S	1/1997	Carbone et al.	6,213,296 B1	4/2001	Streich
5,593,009 A	1/1997	King	6,227,339 B1	5/2001	Bogert
5,595,228 A	1/1997	Meisner	6,230,887 B1	5/2001	Snider
5,605,263 A	2/1997	Pursley	6,244,485 B1	6/2001	Holland
D378,247 S	3/1997	Meisner et al.	6,244,486 B1	6/2001	Holland
5,609,278 A	3/1997	Fresco	D447,340 S	9/2001	Snider
5,620,212 A	4/1997	Bourne	D447,630 S	9/2001	Snider
5,630,488 A	5/1997	Chen	D448,162 S	9/2001	Snider
5,639,003 A	6/1997	Utzinger, III	6,289,554 B1	9/2001	Wang
5,641,170 A	6/1997	Helm	D449,442 S	10/2001	Snider
5,645,146 A	7/1997	Bieber	D449,738 S	10/2001	Snider
5,653,337 A	8/1997	Cirigliano	6,301,746 B1	10/2001	Myers
5,660,276 A	8/1997	Winnard	6,305,514 B1	10/2001	Lin
5,667,172 A	9/1997	Kim	6,318,713 B1	11/2001	Levi
5,671,832 A	9/1997	London	D451,275 S	12/2001	Snider
5,672,145 A	9/1997	Pollington	D452,071 S	12/2001	Snider
D385,110 S	10/1997	Yemini	6,328,320 B1	12/2001	Walski
5,678,666 A	10/1997	Shyr	D453,624 S	2/2002	Guy

US D844,324 S

Page 3

6,343,708 B1	2/2002	Riso	7,008,031 B2	3/2006	Doerflinger
6,343,815 B1	2/2002	Poe	7,021,637 B2	4/2006	Snider
6,347,847 B1	2/2002	Tiramani	D520,746 S	5/2006	Meyer
6,357,567 B1	3/2002	Tsai	7,036,641 B2	5/2006	Russo
D455,263 S	4/2002	Klaus	7,048,133 B2	5/2006	Pangerc
6,367,603 B1	4/2002	Tiramani	7,066,311 B2	6/2006	O'Shea
6,371,320 B2	4/2002	Sagol	7,073,694 B2	7/2006	King
6,371,346 B1	4/2002	Sharma	7,104,555 B1	9/2006	Davis
6,390,348 B1	5/2002	Godshaw	7,108,131 B2	9/2006	Dreher
D459,073 S	6/2002	Man-Tat	7,111,853 B2	9/2006	Tracewell
6,405,864 B1	6/2002	Streich	7,117,991 B2	10/2006	Waring
6,408,996 B1	6/2002	Lin	7,121,407 B2	10/2006	Hurt
6,415,924 B1	7/2002	Lee	7,144,020 B2	12/2006	Huguet
6,435,389 B1	8/2002	Sucher	7,147,089 B2	12/2006	Godshaw
D462,168 S	9/2002	Klemmensen	7,158,376 B2	1/2007	Richardson
6,443,274 B1	9/2002	Klamm	7,163,337 B2	1/2007	Penson
6,446,988 B1	9/2002	Kho	7,168,713 B2	1/2007	Udall
6,460,668 B1	10/2002	Godshaw	7,201,243 B2	4/2007	Konstant
6,471,019 B1	10/2002	Miller	7,225,923 B2	6/2007	Hallee
D465,923 S	11/2002	Pangerc	7,228,983 B2	6/2007	Pangerc
6,474,665 B1	11/2002	Fink	7,237,673 B2	7/2007	Wikle
6,478,463 B2	11/2002	Snider	7,237,688 B2	7/2007	Pangerc
6,484,362 B1	11/2002	Kuo	7,240,909 B2	7/2007	Robens
D467,070 S	12/2002	Snider	7,246,704 B2	7/2007	Brunson
6,502,882 B2	1/2003	Snider	7,270,223 B2	9/2007	Miller
6,505,843 B1	1/2003	Williams	7,296,808 B2	11/2007	Huguet
D470,659 S	2/2003	Story	7,316,309 B2	1/2008	Streich
6,520,514 B2	2/2003	Clegg	7,318,542 B2	1/2008	Godshaw
D471,360 S	3/2003	Huang	7,322,470 B2	1/2008	Brunson
6,527,309 B1	3/2003	Gaydos	7,322,583 B2	1/2008	Kim et al.
6,530,507 B2	3/2003	Oh	7,326,428 B2	2/2008	Weir
6,533,138 B2	3/2003	Chwen-Ru	7,331,454 B2	2/2008	Godshaw
D472,385 S	4/2003	Bauer	7,334,680 B2	2/2008	Cunningham
D472,774 S	4/2003	Pelstring	D563,669 S	3/2008	Bosak
6,550,651 B1	4/2003	Murdoch	7,357,250 B2	4/2008	Hagemann
6,561,327 B1	5/2003	Godshaw	7,357,268 B2	4/2008	Yang
6,561,402 B2	5/2003	Holland	7,367,451 B2	5/2008	Pendergraph
6,571,998 B2	6/2003	Godshaw	7,370,891 B1	5/2008	Schmitt
6,578,708 B2	6/2003	Barnett	7,374,183 B1	5/2008	Yen-Lung
6,595,334 B1	7/2003	Saetia	7,387,304 B1	6/2008	Rich
6,614,337 B1	9/2003	Winnard	7,387,305 B2	6/2008	Vanderberg
6,622,856 B2	9/2003	Gallo	7,387,350 B2	6/2008	Killinger
D480,867 S	10/2003	Snider	7,389,997 B2	6/2008	Johnson
6,637,562 B2	10/2003	Oh	D572,479 S	7/2008	Buck
6,666,363 B2	12/2003	Godshaw	D572,480 S	7/2008	Buck
6,675,965 B2	1/2004	Holland	7,401,698 B2	7/2008	Dost
6,675,967 B2	1/2004	Huang	7,401,700 B2	7/2008	Dost
6,688,614 B2	2/2004	Hsu	7,416,066 B2	8/2008	Chernoff
6,692,011 B2	2/2004	Carlson	7,418,846 B2	9/2008	James
6,695,142 B2	2/2004	Chen	7,438,084 B2	10/2008	Trettin
6,698,609 B2	3/2004	Pangerc	7,438,308 B2	10/2008	Kim
6,722,524 B1	4/2004	Huang	7,458,601 B2	12/2008	Miller
6,736,265 B2	5/2004	Kipper	7,461,730 B2	12/2008	Costa
6,739,150 B2	5/2004	Mompo Garcia	7,467,695 B2	12/2008	Gormick
6,742,684 B2	6/2004	Oh	7,478,711 B2	1/2009	Liang
6,755,302 B1	6/2004	Streich	D588,811 S	3/2009	Wenchel
6,755,448 B2	6/2004	Jackson	7,500,547 B2	3/2009	Bettua
6,758,534 B2	7/2004	Lampugnani	7,503,439 B2	3/2009	O'Shea
6,761,366 B1	7/2004	Klemmensen	7,503,440 B2	3/2009	Gormick
6,789,670 B2	9/2004	Cooper	7,503,569 B2	3/2009	Duvigneau
6,820,878 B2	11/2004	Safari	D589,703 S	4/2009	Wenchel
6,840,359 B2	1/2005	Godshaw	7,516,502 B1	4/2009	Larson
6,860,059 B1	3/2005	Hoover	7,540,364 B2	6/2009	Sanderson
D505,548 S	5/2005	Yang	7,552,560 B2	6/2009	Hoover
6,910,560 B2	6/2005	Dulin	7,552,950 B2	6/2009	Scheffy
6,915,902 B2	7/2005	Brouard	7,571,915 B1	8/2009	Simmons
6,923,352 B2	8/2005	Oh	D599,112 S	9/2009	Wenchel
6,926,129 B2	8/2005	Hoberman	D600,015 S	9/2009	Wenchel
D509,656 S	9/2005	Pangerc	D600,912 S	9/2009	Brunner
6,938,740 B2	9/2005	Gandy	7,581,736 B1	9/2009	Garza, Jr.
6,938,741 B2	9/2005	Hsien	7,591,627 B2	9/2009	Westover
6,948,724 B2	9/2005	Davis	7,594,569 B2	9/2009	Bass
6,955,381 B2	10/2005	Parker	D601,797 S	10/2009	Wenchel
6,976,566 B1	12/2005	Skriloff	7,597,341 B2	10/2009	Russo
6,978,890 B2	12/2005	Pangerc	7,600,618 B2	10/2009	Fenton
7,004,481 B1	2/2006	Stanish	7,600,640 B2	10/2009	Hallee
D516,310 S	3/2006	Brunson	D605,403 S	12/2009	Santamarina
D516,808 S	3/2006	Brunson	7,631,380 B1	12/2009	Larson
D516,812 S	3/2006	Pangerc	D608,094 S	1/2010	Concari

US D844,324 S

D609,911 S	2/2010	Twig	8,567,796 B2	10/2013	Bar-Erez
D609,913 S	2/2010	Landau	8,657,307 B2	2/2014	Lifshitz
7,661,530 B1	2/2010	Hewitt	8,662,268 B2	3/2014	Keir
7,661,683 B2	2/2010	Fernandez	D701,696 S	4/2014	Shitrit
D616,200 S	5/2010	Riedel	8,695,770 B2	4/2014	Santy
D618,911 S	7/2010	Brunner	8,708,351 B2	4/2014	Kinsky
D621,153 S	8/2010	Parsley	8,752,683 B2	6/2014	Scicluna
D621,610 S	8/2010	Parsley	8,844,689 B2	9/2014	Murdoch
7,780,051 B2	8/2010	Godshaw	8,851,282 B2	10/2014	Brunner
D624,317 S	9/2010	Wenchel	8,869,960 B2	10/2014	Mangano
D625,515 S	10/2010	Parsley	8,888,111 B2	11/2014	Udall
D625,915 S	10/2010	Parsley	8,919,896 B1	12/2014	Shewchuck
D627,968 S	11/2010	Brunner	8,936,140 B2	1/2015	Herold
7,823,991 B2	11/2010	Purdy	8,936,258 B2	1/2015	Bar-Erez
7,837,053 B2	11/2010	Arnett	8,960,959 B2	2/2015	Chen
7,837,206 B1	11/2010	Lee	8,979,073 B2	3/2015	Lykins
D629,607 S	12/2010	Sabbag	8,979,100 B2	3/2015	Bensman
7,845,653 B2	12/2010	Katz	9,060,577 B2	6/2015	Farrelly
7,850,020 B2	12/2010	Konsant	9,066,565 B2	6/2015	Farrelly
7,854,321 B2	12/2010	Twig	9,067,614 B2	6/2015	Vanderberg
D630,435 S	1/2011	Brunner	9,095,193 B1	8/2015	Al-Hashemi
D630,851 S	1/2011	Landau	D744,750 S	12/2015	Sabbag
7,874,328 B2	1/2011	Dancyger	9,260,129 B2	2/2016	Thompson
7,883,096 B2	2/2011	Katz	D750,890 S	3/2016	Quehl
D635,769 S	4/2011	Sosnovsky	9,295,313 B2	3/2016	Kinsky
D636,996 S	5/2011	Kokawa	9,616,562 B2 *	4/2017	Hoppe A45C 7/0045
D637,812 S	5/2011	Horiyama	2001/0022257 A1	9/2001	Sadow
7,938,412 B2	5/2011	Katz	2002/0008125 A1	1/2002	Caputi
7,946,609 B2	5/2011	Johnson	2002/0014507 A1	2/2002	Snider
D639,554 S	6/2011	Sosnovsky	2002/0017752 A1	2/2002	Levi
D641,552 S	7/2011	Sosnovsky	2002/0043534 A1	4/2002	Uke
7,984,820 B2	7/2011	Dancyger	2002/0074332 A1	6/2002	Sagol
7,997,591 B2	8/2011	Arthur	2002/0084159 A1	7/2002	Hamlin
D647,301 S *	10/2011	Sosnovsky D3/283	2002/0125160 A1	9/2002	Itzkovitch
8,037,983 B2	10/2011	Leung	2002/0162716 A1	11/2002	Fabritz
D648,532 S *	11/2011	Sosnovsky D3/283	2002/0163284 A1	11/2002	Levy
D648,533 S *	11/2011	Sosnovsky D3/283	2003/0034636 A1	2/2003	Ng
D649,350 S	11/2011	Shitrit	2003/0042091 A1	3/2003	Oh
8,056,919 B1	11/2011	Huston	2003/0042093 A1	3/2003	Godshaw
8,056,943 B2	11/2011	Scheffy	2003/0075468 A1	4/2003	Story
8,061,536 B2	11/2011	Nguy	2003/0132080 A1	7/2003	Dababneh
D649,783 S	12/2011	Brunner	2003/0151218 A1	8/2003	Swaffield
8,087,513 B2	1/2012	Kriesel	2004/0004332 A1	1/2004	Tsai
8,123,007 B2	2/2012	Murdoch	2004/0026199 A1	2/2004	Chen
8,123,068 B2	2/2012	Sturrock	2004/0026294 A1	2/2004	Platte
8,132,289 B2	3/2012	Hahn	2004/0036240 A1	2/2004	Chen
8,132,819 B2	3/2012	Landau	2004/0108179 A1	6/2004	Scicluna
8,152,037 B2	4/2012	Sabbag	2004/0112777 A1	6/2004	Huang
D661,858 S	6/2012	Lifshitz	2004/0144606 A1	7/2004	Han
D661,903 S	6/2012	Kokawa	2004/0154889 A1	8/2004	Gifford
8,191,910 B2	6/2012	Landau	2004/0163910 A1	8/2004	Lee
D664,354 S	7/2012	Crevling, Jr.	2004/0188201 A1	9/2004	Chuo
8,210,387 B2	7/2012	Twig	2004/0188205 A1	9/2004	Badaan
8,256,591 B2	9/2012	Majeau	2004/0195791 A1	10/2004	Brookes-Inglis
8,262,106 B1	9/2012	Suszynsky	2004/0206431 A1	10/2004	Metzig
8,267,230 B2	9/2012	Johnson	2004/0245735 A1	12/2004	Pins
8,267,245 B2	9/2012	Kotula	2005/0023096 A1	2/2005	Tiramani
8,267,247 B1	9/2012	Horiyama	2005/0056511 A1	3/2005	Hsieh
8,272,628 B2	9/2012	Winnard	2005/0109650 A1	5/2005	Huang
D668,867 S	10/2012	Yamamoto	2005/0121275 A1	6/2005	Platte, III
D668,868 S	10/2012	Lehovetzki	2005/0121868 A1	6/2005	Hartman
D668,869 S	10/2012	Yamamoto	2005/0194756 A1	9/2005	Farley
8,282,113 B2	10/2012	Veal	2005/0224305 A1	10/2005	Davis
D670,500 S	11/2012	Sosnovsky	2005/0279123 A1	12/2005	Maldonado
D672,555 S	12/2012	Shitrit	2006/0017293 A1	1/2006	Tonelli
8,327,576 B2	12/2012	Sellers	2006/0124505 A1	6/2006	Hanson
8,328,247 B2	12/2012	Tonelli	2006/0144732 A1	7/2006	Kaplan
8,328,530 B2	12/2012	Fronzoni	2006/0151967 A1	7/2006	Kirill
D673,774 S	1/2013	Neuhaus	2006/0196744 A1	9/2006	Greiner
8,342,543 B2	1/2013	Fernandez	2006/0201834 A1	9/2006	Lutz
8,365,886 B2	2/2013	Mehta	2006/0213735 A1	9/2006	Weinstein
8,376,177 B2	2/2013	Castner	2007/0045370 A1	3/2007	Hsieh
8,434,617 B1	5/2013	Wang	2007/0045974 A1	3/2007	Young
8,439,174 B1	5/2013	Miranda	2007/0051765 A1	3/2007	Hsieh
8,469,195 B2	6/2013	Gosselink	2007/0074941 A1	4/2007	Liang
8,505,729 B2	8/2013	Sosnovsky	2007/0137960 A1	6/2007	Redzisz
8,517,155 B2	8/2013	Tong	2007/0164064 A1	7/2007	Nathan
8,517,400 B2	8/2013	Kim	2007/0170671 A1	7/2007	Safari
8,534,434 B2	9/2013	Crull	2007/0194543 A1	8/2007	Duvigneau

2007/0200309	A1	8/2007	Coppedge	
2007/0215425	A1	9/2007	Slater	
2007/0241113	A1	10/2007	Williams	
2007/0267371	A1	11/2007	Farley	
2007/0290466	A1	12/2007	Lenz	
2008/0017463	A1	1/2008	Huang	
2008/0017537	A1	1/2008	Inskeep	
2008/0035508	A1	2/2008	Streich	
2008/0035510	A1	2/2008	Brunson	
2008/0067206	A1	3/2008	Kuhn	
2008/0135364	A1	6/2008	Chang	
2008/0135366	A1	6/2008	Katz	
2008/0136130	A1	6/2008	Washington	
2008/0152944	A1	6/2008	Bonini	
2008/0164842	A1	7/2008	Bergner	
2008/0169739	A1	7/2008	Goldenberg	
2008/0217130	A1	9/2008	Louis	
2008/0230416	A1	9/2008	Brouard	
2009/0014974	A1	1/2009	Vanvorst	
2009/0080809	A1	3/2009	Pham	
2009/0139813	A1	6/2009	Francis	
2009/0166141	A1	7/2009	Davis	
2009/0211932	A1	8/2009	Burton	
2009/0212536	A1	8/2009	Tadeo	
2009/0236810	A1	9/2009	Anderson	
2009/0250365	A1	10/2009	Goto	
2009/0301833	A1	12/2009	Hymas	
2010/0000805	A1	1/2010	Pan	
2010/0012538	A1	1/2010	Brunner	
2010/0012655	A1	1/2010	Dathy	
2010/0033325	A1	2/2010	Vilkomirski	
2010/0101908	A1	4/2010	Chun	
2010/0108451	A1	5/2010	Pain	
2010/0108452	A1*	5/2010	Williams A45C 5/14 190/18 A
2010/0175960	A1	7/2010	Moskowitz	
2010/0224527	A1	9/2010	Huang	
2010/0258465	A1	10/2010	Gomas	
2010/0320245	A1	12/2010	Vilkomirski	
2011/0067967	A1	3/2011	Herrera	
2011/0084075	A1	4/2011	Arnett	
2011/0094910	A1	4/2011	Fleury	
2011/0121695	A1	5/2011	Purdy	
2011/0132046	A1	6/2011	Tonelli	
2011/0155526	A1	6/2011	Cheng	
2011/0174648	A1	7/2011	Huang	
2011/0214957	A1	9/2011	Barnard	
2011/0268374	A1	11/2011	Hotta	
2012/0018330	A1	1/2012	Kato	
2012/0138403	A1	6/2012	Tong	
2012/0152944	A1	6/2012	Vilkomirski	
2012/0160626	A1	6/2012	Yang	
2012/0206907	A1	8/2012	Seidel	
2012/0210596	A1	8/2012	Lebel	
2012/0255824	A1	10/2012	Schnell	
2012/0257379	A1	10/2012	Herr	
2012/0267374	A1	10/2012	Kotula	
2012/0292213	A1	11/2012	Brunner	
2012/0312708	A1	12/2012	Roehm	
2012/0317933	A1	12/2012	Crull	
2012/0318792	A1	12/2012	Larson	
2012/0326406	A1	12/2012	Lifshitz	
2012/0326669	A1	12/2012	Horiyama	
2013/0007979	A1	1/2013	Wolfe	
2013/0008753	A1	1/2013	Moon	
2013/0099648	A1	4/2013	Moore	
2013/0161143	A1	6/2013	Kinsky	
2013/0186795	A1	7/2013	Borrelli	
2013/0233660	A1	9/2013	Bettua	
2013/0240314	A1	9/2013	Pitchforth	
2013/0284553	A1	10/2013	Daniels	
2013/0292221	A1	11/2013	Ryan	
2013/0327608	A1	12/2013	Murdoch	
2014/0021232	A1	1/2014	Lazarevich	
2014/0027227	A1	1/2014	Stern	
2014/0102928	A1	4/2014	Sabbag	
2014/0166414	A1	6/2014	Moore	
2014/0166516	A1	6/2014	Martinez	
2014/0197059	A1	7/2014	Evans	

2014/0311844	A1	10/2014	Meersschaert
2014/0326562	A1	11/2014	Pickens
2014/0353104	A1	12/2014	Sheikh
2015/0047941	A1	2/2015	Wax
2015/0060221	A1	3/2015	Bourette
2015/0102573	A1	4/2015	Hillaert
2015/0107949	A1	4/2015	McDonald
2015/0129384	A1	5/2015	Mertens
2015/0130148	A1	5/2015	Meersschaert
2015/0136554	A1	5/2015	Herold
2015/0150348	A1	6/2015	Wax
2015/0173475	A1	6/2015	Dermody
2015/0208774	A1	7/2015	Leimenstoll
2016/0023349	A1	1/2016	Hoppe

FOREIGN PATENT DOCUMENTS

EP	195651	A2	9/1986
EP	517803	B1	10/1996
EP	686008	B1	4/2001
EP	591484	B1	11/2001
EP	874564	B1	3/2002
EP	717705	B1	4/2003
EP	1259137	B1	5/2003
EP	1340598	A2	5/2003
EP	1107674	B1	10/2003
EP	1332693	B1	3/2007
EP	1395140	B1	8/2007
EP	1724069	A2	3/2009
EP	2407047	A2	1/2012
EP	2266866	B1	3/2012
EP	2502518	A2	9/2012
EP	2024218	B1	10/2012
EP	2522248	A1	11/2012
EP	2561772	A1	2/2013
EP	2051602	B1	5/2013
EP	2710916	A1	3/2014
EP	1853503	B1	4/2014
EP	2730189	A1	5/2014
EP	2594152	A2	7/2014
EP	1852031	B1	9/2014
EP	2862473	A1	4/2015
EP	2783341	A1	5/2015
EP	2873342	A1	5/2015
EP	2537641	B1	9/2016
FR	2657915	B1	7/1995
WO	WO-9519119	A1	7/1995
WO	WO-9522266	A1	8/1995
WO	WO-9631930	A1	10/1996
WO	WO-0237999	A1	5/2002
WO	WO-02052975	A1	7/2002
WO	WO-03063637	A2	8/2003
WO	WO-03096838	A1	11/2003
WO	WO-2004045329	A1	6/2004
WO	WO-2004054399	A1	7/2004
WO	WO-2004088163	A2	10/2004
WO	WO-2005011429	A2	2/2005
WO	WO-2006007266	A2	1/2006
WO	WO-2006102585	A2	9/2006
WO	WO-2009021146	A1	2/2009
WO	WO-2009088853	A2	7/2009
WO	WO 2009124302	A2	10/2009
WO	WO-2010033133	A1	3/2010
WO	WO-2011089376	A2	7/2011
WO	WO-2012056030	A1	5/2012
WO	WO-2012068075	A2	5/2012
WO	WO-2012113056	A1	8/2012
WO	WO-2012126949	A2	9/2012
WO	WO-2013142452	A1	9/2013
WO	WO-2014177863	A1	11/2014
WO	WO-2015049121	A1	4/2015
WO	WO-2015110667	A1	7/2015

OTHER PUBLICATIONS

Youtube, "New Milwaukee Tool Soft Storage Bags—First Look" posted by user "Charles & Hudson" on Jun. 13, 2016. (<https://www.youtube.com/watch?v=zAaZDCblb20>).*

Barska, "Barska Loaded Gear HD-400 Watertight Dry Box" website available as early as Mar. 13, 2013.

JR Shooting Sports, "Genuine Browning Shooting Accessories Utility Cases" website available as early as Aug. 20, 2003.

Skb cases, I Series Indestructible Catalog (2010) 16 pages.

* cited by examiner

Primary Examiner — Jennifer Rivard

Assistant Examiner — April Rivas

(74) *Attorney, Agent, or Firm* — Reinhart Boerner Van Deuren s.c.

(57)

CLAIM

We claim the ornamental design for a bag, as shown and described.

DESCRIPTION

The file of this patent contains at least one drawing executed in color. Copies of this patent with color drawings will be provided by the United States Patent and Trademark Office upon request and payment of the necessary fee.

FIG. 1 is a front perspective view of a first embodiment of a bag.

FIG. 2 is a front view of the bag shown in FIG. 1.

FIG. 3 is a rear view of the bag shown in FIG. 1.

FIG. 4 is a left side view of the bag shown in FIG. 1.

FIG. 5 is a right side view of the bag shown in FIG. 1.

FIG. 6 is a top view of the bag shown in FIG. 1.

FIG. 7 is a bottom view of the bag shown in FIG. 1.

FIG. 8 is a front perspective view of a second embodiment of a bag.

FIG. 9 is a front view of the bag shown in FIG. 8.

FIG. 10 is a rear view of the bag shown in FIG. 8.

FIG. 11 is a left side view of the bag shown in FIG. 8.

FIG. 12 is a right side view of the bag shown in FIG. 8.

FIG. 13 is a top view of the bag shown in FIG. 8.

FIG. 14 is a bottom view of the bag shown in FIG. 8.

FIG. 15 is a front perspective view of a third embodiment of a bag.

FIG. 16 is a front view of the bag as shown in FIG. 15.

FIG. 17 is a rear view of the bag as shown in FIG. 15.

FIG. 18 is a left side view of the bag shown in FIG. 15.

FIG. 19 is a right side view of the bag shown in FIG. 15.

FIG. 20 is a top view of the bag shown in FIG. 15; and,

FIG. 21 is a bottom view of the bag shown in FIG. 15.

With respect to FIGS. 1-7, color forms part of the claimed design. In remaining embodiments, color forms no part of the claimed design. The tonal differences in FIGS. 8-14 represent contrast.

The broken lines illustrate portions of the bag and form no part of the claimed design.

**1 Claim, 21 Drawing Sheets
(14 of 21 Drawing Sheet(s) Filed in Color)**



FIG. 1

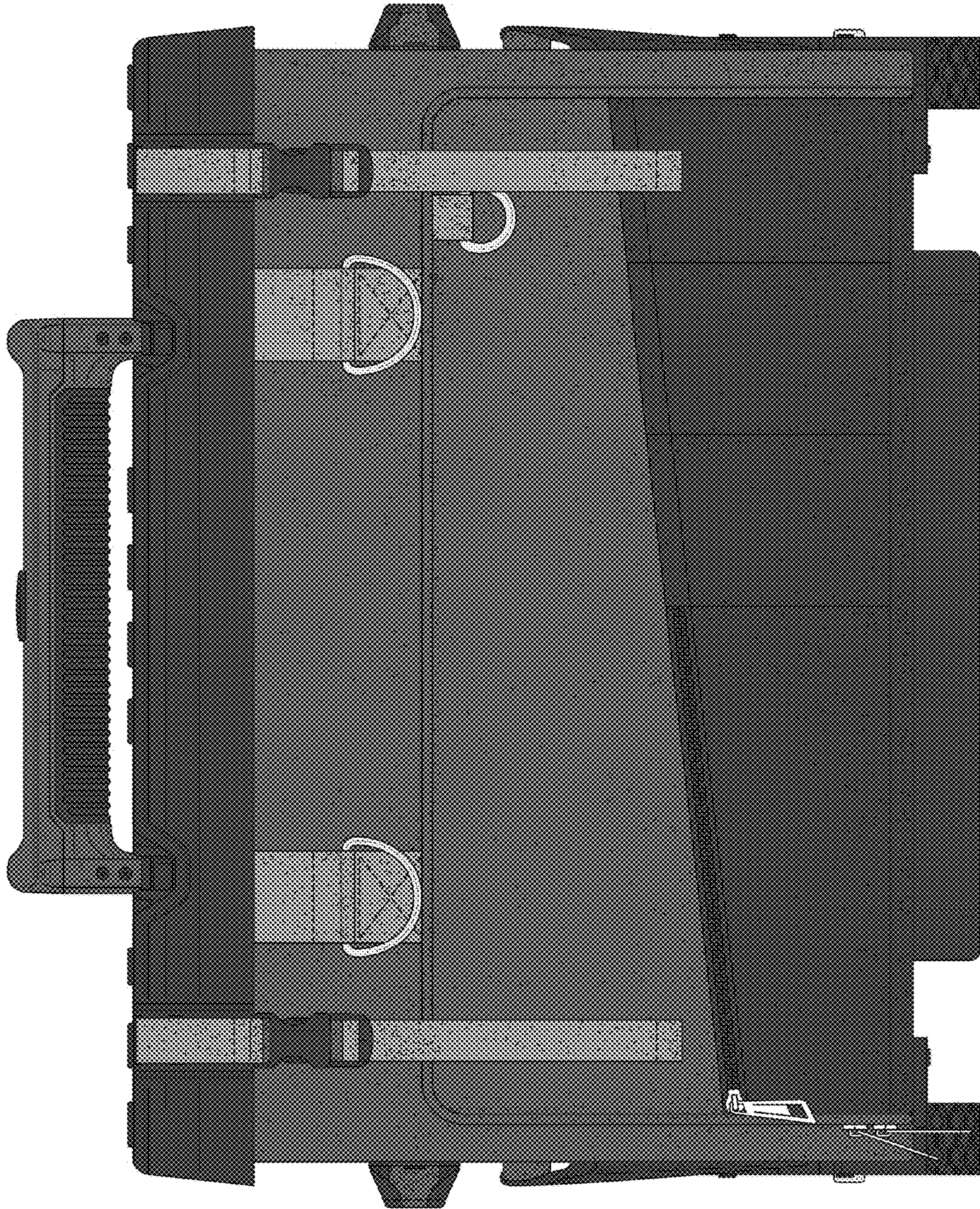


FIG. 2

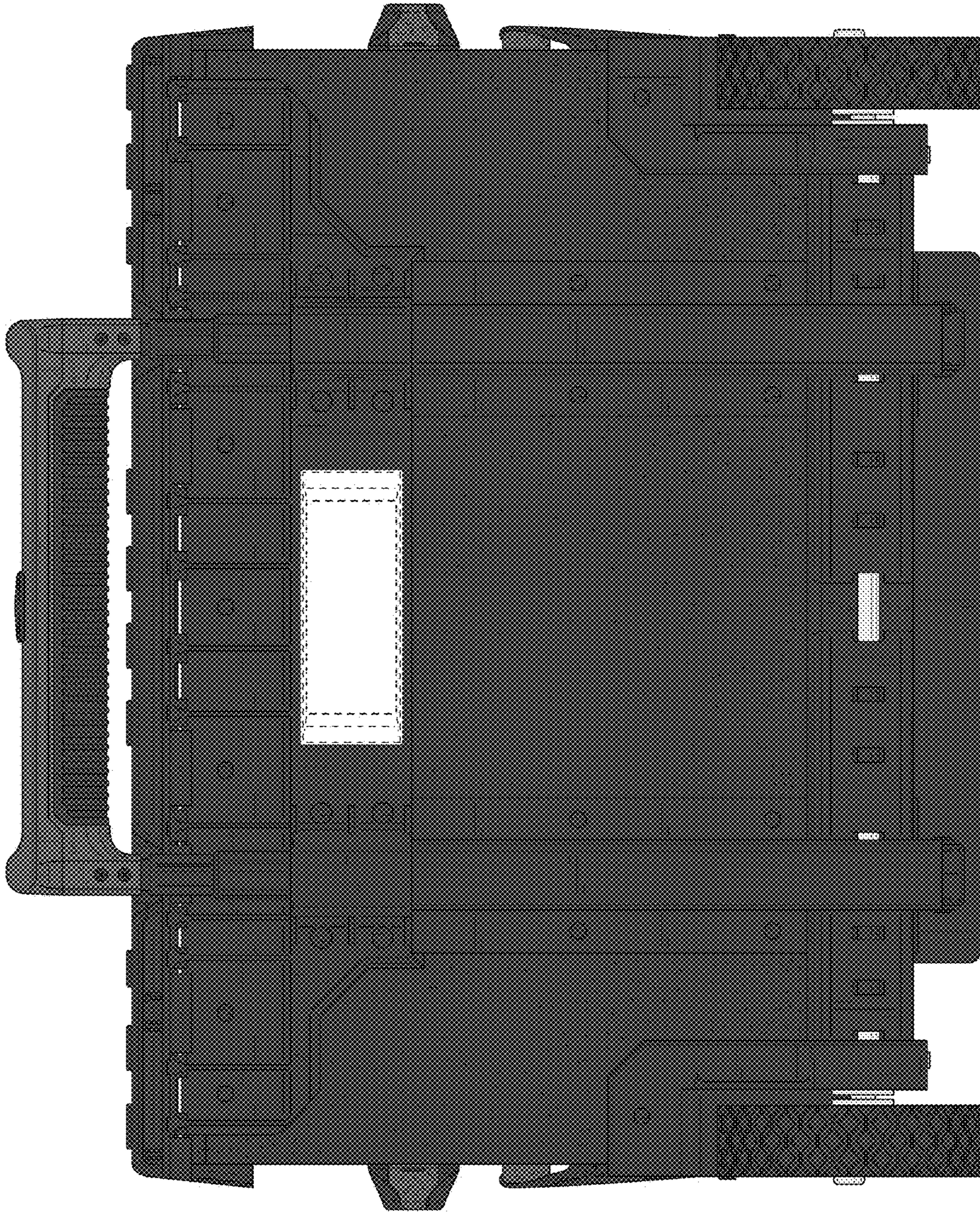


FIG. 3

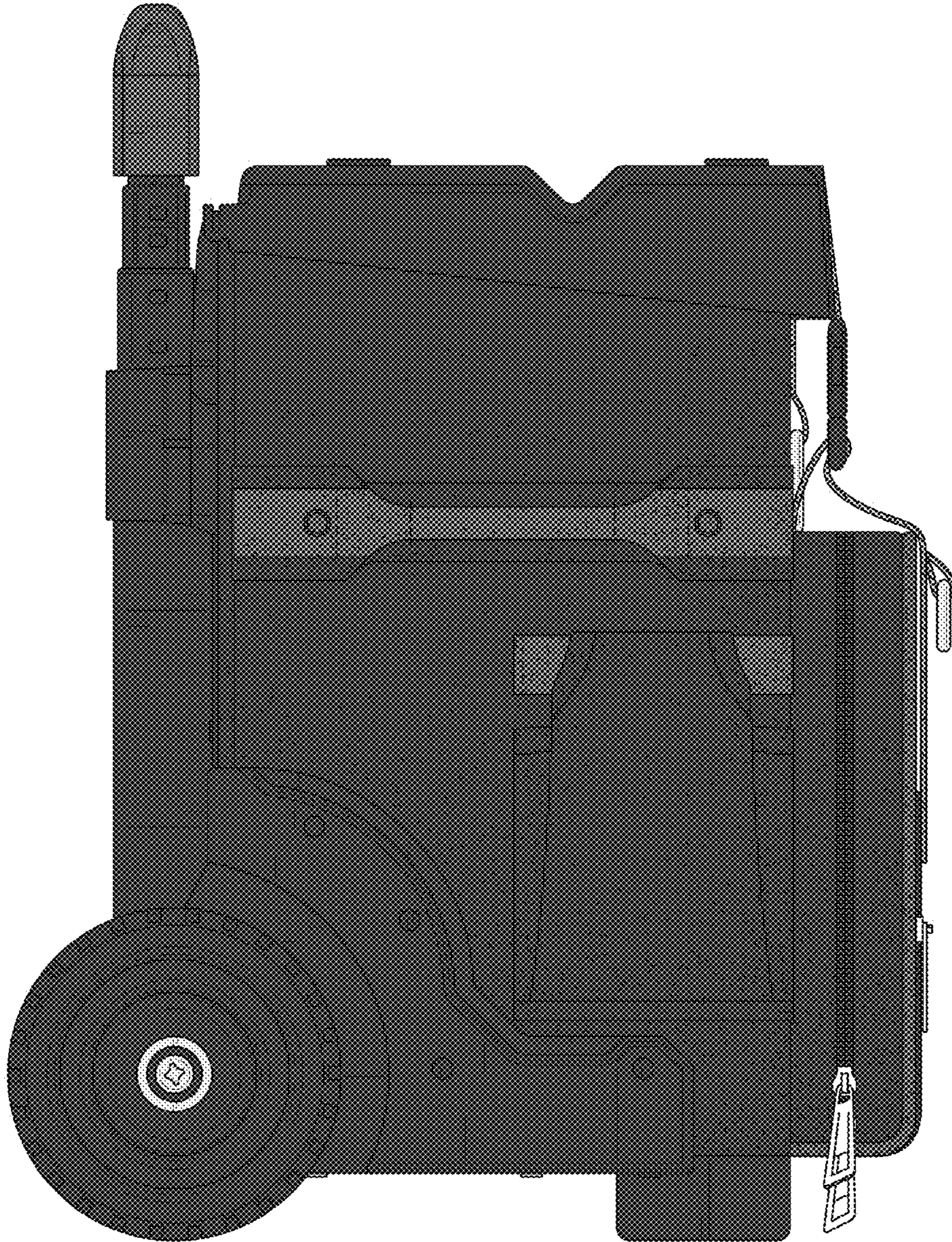


FIG. 4

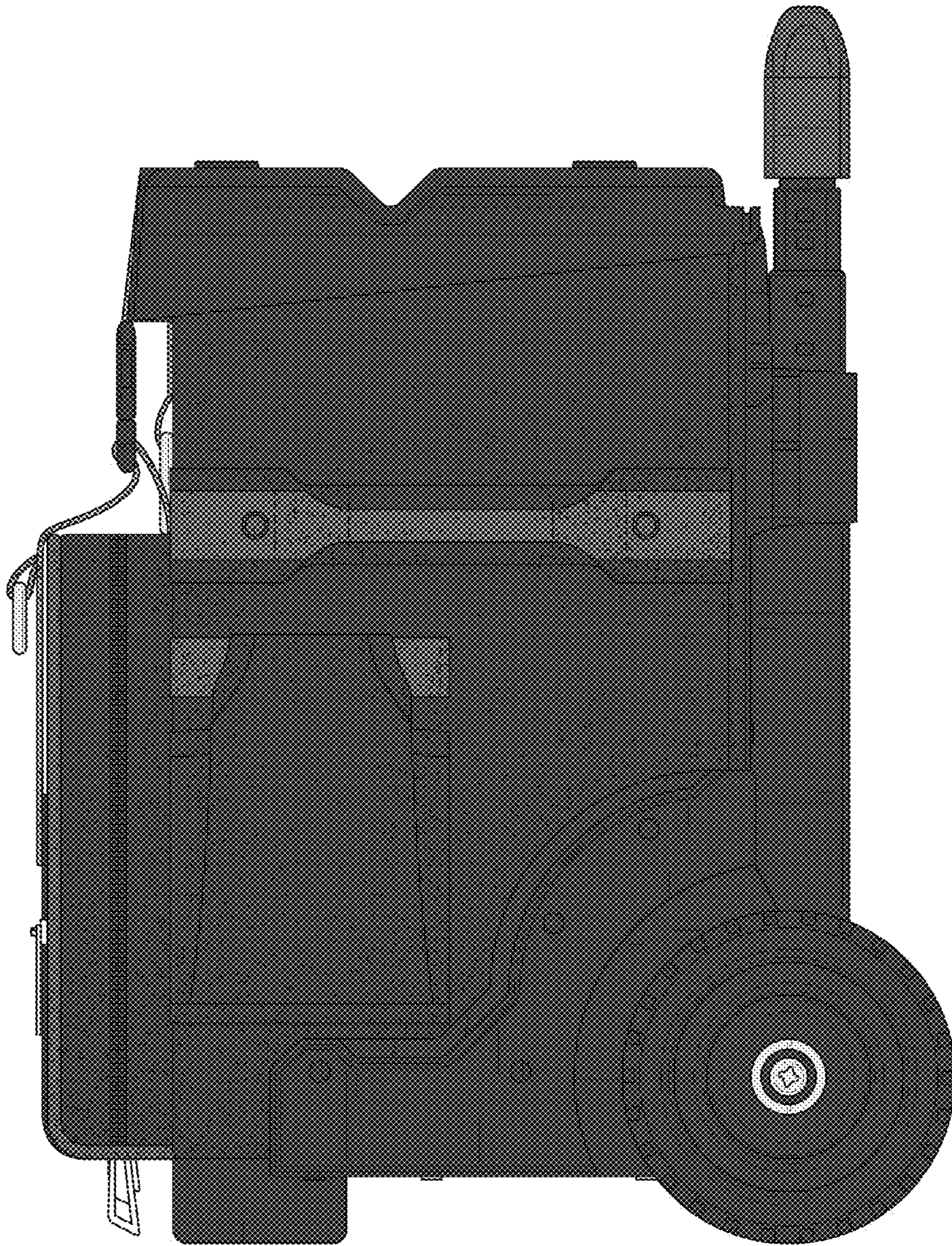


FIG. 5

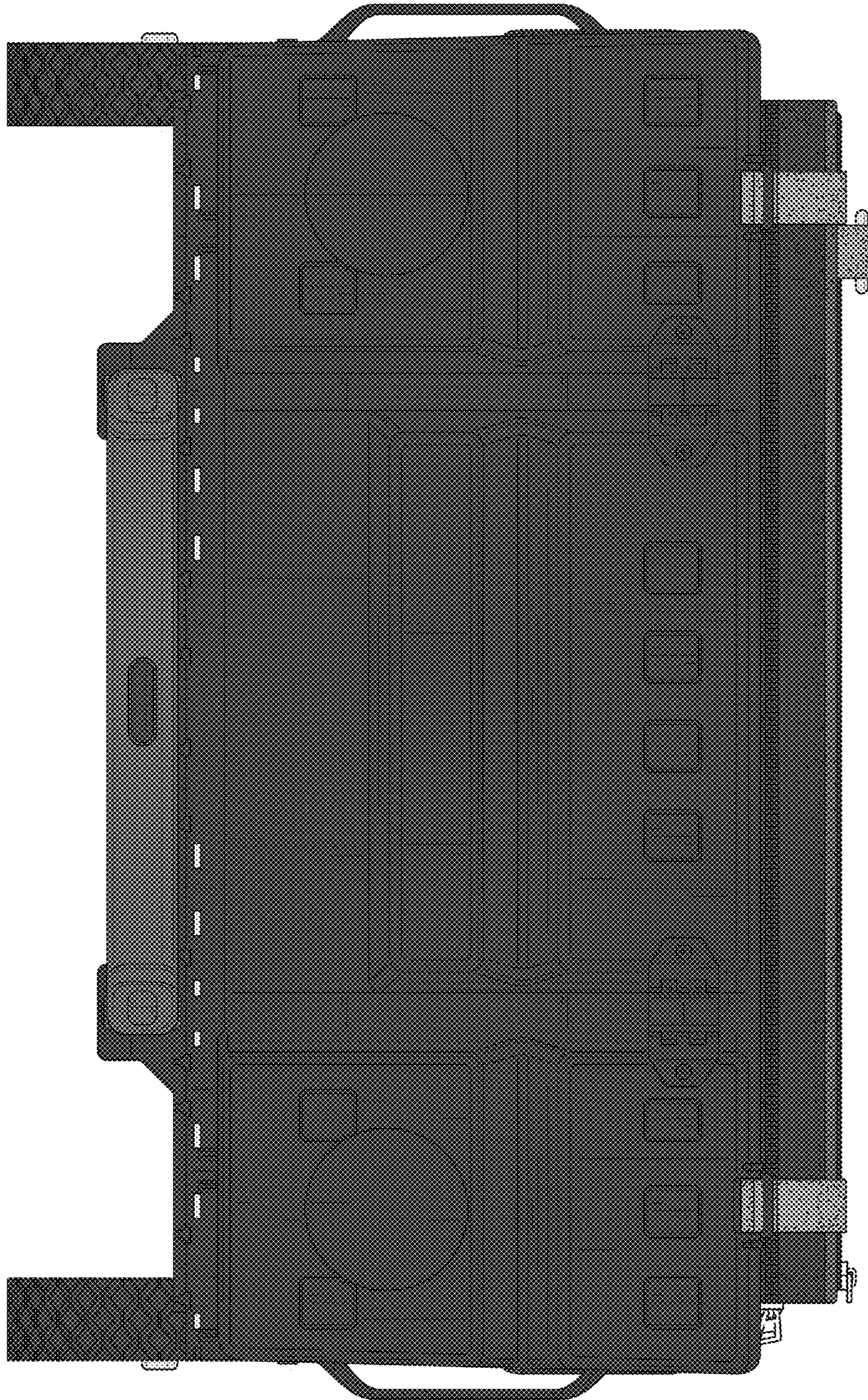


FIG. 6

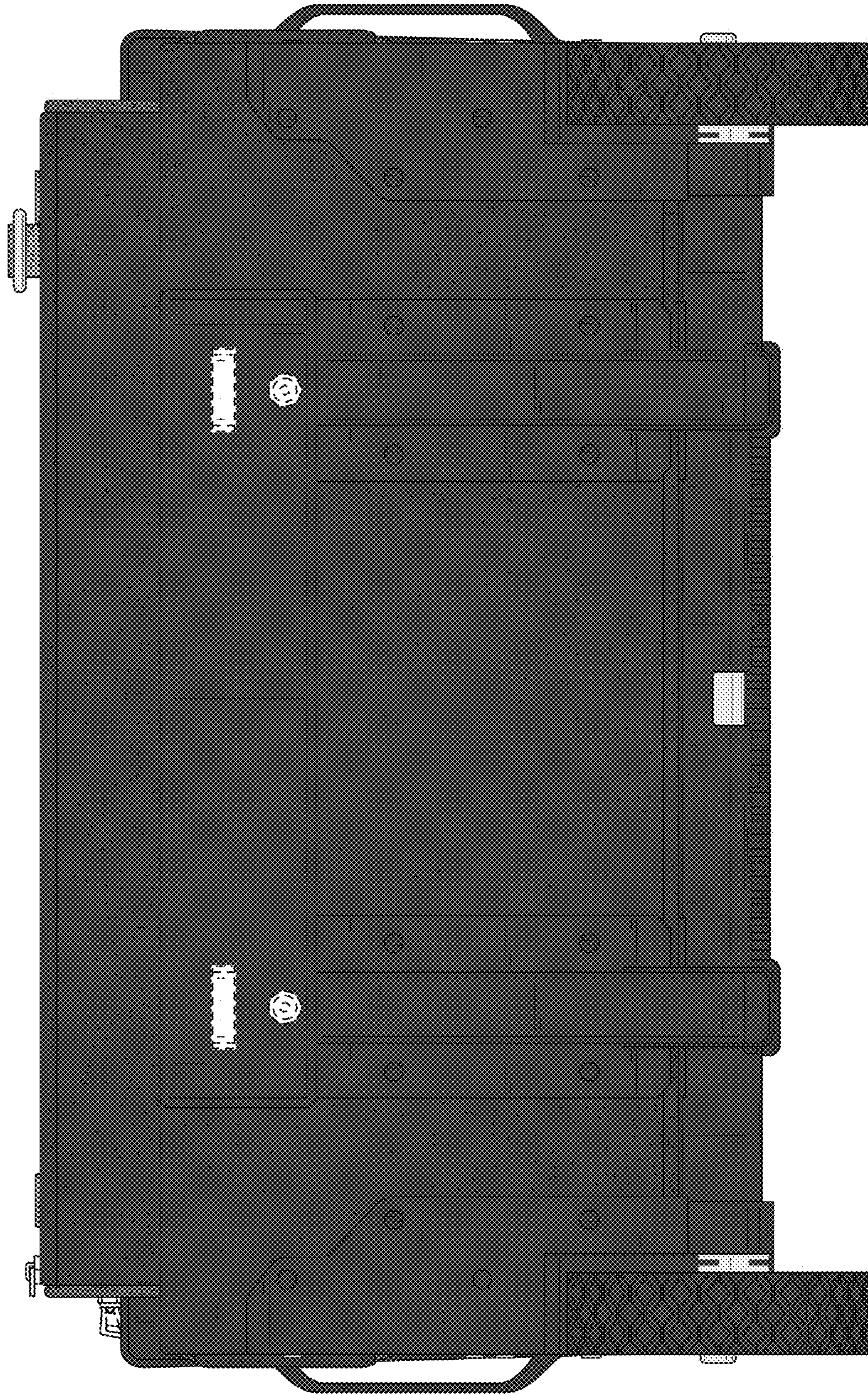


FIG. 7



FIG. 8

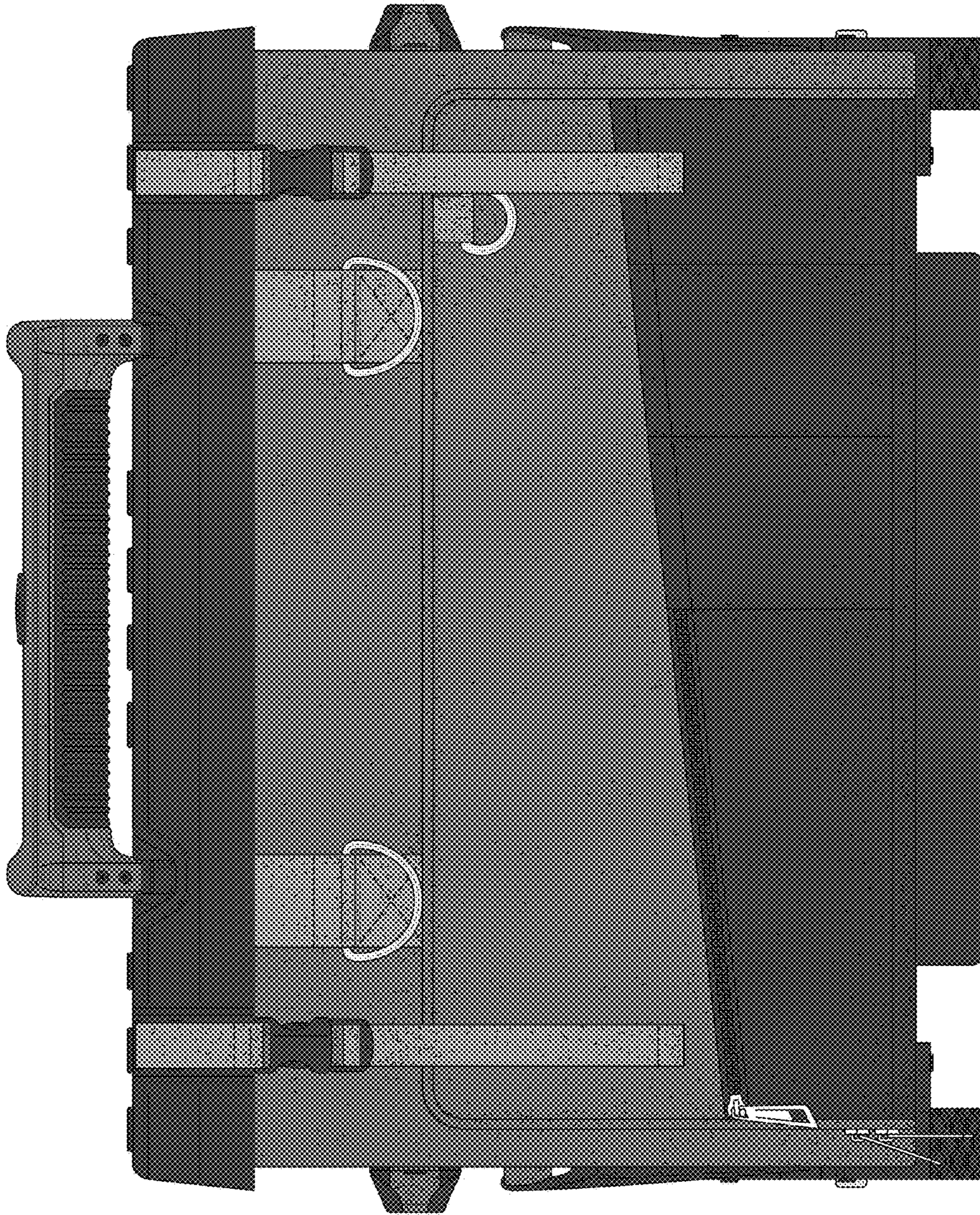


FIG. 9

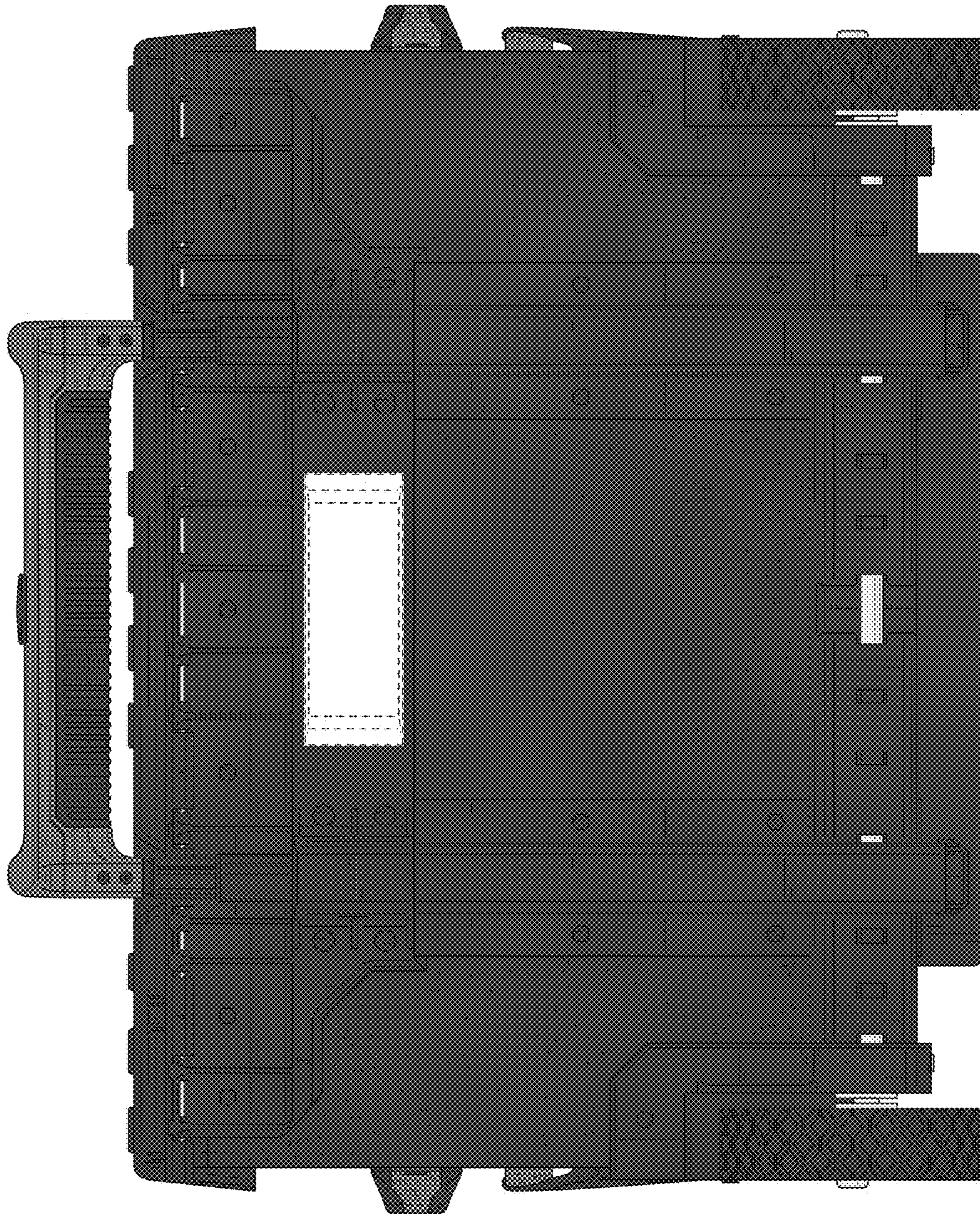


FIG. 10

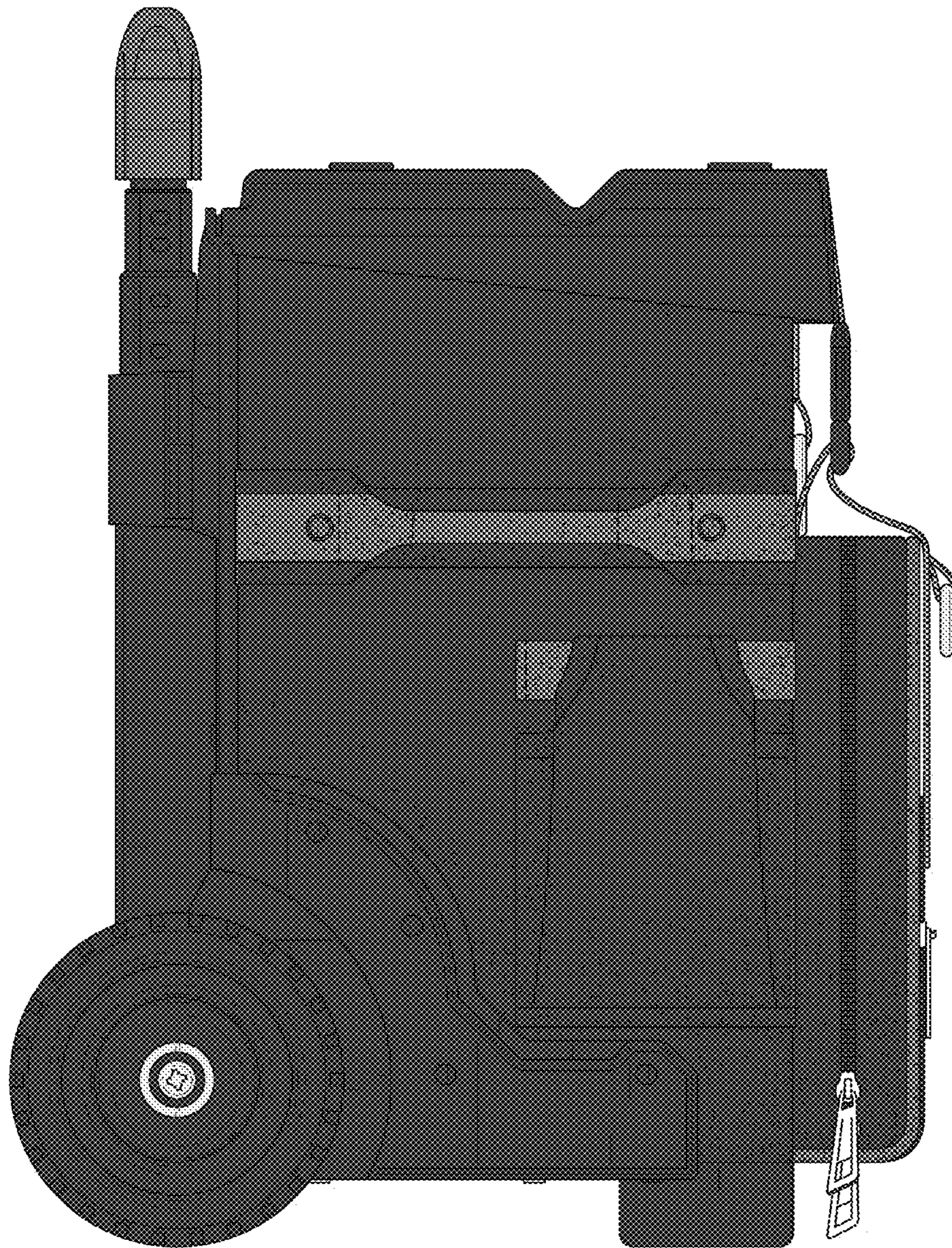


FIG. 11

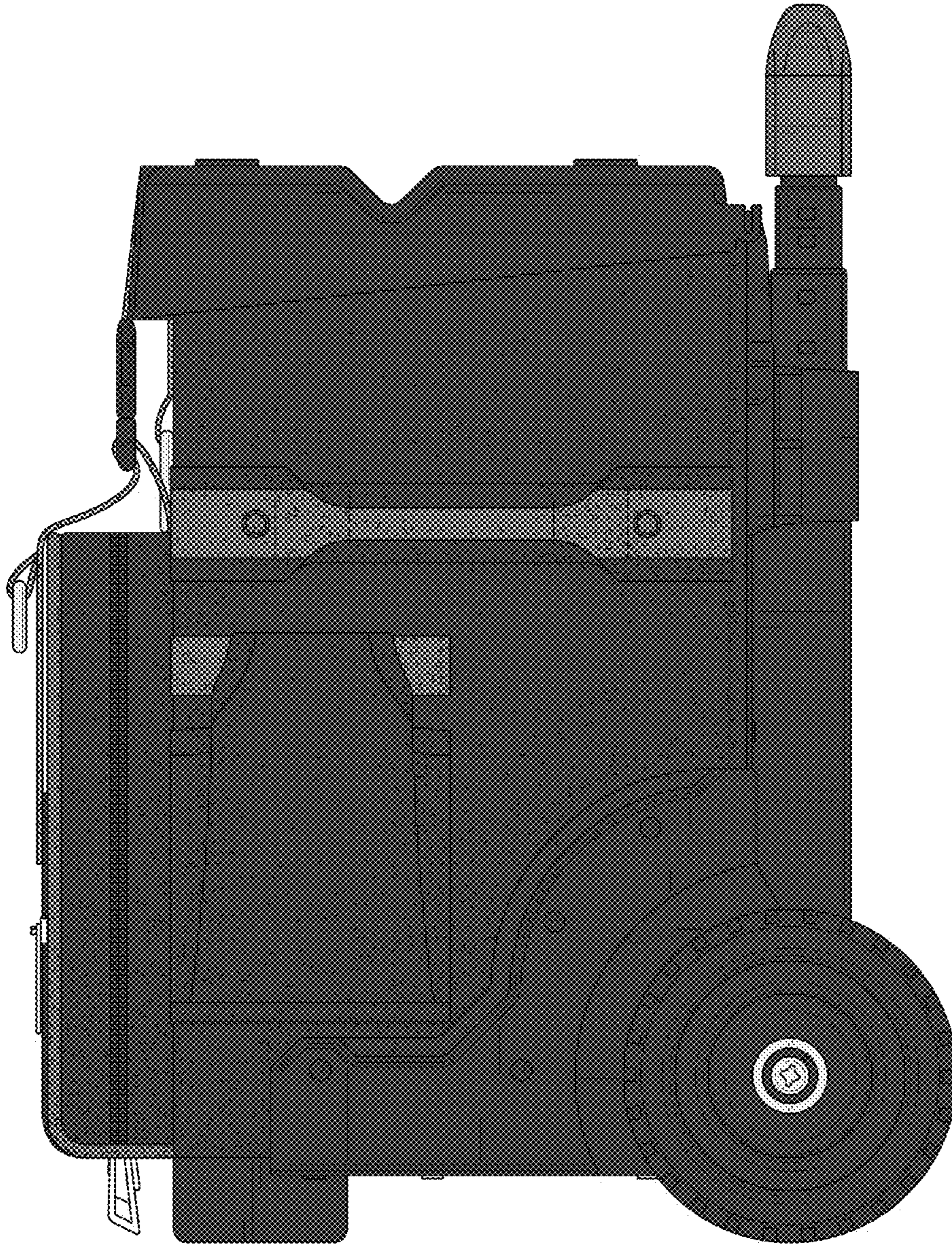


FIG. 12

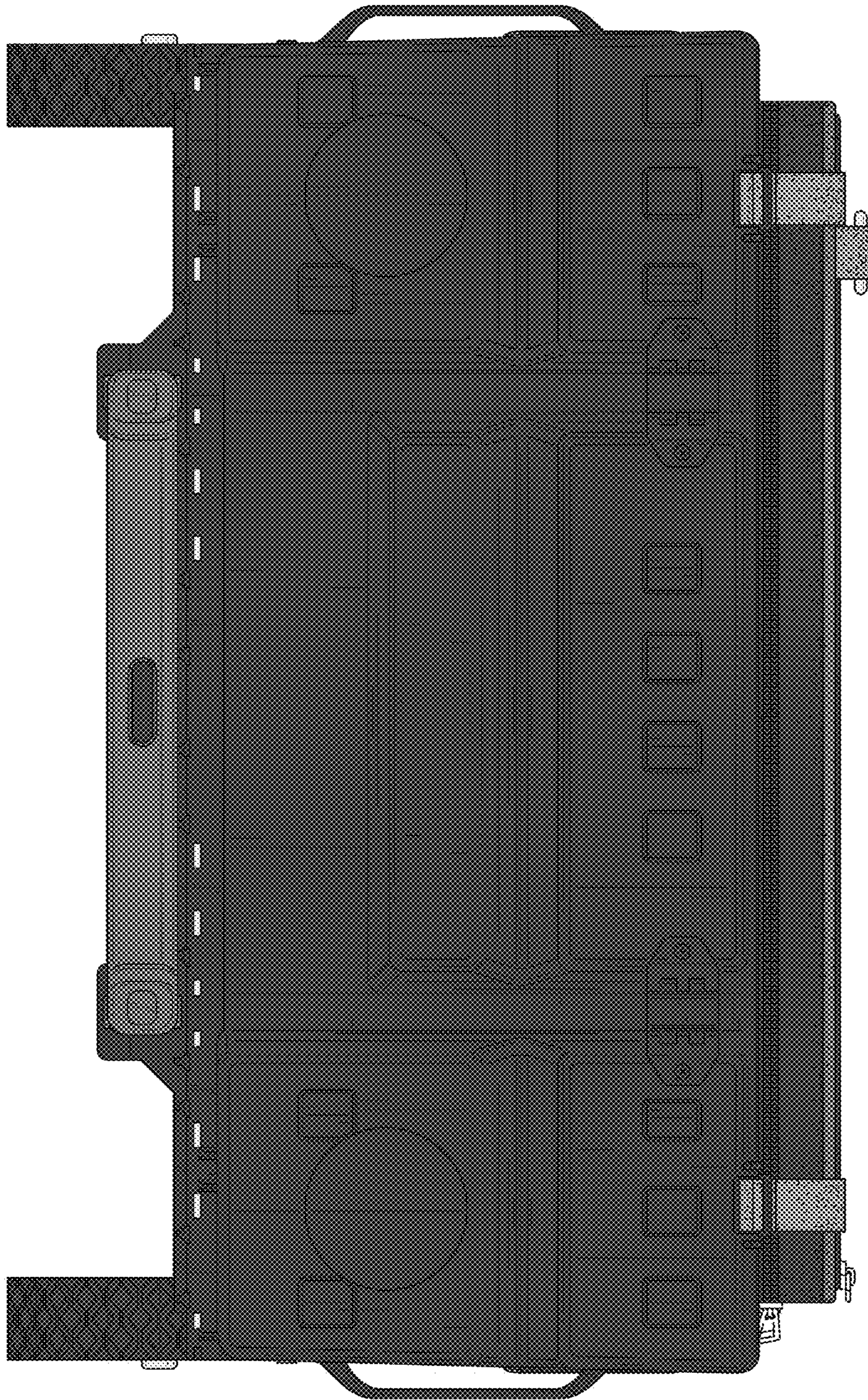


FIG. 13

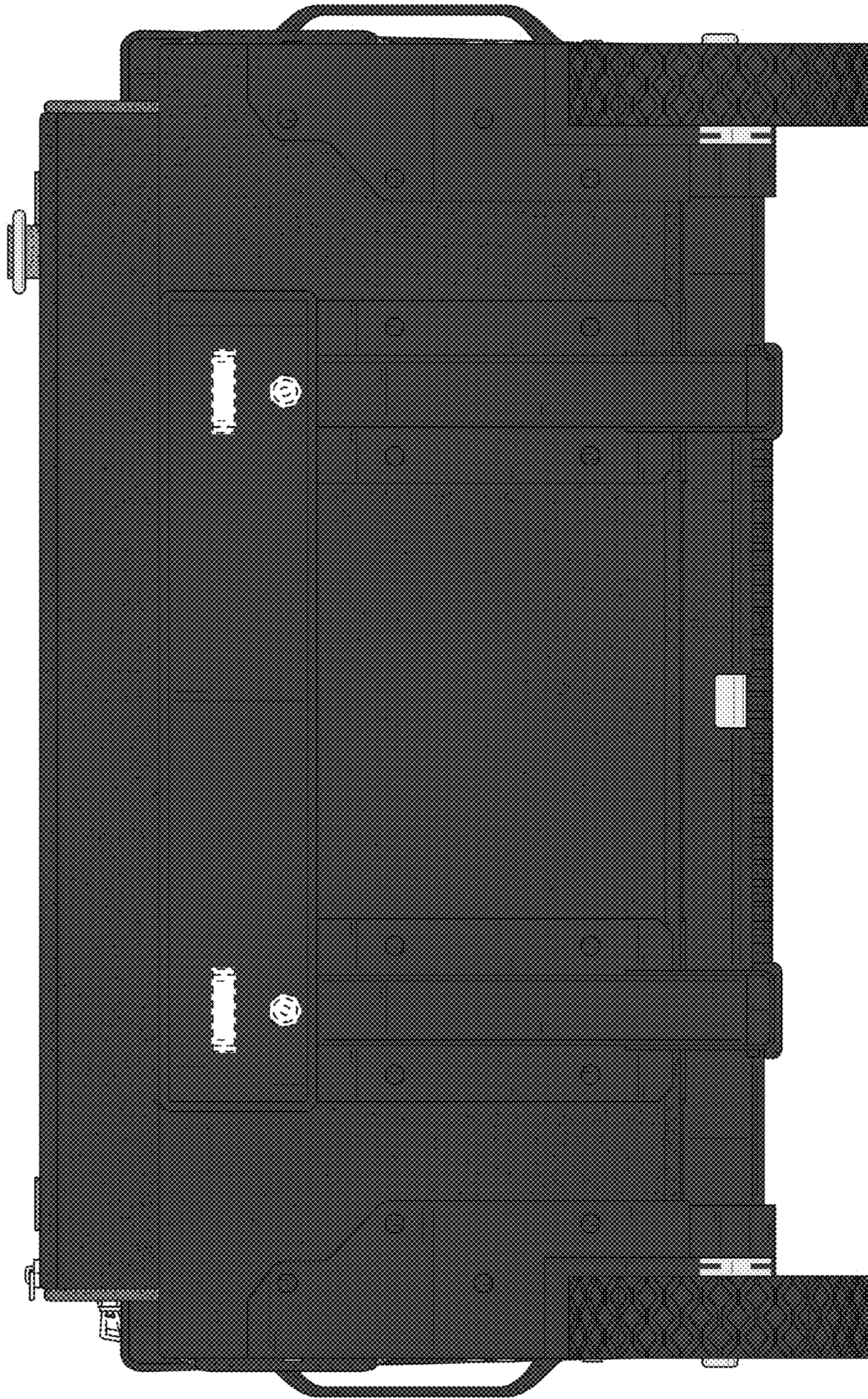


FIG. 14

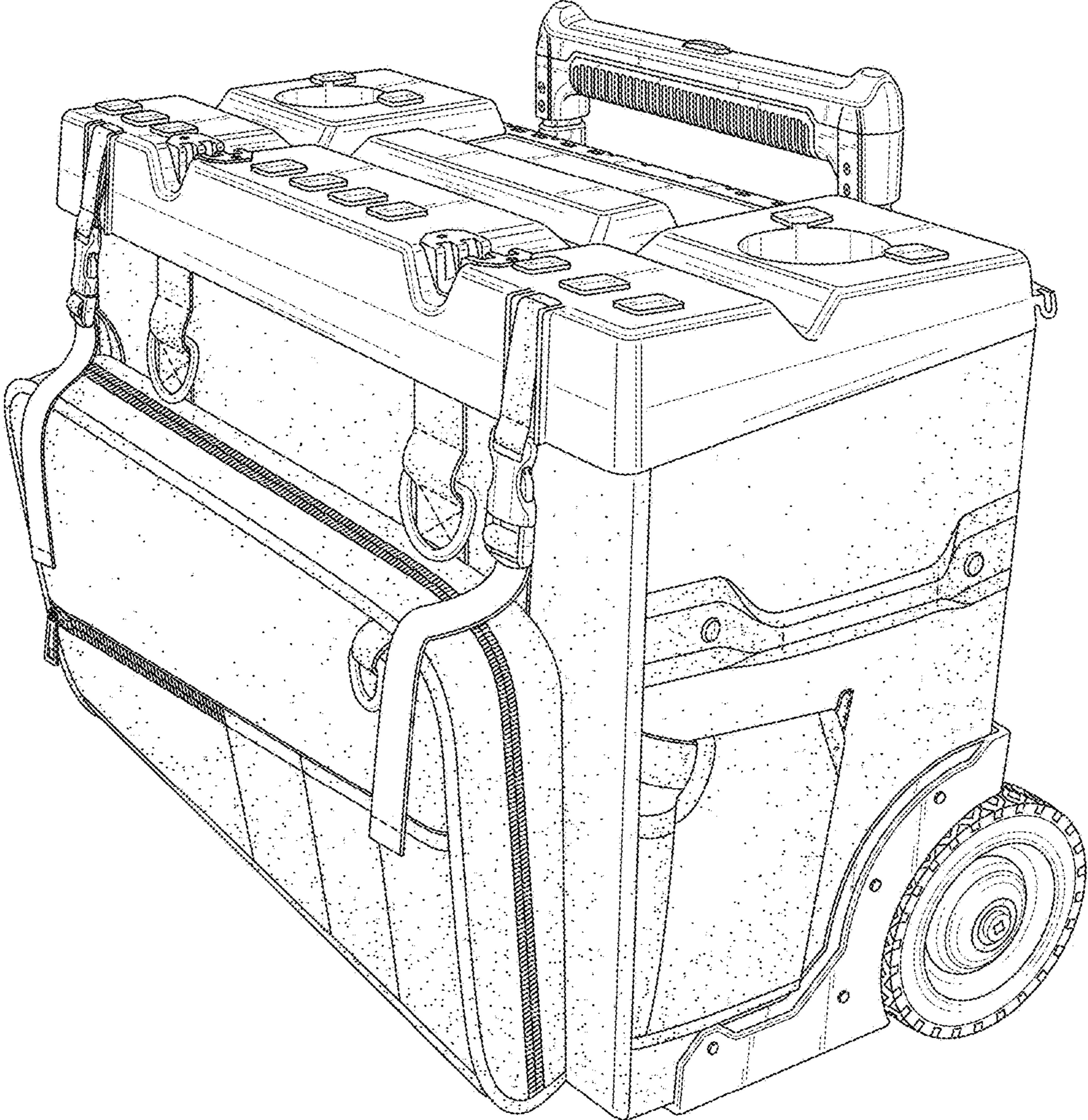


FIG. 15

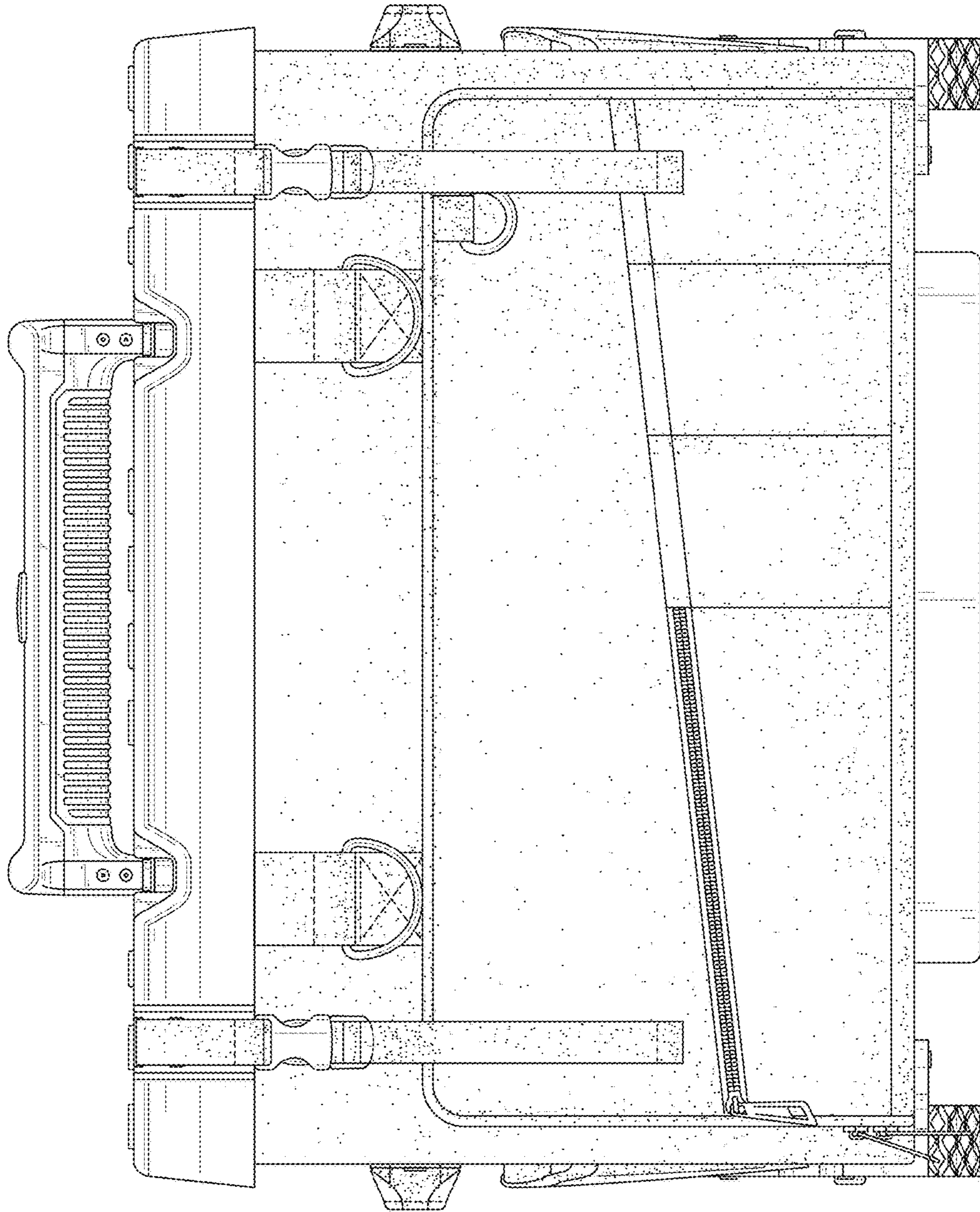


FIG. 16

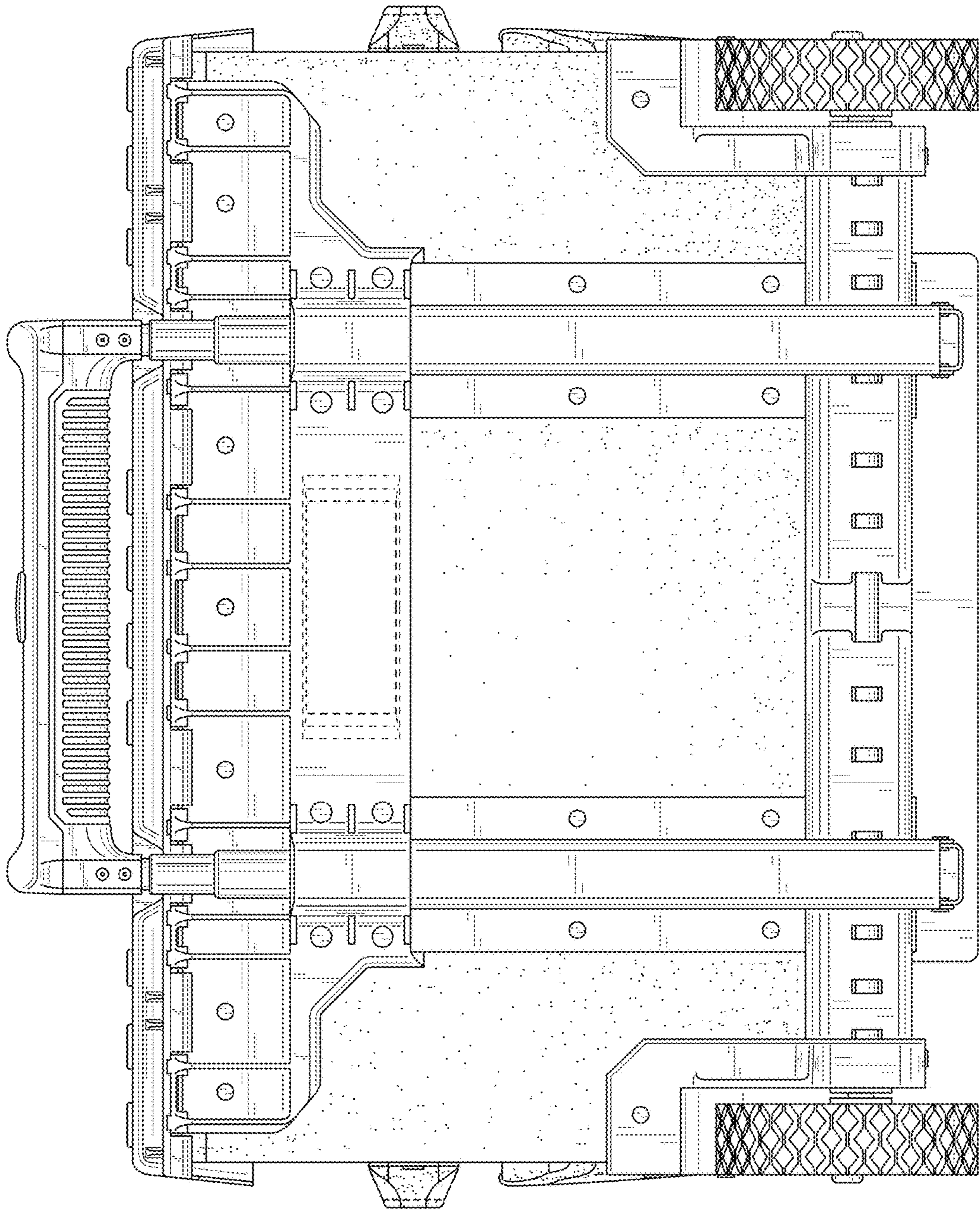


FIG. 17

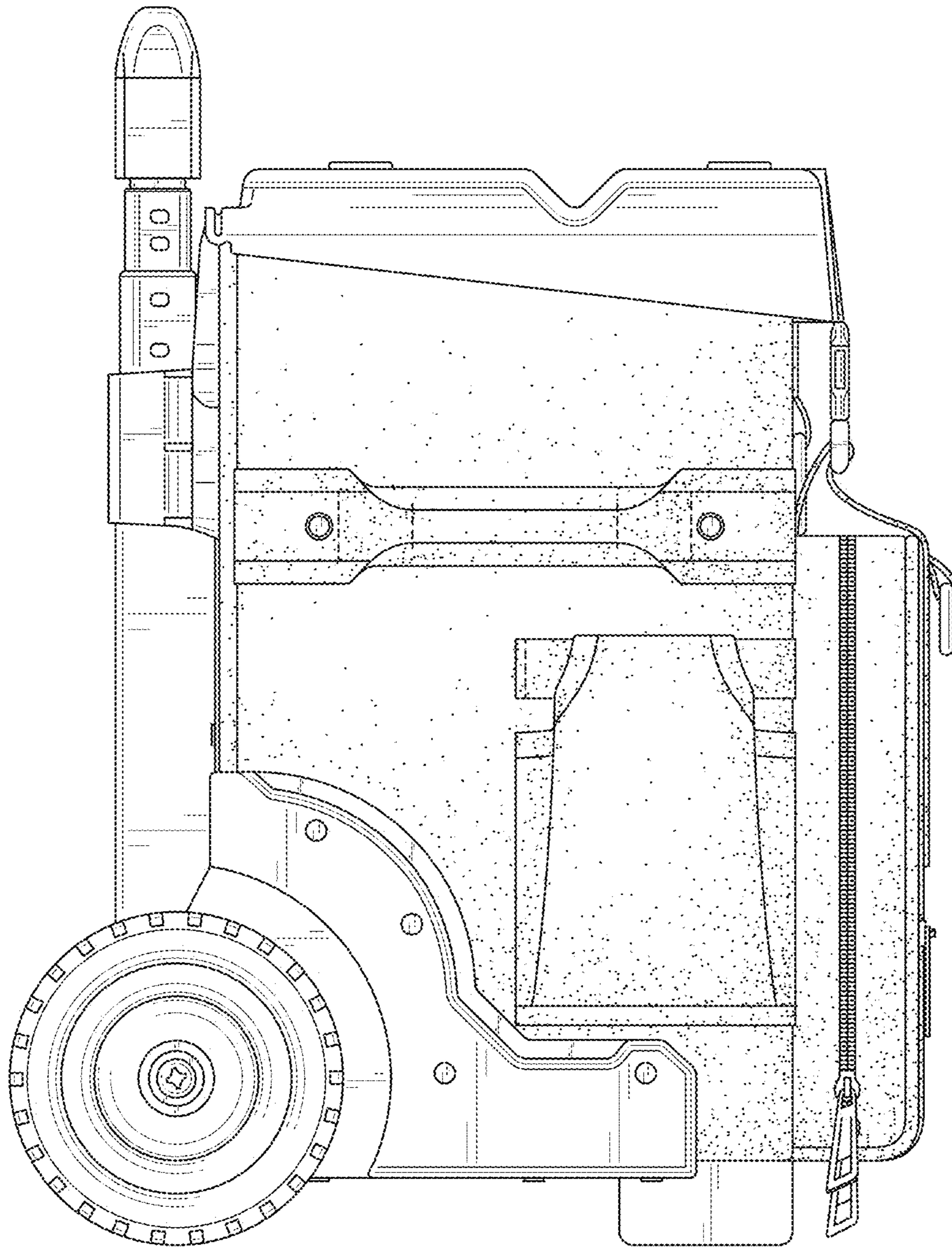


FIG. 18

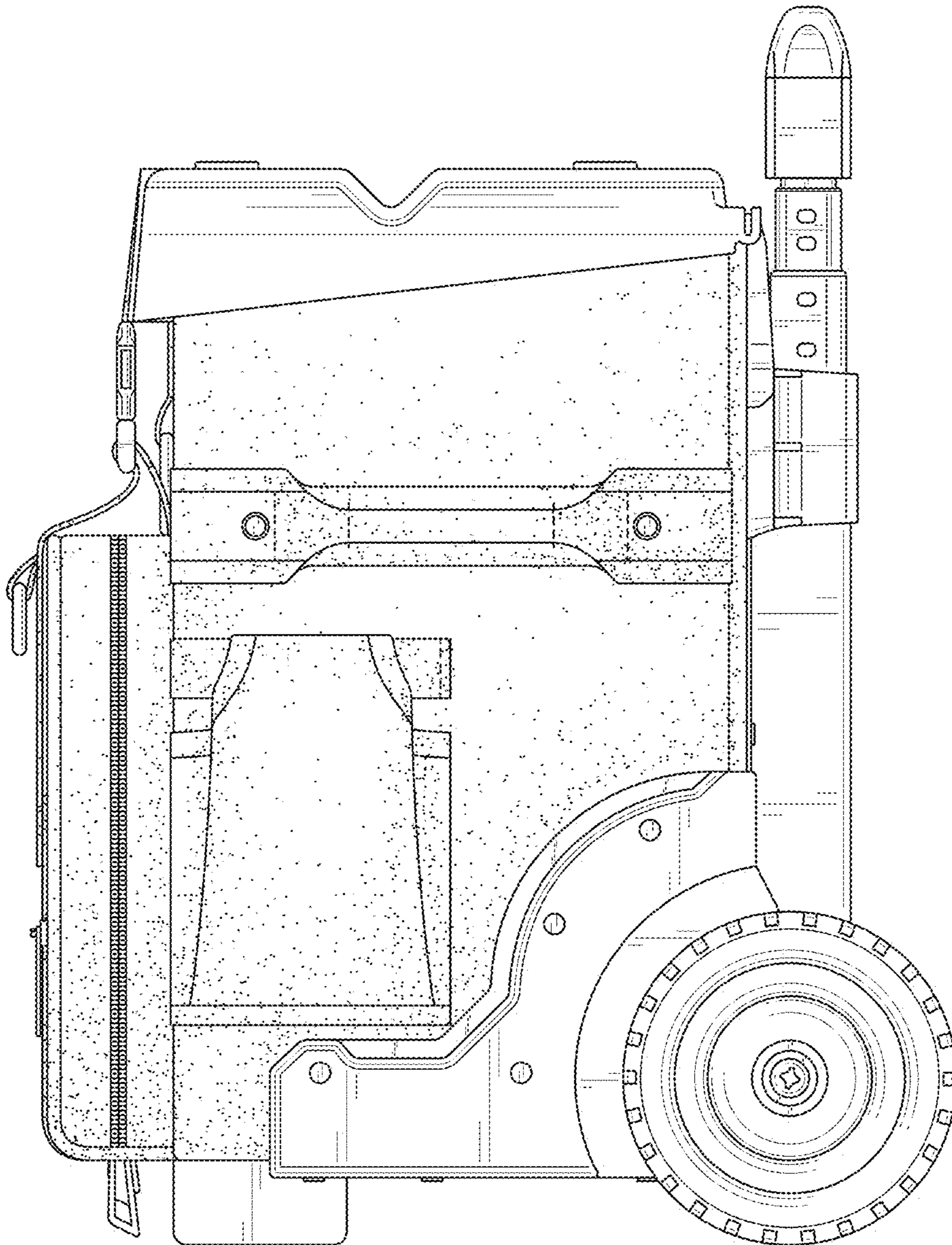


FIG. 19

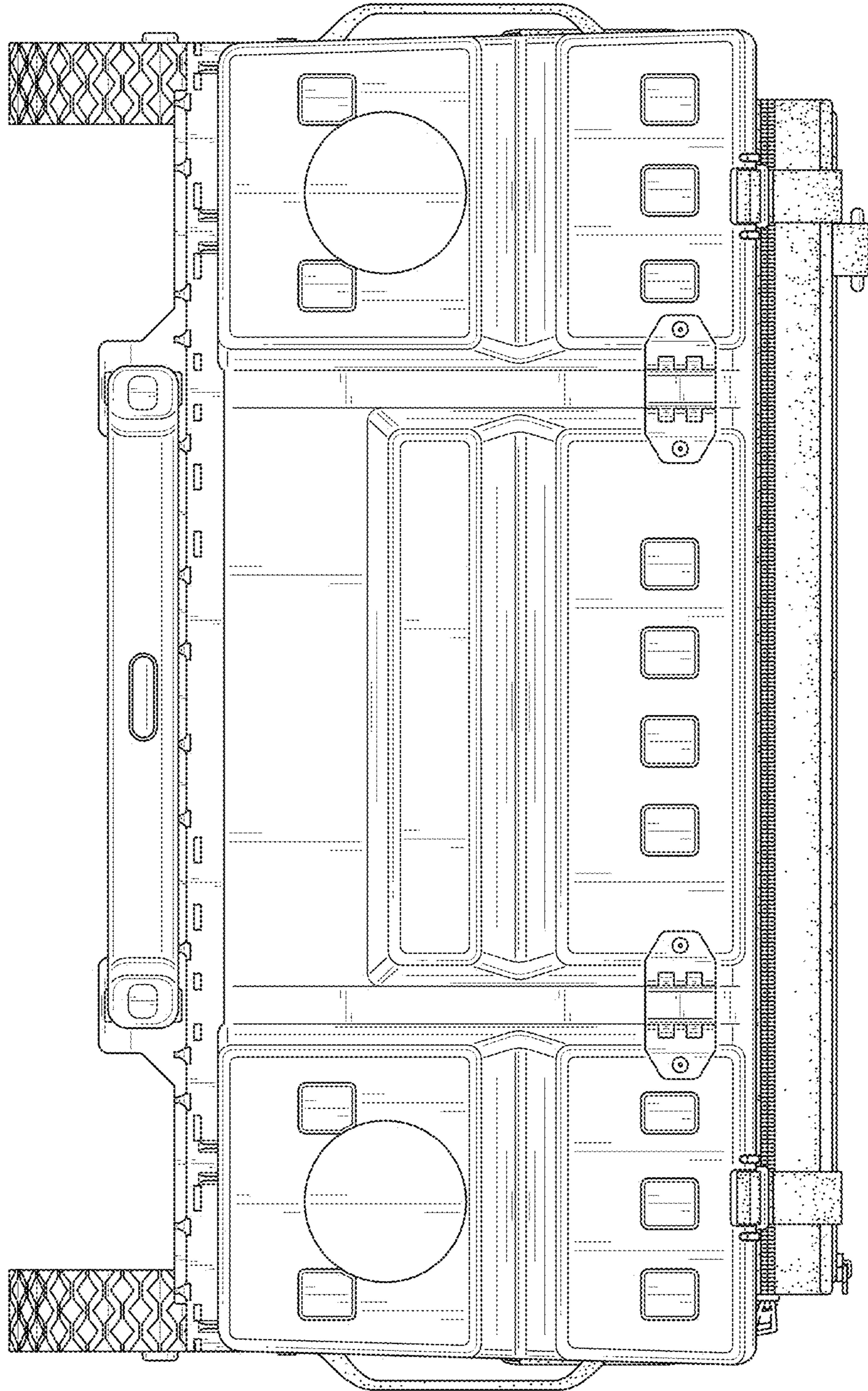


FIG. 20

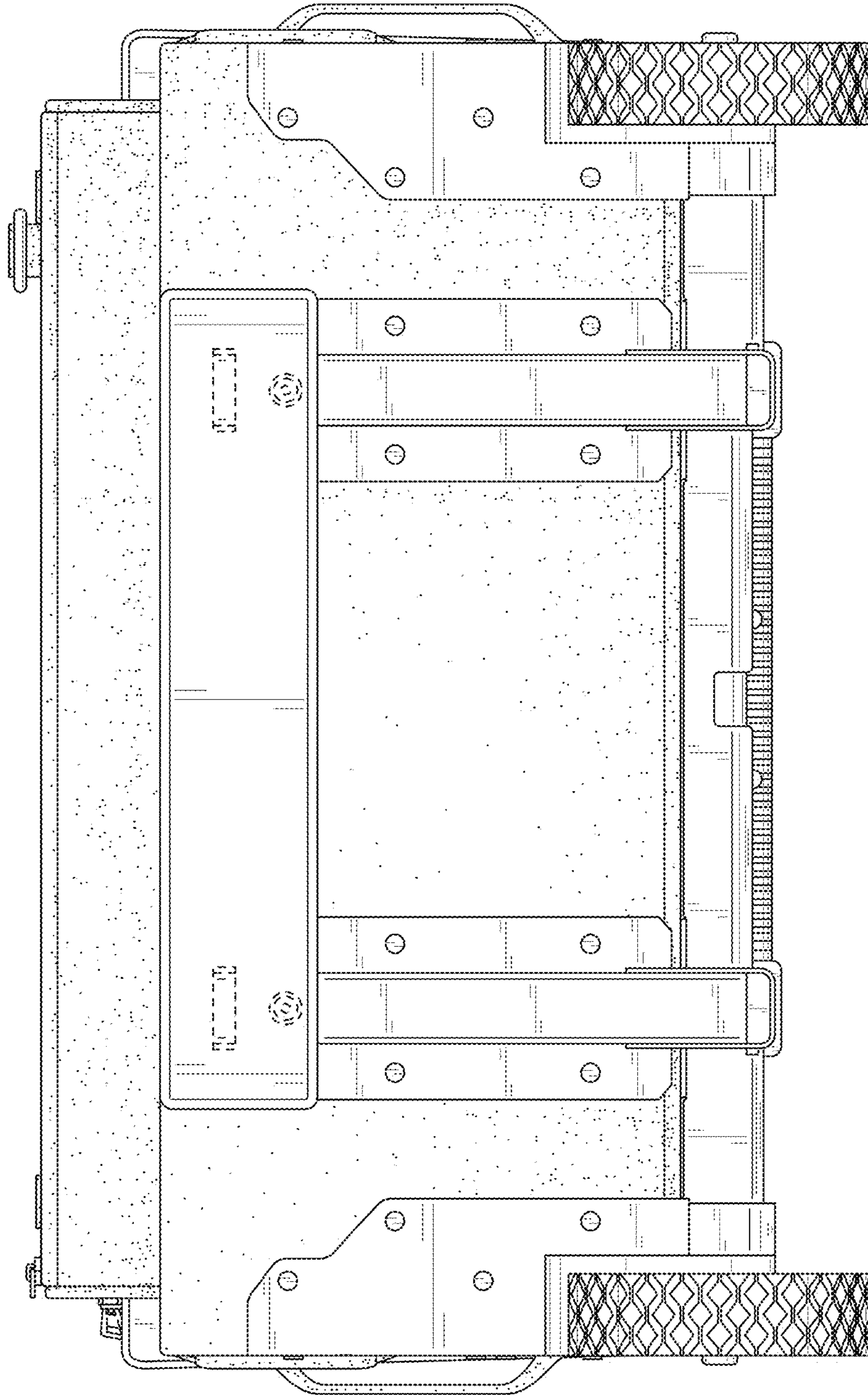


FIG. 21