



US00D844319S

(12) **United States Design Patent**
Tan et al.

(10) **Patent No.:** **US D844,319 S**
(45) **Date of Patent:** **** Apr. 2, 2019**

(54) **BACKPACK**

(71) Applicant: **GUANGZHOU KINGSONS LEATHER PRODUCTS CO.,LTD,**
Guangdong (CN)

(72) Inventors: **Dengtai Tan**, Guangdong (CN); **Bi Zhao**, Guangdong (CN); **Fuchu Fu**, Guangdong (CN); **Jiahua Qiu**, Guangdong (CN)

(73) Assignee: **GUANGZHOU KINGSONS LEATHER PRODUCTS CO., LTD,**
Guangdong (CN)

(**) Term: **15 Years**

(21) Appl. No.: **29/601,895**

(22) Filed: **Apr. 27, 2017**

(30) **Foreign Application Priority Data**

Nov. 11, 2016 (CN) 2016 3 0549274

(51) **LOC (11) Cl.** **03-01**

(52) **U.S. Cl.**
USPC **D3/217**

(58) **Field of Classification Search**
USPC D3/216, 217, 279
CPC A45F 3/04; A45F 4/02; A45F 3/02; A45F 4/00

See application file for complete search history.

(56) **References Cited**

U.S. PATENT DOCUMENTS

5,409,152 A * 4/1995 Trevino A45C 15/00
224/259
D392,094 S * 3/1998 Lane D3/217

D446,009 S * 8/2001 Mandell D3/216
D557,009 S * 12/2007 Elmberg D3/217
9,745,780 B2 * 8/2017 Chen E05B 65/48
D816,988 S * 5/2018 McLauchlin D3/232

OTHER PUBLICATIONS

Travel Laptop Backpack, Znienie Anti Theft Travel Business Backpack, listed on Amazon Jul. 2, 2018. Viewed online Dec. 18, 2018. Available at URL: https://www.amazon.com/dp/B07F6DKSHY/ref=sspa_dk_detail_9?psc=1.*

Lightweight Travel Laptop Backpack, listed on Amazon Jun. 14, 2018. Viewed online Dec. 18, 2018. Available at URL: https://www.amazon.com/Lightweight-Backpack-Kingsons-Resistant-15-6-Inch/dp/B07DS7PLLC/ref=sr_1_3?ie=UTF8&qid=1545184912&sr=8-3&keywords=backpack+with+zipper+lock.*

* cited by examiner

Primary Examiner — Jennifer L Watkins

(74) *Attorney, Agent, or Firm* — JCIPRNET

(57) **CLAIM**

The ornamental design for a backpack, as shown.

DESCRIPTION

FIG. 1 is a perspective view of a backpack showing our new design;

FIG. 2 is another perspective view thereof;

FIG. 3 is another perspective view thereof;

FIG. 4 is another perspective view thereof;

FIG. 5 is a front view thereof;

FIG. 6 is a rear view thereof;

FIG. 7 is a left view thereof;

FIG. 8 is a right view thereof;

FIG. 9 is a top view thereof; and,

FIG. 10 is a bottom view thereof.

1 Claim, 9 Drawing Sheets

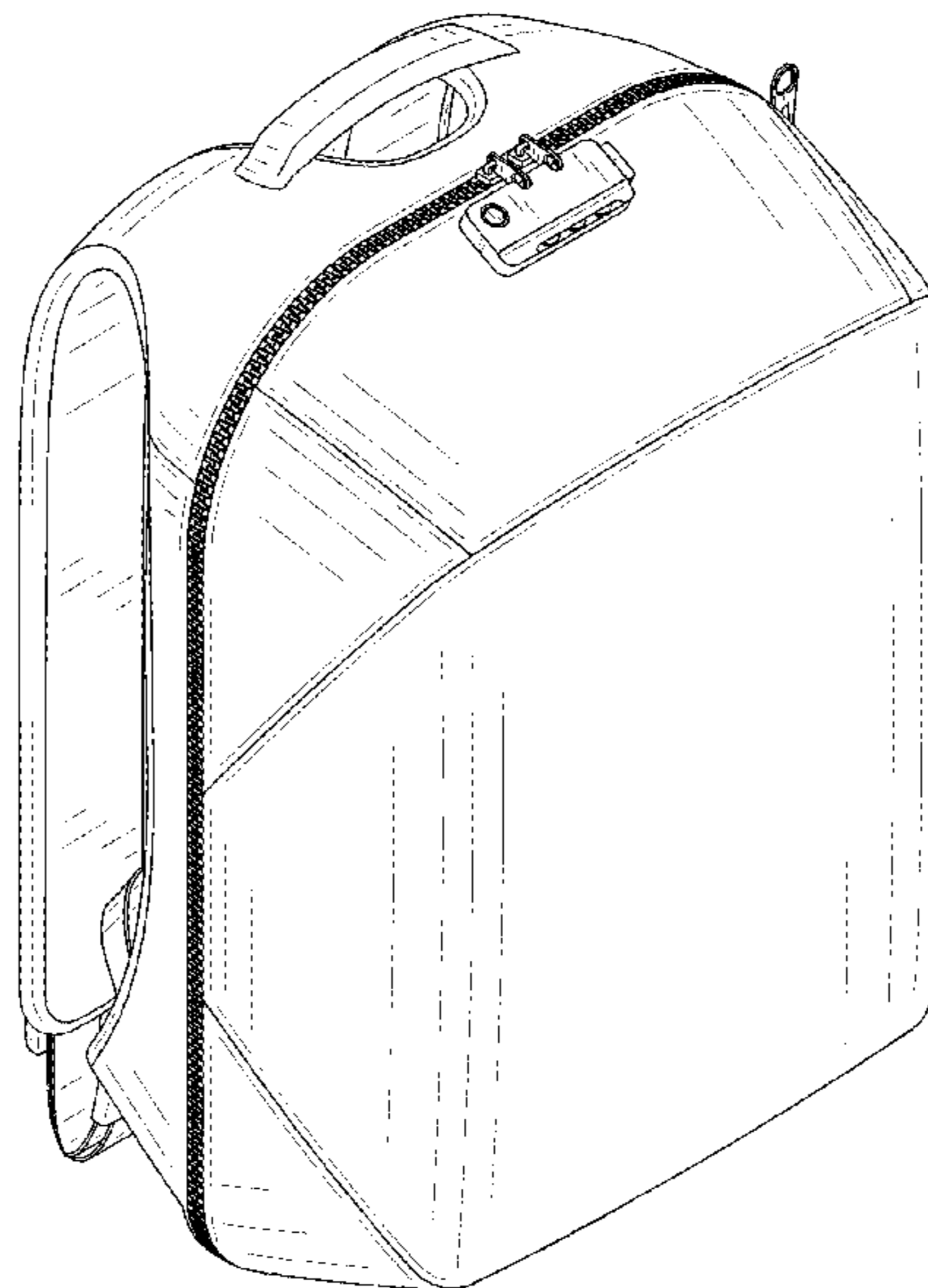




FIG. 1

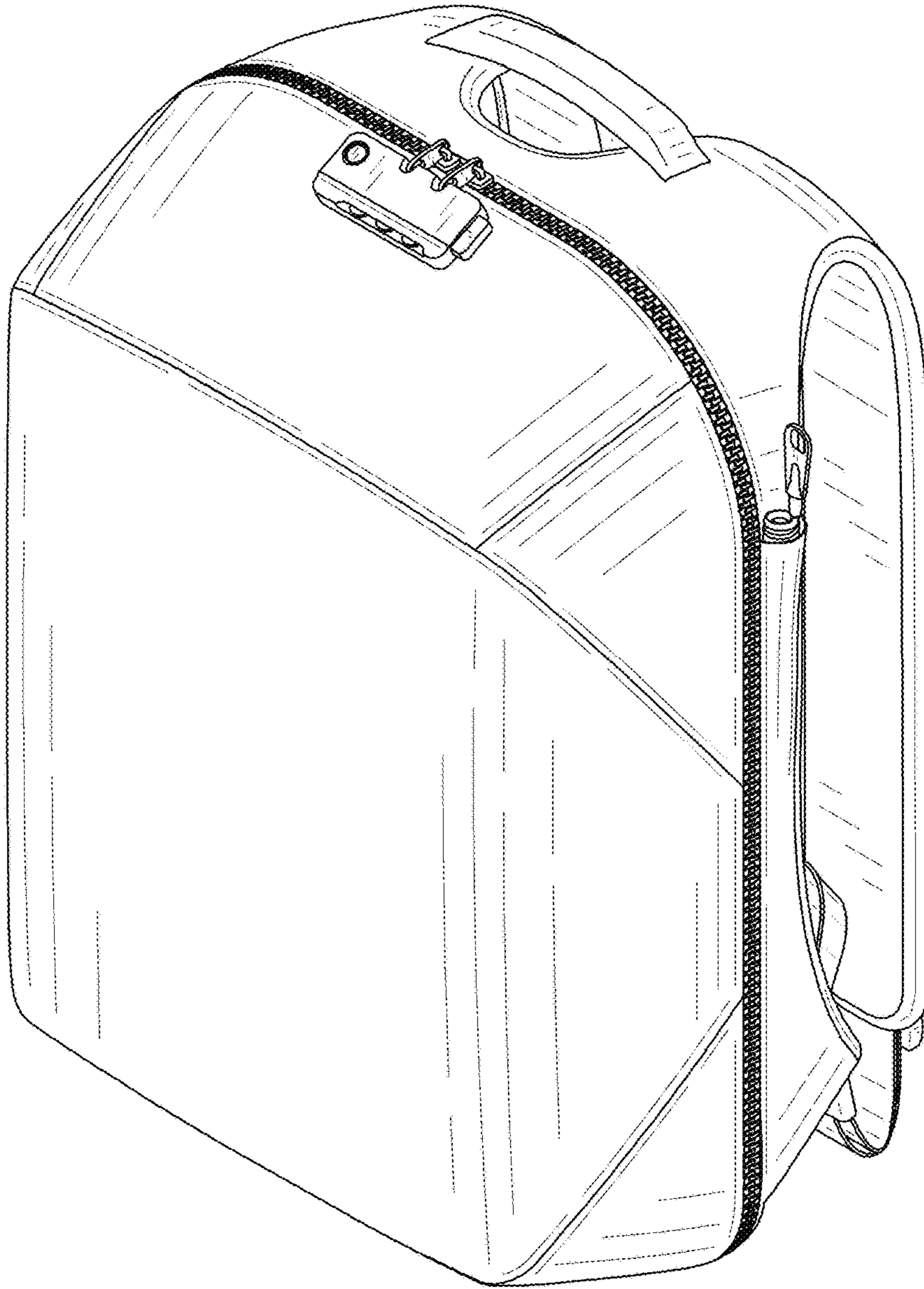


FIG. 2

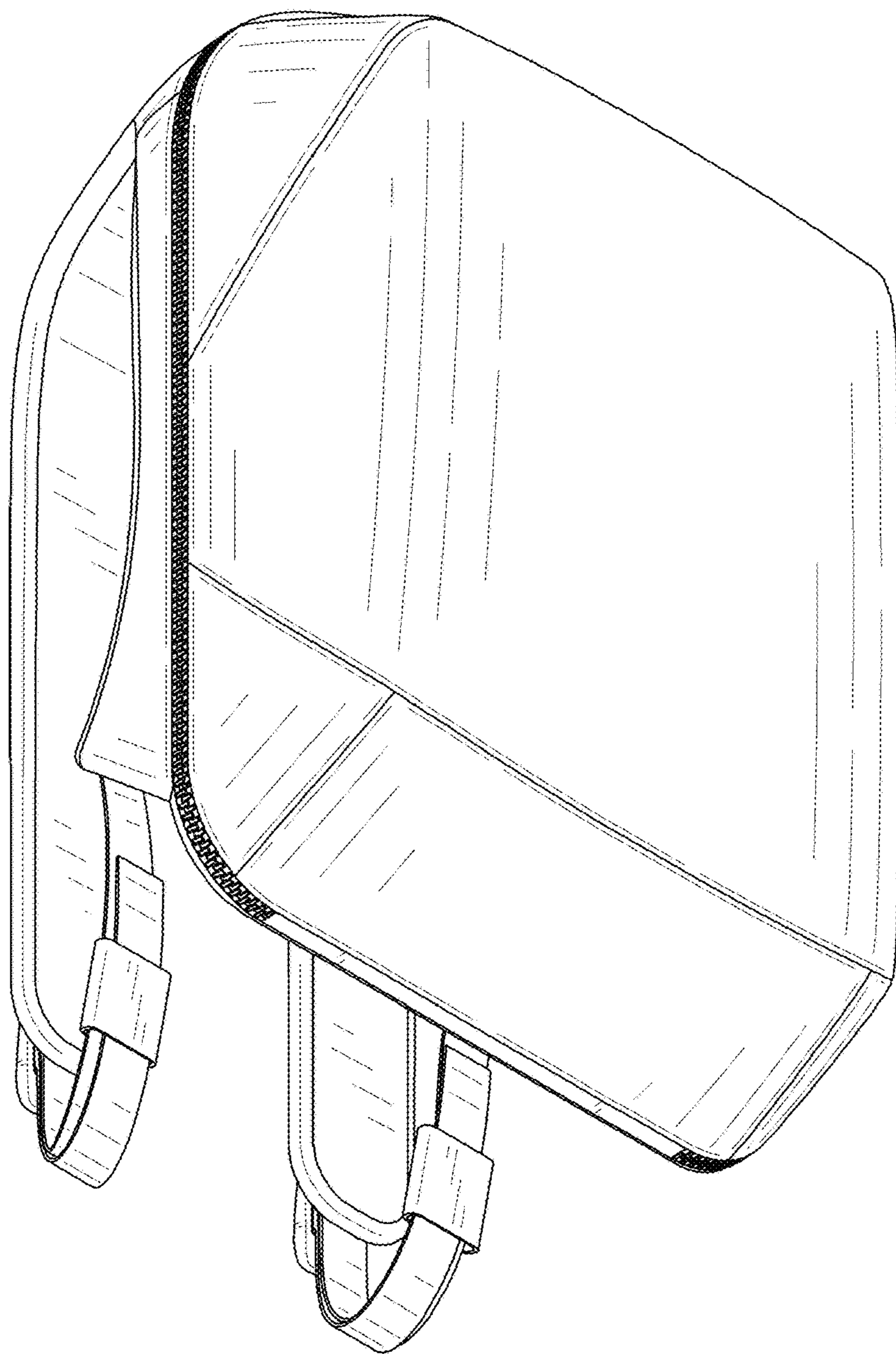


FIG. 3

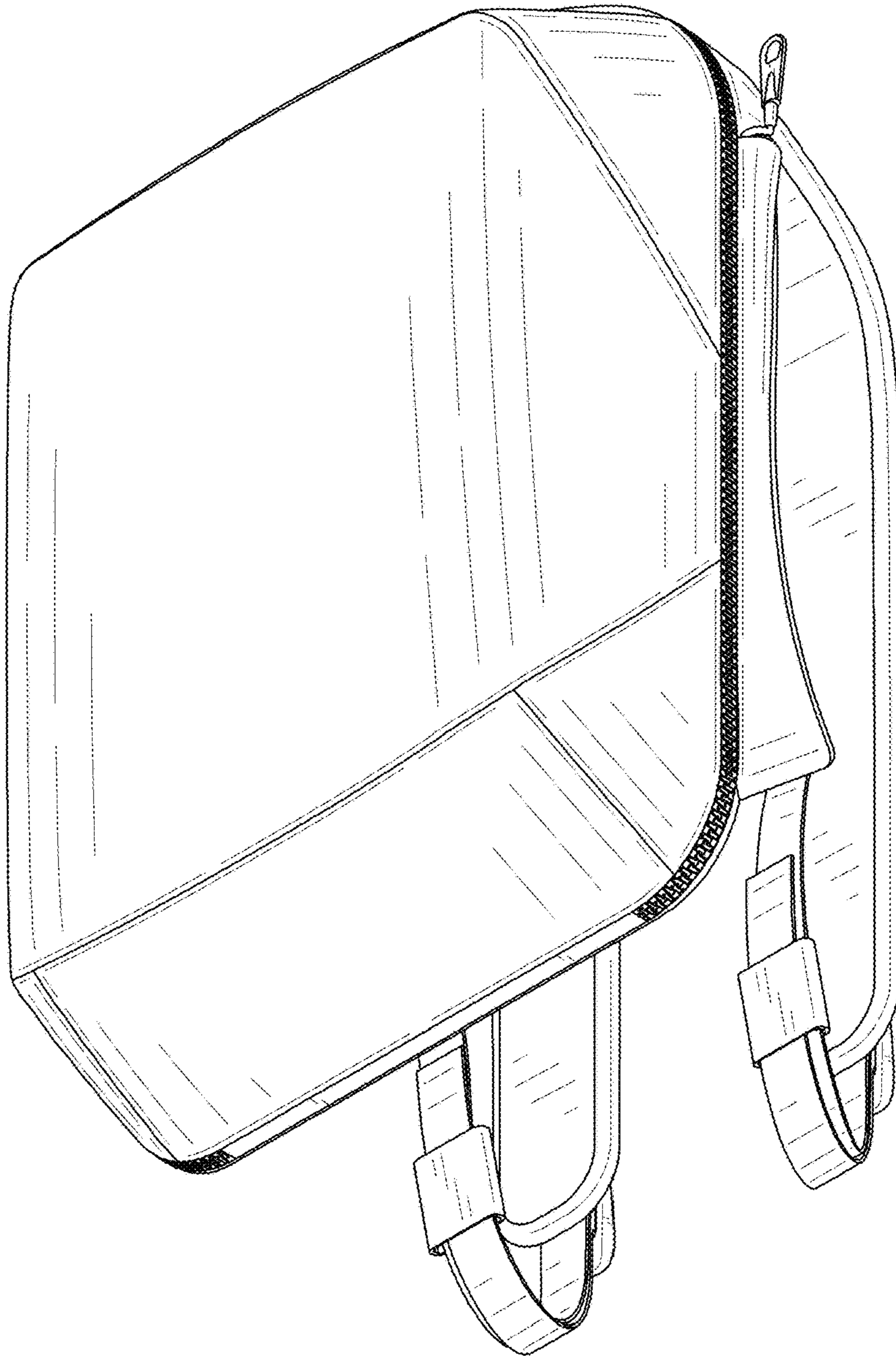


FIG. 4

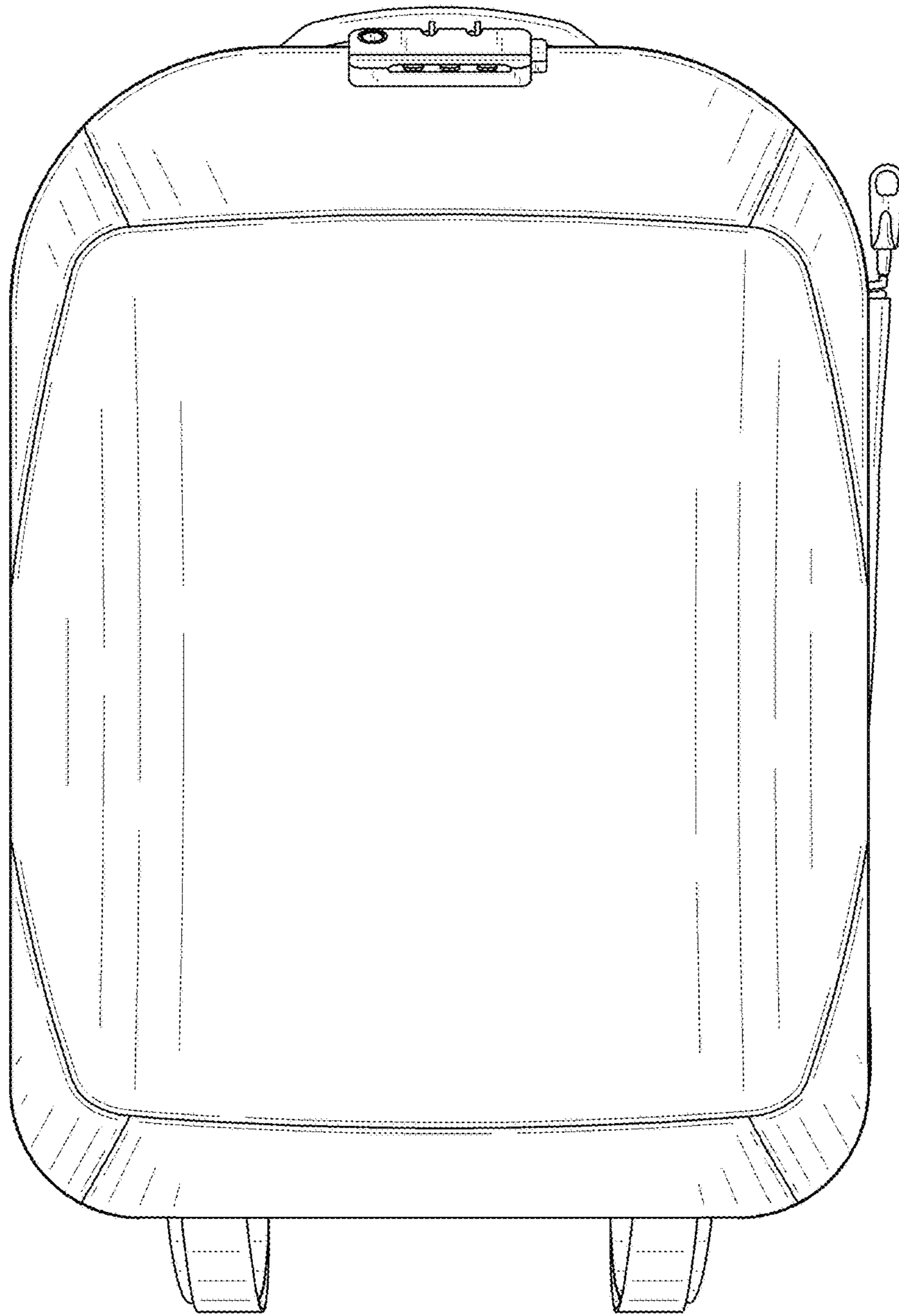


FIG. 5

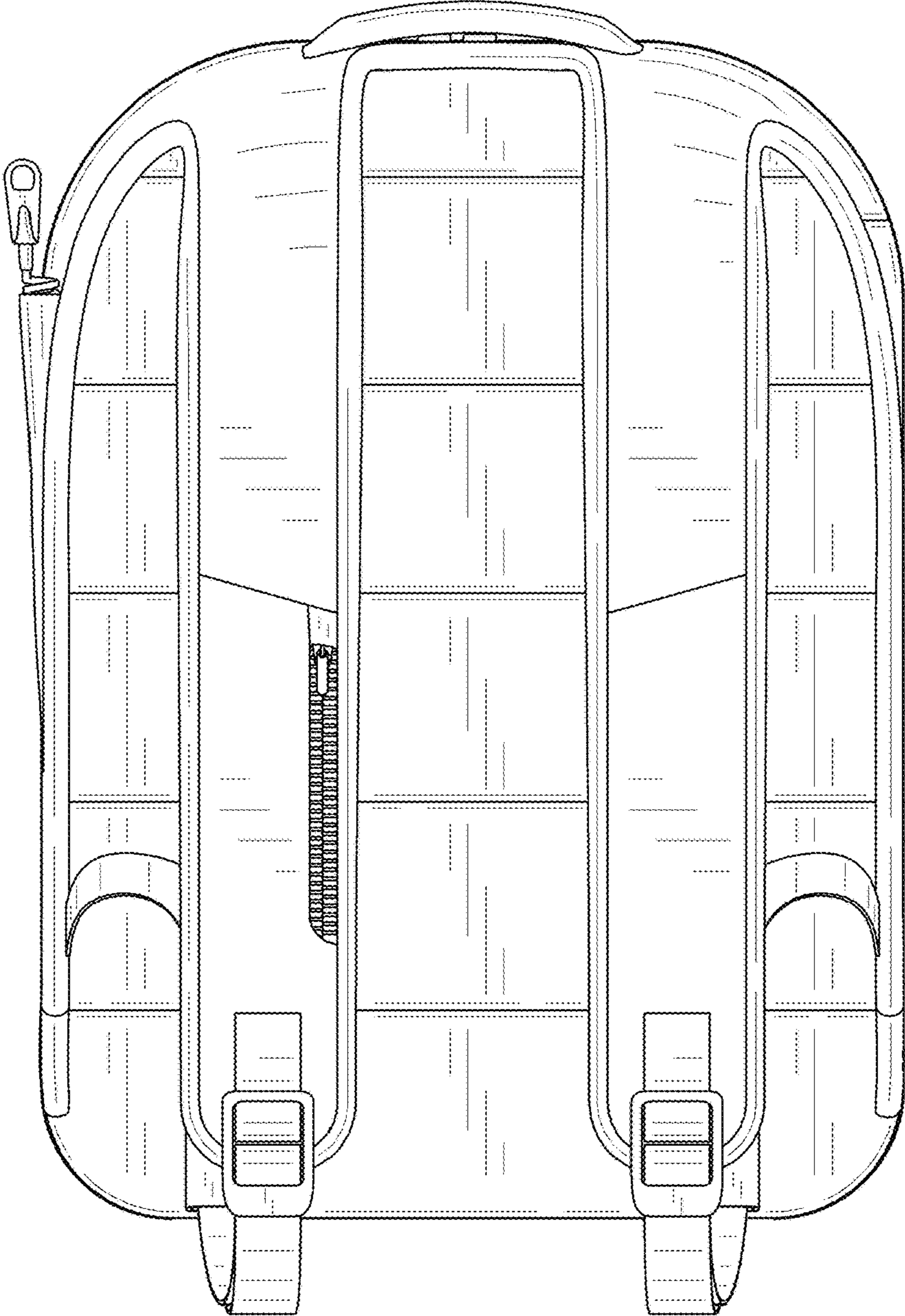


FIG. 6

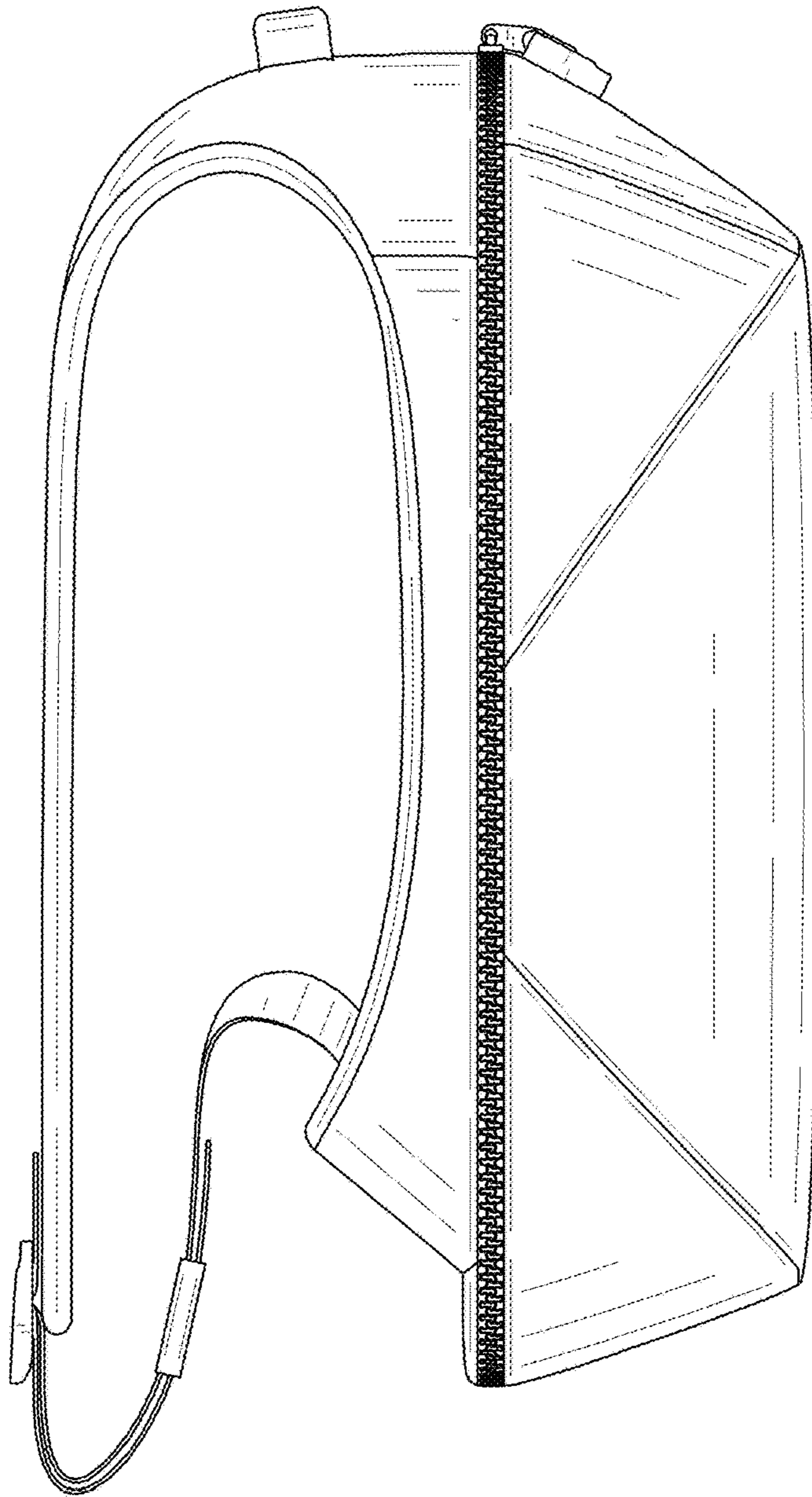


FIG. 7

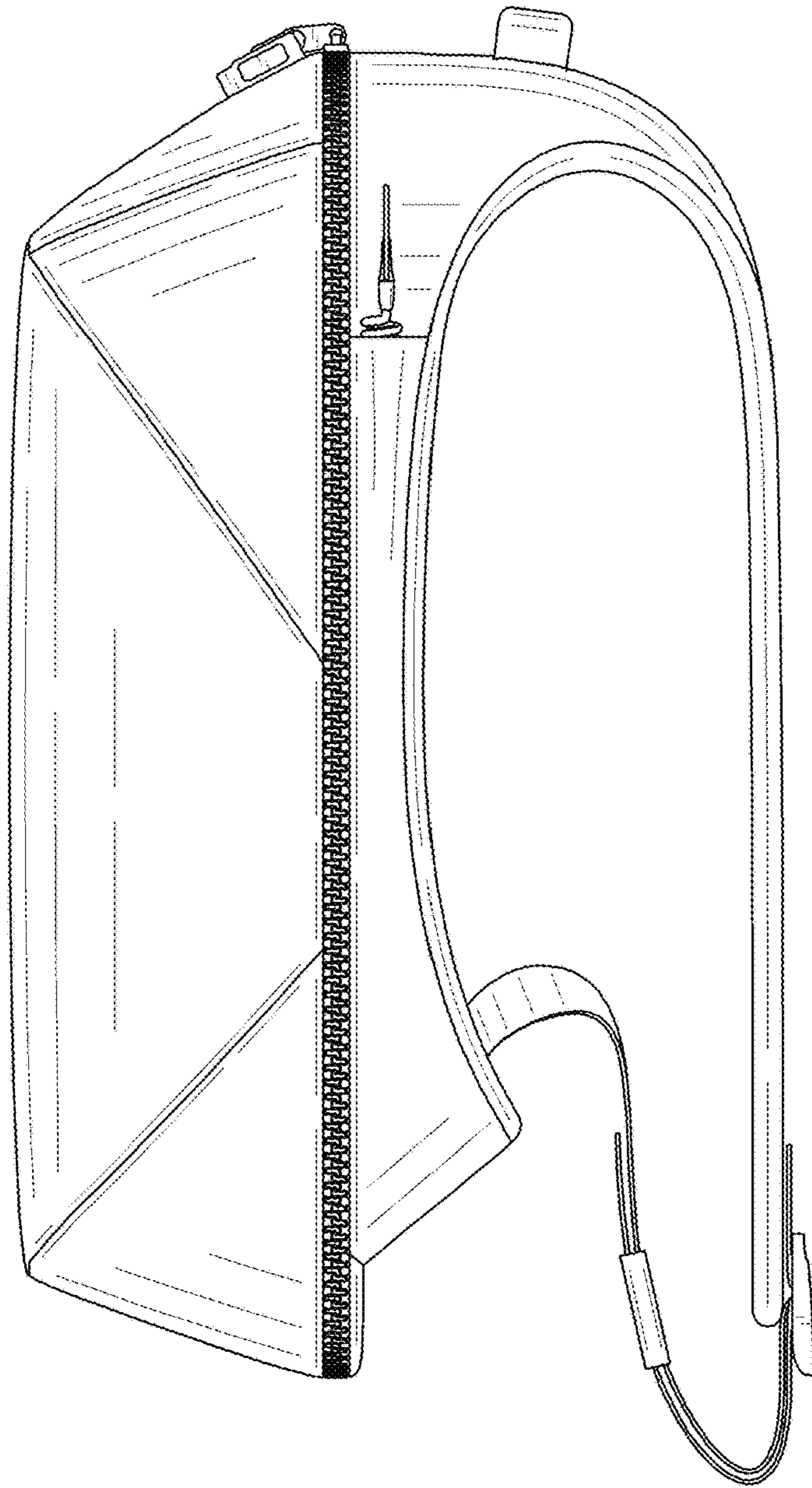


FIG. 8

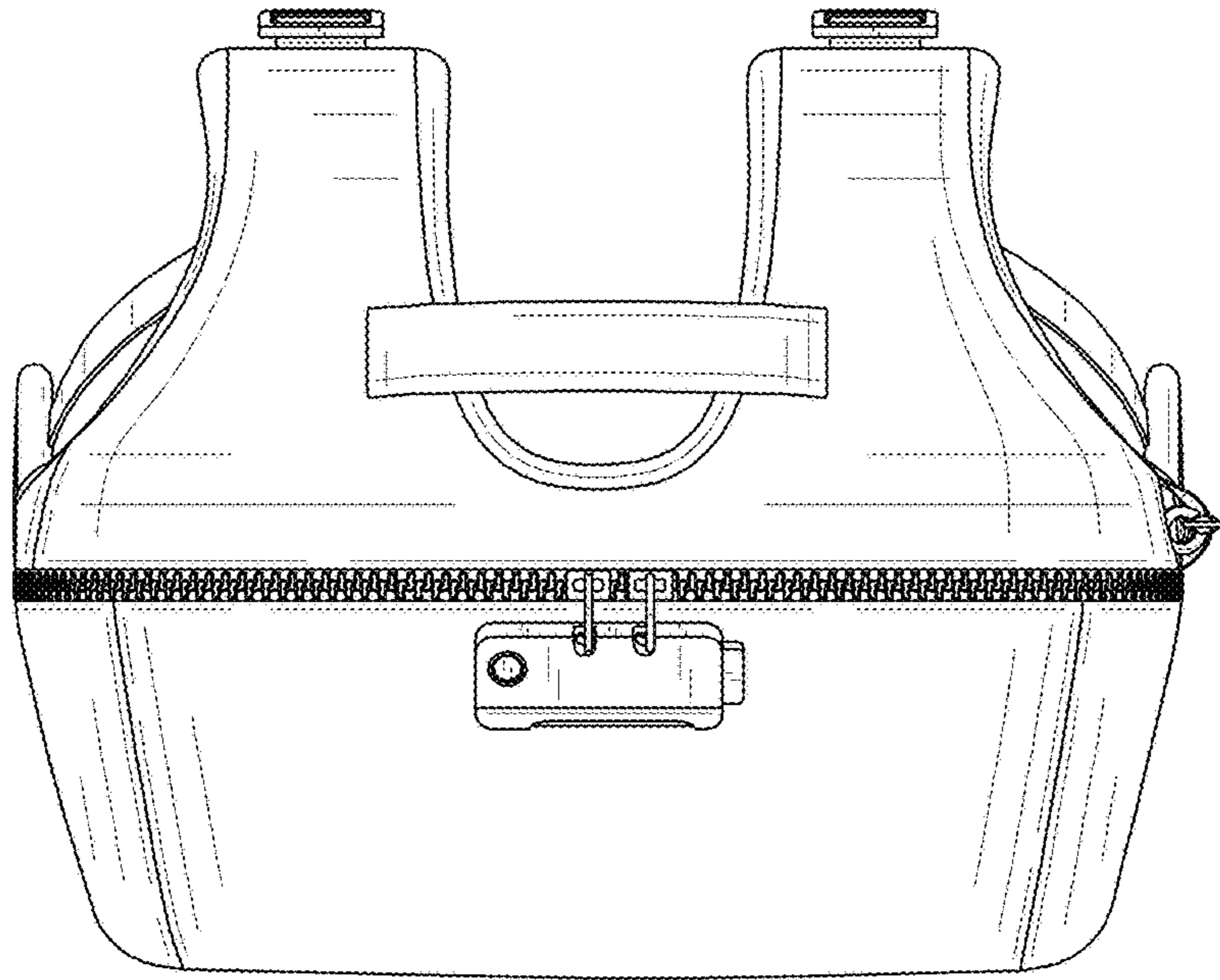


FIG. 9

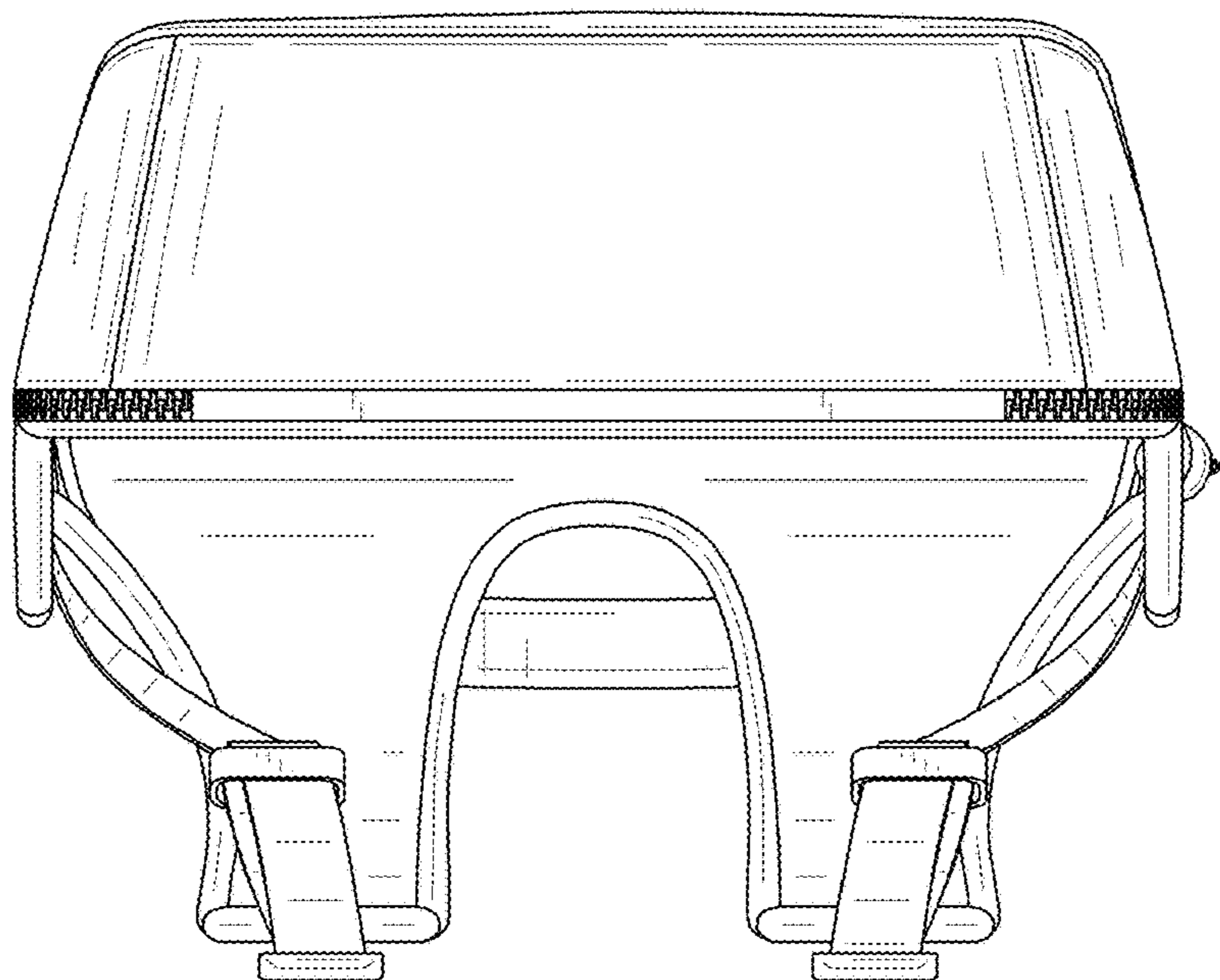


FIG. 10