



US00D844318S

(12) **United States Design Patent**  
**Weiland et al.**

(10) **Patent No.:** **US D844,318 S**

(45) **Date of Patent:** **\*\* Apr. 2, 2019**

(54) **DOCKING STATION**

E05B 65/0075; E05B 65/52; E05B 17/22;  
G07C 9/00944

(71) Applicant: **Knox Associates, Inc.**, Phoenix, AZ  
(US)

See application file for complete search history.

(72) Inventors: **Michael J. Weiland**, Phoenix, AZ  
(US); **James McBride**, Phoenix, AZ  
(US); **Luz Amaya**, Phoenix, AZ (US);  
**Dominik Sheffler**, Phoenix, AZ (US);  
**Jason Pedersen**, Phoenix, AZ (US)

(56) **References Cited**

U.S. PATENT DOCUMENTS

2,086,018	A *	7/1937	Dyer	.....	F25D 23/12
					109/23
D175,369	S *	8/1955	Sciacero	.....	D99/28
D232,644	S *	9/1974	Barrett	.....	D3/208
D273,053	S *	3/1984	Hamborg	.....	D3/207
D322,876	S *	12/1991	Krell	.....	D99/28
5,156,030	A *	10/1992	Hill	.....	E05B 19/0005
					109/46
D335,377	S *	5/1993	Speciale	.....	D3/207
D336,418	S *	6/1993	Carter	.....	D10/104.1
D358,540	S *	5/1995	Trempala	.....	D8/330
D388,953	S *	1/1998	Hartman	.....	D3/212

(Continued)

(73) Assignee: **Knox Associates, Inc.**, Phoenix, AZ  
(US)

*Primary Examiner* — Marie D. Fast Horse

(\*\*) Term: **15 Years**

(74) *Attorney, Agent, or Firm* — Knobbe, Martens, Olson & Bear, LLP

(21) Appl. No.: **29/601,962**

(22) Filed: **Apr. 27, 2017**

(51) **LOC (11) Cl.** ..... **03-01**

(57) **CLAIM**

(52) **U.S. Cl.**  
USPC ..... **D3/212**; D99/28; D99/43

The ornamental design for a docking station, as shown and described.

(58) **Field of Classification Search**

**DESCRIPTION**

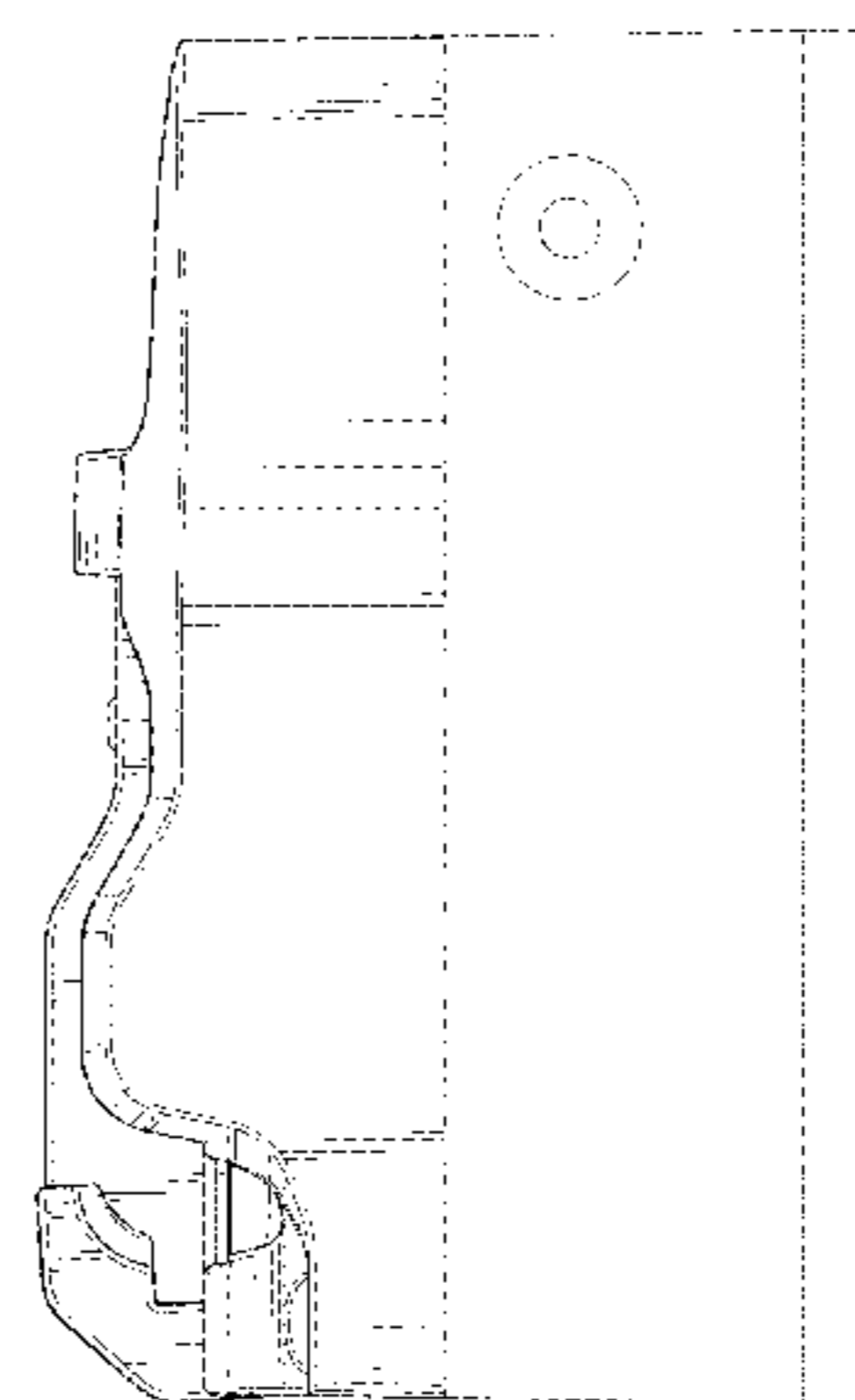
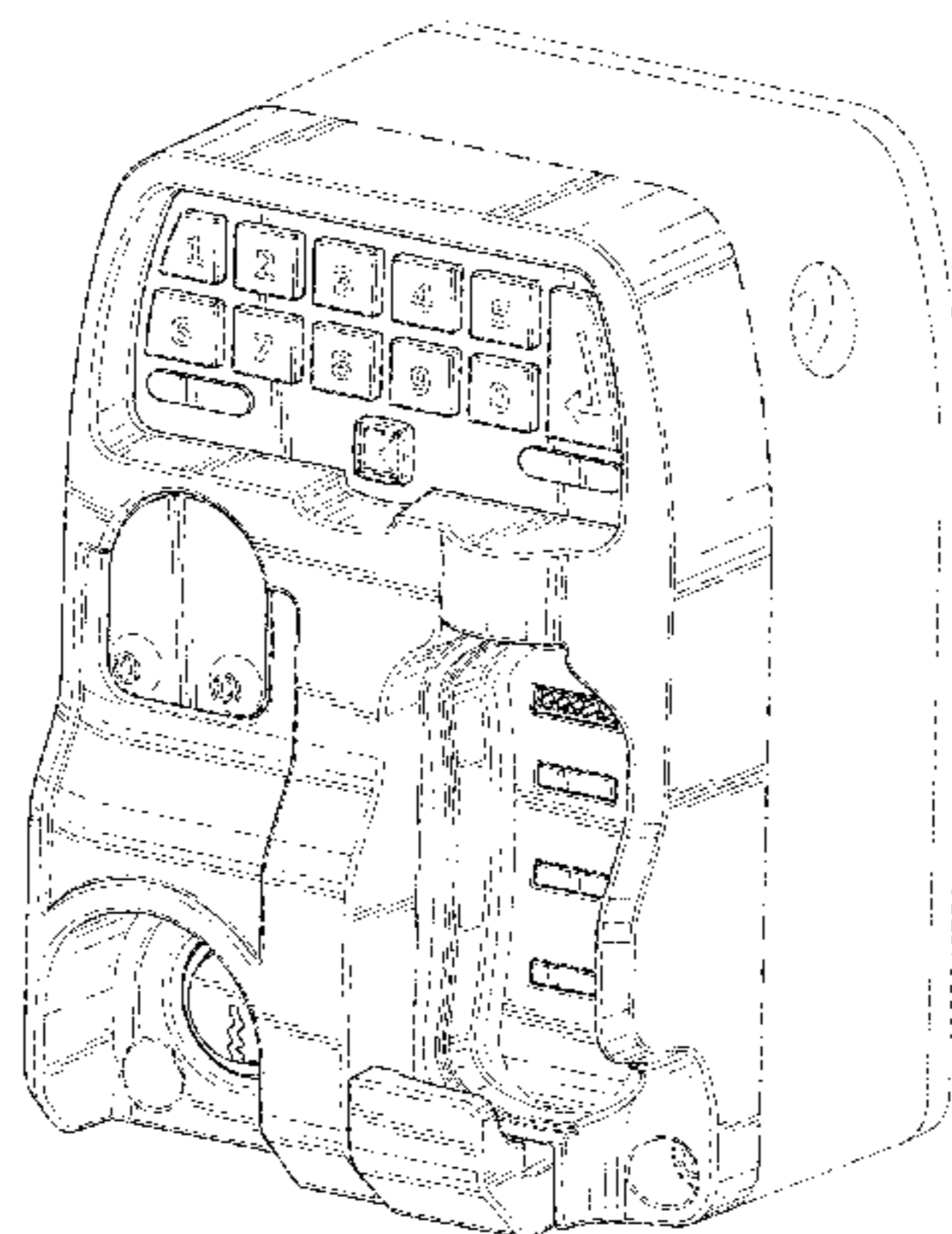
USPC ..... D14/434, 440, 447, 251–253, 432, 451,  
D14/452, 454, 140, 142, 149, 217, 240,  
D14/299, 496, 35, 6, 358, 204, 207,  
D14/209.1, 211, 215, 216, 171; D13/103,  
D13/107, 108, 118, 119, 184; D6/512,  
D6/672, 682; D21/333; D99/28, 43, 99;  
D8/333; D3/207, 208, 212

CPC .... G06F 1/1616; G06F 1/1626; G06F 1/1632;  
G06F 1/1688; G06F 13/00; H01M 10/44;  
F16M 11/10; F16M 11/20; H02J 7/0042;  
H02J 7/00; H02J 7/0027; H02J 7/0044;  
H02J 7/0045; H02J 7/355; H01R 31/065;  
H04R 1/025; H04R 5/04; B65D 55/14;

FIG. 1 is a top, front and right side perspective view of a docking station embodying our new design;  
FIG. 2 is a bottom, rear and right side perspective view thereof;  
FIG. 3 is a front view thereof;  
FIG. 4 is a rear view thereof;  
FIG. 5 is a right side view thereof;  
FIG. 6 is a left side view thereof;  
FIG. 7 is a top view thereof; and,  
FIG. 8 is a bottom view thereof.

In the drawings, the claimed design is defined by the solid lines and shaded surfaces; the dot-dash broken lines immediately adjacent shaded surfaces represent boundary of the claim which extend to the boundary but do not include the

(Continued)



boundary; all other broken line depict portions of the docking station that form no part of the claim.

**1 Claim, 7 Drawing Sheets**

(56)

**References Cited**

U.S. PATENT DOCUMENTS

5,794,466 A \* 8/1998 Hungerford ..... E05B 19/0005  
 109/53  
 D410,130 S \* 5/1999 Kerr ..... D6/559  
 D411,949 S \* 7/1999 Hill ..... D8/331  
 D432,755 S \* 10/2000 Perkitny ..... D99/34  
 D512,898 S \* 12/2005 Metivier ..... D10/106.1  
 D534,965 S \* 1/2007 Chung ..... D21/512  
 D569,073 S \* 5/2008 Osiecki ..... D99/28  
 D622,129 S \* 8/2010 Spivey ..... D8/333  
 D650,548 S \* 12/2011 Meekma ..... D99/28  
 D654,654 S \* 2/2012 Meekma ..... D99/28  
 D655,885 S \* 3/2012 Meekma ..... D99/28  
 D659,344 S \* 5/2012 Meekma ..... D99/28  
 D659,345 S \* 5/2012 Meekma ..... D99/28  
 D678,651 S \* 3/2013 Bartolome ..... D14/901  
 D679,745 S \* 4/2013 Helgesson ..... D18/4.4  
 D681,717 S \* 5/2013 Helgesson ..... D18/4.6  
 D692,745 S \* 11/2013 Stevens ..... D8/334  
 D712,614 S \* 9/2014 Ritzler ..... D14/900  
 D719,315 S \* 12/2014 Berger ..... D99/28

D719,344 S \* 12/2014 Miller ..... D3/203.1  
 D735,437 S \* 7/2015 Randall ..... D99/28  
 D735,438 S \* 7/2015 Randall ..... D99/28  
 D735,439 S \* 7/2015 Randall ..... D99/28  
 D735,440 S \* 7/2015 Randall ..... D99/28  
 D735,963 S \* 8/2015 Randall ..... D99/28  
 D735,964 S \* 8/2015 Randall ..... D99/28  
 D735,965 S \* 8/2015 Randall ..... D99/28  
 D739,637 S \* 9/2015 Randall ..... D99/28  
 D739,638 S \* 9/2015 Randall ..... D99/28  
 D739,639 S \* 9/2015 Randall ..... D99/28  
 D742,090 S \* 10/2015 Randall ..... D99/28  
 D748,889 S \* 2/2016 Ng ..... D99/28  
 D772,522 S \* 11/2016 Henderson ..... D99/28  
 D778,024 S \* 1/2017 Zaniker ..... G06Q 30/0645  
 D99/28  
 D785,898 S \* 5/2017 Rotem ..... D99/28  
 D794,320 S \* 8/2017 Downes ..... D3/207  
 D795,523 S \* 8/2017 King ..... D99/28  
 D802,872 S \* 11/2017 Frisher ..... D99/28  
 D802,874 S \* 11/2017 King ..... D99/28  
 D802,875 S \* 11/2017 King ..... D99/28  
 D802,876 S \* 11/2017 King ..... D99/28  
 D802,877 S \* 11/2017 King ..... D99/28  
 D802,878 S \* 11/2017 King ..... D99/28  
 D806,349 S \* 12/2017 Birnie ..... D99/28  
 D813,059 S \* 3/2018 MacKay ..... D10/42  
 D815,389 S \* 4/2018 Hu ..... D99/43  
 2016/0002951 A1 \* 1/2016 Buchner ..... G07F 11/54  
 221/154  
 2018/0186531 A1 \* 7/2018 McBride ..... B65D 55/14

\* cited by examiner

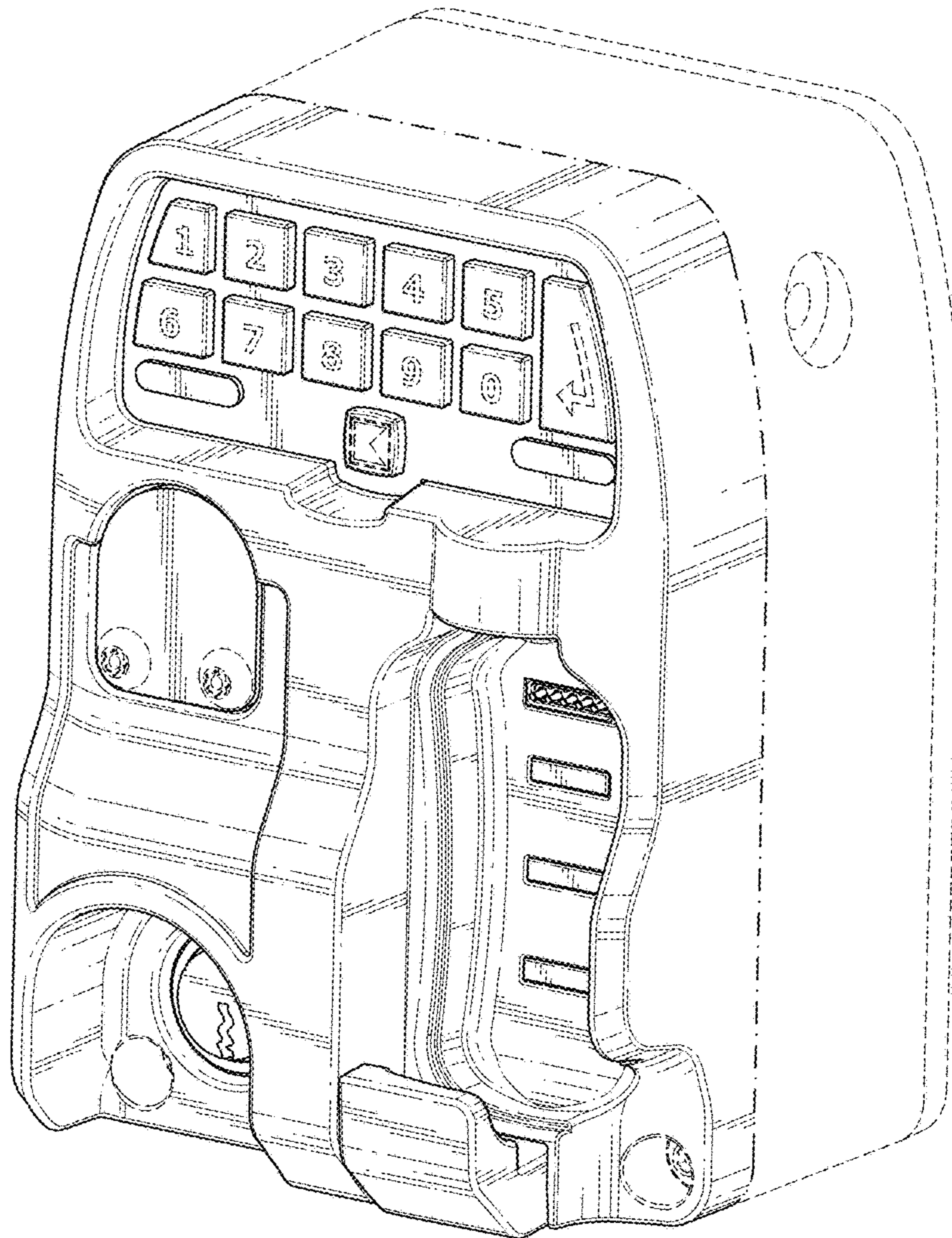


FIG. 1

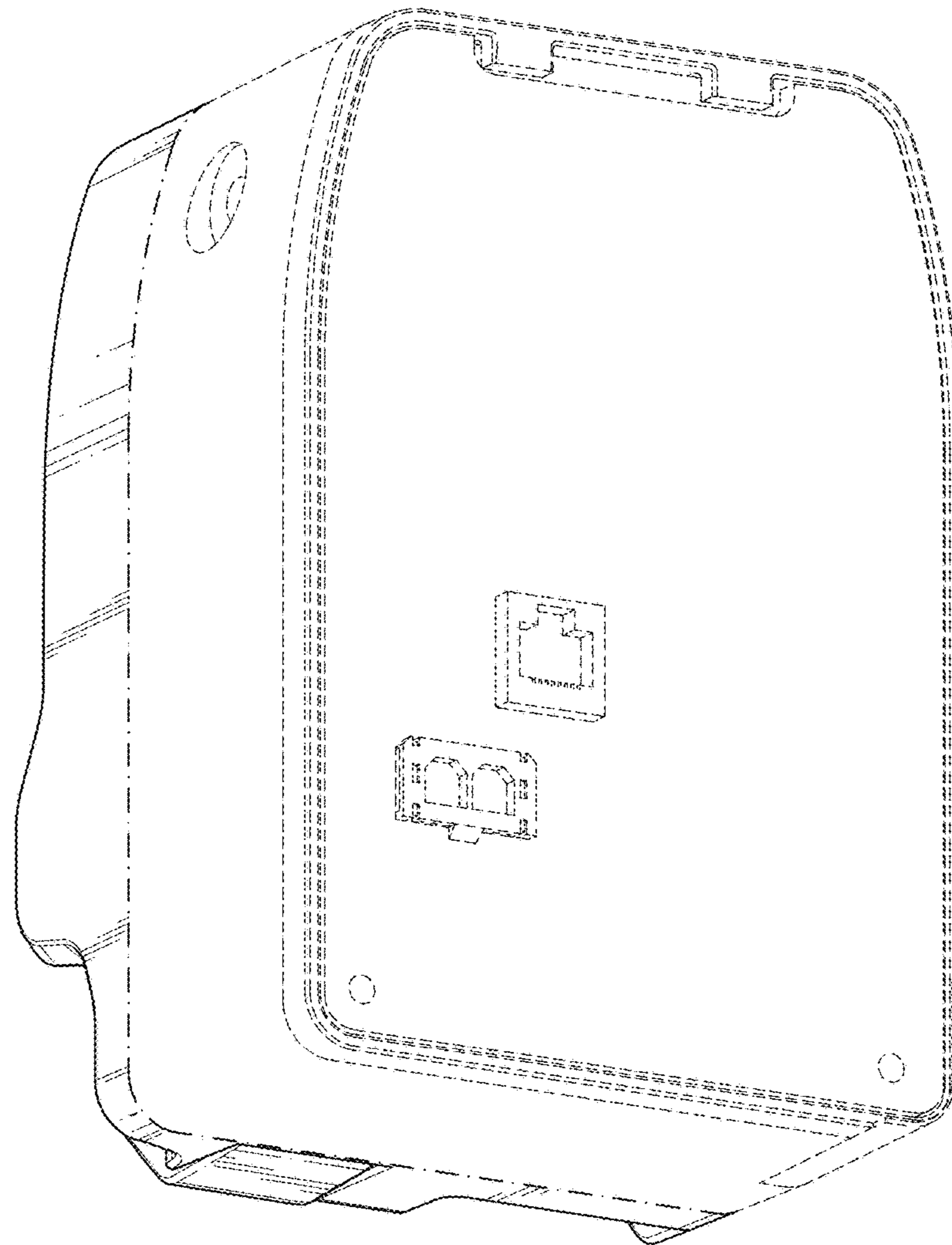


FIG. 2

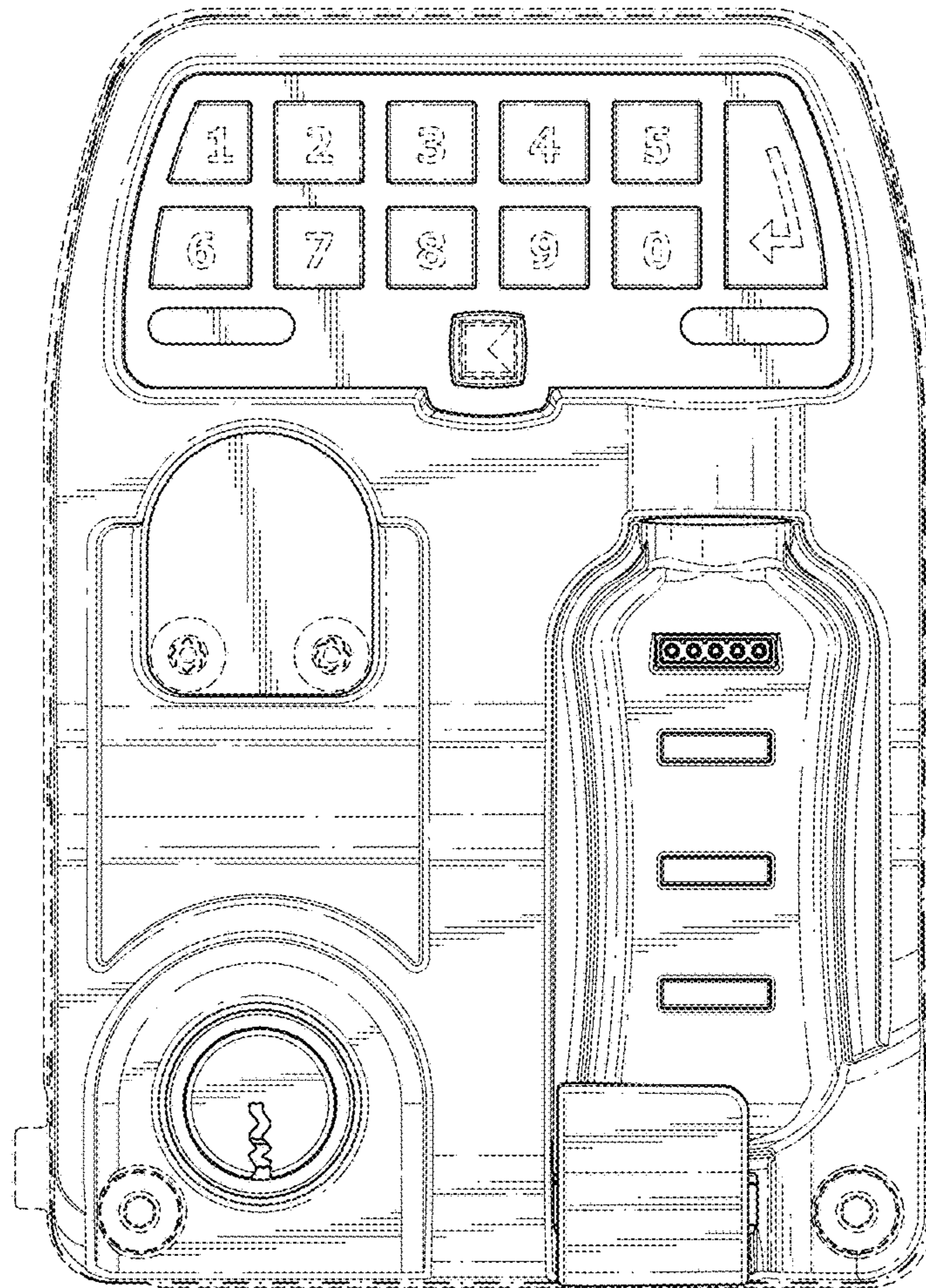


FIG. 3

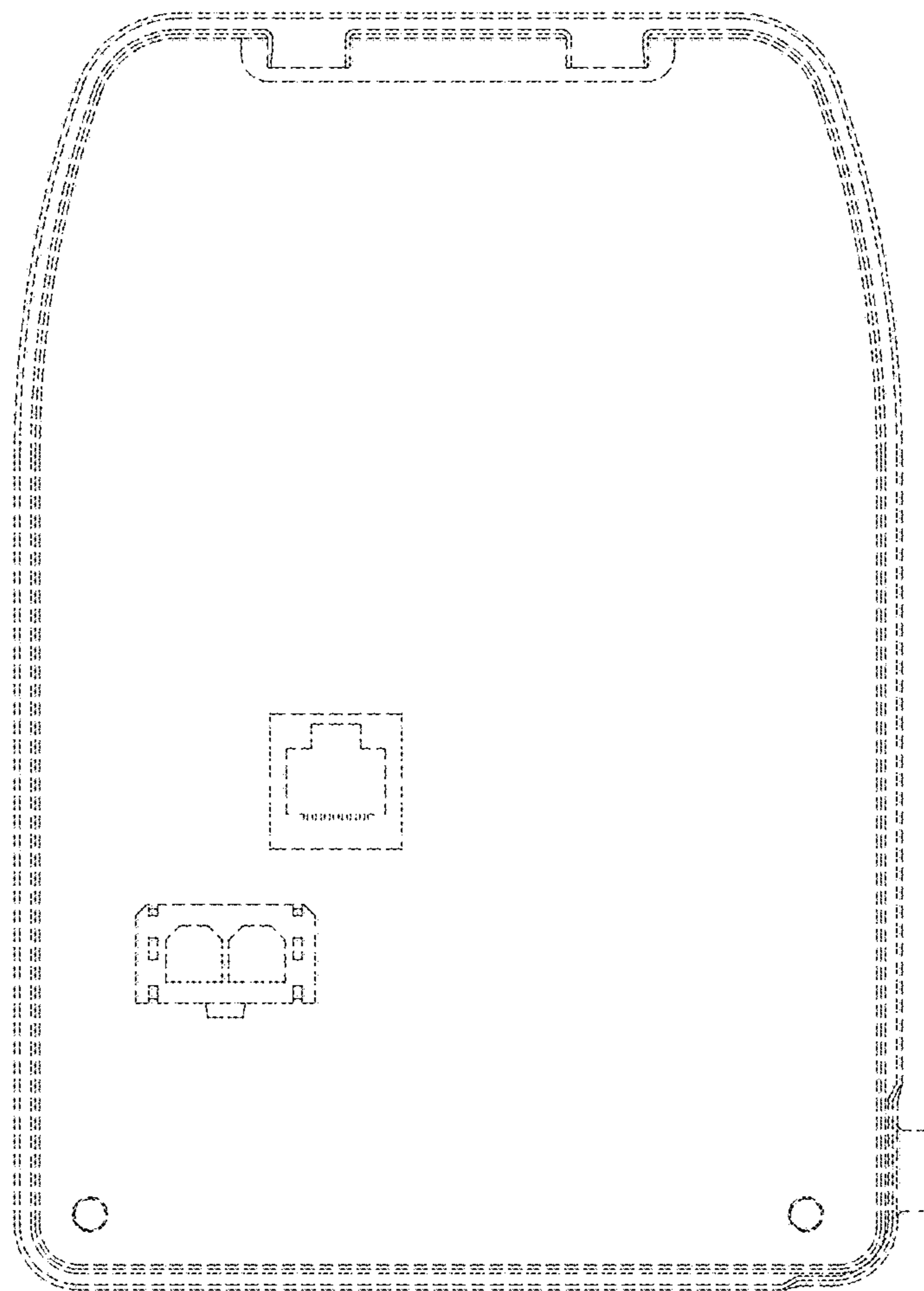


FIG. 4

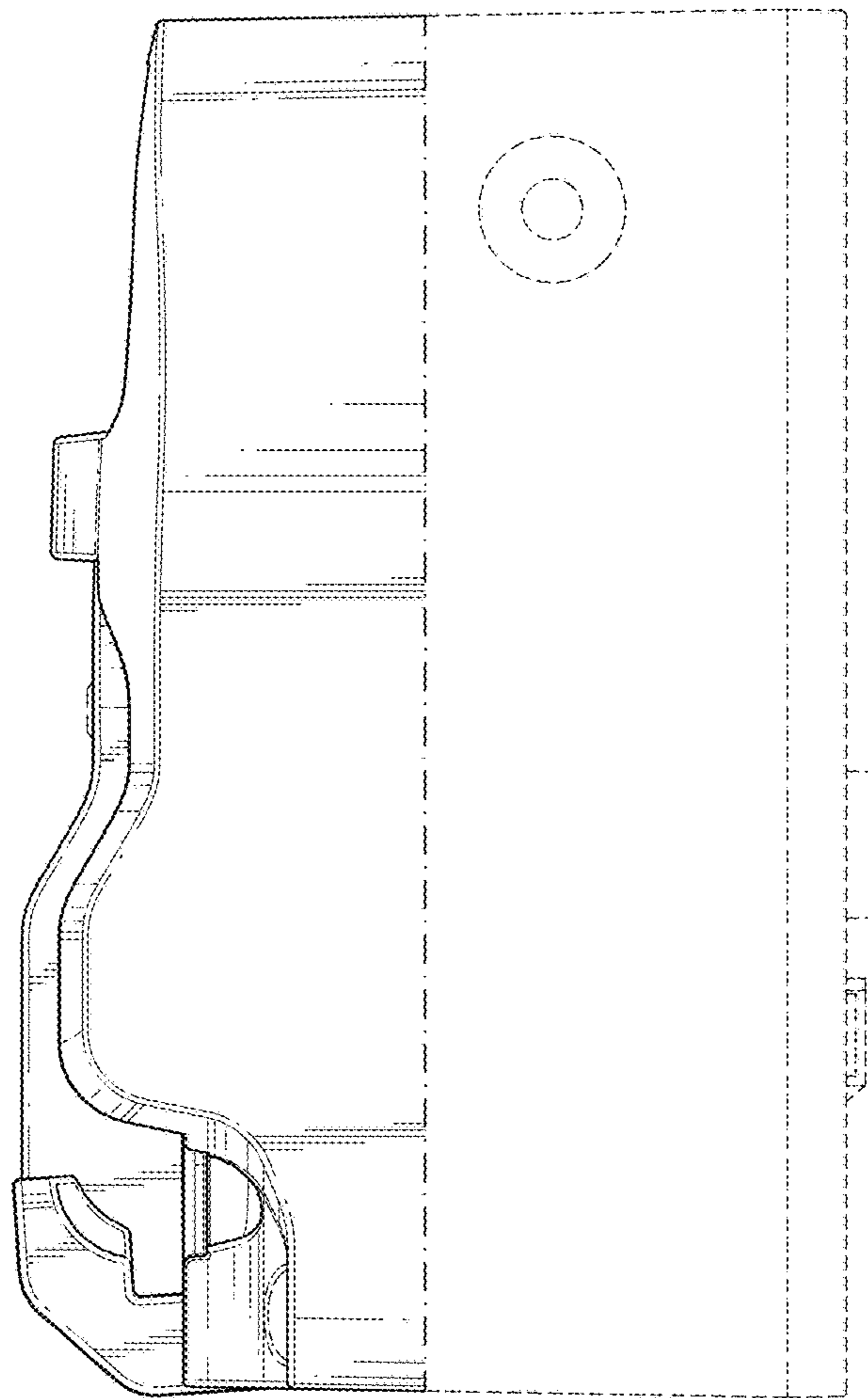


FIG. 5

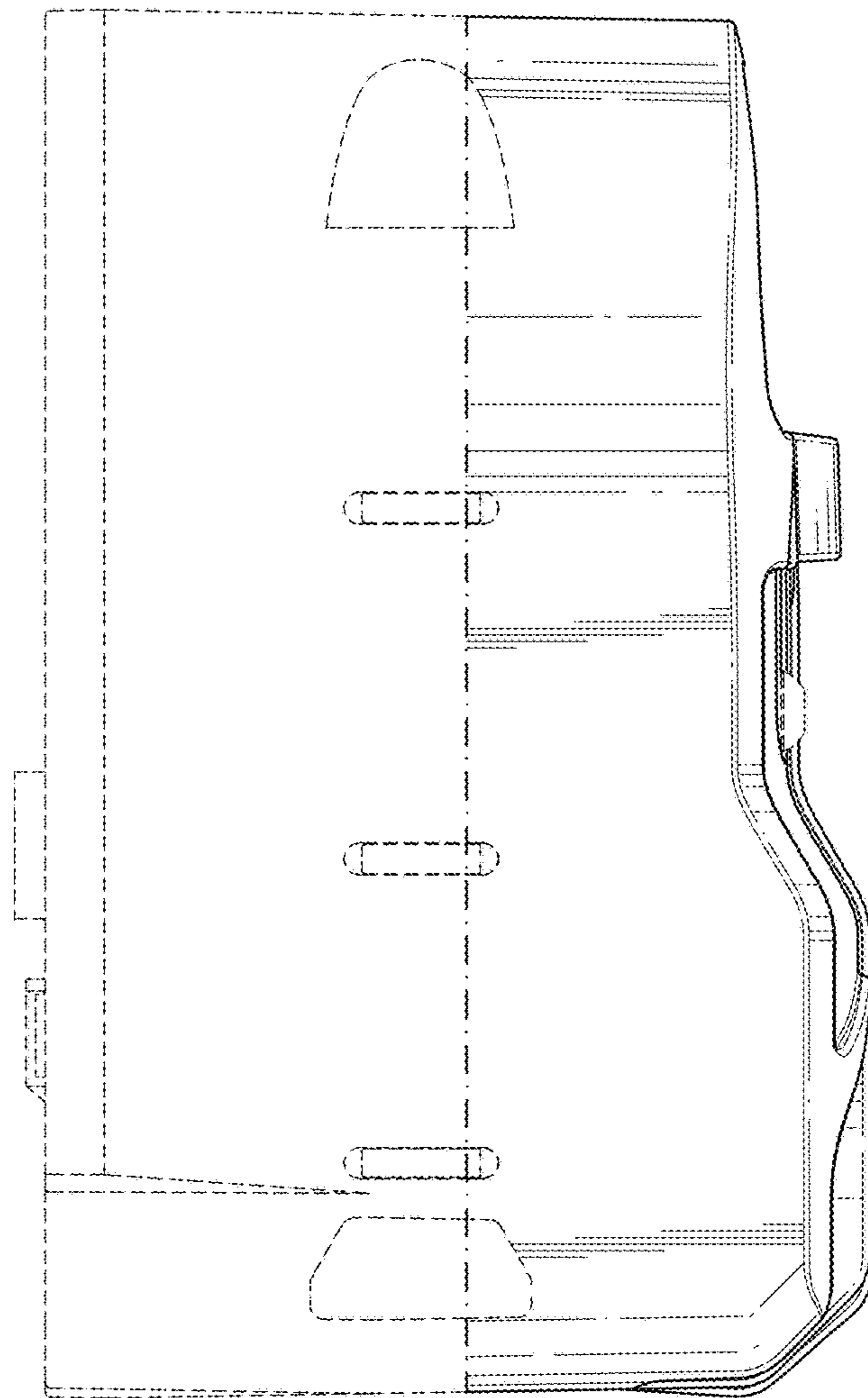


FIG. 6



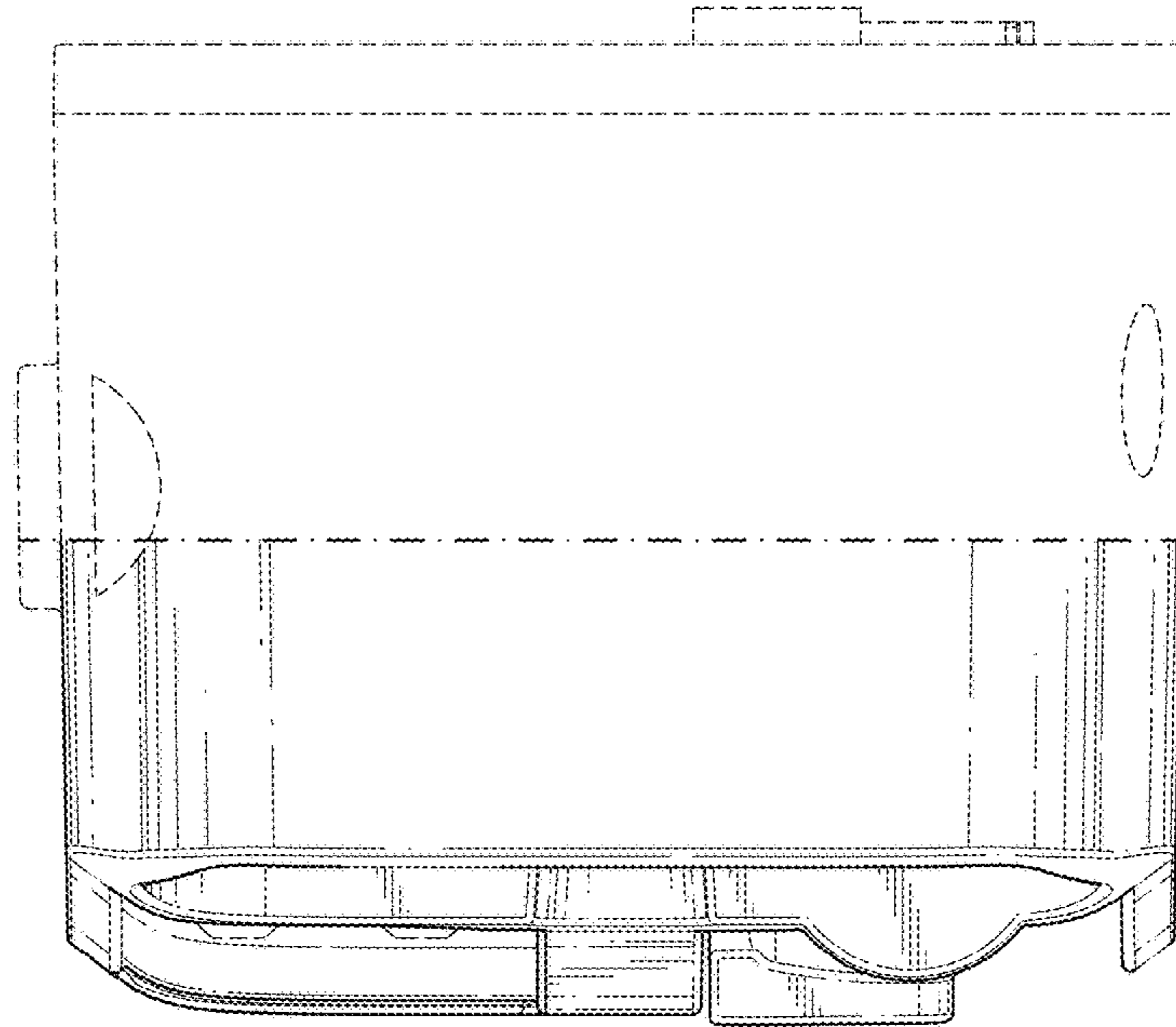


FIG. 7

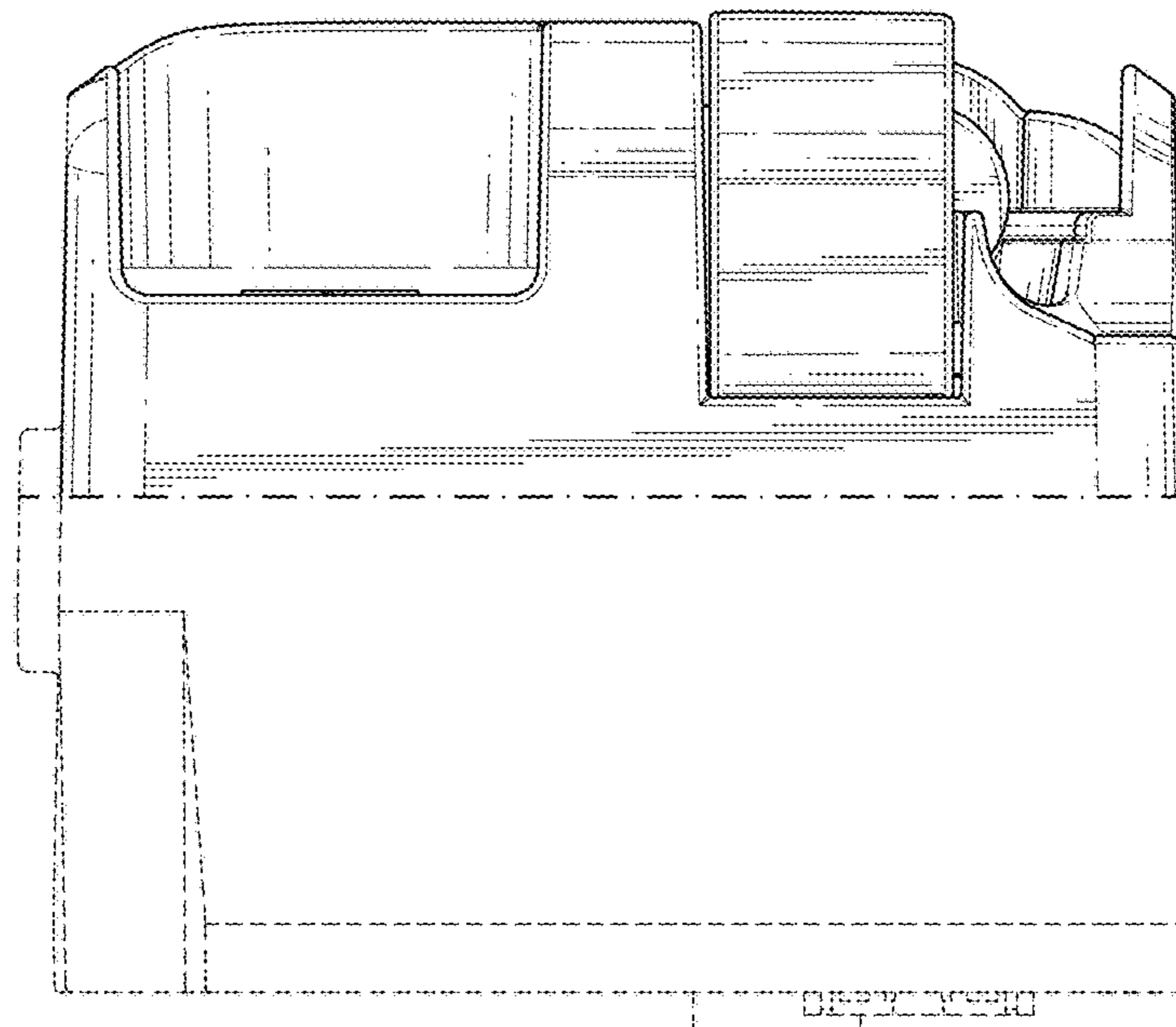


FIG. 8