



US00D844317S

(12) **United States Design Patent**  
**Poletowski**

(10) **Patent No.:** **US D844,317 S**

(45) **Date of Patent:** **\*\* Apr. 2, 2019**

(54) **BELT CLIP KEY RING RETAINER**

(71) Applicant: **Adam J. Poletowski**, Buffalo, NY (US)

(72) Inventor: **Adam J. Poletowski**, Buffalo, NY (US)

(\*\*) Term: **15 Years**

(21) Appl. No.: **35/001,371**

(22) Filed: **May 12, 2017**

(80) **Hague Agreement Data**

Int. Filing Date: **May 12, 2017**

Int. Reg. No.: **DM/096810**

Int. Reg. Date: **May 12, 2017**

Int. Reg. Pub. Date: **Nov. 17, 2017**

(51) **LOC (11) Cl.** ..... **03-01**

(52) **U.S. Cl.**  
USPC ..... **D3/207**

(58) **Field of Classification Search**  
USPC ..... D3/207-212; D16/100; D26/28  
CPC ..... A45C 11/32; A47G 29/10  
See application file for complete search history.

(56) **References Cited**

**U.S. PATENT DOCUMENTS**

445,893	A *	2/1891	Hutchinson et al. ...	F16B 45/02 24/601.4
928,006	A *	7/1909	Thomas	A45F 5/02 24/3.6
1,095,247	A *	5/1914	Toce	A45F 5/02 24/3.12
D46,019	S *	6/1914	Cantrell et al.	D3/207
1,206,074	A *	11/1916	Zwiener et al.	A44B 15/002 224/666
1,341,930	A *	6/1920	Roblin	A45F 5/02 24/3.12
3,929,266	A *	12/1975	Kim	A45F 5/02 224/255
3,970,227	A *	7/1976	Hardy	A45F 5/02 224/255

D248,515	S *	7/1978	Olson	D3/207
4,107,823	A *	8/1978	Siesto	A45F 5/02 24/3.6
4,113,156	A *	9/1978	Brito	A45F 5/02 224/268
D339,909	S *	10/1993	Burton	D2/639
D364,269	S *	11/1995	Sabosky	D3/207
D382,105	S *	8/1997	Bonaldi	D11/201
5,669,112	A *	9/1997	Huang	B65D 71/08 24/16 R
D415,343	S *	10/1999	Maddox	D3/207
D416,675	S *	11/1999	MacDonald	D3/207
D446,109	S *	8/2001	Kalbach	D8/367
D514,310	S *	2/2006	Roye	D3/207
D604,944	S *	12/2009	Chiu	D3/211
D670,903	S *	11/2012	Ormsbee	D3/215
D754,964	S *	5/2016	Hernandez	D3/207
D773,801	S *	12/2016	Baldwin	D3/207
D781,571	S *	3/2017	Moerer	D3/215
D813,087	S *	3/2018	Siders	D11/206

\* cited by examiner

*Primary Examiner* — Manpreet S Matharu

*Assistant Examiner* — Holly E Thurman

(74) *Attorney, Agent, or Firm* — Dunlap Bennett & Ludwig PLLC; Brendan E. Squire

(57) **CLAIM**

The ornamental design for a belt clip key ring retainer, as shown and described.

**DESCRIPTION**

1. Belt clip key ring retainer

**1.1** : Perspective view

**1.2** : Front view

**1.3** : Rear view

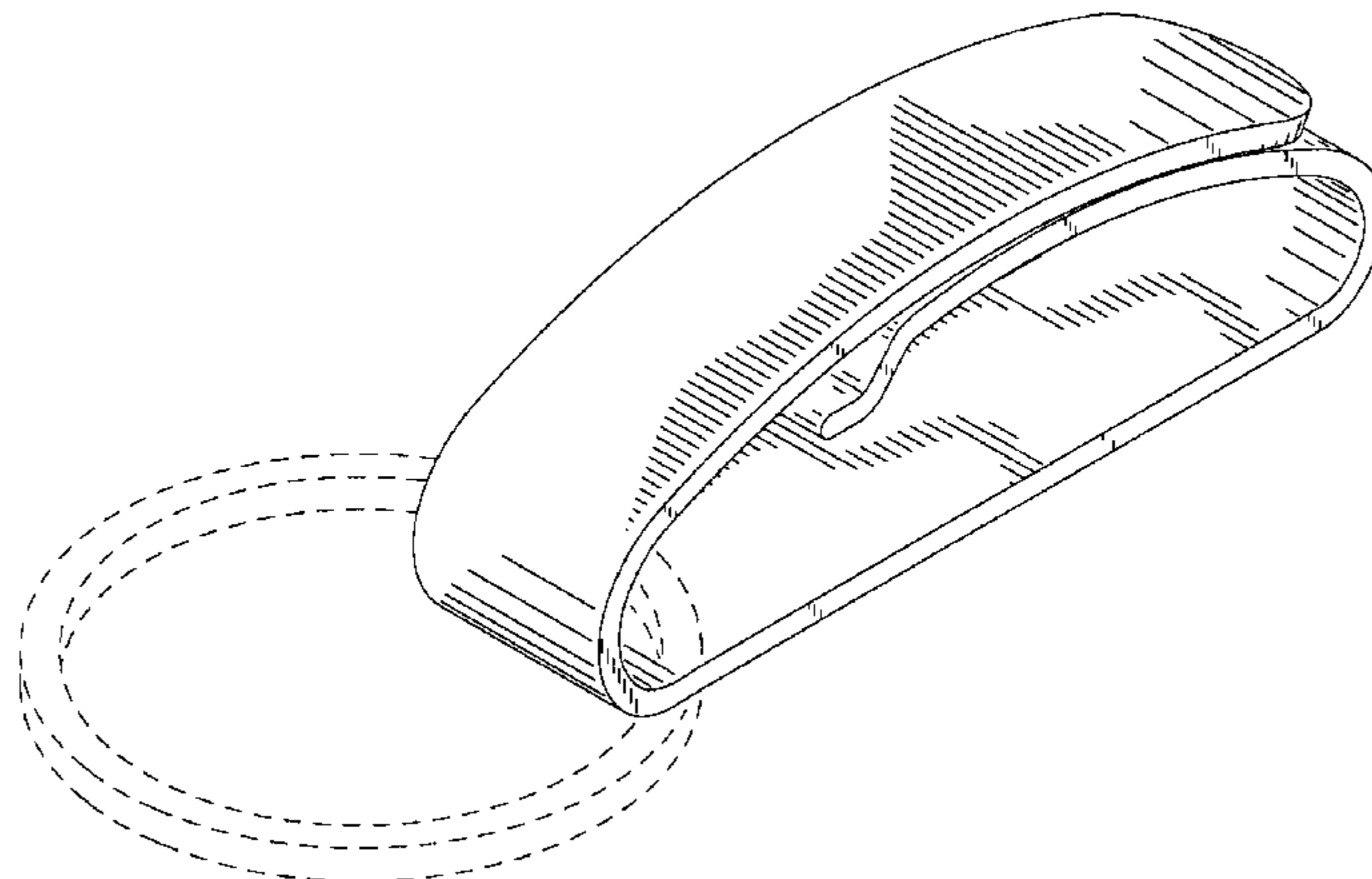
**1.4** : Top view

**1.5** : Bottom view

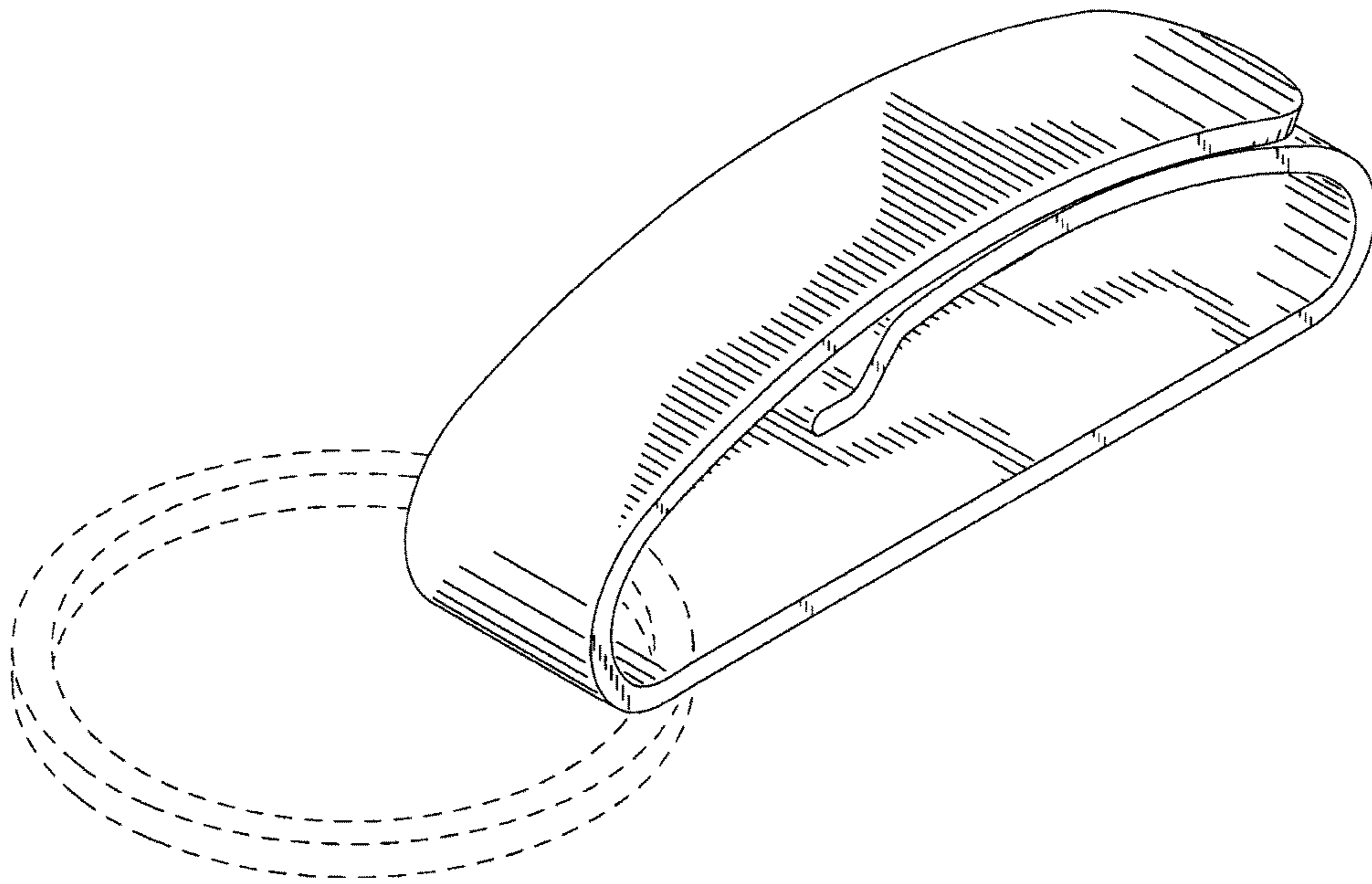
**1.6** : Left side, right side mirror image of left side

The broken lines in the drawings showing the belt clip key ring retainer illustrates environment and forms no part of the claim.

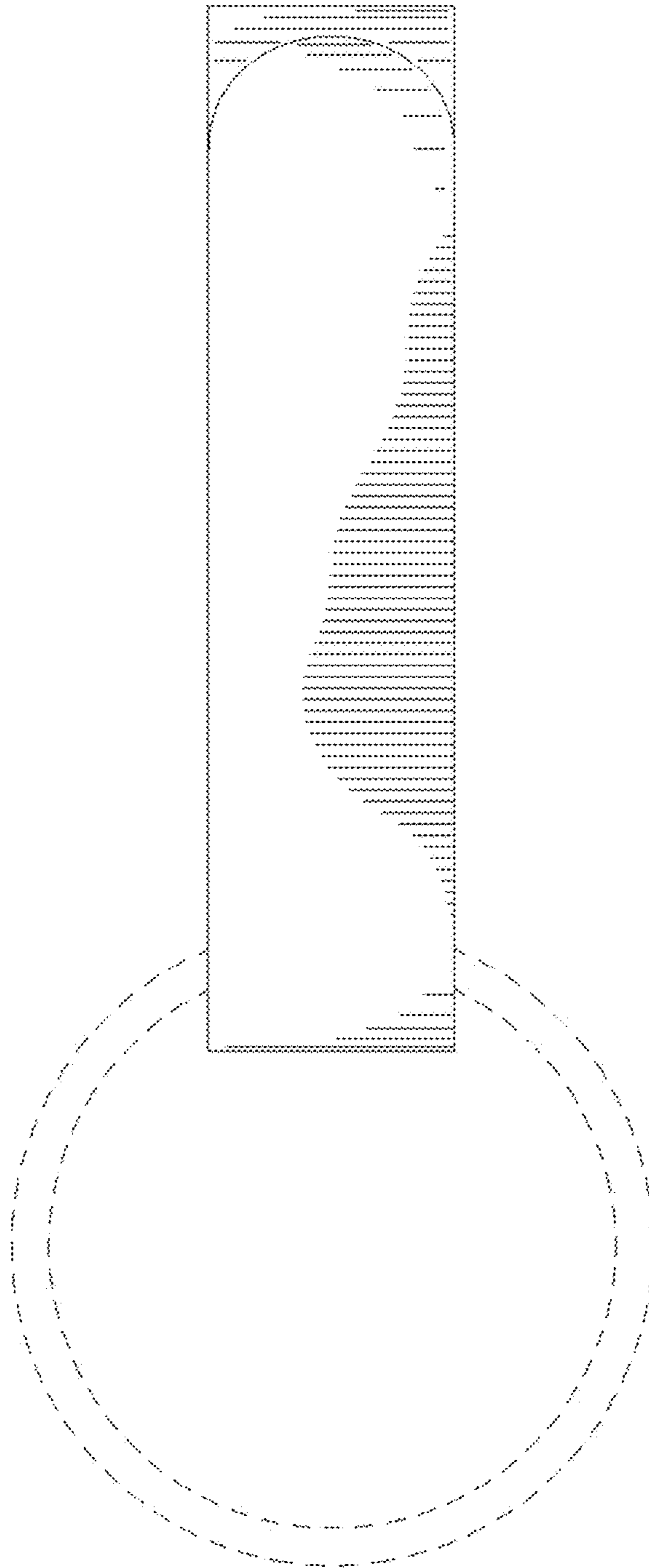
**1 Claim, 6 Drawing Sheets**



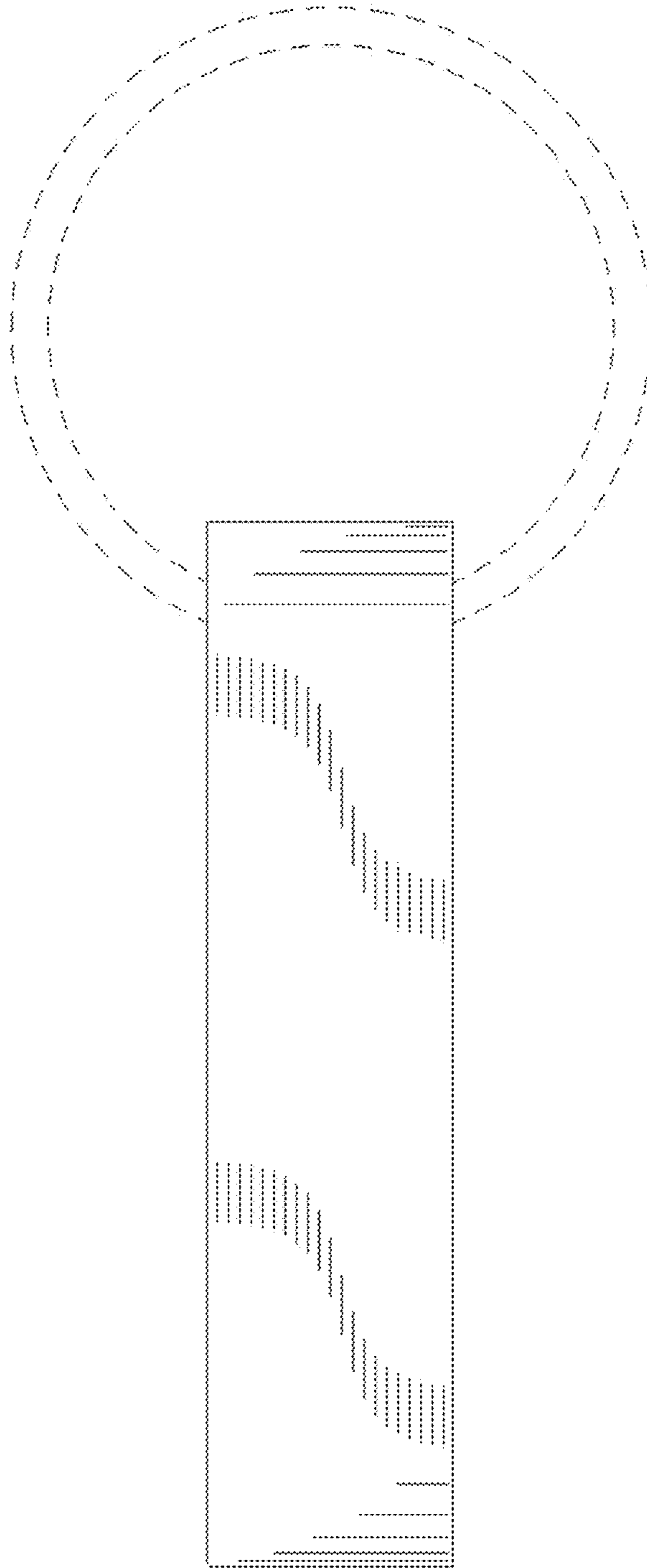
1.1



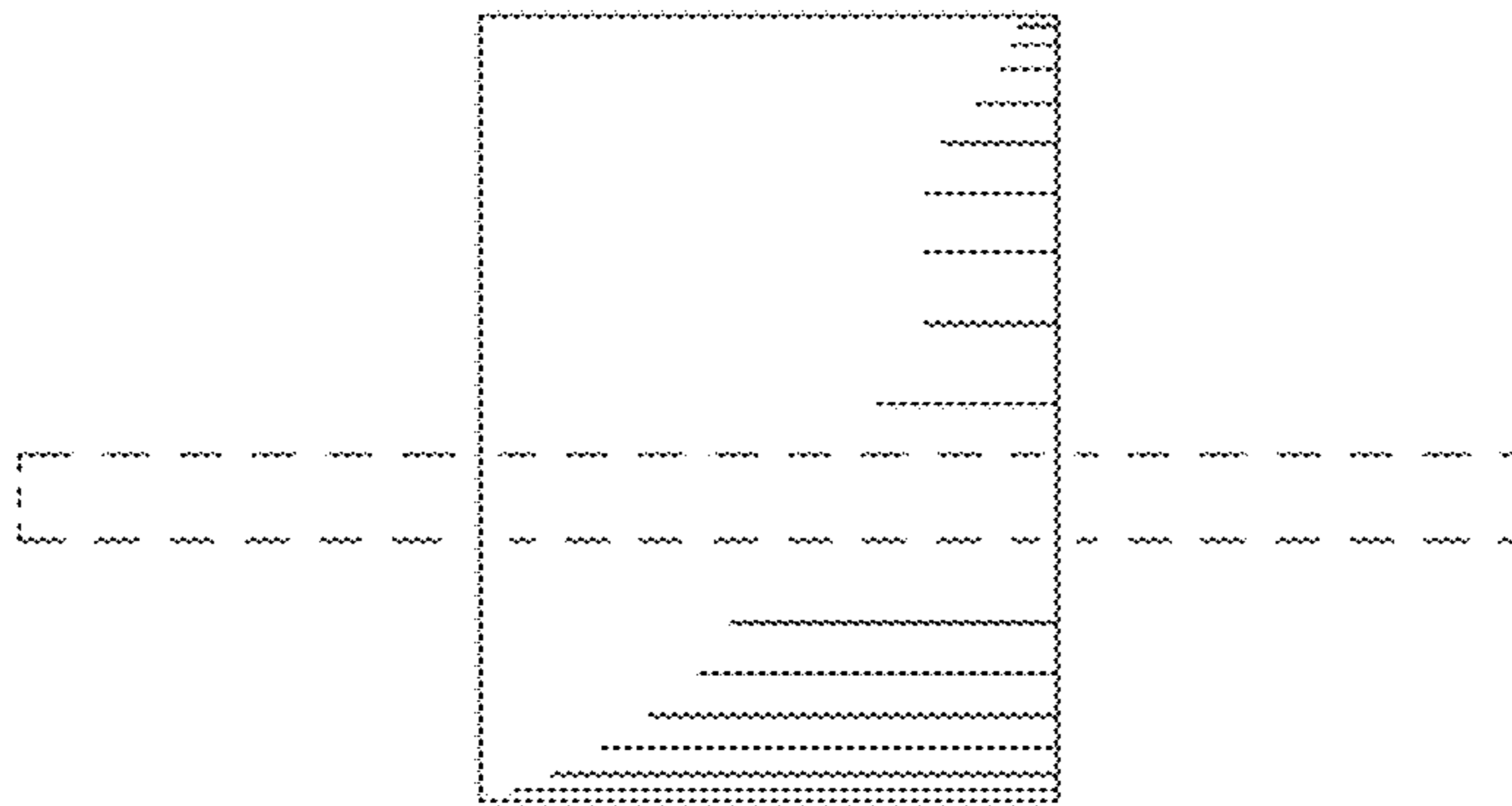
1.2



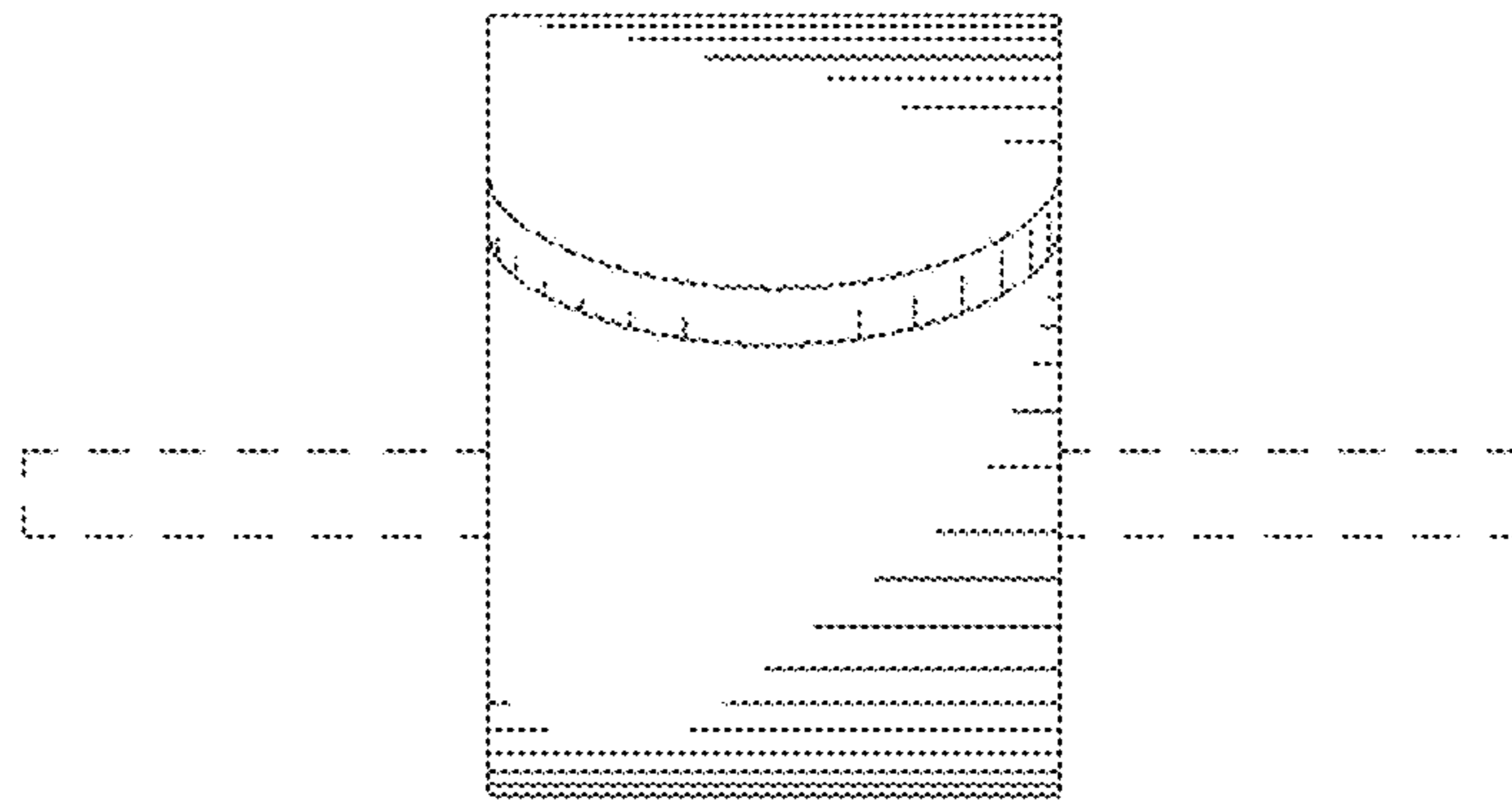
1.3



1.4



1.5



1.6

