



US00D844305S

(12) **United States Design Patent** (10) **Patent No.:** **US D844,305 S**  
**Gavrieli et al.** (45) **Date of Patent:** **\*\* Apr. 2, 2019**

(54) **SINGLE-SOLE SHOE WITH BLUE STRIPE AND BLUE SOLE**

(71) Applicant: **Gavrieli Brands, LLC**, Beverly Hills, CA (US)

(72) Inventors: **Kfir Gavrieli**, Los Angeles, CA (US); **Dikla Gavrieli**, Los Angeles, CA (US)

(73) Assignee: **Gavrieli Brands LLC**, Beverly Hills, CA (US)

(\*\*) Term: **15 Years**

(21) Appl. No.: **29/590,225**

(22) Filed: **Jan. 9, 2017**

**Related U.S. Application Data**

(63) Continuation of application No. 29/493,444, filed on Jun. 10, 2014, now Pat. No. Des. 775,798.

(51) **LOC (11) Cl.** ..... **02-04**

(52) **U.S. Cl.**  
USPC ..... **D2/939**

(58) **Field of Classification Search**  
 USPC ..... D2/896, 900, 919-921, 925, 939, 947, D2/950, 969, 971; 36/1, 83, 8.1-8.3, 9 R, 36/45-58, 104, 108, 76 R  
 CPC ..... A43B 21/00; A43B 21/02; A43B 21/06; A43B 9/14; A43B 1/0045; A43B 13/10; A43B 13/12; A43B 23/06; A43B 23/07; A43B 1/0036; A43B 5/12

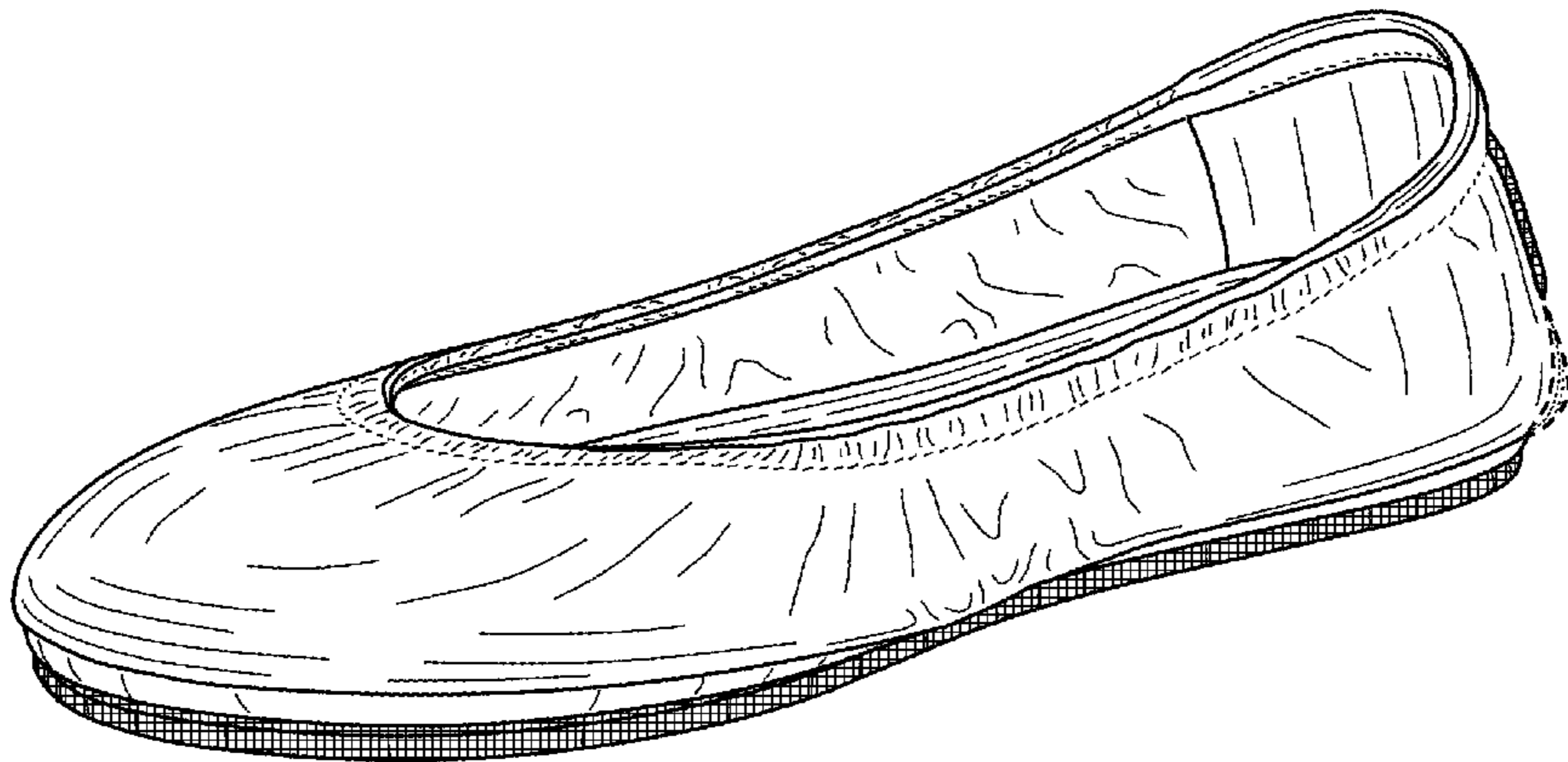
See application file for complete search history.

(56) **References Cited**

**U.S. PATENT DOCUMENTS**

249,086 A 11/1881 Pienovi  
 773,850 A 11/1904 Cooper et al.  
 830,941 A 9/1906 Walden  
 1,208,209 A 12/1916 Prince  
 1,214,666 A 2/1917 Ford  
 1,519,009 A 12/1924 Reina  
 1,525,848 A \* 2/1925 Bonaventure ..... A43B 5/12  
 36/113

1,587,377 A 6/1926 Grosjean  
 1,650,466 A 11/1927 Righter  
 2,224,590 A 12/1940 Boivin  
 2,268,777 A 1/1942 Scholl  
 D133,819 S \* 9/1942 Harris ..... D2/939  
 D135,791 S 6/1943 Beebe  
 2,323,563 A 7/1943 Nugent  
 2,342,882 A 2/1944 Meltzer  
 D141,871 S 7/1945 Braun  
 2,383,585 A 8/1945 Bindner  
 D149,685 S \* 5/1948 Sandler ..... D2/935  
 D150,729 S \* 8/1948 Sandler ..... D2/923  
 D166,090 S \* 3/1952 Maling ..... D2/897  
 2,772,488 A 12/1956 Meltzer  
 2,904,814 A 9/1959 Scholl  
 3,148,378 A 9/1964 Tibbitts  
 D200,897 S \* 4/1965 Mitchell ..... D2/919  
 D220,464 S 4/1971 Hayoshi  
 D247,396 S \* 3/1978 Schlerth ..... D2/939  
 4,412,393 A 11/1983 Terlizzi, Jr. et al.  
 D275,525 S 9/1984 Nakao  
 4,674,206 A 6/1987 Lyden  
 D295,692 S \* 5/1988 Zuidema ..... D2/950  
 D300,085 S 3/1989 Ito et al.  
 RE33,018 E 8/1989 Ostrander  
 4,899,412 A 2/1990 Ganon  
 D316,773 S 5/1991 Valle  
 5,012,541 A 5/1991 Ganon  
 D339,669 S \* 9/1993 Miller ..... D2/919  
 5,282,326 A 2/1994 Schroer, Jr. et al.  
 5,421,050 A 6/1995 Laganas  
 5,699,629 A 12/1997 Munschy  
 5,746,014 A 5/1998 Tanemoto  
 D420,785 S 2/2000 Perez  
 6,055,745 A 5/2000 Endoh  
 6,076,284 A 6/2000 Terlizzi  
 6,189,239 B1 2/2001 Gasparovic et al.  
 6,338,207 B1 1/2002 Chang  
 D457,292 S \* 5/2002 Sessa ..... D2/949  
 D461,947 S 8/2002 Merceron  
 D476,798 S 7/2003 Reynolds et al.  
 6,588,124 B2 7/2003 Morrone  
 D498,041 S 11/2004 McClaskie  
 D500,191 S \* 12/2004 Belley ..... D2/969  
 D501,706 S 2/2005 McClaskie  
 6,857,203 B2 2/2005 Minden  
 6,895,693 B2 5/2005 Baruck  
 6,978,557 B2 12/2005 Lee  
 7,032,327 B1 4/2006 Tartaglia et al.  
 7,036,244 B1 5/2006 Finch  
 D527,513 S 9/2006 Della Valle  
 D529,513 S \* 10/2006 Aketa ..... D15/5  
 D531,790 S 11/2006 Wurzburg



D534,341 S *	1/2007	Choi .....	D2/896
D542,513 S	5/2007	Amado et al.	
D556,990 S	12/2007	Cabados	
7,337,558 B2	3/2008	Terlizzi et al.	
D567,485 S	4/2008	James	
D570,488 S	6/2008	Kirksey et al.	
D571,084 S	6/2008	Comeau	
D571,548 S	6/2008	Seamans	
D571,989 S	7/2008	Siegal	
D580,640 S	11/2008	Wurzburg	
D582,638 S	12/2008	Ringholz	
7,496,982 B2	3/2009	Clark et al.	
7,506,459 B2	3/2009	Grisoni et al.	
D591,031 S	4/2009	Cofinco	
D593,295 S *	6/2009	Belley .....	D2/969
D593,297 S *	6/2009	Belley .....	D2/969
D593,307 S *	6/2009	Belley .....	D2/969
D599,093 S *	9/2009	Issler .....	D2/925
D604,030 S	11/2009	Wilson	
D607,194 S	1/2010	Zagula	
D610,332 S	2/2010	Raichle	
D610,785 S	3/2010	Smith	
D612,140 S	3/2010	Moon	
D612,141 S	3/2010	Moon	
7,694,435 B1	4/2010	Kiser et al.	
D615,737 S	5/2010	Feller	
7,735,244 B1	6/2010	Ameche	
7,743,530 B2	6/2010	Truelson	
D618,891 S	7/2010	McClaskie	
7,757,408 B2	7/2010	McClaskie	
D630,829 S	1/2011	Weisner	
D632,881 S	2/2011	Rosenberg	
7,926,203 B2	4/2011	Wilkenfeld	
7,966,747 B2	6/2011	Wilkenfeld et al.	
D640,861 S	7/2011	Wilkenfeld	
8,020,320 B2	9/2011	Gillespie	
8,127,468 B2	3/2012	Morgan	
D657,543 S	4/2012	Bove	
D659,960 S	5/2012	Bizzo	
8,230,619 B2	7/2012	Salvatelli	
D664,755 S	8/2012	Gavrieli et al.	
D665,157 S	8/2012	Wu	
8,240,067 B2	8/2012	Sussmann	
8,245,420 B2	8/2012	Wilson	
D668,027 S	10/2012	Millieret	
D668,438 S	10/2012	Millieret	
D668,847 S *	10/2012	Gavrieli .....	D2/925
D668,848 S *	10/2012	Gavrieli .....	D2/925
D668,849 S	10/2012	Pozzi	
D668,850 S	10/2012	Pozzi	
D672,542 S	12/2012	Gray et al.	
D676,634 S *	2/2013	Gavrieli .....	D2/925
D681,927 S *	5/2013	Gavrieli .....	D2/925
D681,928 S *	5/2013	Gavrieli .....	D2/925
D681,929 S *	5/2013	Gavrieli .....	D2/925
D683,936 S *	6/2013	Gavrieli .....	D2/925
8,468,723 B2	6/2013	Malka-Harari	
8,510,975 B2	8/2013	Krikelis	
D688,853 S *	9/2013	Gavrieli .....	D2/925
D688,854 S *	9/2013	Gavrieli .....	D2/925
D688,855 S *	9/2013	Gavrieli .....	D2/925
D689,270 S *	9/2013	Gavrieli .....	D2/925
D689,271 S *	9/2013	Gavrieli .....	D2/925
D689,272 S *	9/2013	Gavrieli .....	D2/925
D690,914 S *	10/2013	Gavrieli .....	D2/925
D690,915 S *	10/2013	Gavrieli .....	D2/925
D696,500 S	12/2013	Hunt	
D699,424 S	2/2014	Hamm	
8,661,714 B2	3/2014	Sussman	
8,973,287 B2	3/2015	Shibata	
2002/0078591 A1	6/2002	Morrone	
2002/0129519 A1	9/2002	Cahan	
2003/0070319 A1	4/2003	Minden	
2003/0121176 A1	7/2003	Baruck	
2004/0025377 A1	2/2004	Brannon	
2005/0022421 A1	2/2005	Bruckner	
2005/0115115 A1	6/2005	Lacey	
2005/0217148 A1	10/2005	Connolly et al.	
2005/0262734 A1	12/2005	Cheng	

2006/0086005 A1	4/2006	Yerian
2006/0156576 A1	7/2006	Sloan
2007/0074424 A1	4/2007	Lin
2007/0204482 A1	9/2007	Gibson-Collinson
2007/0204483 A1	9/2007	Kirsch et al.
2008/0052964 A1	3/2008	Taylor
2008/0086912 A1	4/2008	Wilkenfeld
2008/0110059 A1	5/2008	Kuramoto et al.
2009/0019732 A1	1/2009	Sussmann
2009/0193685 A1	8/2009	Wilson
2009/0205222 A1	8/2009	Mclinden
2009/0272009 A1	11/2009	Weisner et al.
2010/0011625 A1	1/2010	Percival
2010/0018080 A1	1/2010	Smith
2010/0050469 A1	3/2010	Chen
2010/0095557 A1	4/2010	Jarvis
2010/0115793 A1	5/2010	Kraisosky
2010/0122475 A1	5/2010	Purrington
2010/0146822 A1	6/2010	MacGregor
2010/0212186 A1	8/2010	Cheng
2010/0275462 A1	11/2010	Pucci
2010/0281713 A1	11/2010	Pantazes
2015/0089843 A1	4/2015	Gavrieli

FOREIGN PATENT DOCUMENTS

DE	20	2006	00023	U1	5/2007
GB			2443937	A	5/2008
GB			2 446 205	A	8/2008
TW			D119165		10/2007

OTHER PUBLICATIONS

Examination Report for AU 341324, 3 pgs., dated Oct. 24, 2012.  
 Letter from TMI and Associates with Office Action, 2 pgs, dated Sep. 19, 2012 <http://www.payless.com/store/?&TLC=Womens&SLC=WomensNewArrivals&BLC=WomensNewArrivalsNewArrivals&With+Regular&ItemCode=60131&LotNumber=062642&Type=Adult&Popularity=637&Descriptvein>.  
 Taiwanese Office Action for TW 101300726, 10 pgs., dated Sep. 6, 2012.  
 “The Love List, Tieks by Gavrieli—Foldable Ballet Flats,” <http://thelovelist-carly.blogspot.com.au/2010/09/tieks-by-gavrieli-foldable-ballet.html>, 3 pgs., Sep. 12, 2010.  
 “Tieks by Gavrieli,” <http://tieks.com>, 1 pg., retrieved Mar. 13, 2013 from URL.  
 “Try It Mummy!, Tieks by Gavrieli,” <http://tryitmummy.blogspot.com.au/2010/12/tieks-by-gavrieli.html>, 4 pgs., Dec. 9, 2010.  
 “Wearability—Real People Style, What came first, the City Flat or the Tieks,” <http://wearability.posterous.com/what-came-first-the-city-flat-or-the-tieks>, 4 pgs., Aug. 29, 2010.  
 “The Ballet Flat . . . Reinvented; Ballet Flats . . . with a Bonus; Step Into Tieks; Going Places? Take Tieks,” <http://web.archive.org/web/2010052004346/http://www.tieks.com/>; 4 pgs., May 24, 2010.  
 “Tieks—Comfortable designer flats you can fit in your purse and wear all day, every day,” <http://web.archive.org/web/20110731151555/http://tieks.com/>; 6 pgs., Jul. 31, 2011.  
 “58th Annual Emmy Awards,” [http://spoonsforksandfashion.blogspot.com/2006\\_08\\_01\\_archive.html](http://spoonsforksandfashion.blogspot.com/2006_08_01_archive.html), depicting Nine West flats, 11 pgs., Aug. 1, 2006.  
 Pictures of Nine West flats sold in 2006, 3 pgs.  
 “I Love a Good Ballet Flat!,” <http://dressupfiles.com/i-love-a-good-ballet-flat>, depicting Sue London flats, 4 pgs., Sep. 3, 2010.  
 Pictures of Sue London flats sold in 2010, 2 pgs.  
 “Miss Cathie Reviews: The Yosi Samra Foldable Ballet Flat . . .,” <http://www.misscathie.com/2010/01/miss-cathie-reviews-the-yosi-samra-foldable-ballet-flat/>, depicting Yosi Samra flats, 7 pgs., Jan. 2010.  
 Pictures of Yosi Samra flats sold in 2010, 2 pgs.  
 “Goodbye two thousand ten,” [http://emmajoyrussell.blogspot.com/2010\\_12\\_01\\_archive.html](http://emmajoyrussell.blogspot.com/2010_12_01_archive.html), depicting Gap flats, 39 pgs., Dec. 1, 2010.  
 Pictures of Gap flats available for sale in 2010, 9 pgs.

“Our newest design of folding flats—Pink,” <https://fitinclouds.wordpress.com/2010/05/16/our-newest-design-of-folding-flats-pink/>, depicting Fit in Clouds flats, 1 pg., May 16, 2010.

“Fit in Clouds Satin Folding Shoes,” <http://www.godhousekeeping.com/product-reviews/clothing/best-ballet-flats/fit-in-clouds-satin-foldable-ballet-flats>, depicting Fit in Clouds flats, 1 pg., Aug. 2013. Pictures of Fit in Clouds flats available for sale in 2011, 4 pgs.

“Shoes for Standing,” <https://truthinshoes.wordpress.com/2008/07/>, depicting Sam & Libby flats, 2 pgs., Jul. 31, 2008.

“Target Designer Collaboration: Announcing Sam & Libby Shoes for Target,” <http://www.therecessionista.com/2012/11/target-designer-collaboration-announcing-sam-libby-shoes-for-target.html>, depicting Sam & Libby flats, 1 pg., Nov. 26, 2012. Pictures of Sam & Libby flats available for purchase in 2011, 5 pgs.

“Save your soles with Citisoles ballet flats,” <http://glamazondiaries.com/2009/07/save-your-soles-with-citisoles-ballet-flats>, depicting Citisoles flats, 3 pgs., Jul. 2009. Pictures of Citisoles flats available for purchase in 2009, 3 pgs.

“#16 Corso Como Delicious Pumps Review and Giveaway!,” <http://www.mommatoldmeblog.com/2011/01/16-corso-como-delicious-pumps-review.html>, depicting Corso Como flats, 8 pgs., Jan. 16, 2011. Pictures of Corso Como flats available for sale in 2011, 3 pgs.

“Jil-sander-navy-lead-ballet-flats-product . . .,” [www.ebay.com](http://www.ebay.com), depicting Jil Sander flats, 4 pgs., Nov. 2013. Pictures of Jil Sander flats available for sale in 2011, 3 pgs.

“Spare Soles: Shoes That Roll-up & Fold-up,” <http://herpackinglist.com/2011/01/spare-soles-shoes/>, depicting Spare Soles flats, 2 pgs., Jan. 2011. Pictures of Spare Soles flats available for sale in 2011, 5 pgs.

The Original Rollable, Foldable ballet flats with matching wristlet—Spare Soles, <http://herpackinglist.com/2011/01/spare-soles-shoes/>, depicting Roll-Upz Spare Soles flats, 2 pgs., Jan. 2011. Pictures of Roll-Upz by Spare Soles flats available for sale in 2011, 6 pgs.

“The Cutest Blog, Preppy 50 and Loving Lilly, Ballet Flat Delight,” <http://preppy50andlovinglilly.blogspot.com/2011/02/ballet-flat-delight.html>, depicting Henri Bendel flats, 13 pgs., Feb. 19, 2011. Pictures of Henri Bendel flats available for sale in 2011, 4 pgs.

“Mumsnet by parents for parents,” [http://www.mumsnet.com/Talk/style\\_and\\_beauty/a1612000-Anyone-tried-Redfoot-Flatmates-foldable-ballet-pumps](http://www.mumsnet.com/Talk/style_and_beauty/a1612000-Anyone-tried-Redfoot-Flatmates-foldable-ballet-pumps), depicting Redfoot Flatmates flats, 1 pg, Nov. 14, 2012. Pictures of Redfoot Flatmates flats available for sale in 2011, 6 pgs.

“Amazon.com: Customer Reviews: Bloch London Women’s Lux Ballet Flat,” <http://www.amazon.com/Bloch-London-Womens-Ballet-Flat/product-reviews/B004LWP7YW>, depicting Bloch London flats, 4 pgs., Dec. 11, 2011. Pictures of Bloch London flats offered for sale in 2011, 11 pgs.

“h&m foldable leopard print flat,” <http://845shops.wordpress.com/2011/06/16/flats-for-7-bucks/Shoe1/>, depicting h&m flats, 3 pgs., Jun. 16, 2011. Pictures of h&m foldable flats offered for sale in 2011, 4 pgs.

“Seekyt—Juicy Couture Ballet Flats—Are They Worth the Money?,” <http://seekyt.com/juicy-couture-ballet-flats-are-they-worth-the-money/>, 14 pgs., Jun. 3, 2011. Pictures of Juicy Couture flats offered for sale in 2011, 3 pgs.

“Purse Flats,” <http://purseflats.wordpress.com>, depicting Purse Flats by Erica Wilson, 3 pgs., Jul. 12, 2012. Pictures of Purse Flats by Erica Wilson offered for sale in 2011, 6 pgs.

“Splash Page,” <http://web.archive.org/web/20100524004346/http://www.tieks.com/>, 4 pgs., May 24, 2010.

“Tieks by Gavrieli—Comfortable, designer flats you can fit in your purse and wear all day . . .,” <http://web.archive.org/web/20110202210649/http://www.tieks.com/>, 8 pgs., Feb. 2, 2011.

“Carolina M. M. Gonzalez > Tieks by Gavrieli,” [http://m2.facebook.com/Tieks?v=timeline&filter=2&timecutoff=1406427986&page=17&sectionLoadingID=m\\_timeline\\_loading\\_div\\_1293868799\\_1262332800\\_8\\_17&timeend=1293868799&timestart=1262332800&tm=AQDOvqhWQPN\\_Nbwm&refid=17](http://m2.facebook.com/Tieks?v=timeline&filter=2&timecutoff=1406427986&page=17&sectionLoadingID=m_timeline_loading_div_1293868799_1262332800_8_17&timeend=1293868799&timestart=1262332800&tm=AQDOvqhWQPN_Nbwm&refid=17), 1 pg. Jan 26, 2010.

“The Shoes Oprah Would Wear to Work (if She Had to Walk),” <http://www.inc.com/30under30/christina-desmarais/kfir-gavrieli-and-elram-gavrieli-founders-of-tieks.html>, 8 pgs., Jul. 2, 2012.

“Tieks by Gavrieli,” [http://m2.facebook.com/Tieks?v=timeline&filter=2&timecutoff=1406427986&page=14&sectionLoadingID=m\\_timeline\\_loading\\_div\\_1293868799\\_1262332800\\_8\\_14&timeend=1293868799&timestart=1262332800&tm=AQDOvqhWQPN\\_Nbwm&refid=17](http://m2.facebook.com/Tieks?v=timeline&filter=2&timecutoff=1406427986&page=14&sectionLoadingID=m_timeline_loading_div_1293868799_1262332800_8_14&timeend=1293868799&timestart=1262332800&tm=AQDOvqhWQPN_Nbwm&refid=17), 4 pgs., Jan. 26, 2010.

“Mighty Life List, Sensible Shoes,” <http://mightygirl.com/2010/08/24/sensible-shoes/>, 10 pgs., Aug. 24, 2010.

“Find! Tieks: Fab & sexy flats for fall,” <http://thefabmom.com/2013/08/29/find-tieks-fab-sexy-flats-for-fall/>, 3 pgs. Aug. 29, 2013.

“Step into Tieks,” <http://sliceofpink.typepad.com/blog/2010/09/tieks-1.html>, 5 pgs., Sep. 22, 2010.

“In Need of Flat-Soled Shoes,” <http://sliceofpink.typepad.com/blog/2010/09/tieks-1.html>, 7 pgs., Oct. 3, 2010.

“Say Hello to the Flat Shoes You Need for Fall . . . All 88 of Them!”, Picture of Adam Tucker Shoe/Slipper, <https://www.facebook.com/search/top/?q=adam%20Shoes%20slipper>, last accessed Oct. 28, 2016, dated Oct. 1, 2013, 1 page.

Picture of Adam Tucker Rainbow Shoes, <https://www.facebook.com/search/top/?q=adam%20shoes%20rainbow>, last accessed Oct. 28, 2016, dated Aug. 14, 2013, 1 page.

\* cited by examiner

*Primary Examiner* — Dominic V Simone  
(74) *Attorney, Agent, or Firm* — Morgan, Lewis & Bockius LLP

## (57) CLAIM

The ornamental design for a single-sole shoe with blue stripe and blue sole, as shown and described.

## DESCRIPTION

FIG. 1 is a perspective view of our new design of a single-sole shoe with blue stripe and blue sole, where the blue portions are indicated using a cross-hatched pattern to indicate the blue color Pantone 808, Pantone 3258, Pantone 3262, Pantone 3265, Pantone 7473, Pantone 3242, Pantone 3245, Pantone 3248, Pantone 3252, Pantone 3255, Pantone 3268, Pantone 3272, Pantone 3278, Pantone 2905, Pantone 2915, Pantone 2925, Pantone 2935, Pantone 2945, Pantone 2955, Pantone 2965, Pantone 2975, Pantone 2985, Pantone 2995, any one of Pantone PMS 7453C-Pantone PMS 7465C, any one of Pantone PMS 7467C-Pantone PMC 7472C, any one of Pantone PMS 277-Pantone PMS 314, any one of Pantone PMS 317-Pantone PMS 320, any one of Pantone PMS 325-Pantone PMS 336, any one of Pantone PMS 628-Pantone PMS 662, any one of Pantone PMS 2702-Pantone PMS 2708, any one of Pantone PMS 2717-Pantone PMS 2718, Pantone PMS 2727, Pantone PMS 2728, Pantone PMS 2747, Pantone PMS 2748, Pantone PMS 2757, Pantone PMS 2758, Pantone PMS 2767, Pantone PMS 2768, any one of Pantone PMS 3005-Pantone PMS 3165, Pantone PMS 801, any one of Pantone PMS 5395-Pantone PMS 5435, any one of Pantone PMS 7471-Pantone PMS 7477, any one of Pantone PMS 7541-7547, any one of RAL 5000-RAL 5005, any one of RAL 5007-RAL 5015, or any one of RAL 5017-RAL 2026;

FIG. 2 is a first side view thereof;

FIG. 3 is a second side view thereof;

FIG. 4 is a top view thereof;

FIG. 5 is a bottom view thereof;

FIG. 6 is a front view thereof; and,

FIG. 7 is a back view thereof.

The broken lines illustrating the half moon patch and the channel on the blue sole in the above described Figures are for illustrative purposes only and form no part of the claimed design.

**1 Claim, 6 Drawing Sheets**

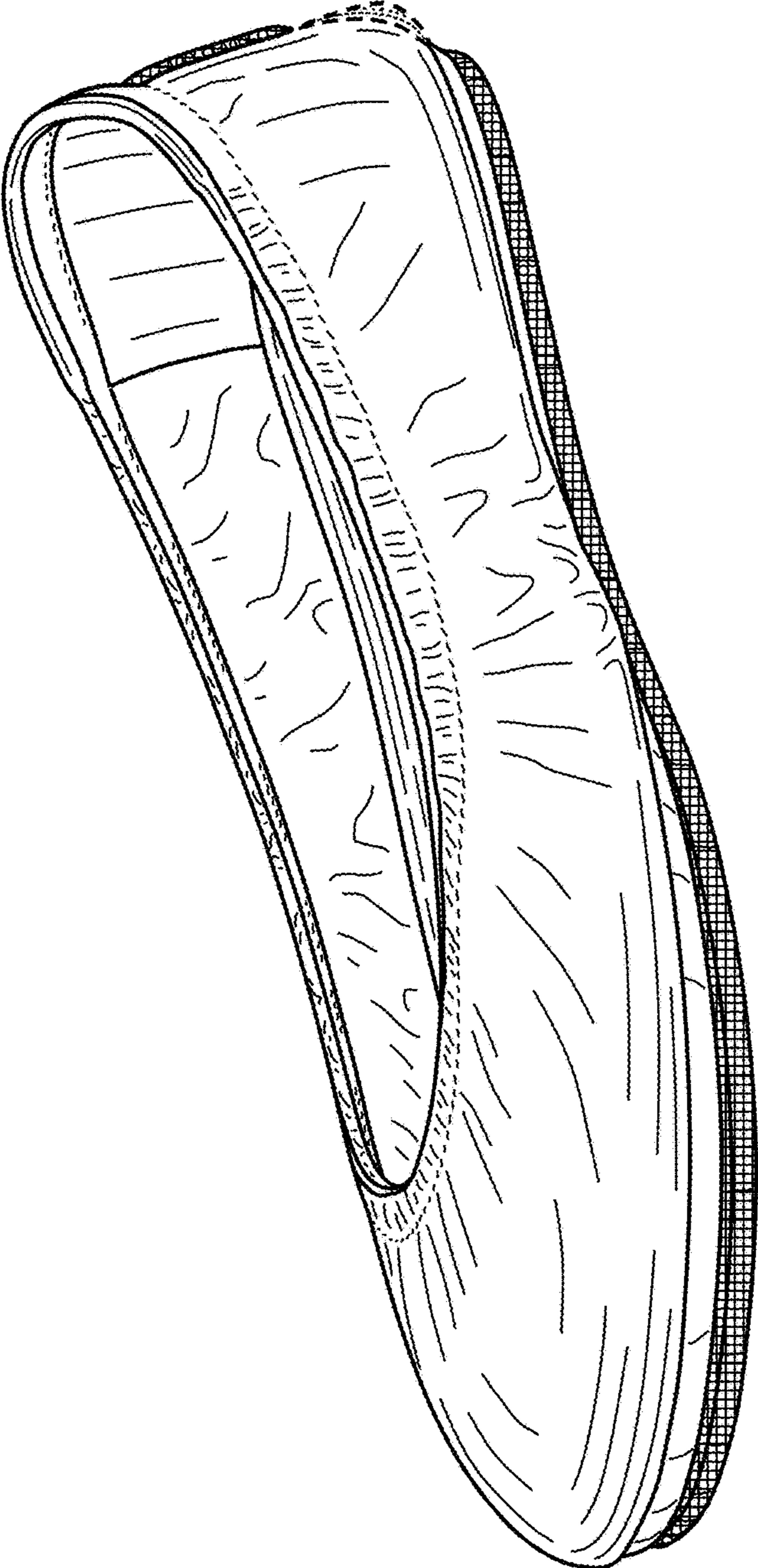


FIG. 1

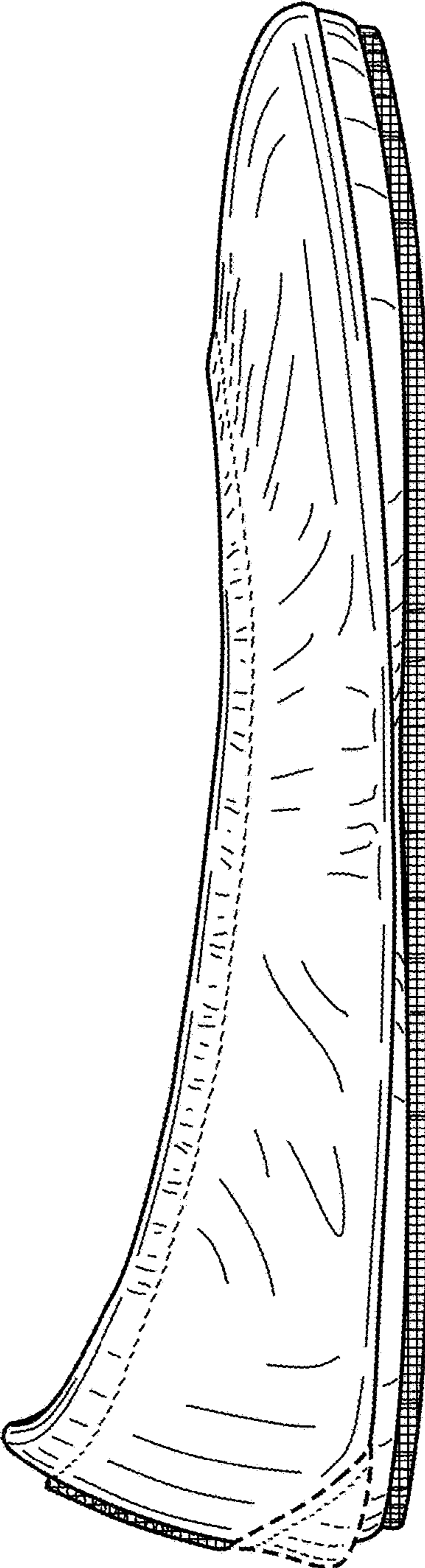


FIG. 2

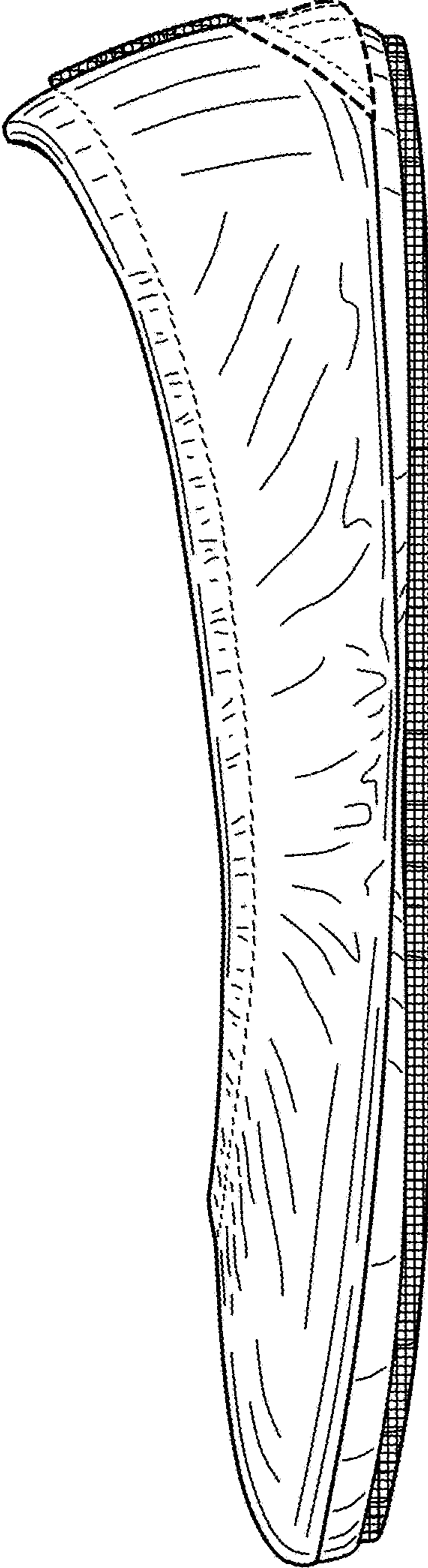


FIG. 3

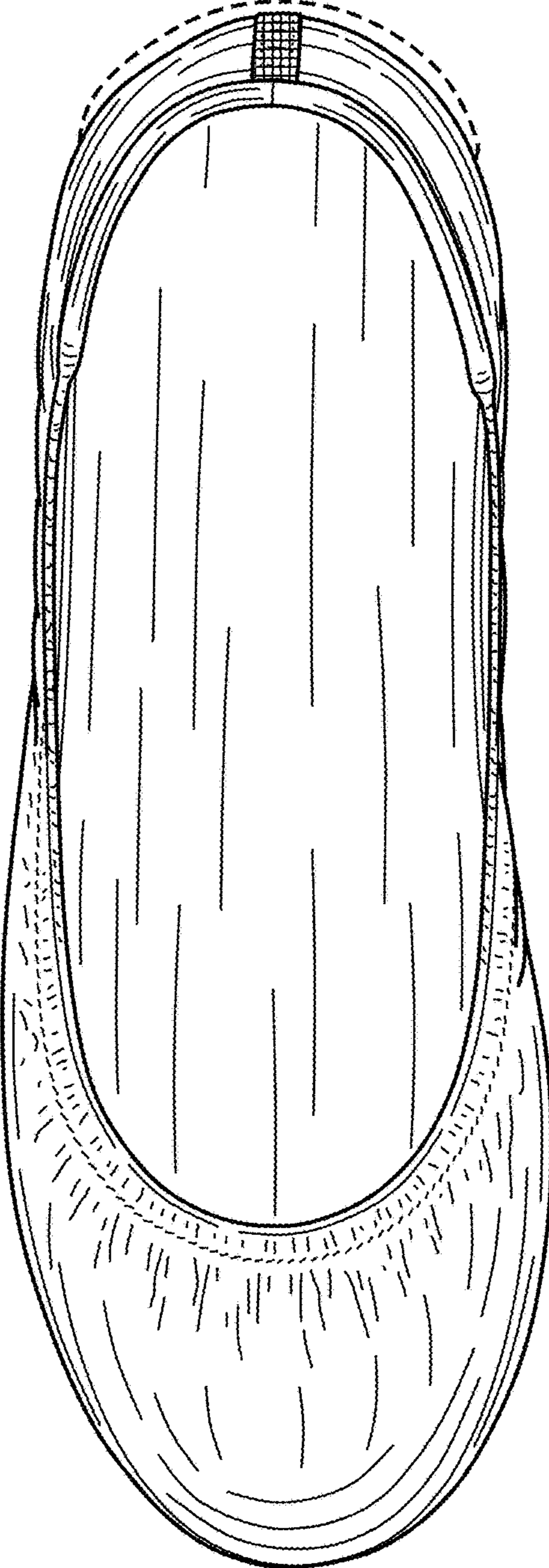


FIG. 4



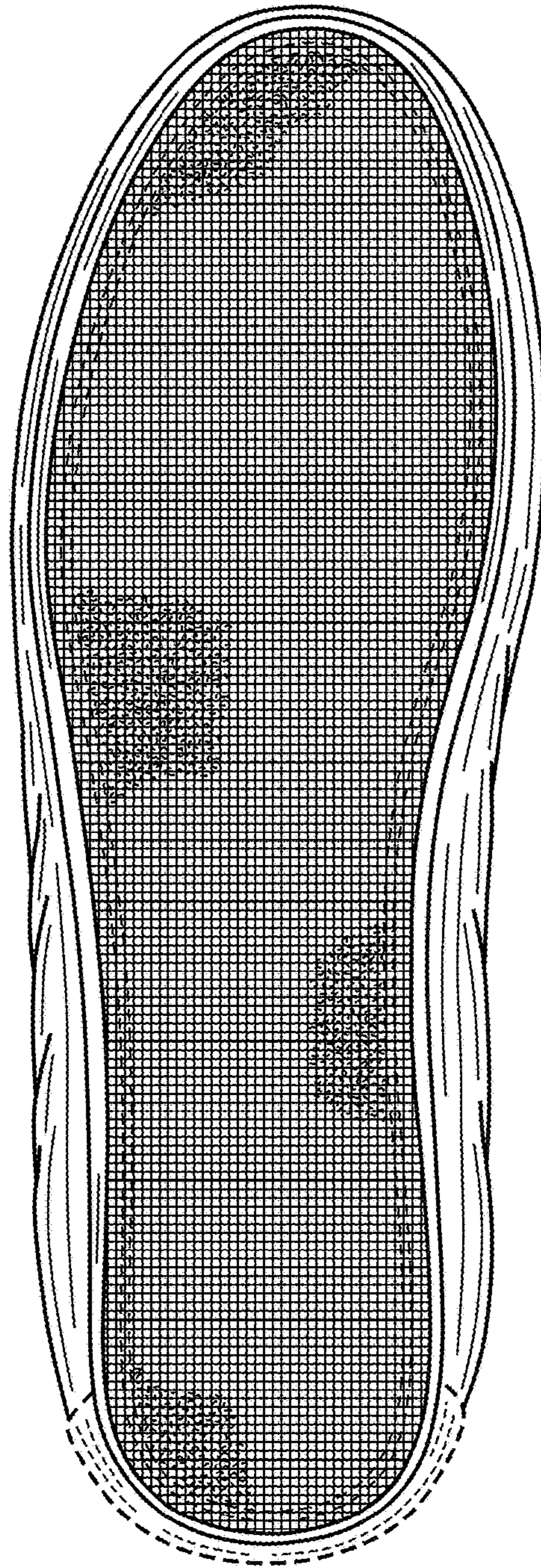


FIG. 5

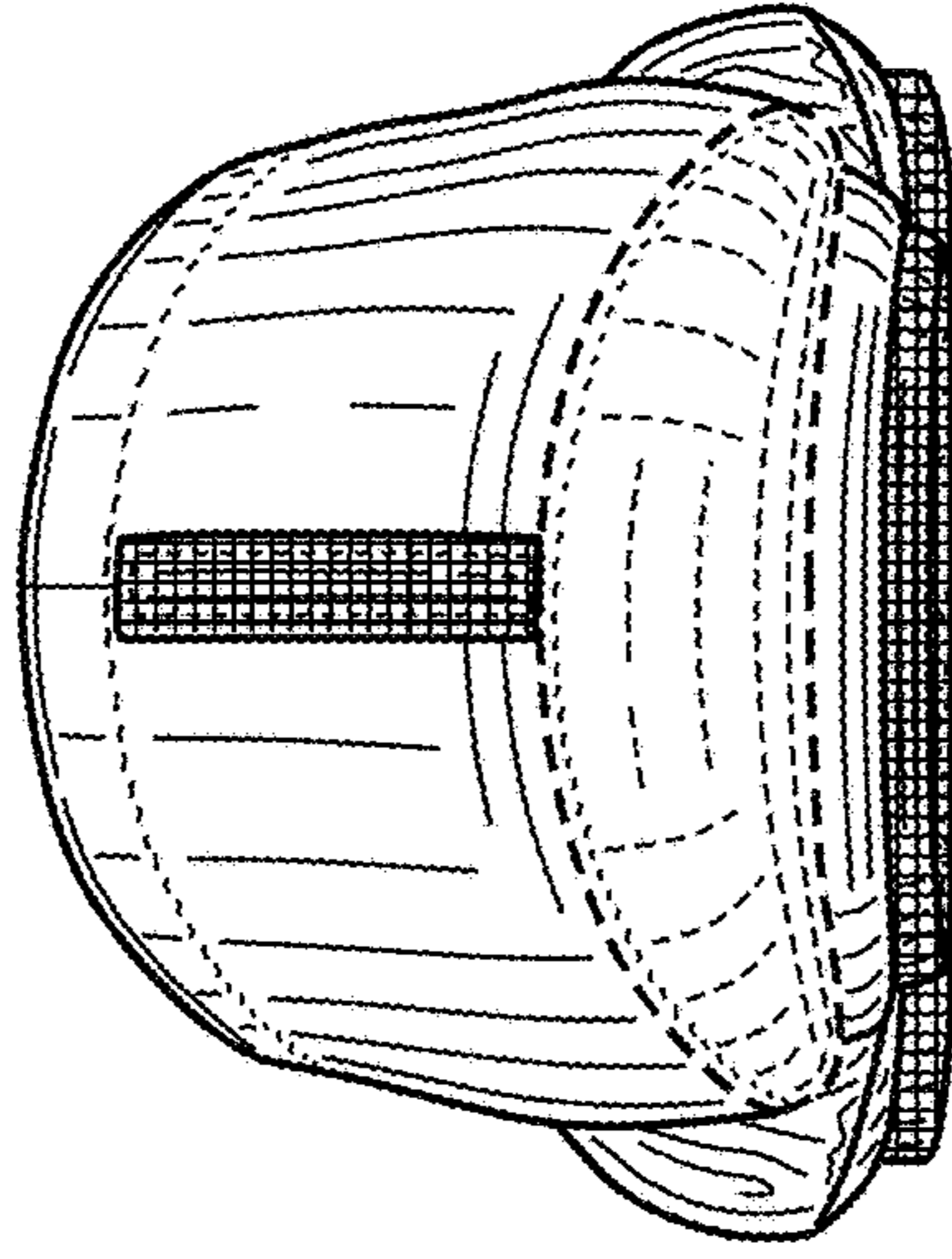


FIG. 7

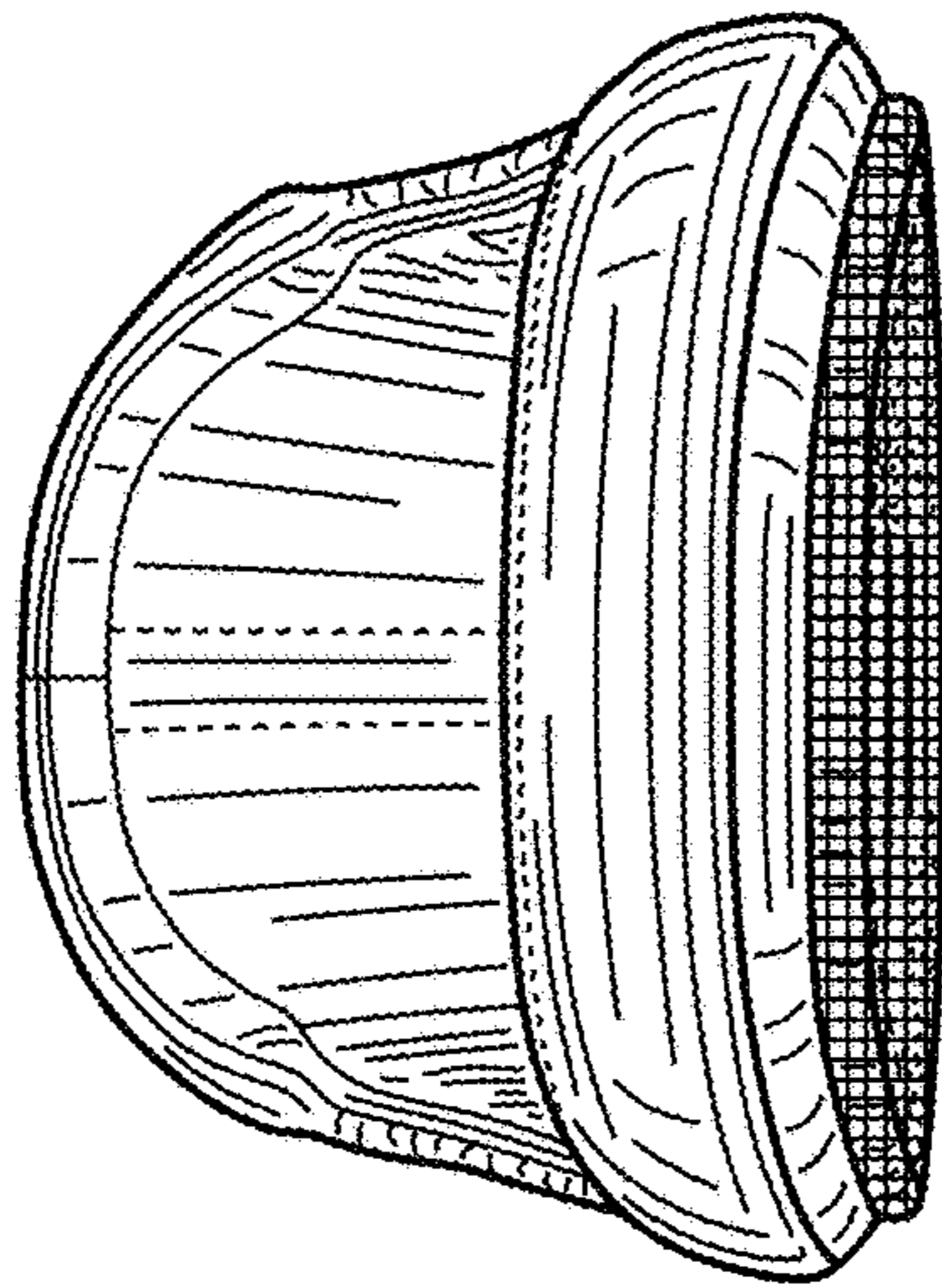


FIG. 6