



US00D844303S

(12) **United States Design Patent**
Romo

(10) **Patent No.:** **US D844,303 S**

(45) **Date of Patent:** **** Apr. 2, 2019**

(54) **STYLIZED BILL OF A CAP**

(71) Applicant: **Rosa Romo**, San Antonio, TX (US)

(72) Inventor: **Rosa Romo**, San Antonio, TX (US)

(**) Term: **15 Years**

(21) Appl. No.: **29/574,053**

(22) Filed: **Aug. 11, 2016**

(51) **LOC (11) Cl.** **02-03**

(52) **U.S. Cl.**
USPC **D2/893**

(58) **Field of Classification Search**
USPC D2/865, 866, 869, 870, 872, 876, 879,
D2/882, 883, 884, 891, 893, 895
CPC A42B 1/00; A42B 1/002; A42B 1/004;
A42B 1/006; A42B 1/02; A42B 1/062;
A42B 1/064; A42B 1/206; A42B 1/241;
A42C 1/06; A42C 5/00
See application file for complete search history.

(56) **References Cited**

U.S. PATENT DOCUMENTS

D568,029 S * 5/2008 Niles D2/882
D627,956 S * 11/2010 Scott, Jr. D2/893

D629,183 S * 12/2010 Adams D2/882
D675,404 S * 2/2013 Parker D2/882
D690,470 S * 9/2013 Manson D29/102
D693,544 S * 11/2013 Parker D2/893
2006/0143793 A1* 7/2006 Liao A42B 1/063
2/195.6
2016/0235150 A1* 8/2016 Karimi A42B 1/064

* cited by examiner

Primary Examiner — Karen E Eldridge Powers

Assistant Examiner — Jasmine Mlinarcik

(74) *Attorney, Agent, or Firm* — Eric A. Hinojosa

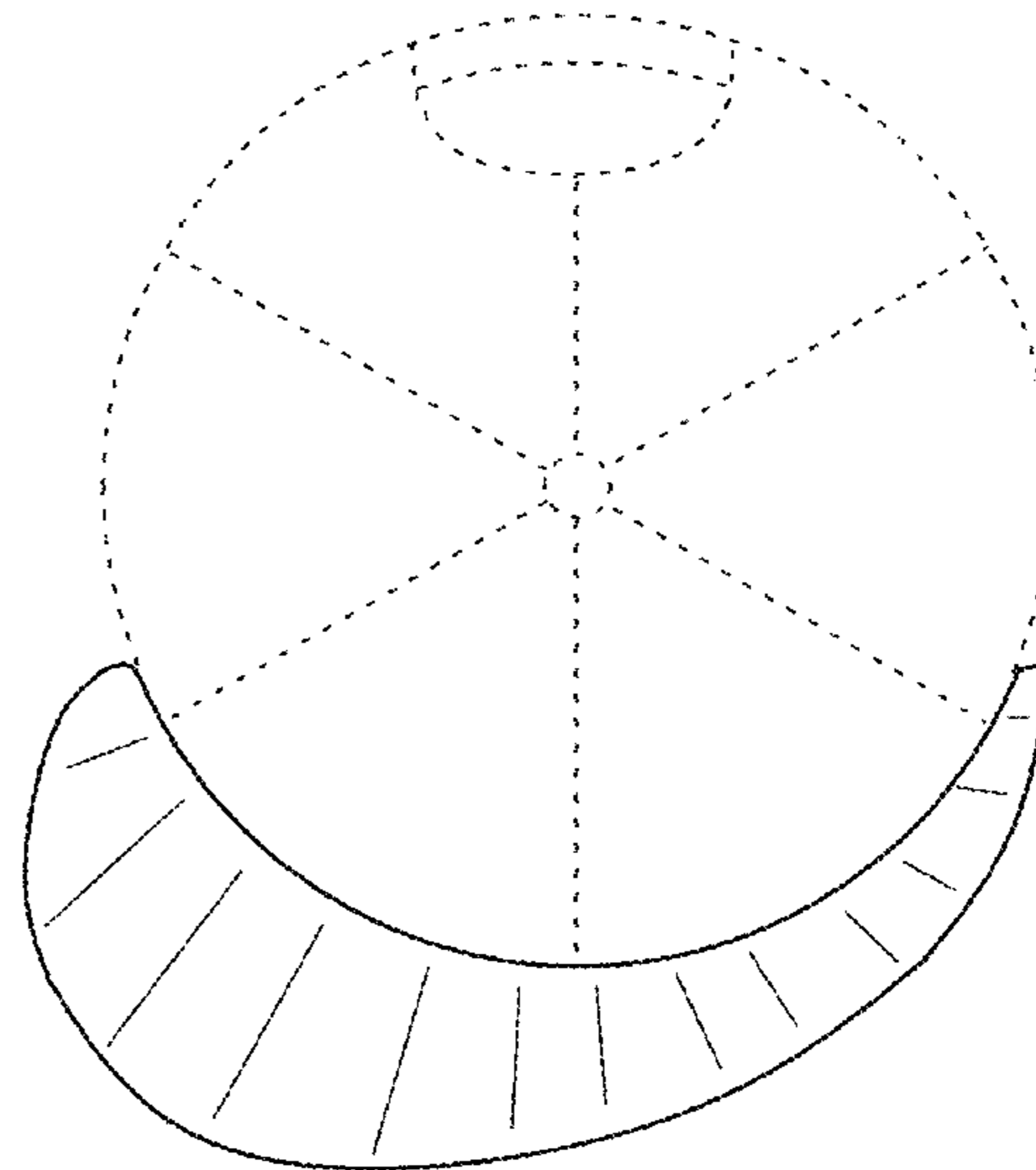
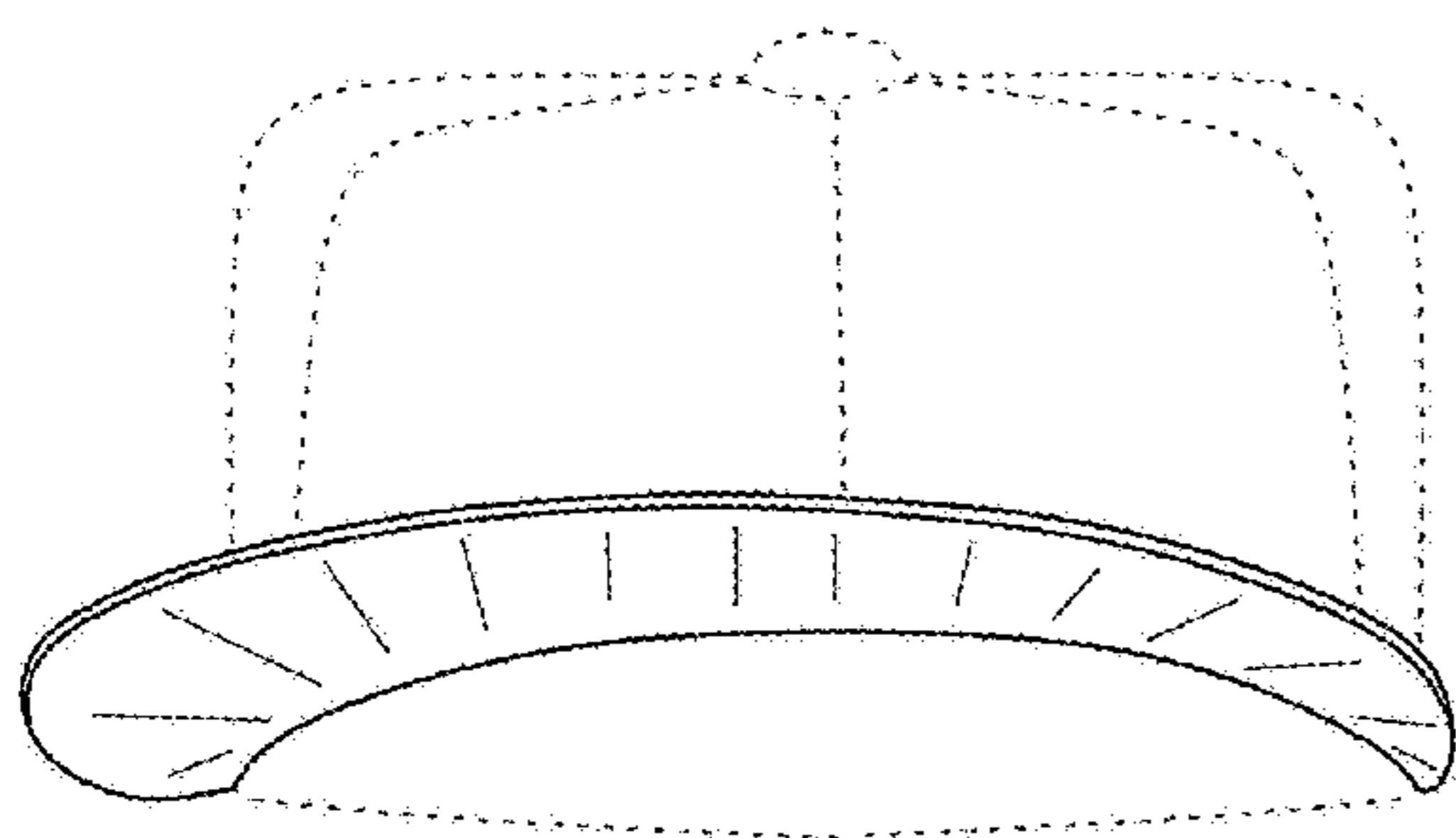
(57) **CLAIM**

I claim the ornamental design for a stylized bill of a cap, as shown and described.

DESCRIPTION

FIG. 1 is a front perspective view of a stylized bill of a cap; FIG. 2 is a top plan view thereof; FIG. 3 is a left side elevation view thereof; and, FIG. 4 is a right side elevation view thereof. The broken lines represent environmental structures that form no part of the claimed design.

1 Claim, 4 Drawing Sheets



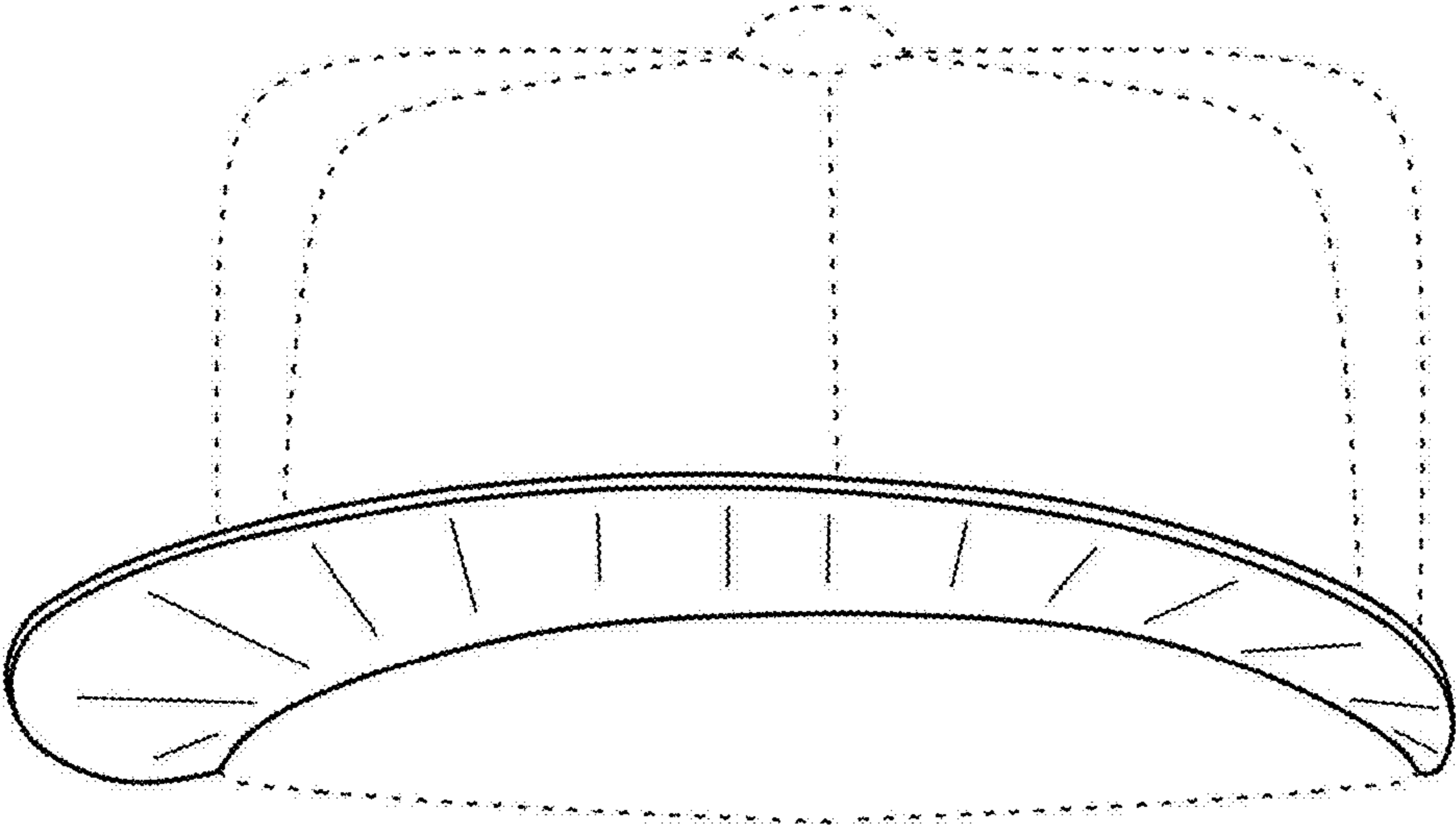


FIG. 1

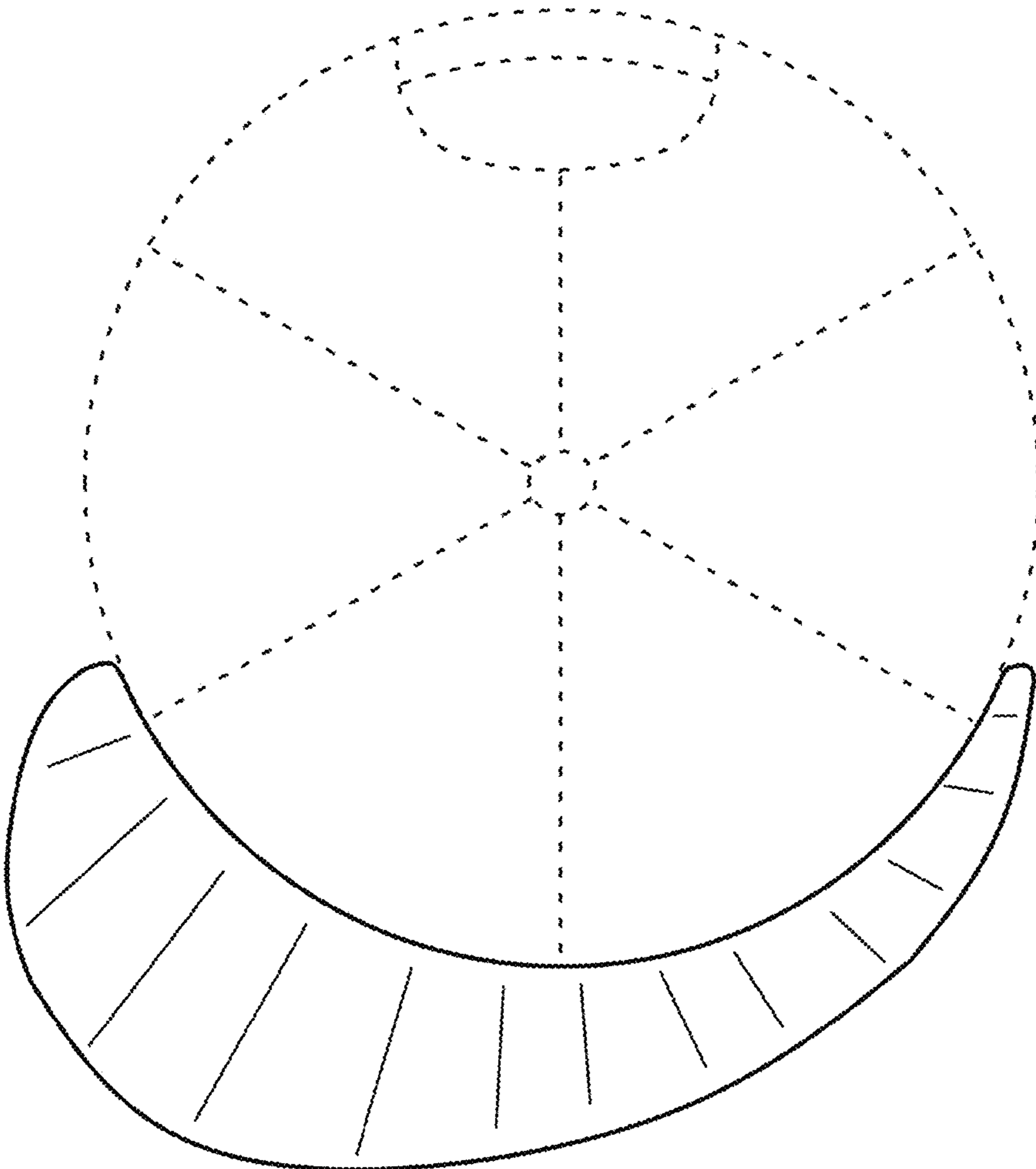


FIG. 2

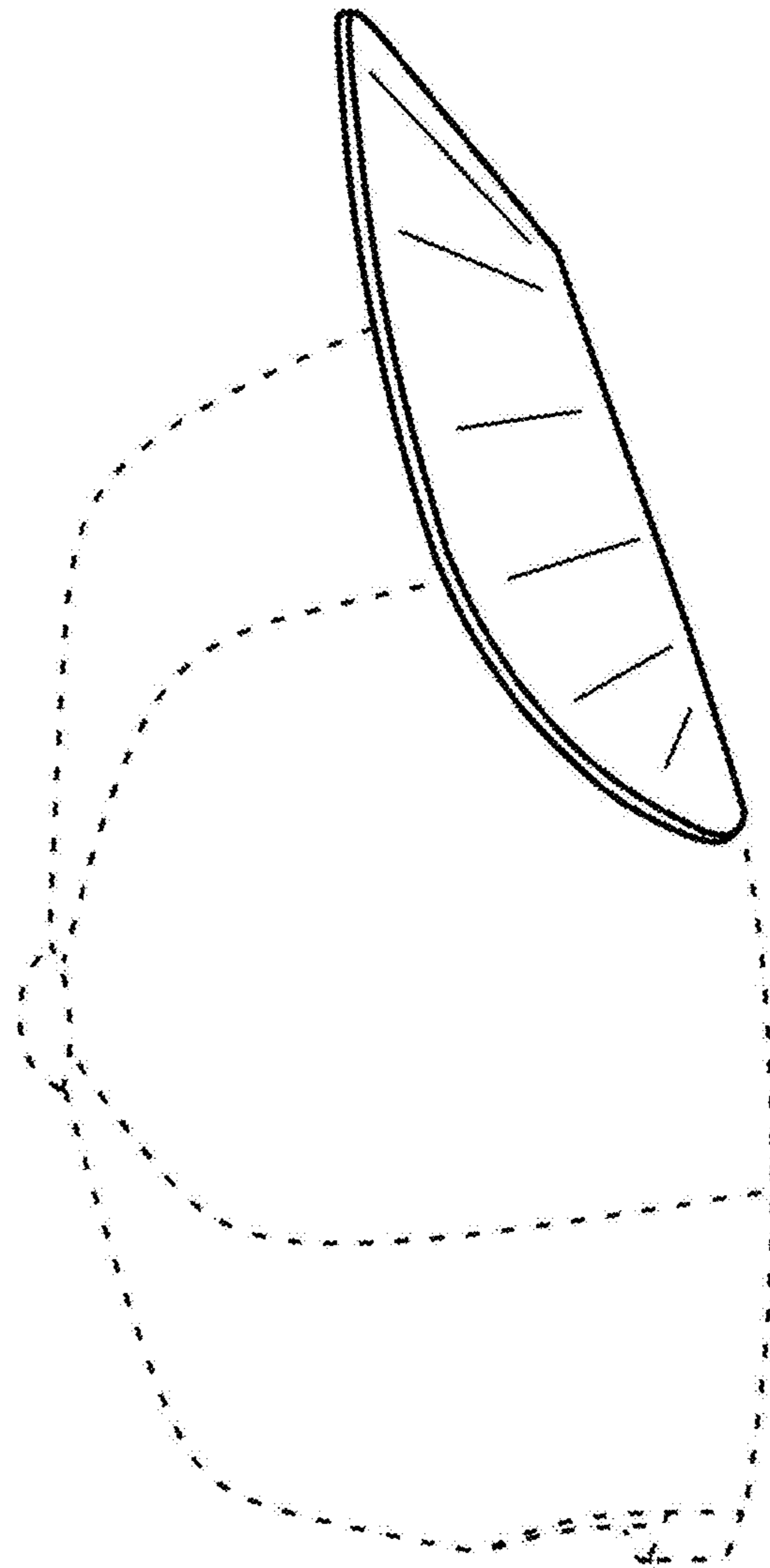


FIG. 3

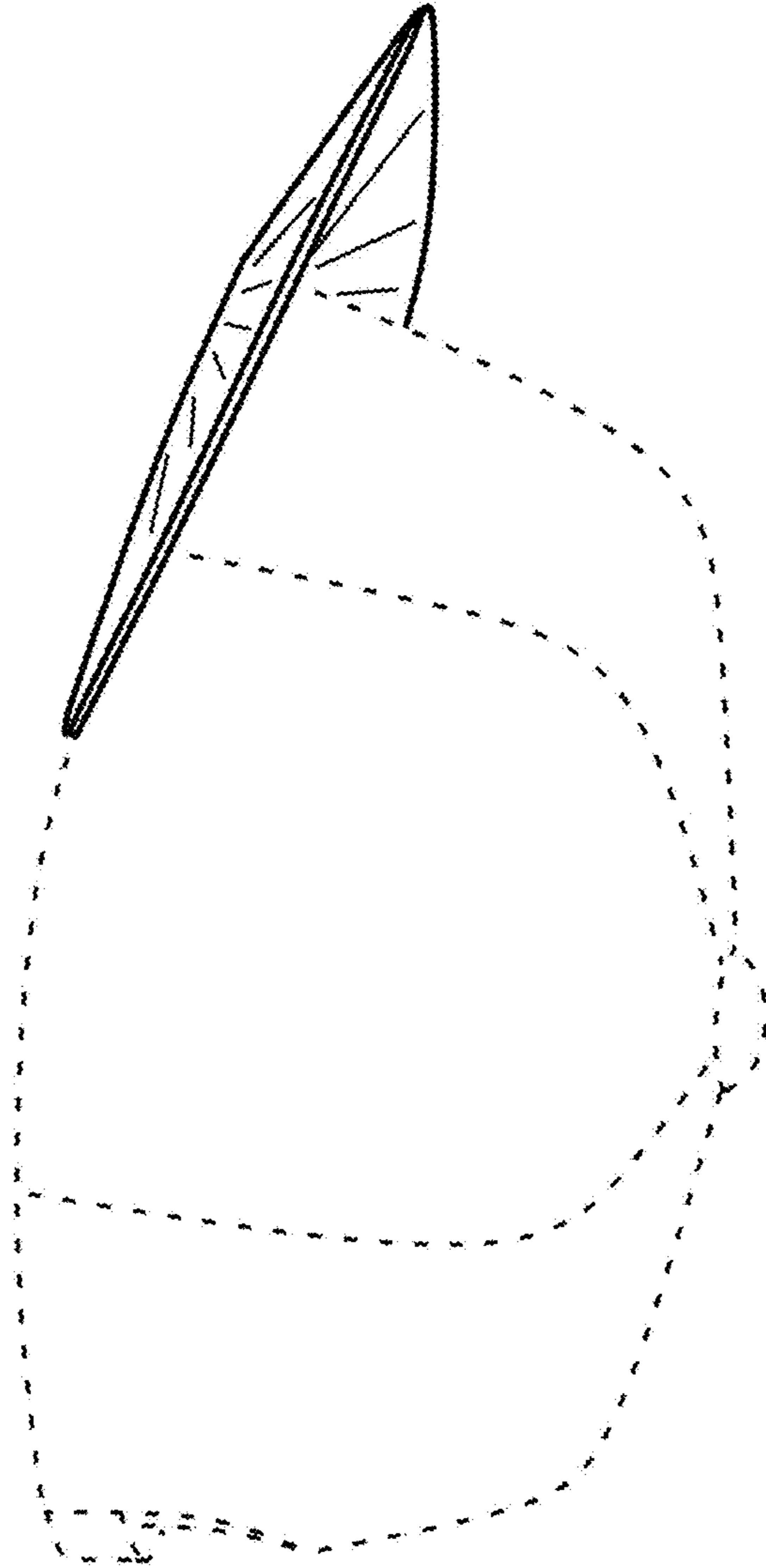


FIG. 4