



US00D844298S

(12) **United States Design Patent** (10) **Patent No.:** **US D844,298 S**
Pavalon et al. (45) **Date of Patent:** **** Apr. 2, 2019**

- (54) **MULTI-PURPOSE GARMENT**
- (71) Applicants: **Joan Pavalon**, Deerfield, IL (US);
Jocelyn Weinzimmer, Chicago, IL (US)
- (72) Inventors: **Joan Pavalon**, Deerfield, IL (US);
Jocelyn Weinzimmer, Chicago, IL (US)
- (73) Assignees: **Joan Pavalon**, Deerfield, IL (US);
Jocelyn Weinzimmer, Lake Forest, IL (US)

- 817,416 A 4/1906 Cather et al.
- 946,541 A 1/1910 Fletcher
- 1,346,448 A 7/1920 Ewing
- 1,577,630 A 3/1926 Yerger
- 1,596,158 A 8/1926 Dempsey
- 3,052,994 A 9/1926 Johnston
- 1,762,549 A 6/1930 Fisher

(Continued)

FOREIGN PATENT DOCUMENTS

- CN 101218995 7/2008
- WO WO2011012886 2/2011

OTHER PUBLICATIONS

One-page photograph with one-page description regarding prior art garment. This garment existed more than one year before the filing of this application (filed Jul. 2, 2014). The prior art garment was comprised entirely of knit material and had no seams or broders as shown in the present design.

(Continued)

Primary Examiner — Abraham Bahta

(74) *Attorney, Agent, or Firm* — McAndrews Held & Malloy, Ltd.

- (**) Term: **15 Years**
- (21) Appl. No.: **29/575,783**
- (22) Filed: **Aug. 29, 2016**

Related U.S. Application Data

- (63) Continuation of application No. 14/322,301, filed on Jul. 2, 2014, now abandoned, which is a continuation-in-part of application No. 29/495,640, filed on Jul. 2, 2014, now Pat. No. Des. 764,761.

(51) **LOC (11) Cl.** **02-02**

(52) **U.S. Cl.**
USPC **D2/826**

(58) **Field of Classification Search**

USPC D2/823-826, 718-720, 728, 500,
D2/600-606; 2/69, 46, 207, 88, 202,
2/204, 184, 172, 209.11, 127, 133;
D6/603, 608; D9/702-714, 414-415,
D9/426, 430-432

CPC ... A41D 3/02; A41D 3/00; A41D 3/08; A41D
23/00; A41D 15/04; A41D 2400/00

See application file for complete search history.

(56) **References Cited**

U.S. PATENT DOCUMENTS

- 701,445 A 6/1902 Wood
- 741,133 A 10/1903 Haynes

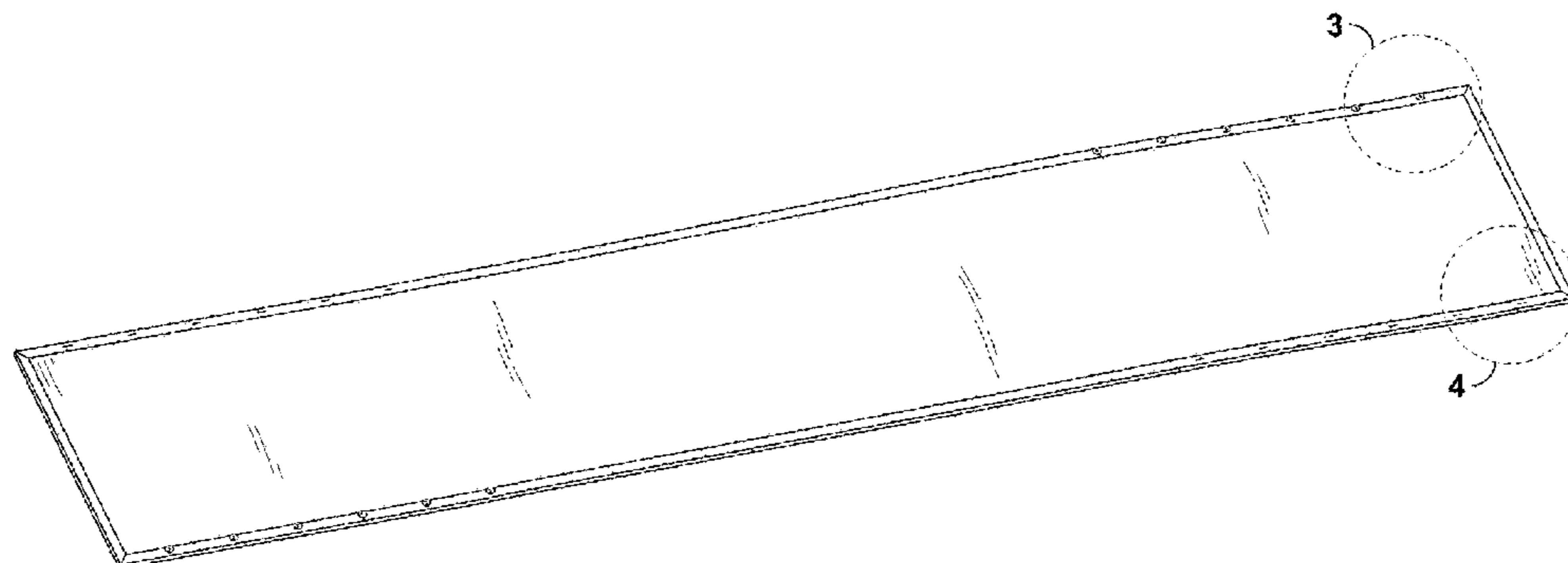
(57) **CLAIM**

The ornamental design for a multi-purpose garment, substantially as shown and described.

DESCRIPTION

FIG. 1 is a front perspective view of the multipurpose garment showing my new design;
FIG. 2 is a front elevation view thereof; the rear view being a mirror image thereof;
FIG. 3 is an enlarged view of a portion of FIG. 1 showing two of the buttons; and,
FIG. 4 is an enlarged view of a portion of FIG. 1 showing two of the button holes.

1 Claim, 2 Drawing Sheets



(56)

References Cited

U.S. PATENT DOCUMENTS

2,262,564	A	11/1941	Strother et al.
2,425,333	A	8/1947	McCarl
2,674,738	A	4/1954	Mehlos
2,904,792	A	9/1959	Elliott
3,238,536	A	3/1966	Gettinger
3,256,882	A	6/1966	Huber
3,424,153	A	1/1969	Lewis, Jr.
3,442,270	A	5/1969	Steinman
3,605,122	A	9/1971	Myers
3,879,763	A	4/1975	Smith
4,110,845	A	9/1978	Chellis
4,503,566	A	3/1985	Wheeler
4,631,754	A	12/1986	Ryan
4,797,953	A	1/1989	Dameron
4,843,645	A	7/1989	White
4,884,297	A	12/1989	Triche
4,964,176	A	10/1990	Previdi
5,010,597	A	4/1991	Glover
5,031,247	A	7/1991	Carter
5,033,126	A	7/1991	Wruck et al.
5,133,085	A	7/1992	de Pasquale Amicarelli et al.
5,173,967	A	12/1992	Carter

5,469,637	A	11/1995	Adam
5,570,474	A	11/1996	Berry et al.
5,652,958	A	8/1997	Farrell-Mestas
5,652,960	A	8/1997	Kaknevicus
6,105,163	A	8/2000	Edmiston
6,205,593	B1	3/2001	Schaub, Jr.
6,240,562	B1	6/2001	Martin
6,553,578	B2	4/2003	Phillips
8,468,612	B1 *	6/2013	Galloway A41D 23/00 2/207
D764,761	S *	8/2016	Pavalon D2/826
9,622,522	B2 *	4/2017	George A41D 15/007
9,700,086	B2 *	7/2017	Gamble A41D 15/00
2007/0017004	A1	1/2007	Sims-Perry
2007/0094764	A1	5/2007	Wakefield
2012/0079644	A1	4/2012	Benderradji
2012/0137416	A1	6/2012	Taul
2012/0185993	A1	7/2012	Cohen

OTHER PUBLICATIONS

Office Action dated Jun. 9, 2015 in U.S. Appl. No. 14/322,301, filed Jul. 2, 2014.

* cited by examiner

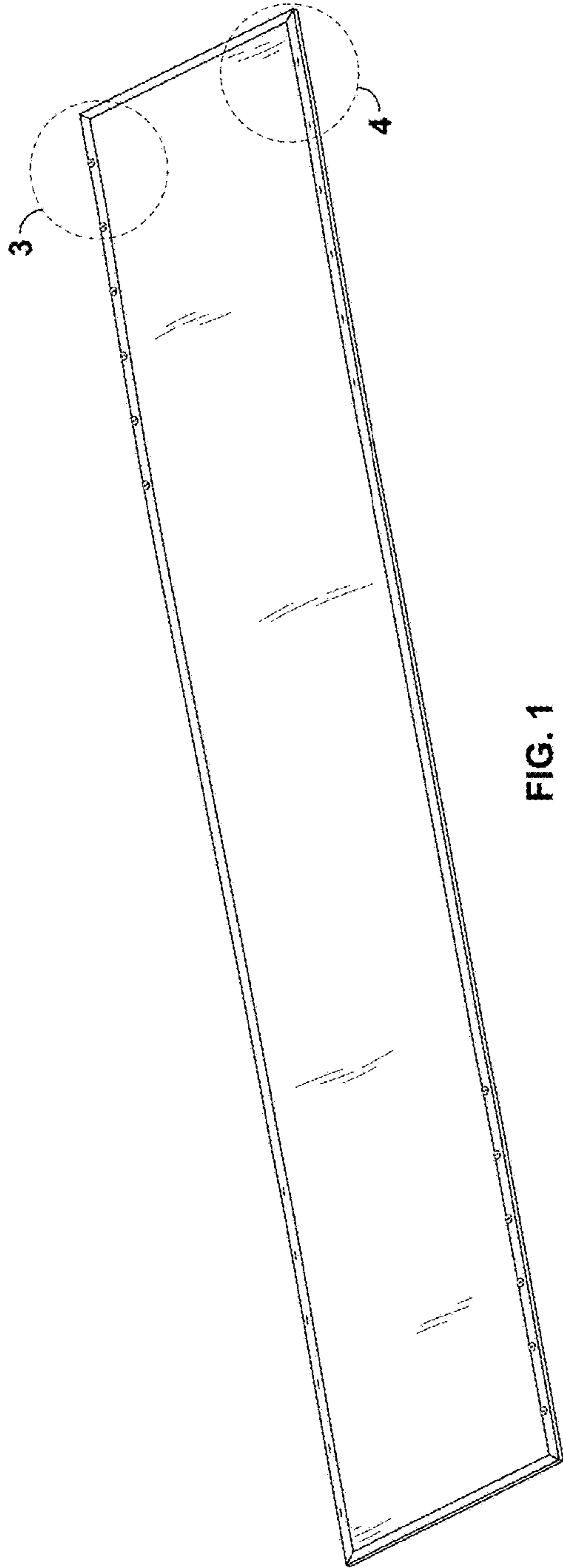


FIG. 1

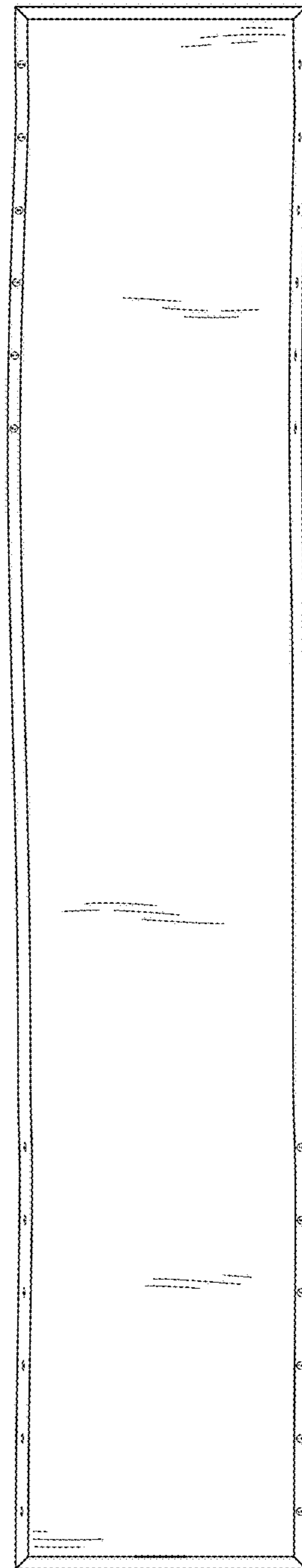


FIG. 2

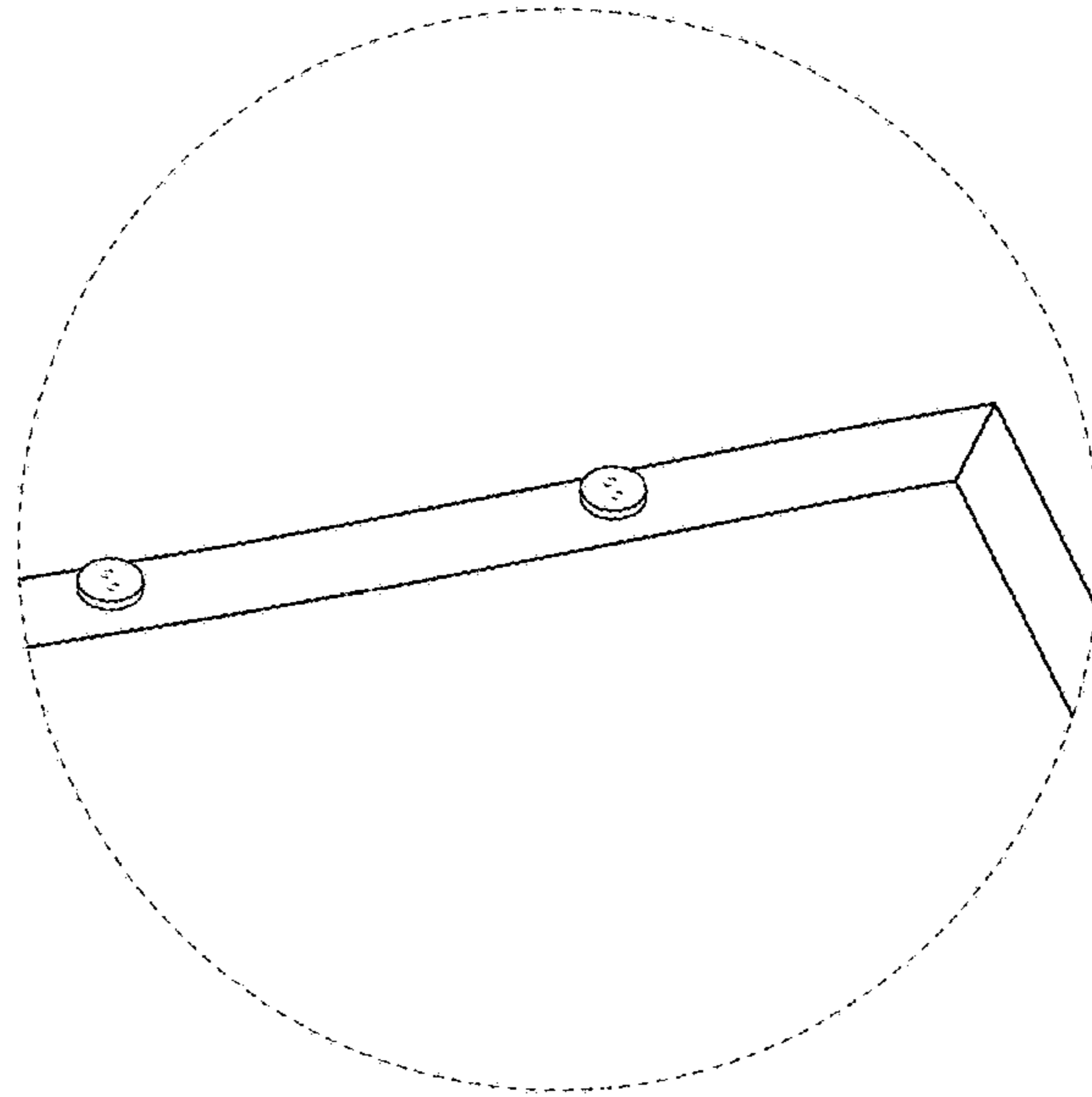


FIG. 3

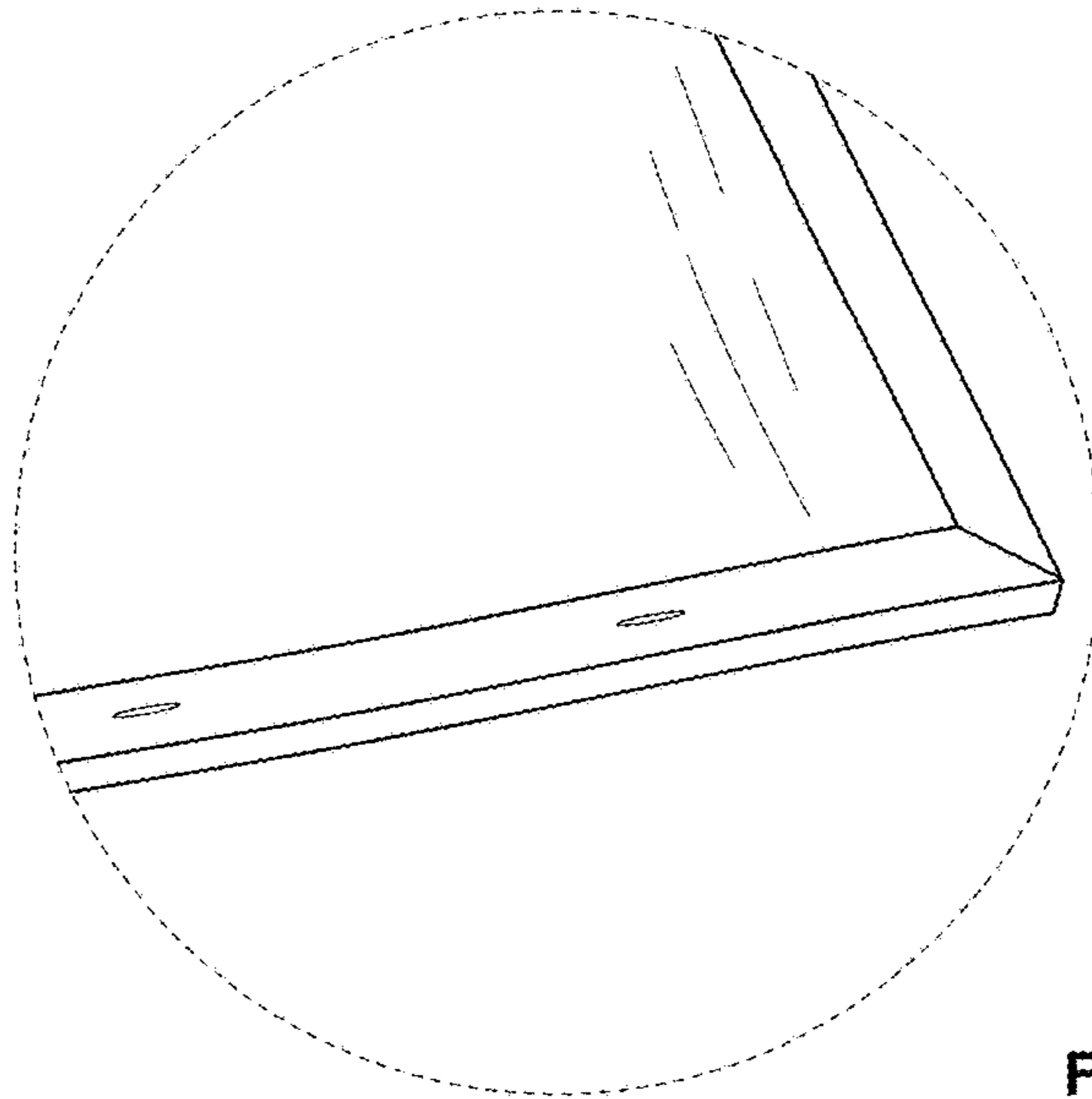


FIG. 4