



US00D844296S

(12) **United States Design Patent** (10) **Patent No.:** **US D844,296 S**
Lin (45) **Date of Patent:** **** Apr. 2, 2019**

(54) **PANTS WITH AN ELASTIC WAISTBAND**

(71) Applicant: **Yuan-Chi Lin**, Taipei (TW)

(72) Inventor: **Yuan-Chi Lin**, Taipei (TW)

(**) Term: **15 Years**

(21) Appl. No.: **29/603,600**

(22) Filed: **May 11, 2017**

(51) **LOC (11) Cl.** **02-02**

(52) **U.S. Cl.**
USPC **D2/742**

(58) **Field of Classification Search**
USPC 2/227; D2/742, 853, 786, 791, 769
CPC . A41D 1/067; A41D 1/08; A41D 1/06; A41D
15/002; A41D 15/005; A41C 1/06; A41C
1/00

See application file for complete search history.

(56) **References Cited**

U.S. PATENT DOCUMENTS

D260,320 S *	8/1981	Heinfling	D2/742
D528,742 S *	9/2006	Langmantel	D2/853
D745,252 S *	12/2015	Bednarz	D2/742
D787,158 S *	5/2017	Lago	D2/742
D788,407 S *	6/2017	Keys	D2/742
D788,408 S *	6/2017	Lago	D2/742

D801,001 S *	10/2017	Keys	D2/742
D802,256 S *	11/2017	Peshek	D2/742
2013/0219589 A1 *	8/2013	Jones	A41D 15/005 2/227
2017/0303604 A1 *	10/2017	Kasabo	A41D 1/06

* cited by examiner

Primary Examiner — Robin V Webster

Assistant Examiner — J. Thorn, Sr.

(57) **CLAIM**

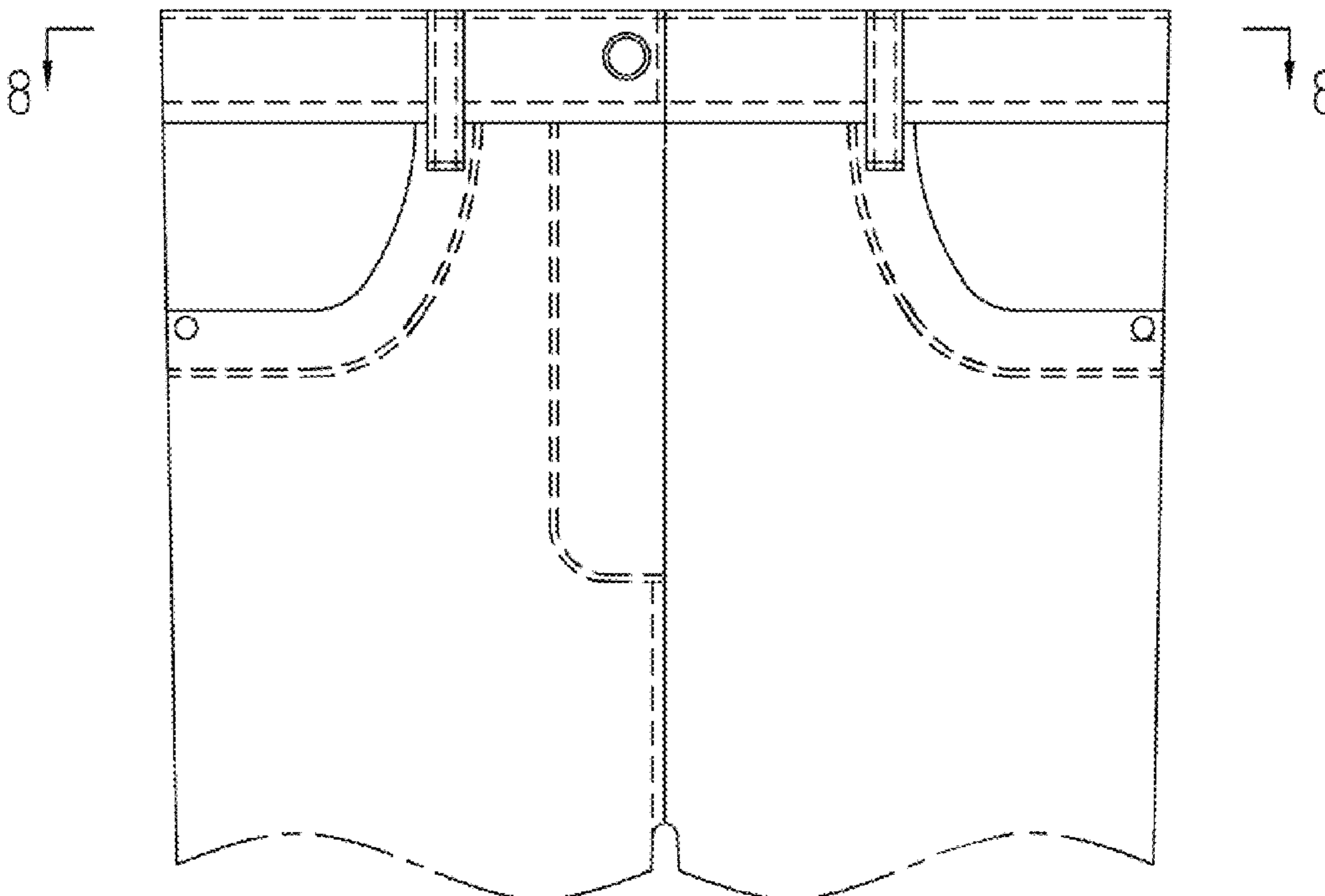
The ornamental design for pants with an elastic waistband, as shown and described.

DESCRIPTION

FIG. 1 is a front elevation view of pants with an elastic waistband showing my new design; FIG. 2 is a rear elevation view thereof; FIG. 3 is a left side view thereof; FIG. 4 is a right side view thereof; FIG. 5 is a top plan view thereof; FIG. 6 is a bottom plan view thereof; FIG. 7 is an enlarged cross-sectional view taken along line 7-7 in FIG. 5; and, FIG. 8 is a partially enlarged cross-sectional view taken along line 8-8 in FIG. 1.

The dash broken lines shown on the drawings represent stitching, and the dot-dash broken lines illustrate portions of the pants. The broken line portion of the figure drawings is included to show unclaimed subject matter only and forms no part of the claimed design.

1 Claim, 5 Drawing Sheets



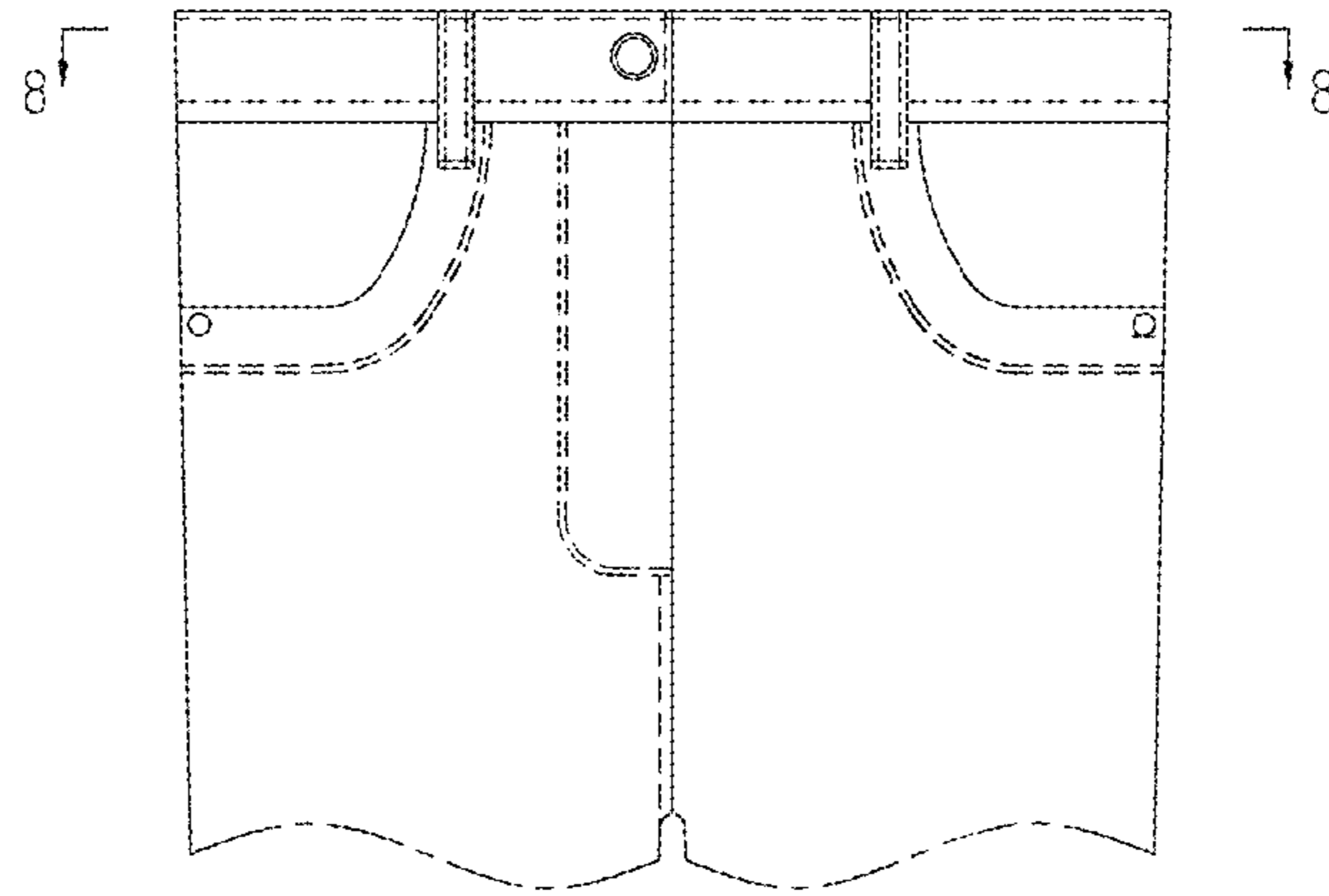


FIG. 1

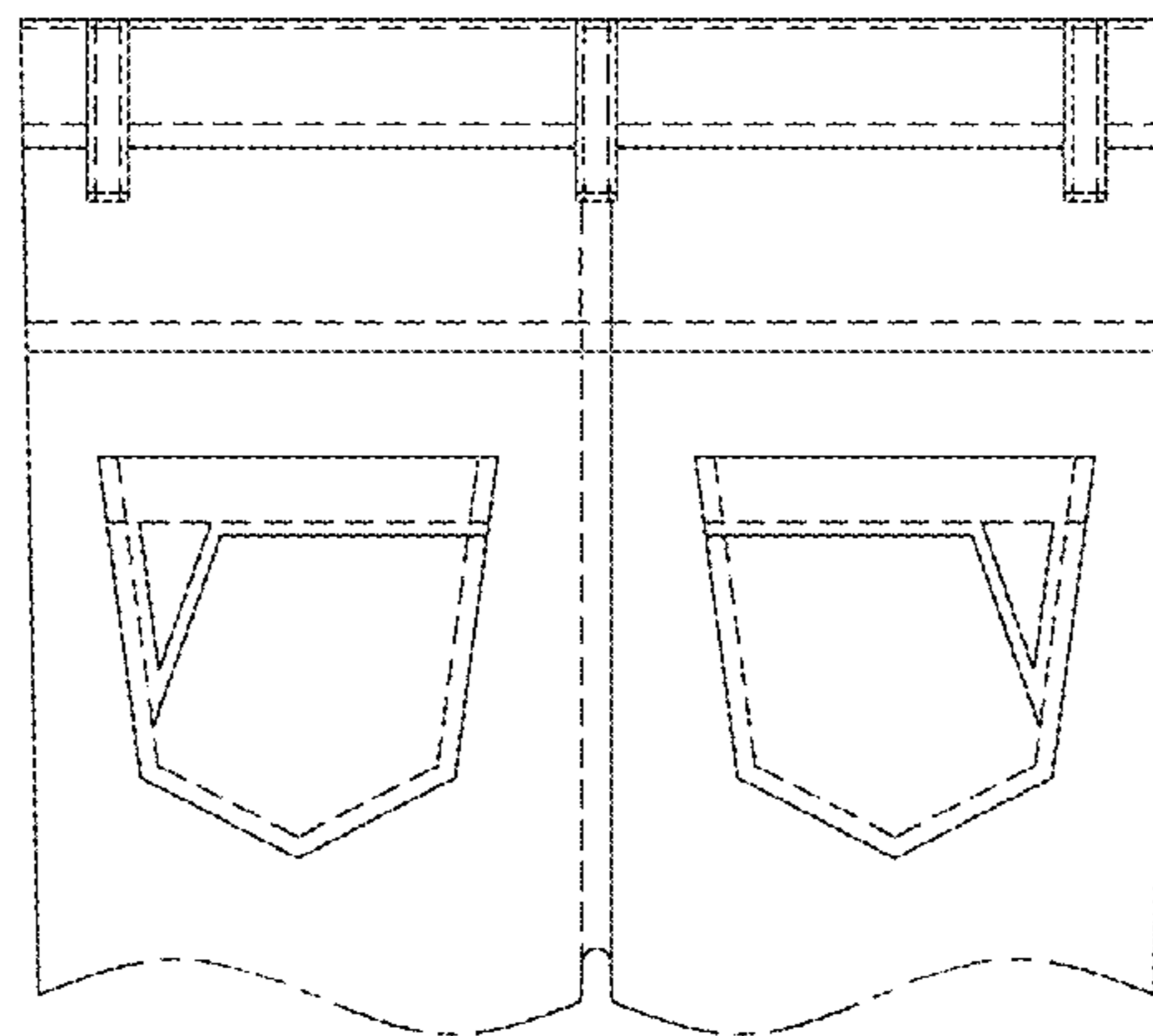


FIG. 2

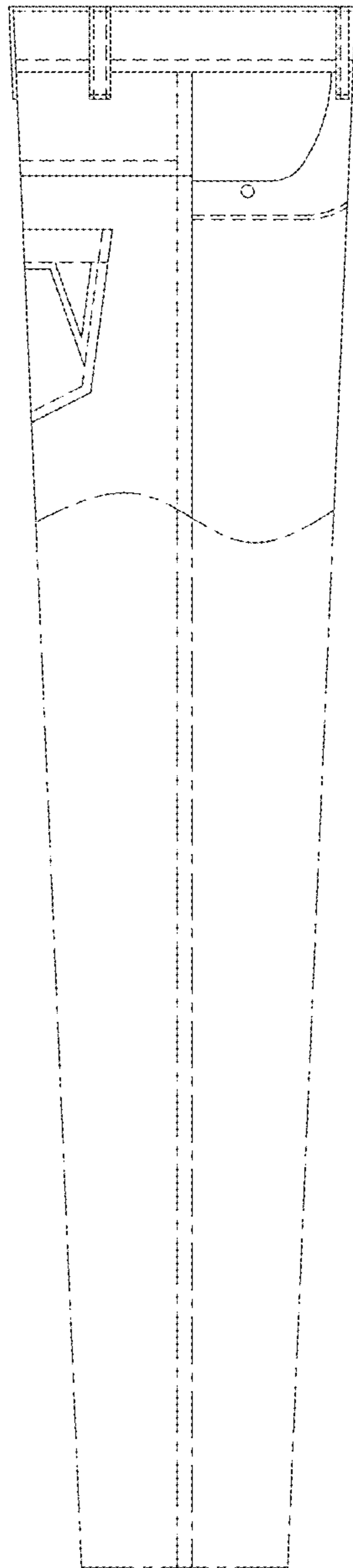


FIG. 3

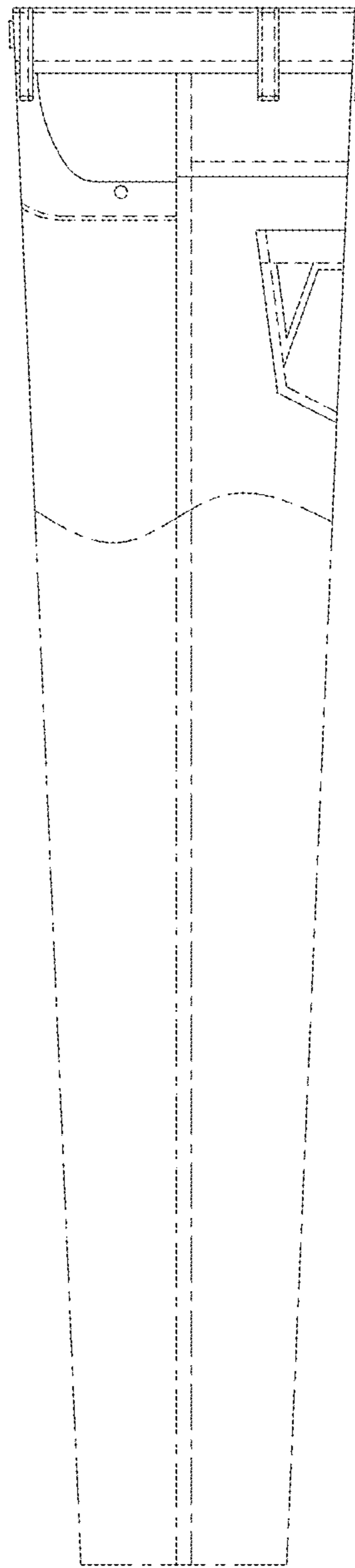


FIG. 4

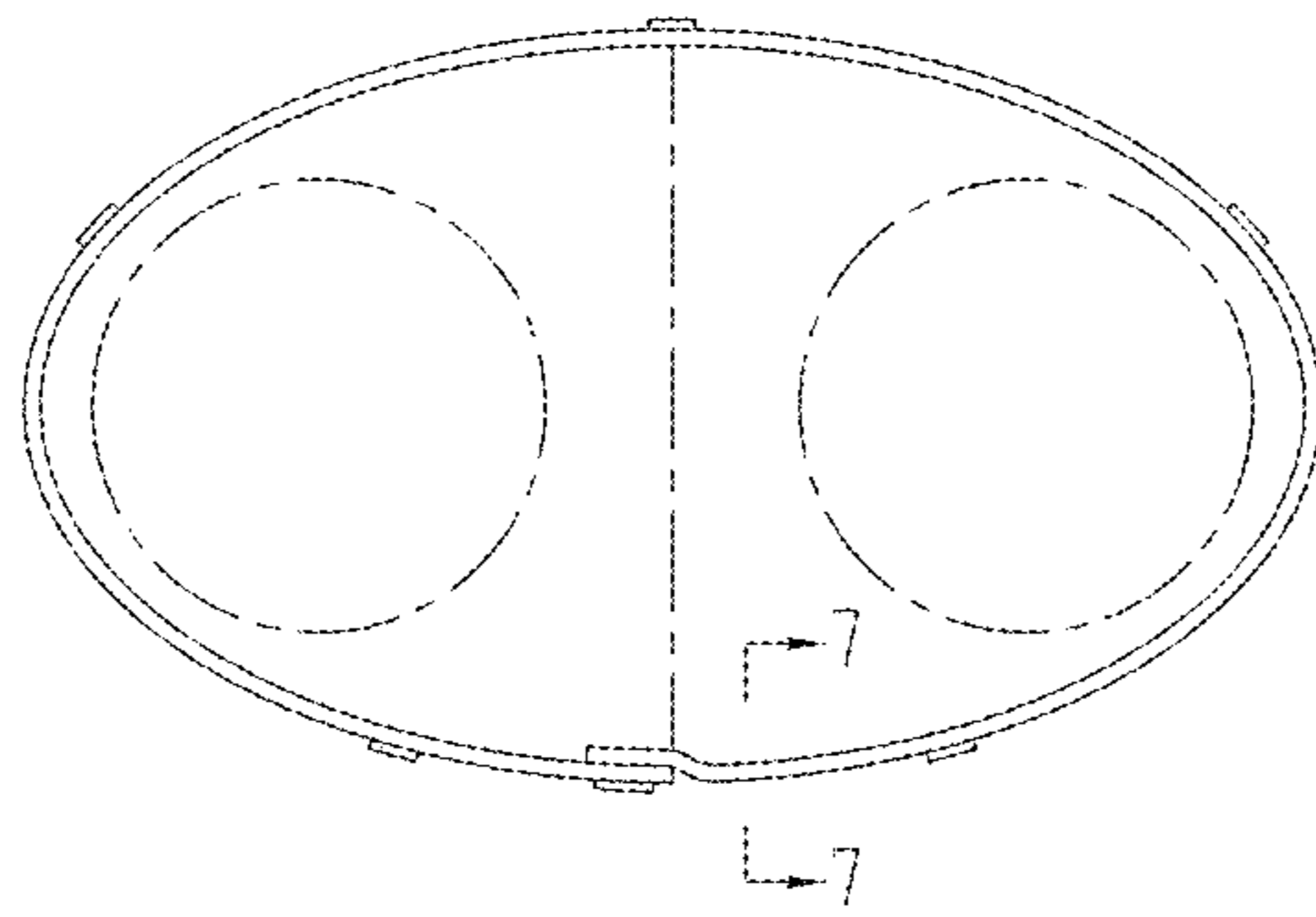


FIG. 5

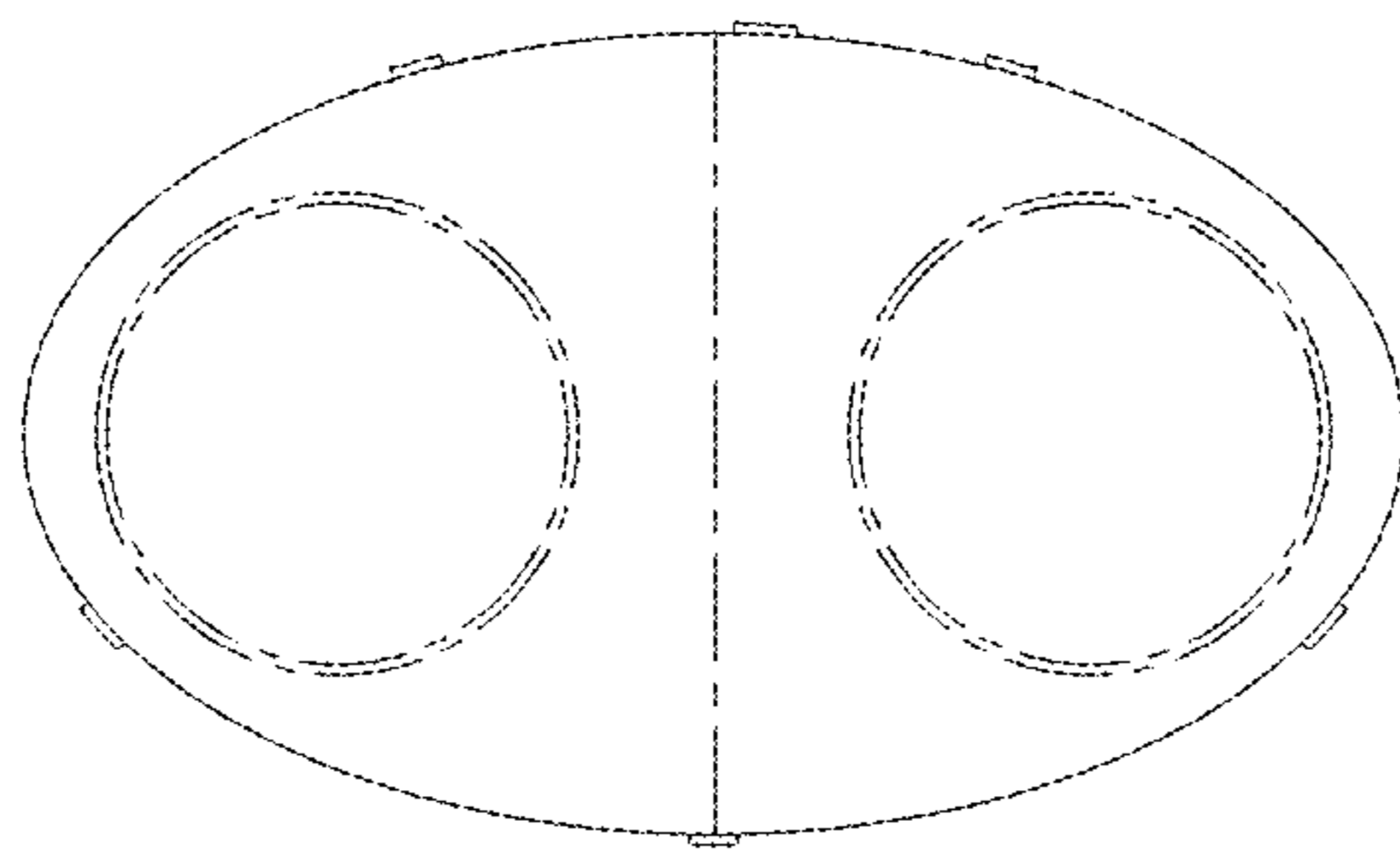


FIG. 6

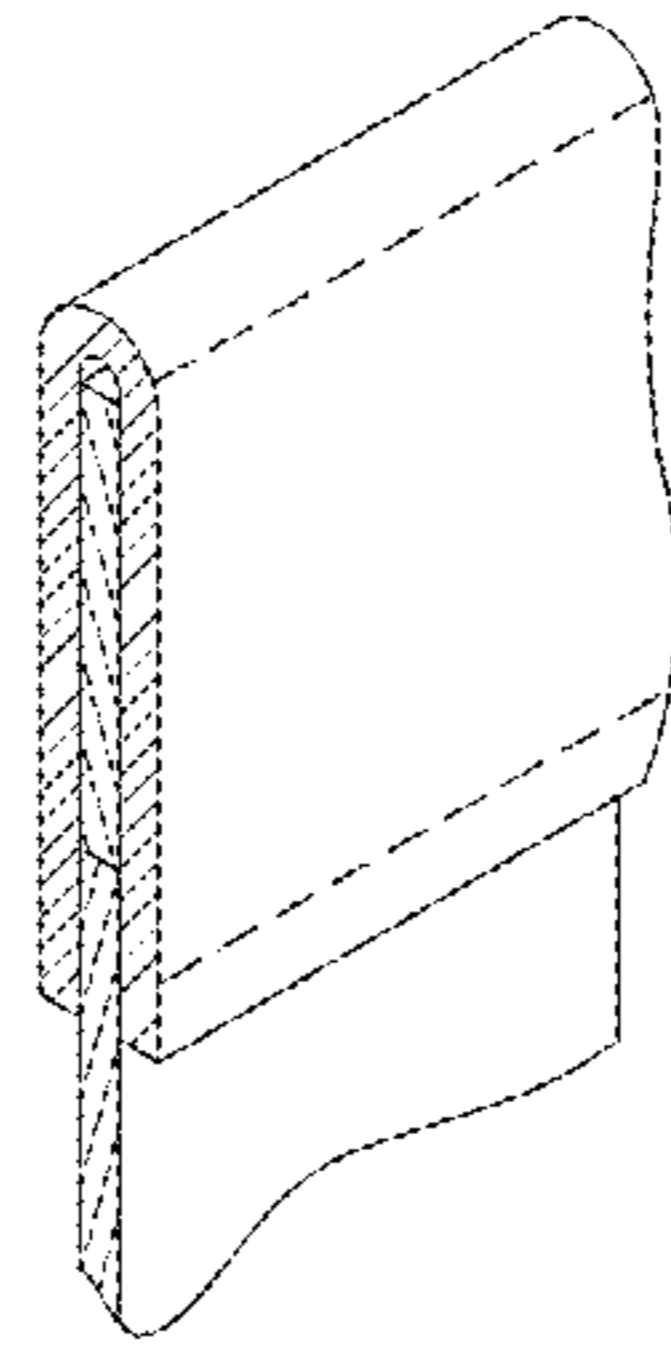


FIG. 7

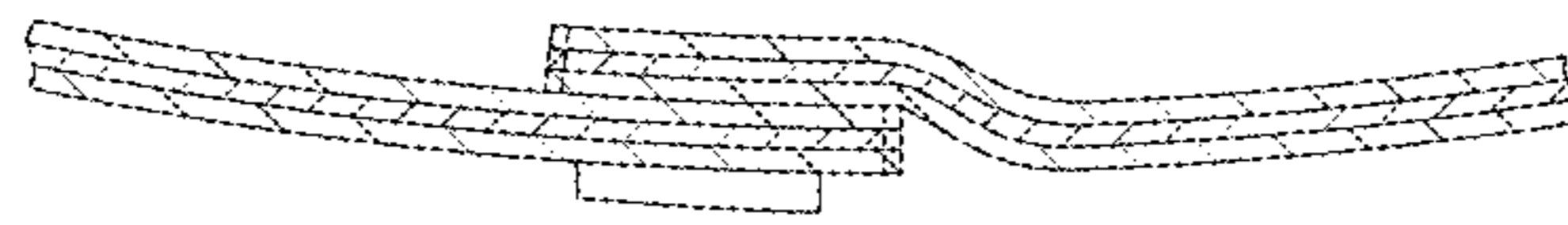


FIG. 8