



US00D844285S

(12) **United States Design Patent**
Hirai

(10) **Patent No.:** **US D844,285 S**

(45) **Date of Patent:** **** Apr. 2, 2019**

(54) **SCARF**

(71) Applicant: **MOORE Corporation**, Naruto-shi,
Tokushima (JP)

(72) Inventor: **Yasuko Hirai**, Naruto (JP)

(73) Assignee: **MOORE Corporation**, Naruto-shi,
Tokushima (JP)

(**) Term: **15 Years**

(21) Appl. No.: **29/638,663**

(22) Filed: **Feb. 28, 2018**

(30) **Foreign Application Priority Data**

Oct. 18, 2017 (JP) 2017-023019

(51) **LOC (11) Cl.** **02-05**

(52) **U.S. Cl.**
USPC **D2/500; D2/502**

(58) **Field of Classification Search**
USPC D2/500-508, 825; 2/207, 279
CPC A42B 5/00; A41D 23/00; A41D 27/204
See application file for complete search history.

(56) **References Cited**

U.S. PATENT DOCUMENTS

D124,163 S *	12/1940	Berger	2/207
D135,196 S *	3/1943	Brown	D2/503
D263,893 S *	4/1982	Kanoui	D2/503
D475,174 S *	6/2003	Margiela	D2/504
D507,693 S *	7/2005	Walton	D2/825
D666,787 S *	9/2012	Howard	D2/502
D674,167 S *	1/2013	Ehler	D2/826
D704,476 S *	5/2014	Ruffin	D6/603
D719,762 S *	12/2014	Ruffin	D6/603
D733,463 S *	7/2015	Ruffin	D6/603

D748,369 S *	2/2016	Singh	D2/505
D772,527 S *	11/2016	Hayek	D2/502
2016/0058096 A1 *	3/2016	Simmons	A42B 7/00 2/207

* cited by examiner

Primary Examiner — Robin V Webster

Assistant Examiner — J. Thorn, Sr.

(74) *Attorney, Agent, or Firm* — Muncy, Geissler, Olds & Lowe, P.C.

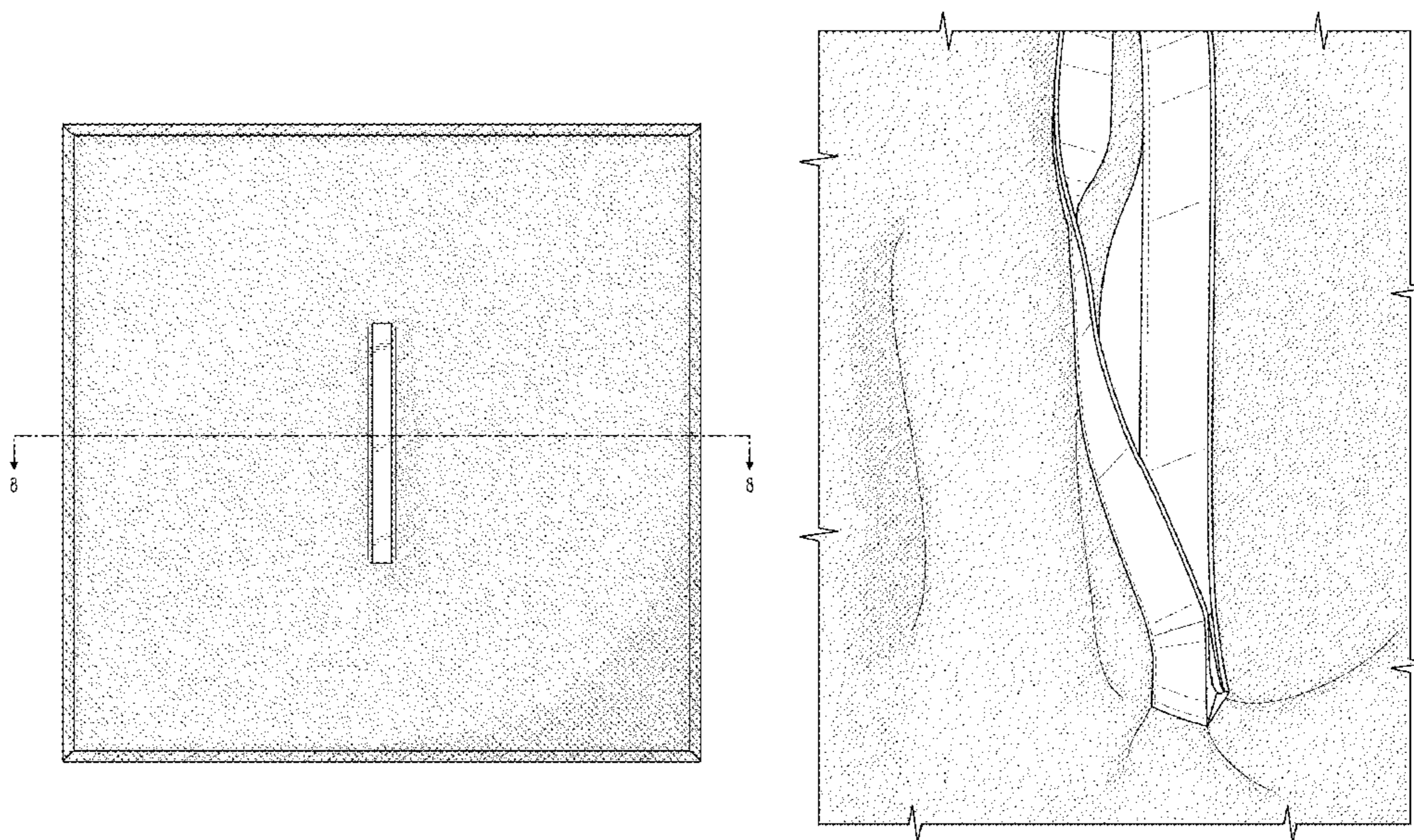
(57) **CLAIM**

The ornamental design for a scarf, as shown and described.

DESCRIPTION

FIG. 1 is a front view of the scarf that has a slit in the center thereof showing my new design;
 FIG. 2 is a back view thereof;
 FIG. 3 is a top-plan view thereof, the bottom view being a mirror image of FIG. 3;
 FIG. 4 is a right side view thereof;
 FIG. 5 is a left view thereof;
 FIG. 6 is a reference view thereof showing the scarf in use;
 FIG. 7 is an enlarged perspective view thereof showing the slit in an alternate open position;
 FIG. 8 is a cross sectional view thereof cut along the line 8-8 in FIG. 1;
 FIG. 9 is another front view thereof, in which ornamental marks are illustrated with broken-lines; and,
 FIG. 10 is an enlarged view thereof cut along the circle 10 in FIG. 8.
 The broken line showing is for the purpose of illustrating environmental structure and forms no part of the claimed the design.

1 Claim, 10 Drawing Sheets



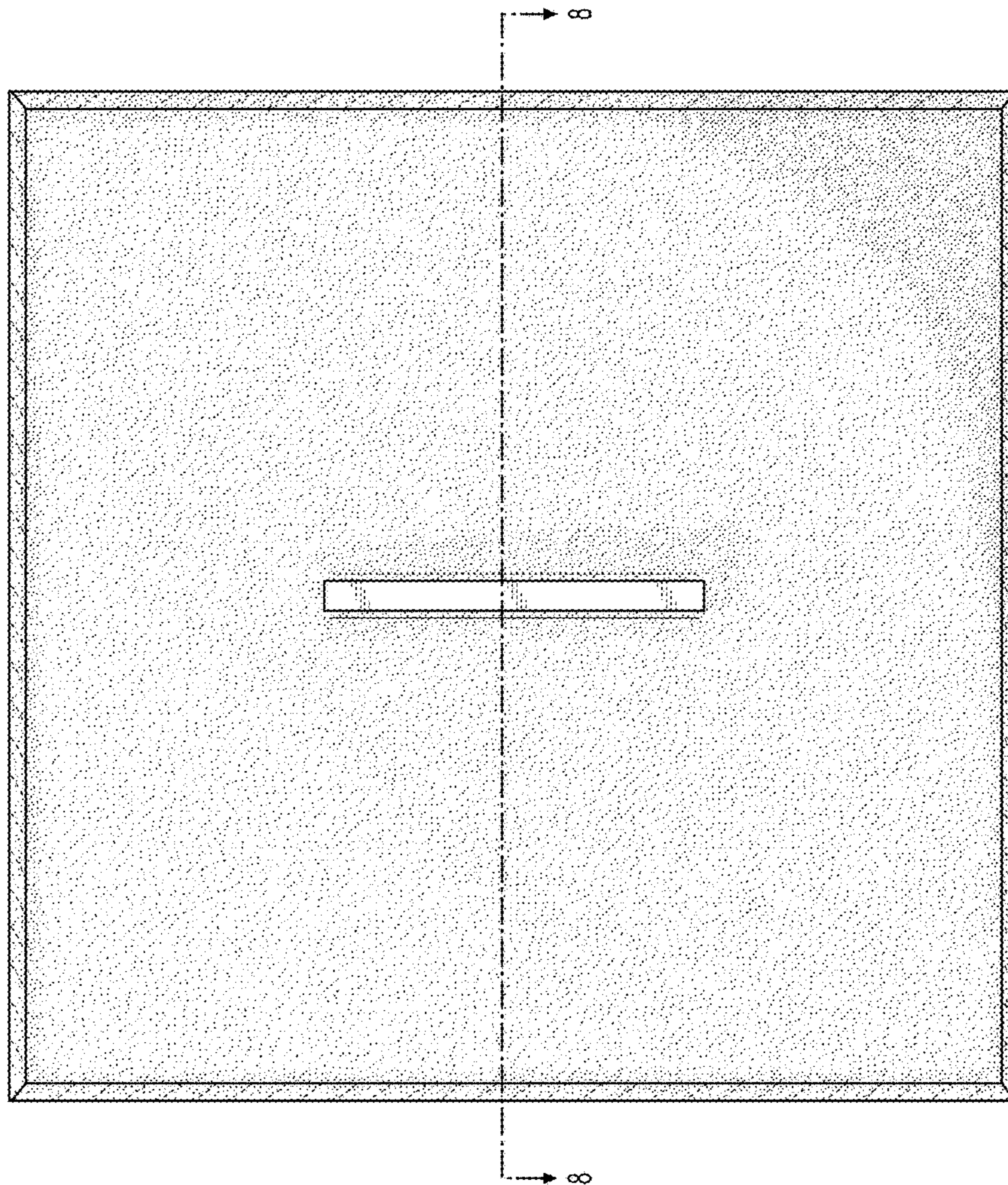


FIG. 1

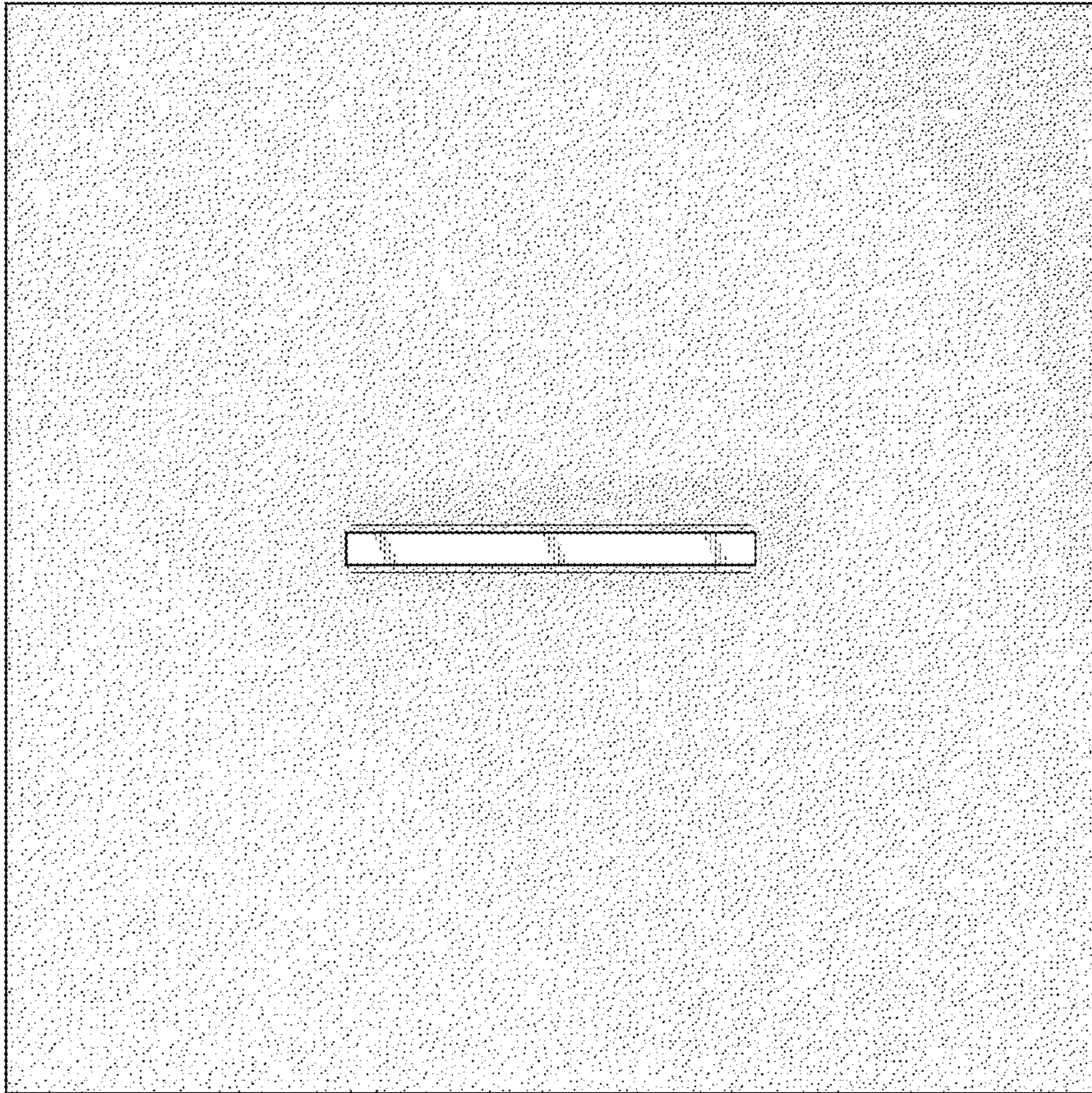


FIG. 2



FIG. 3



FIG. 4



FIG. 5

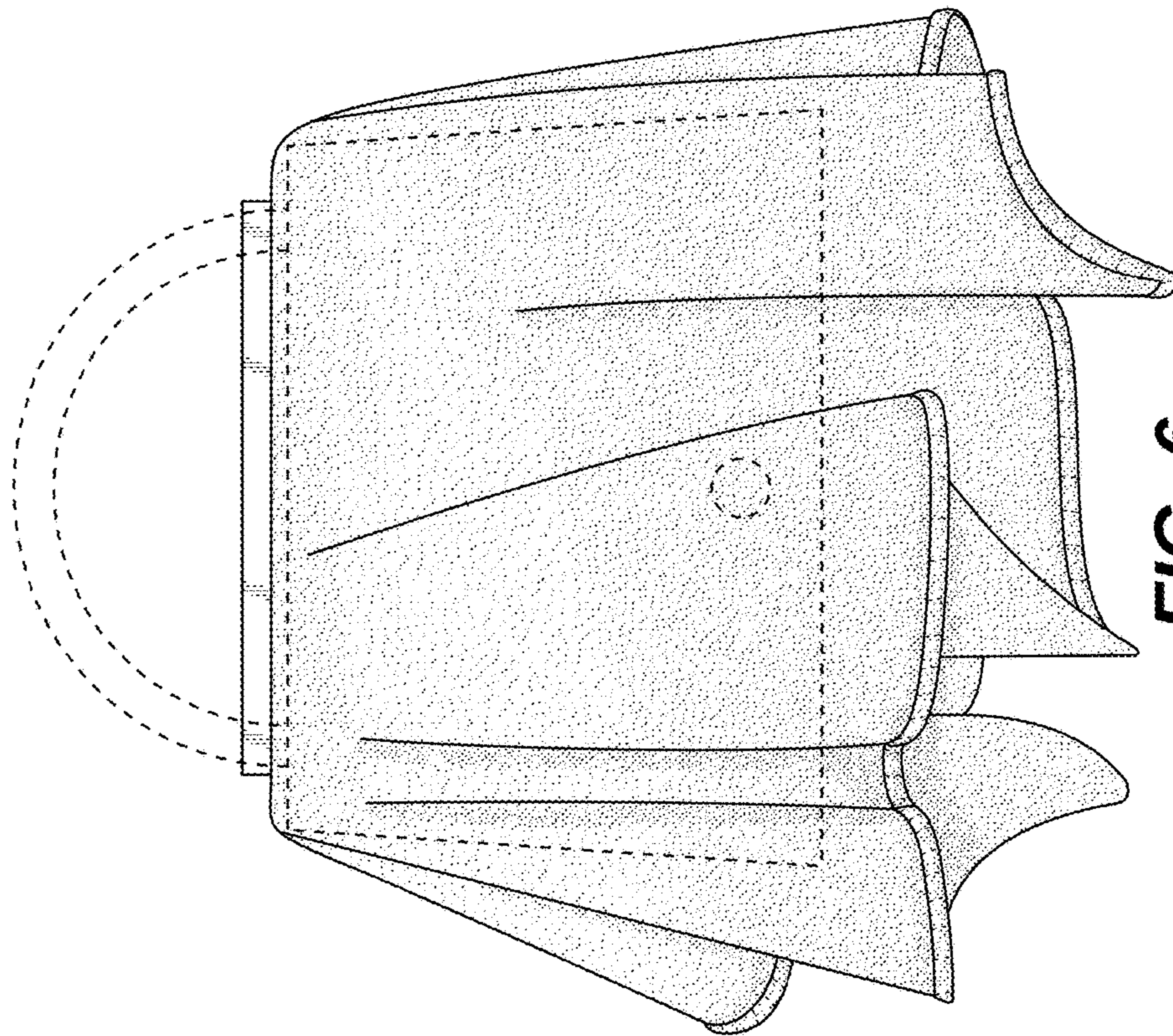


FIG. 6

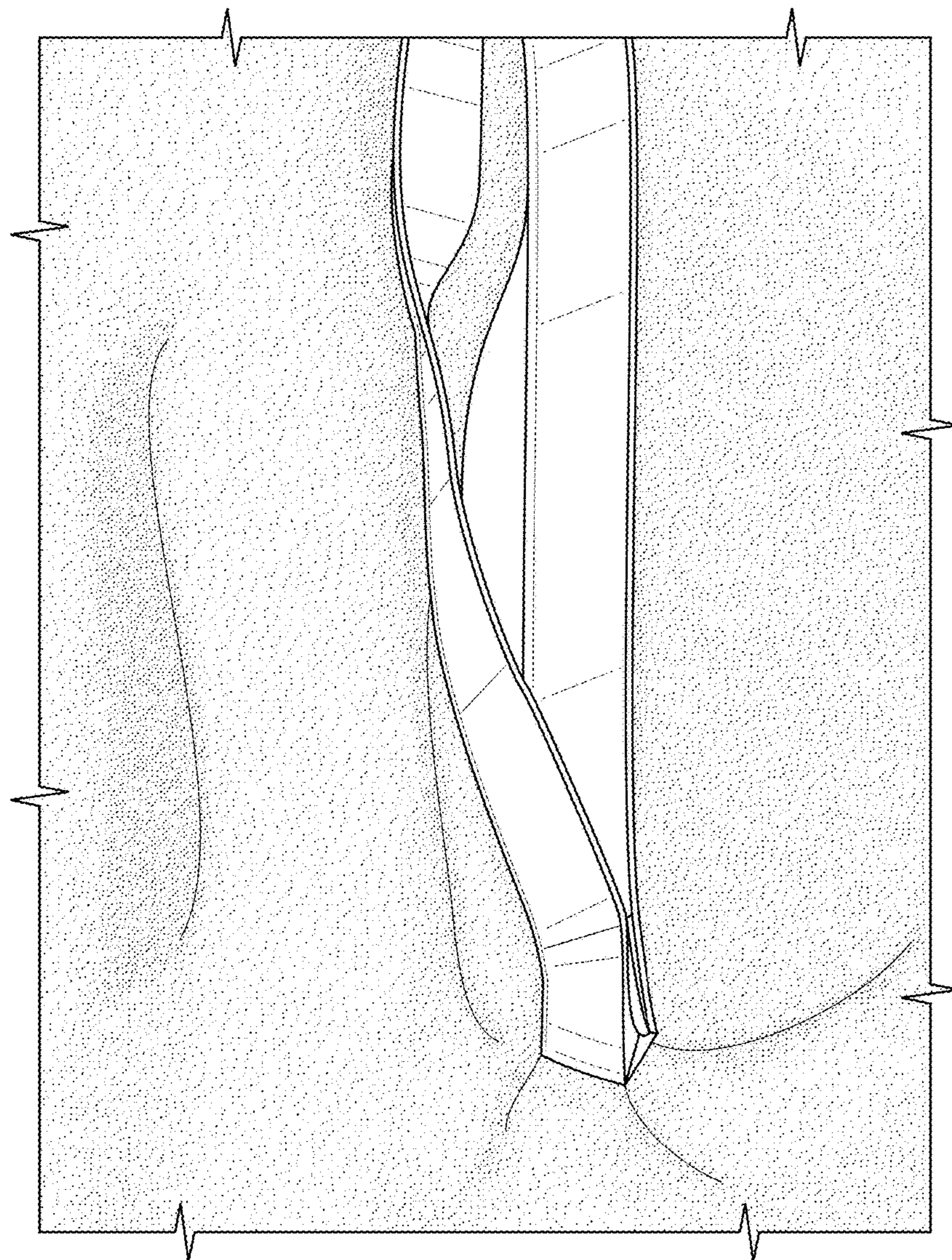


FIG. 7

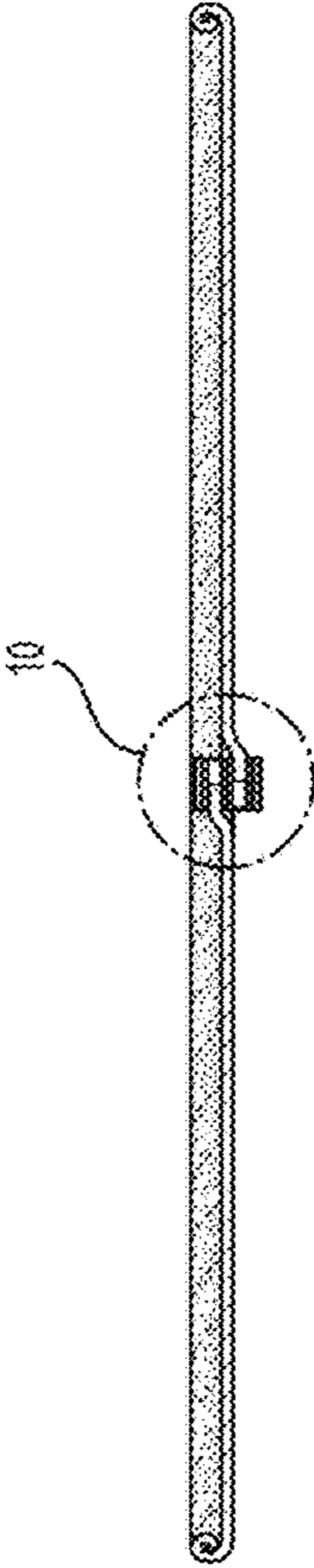


FIG. 8

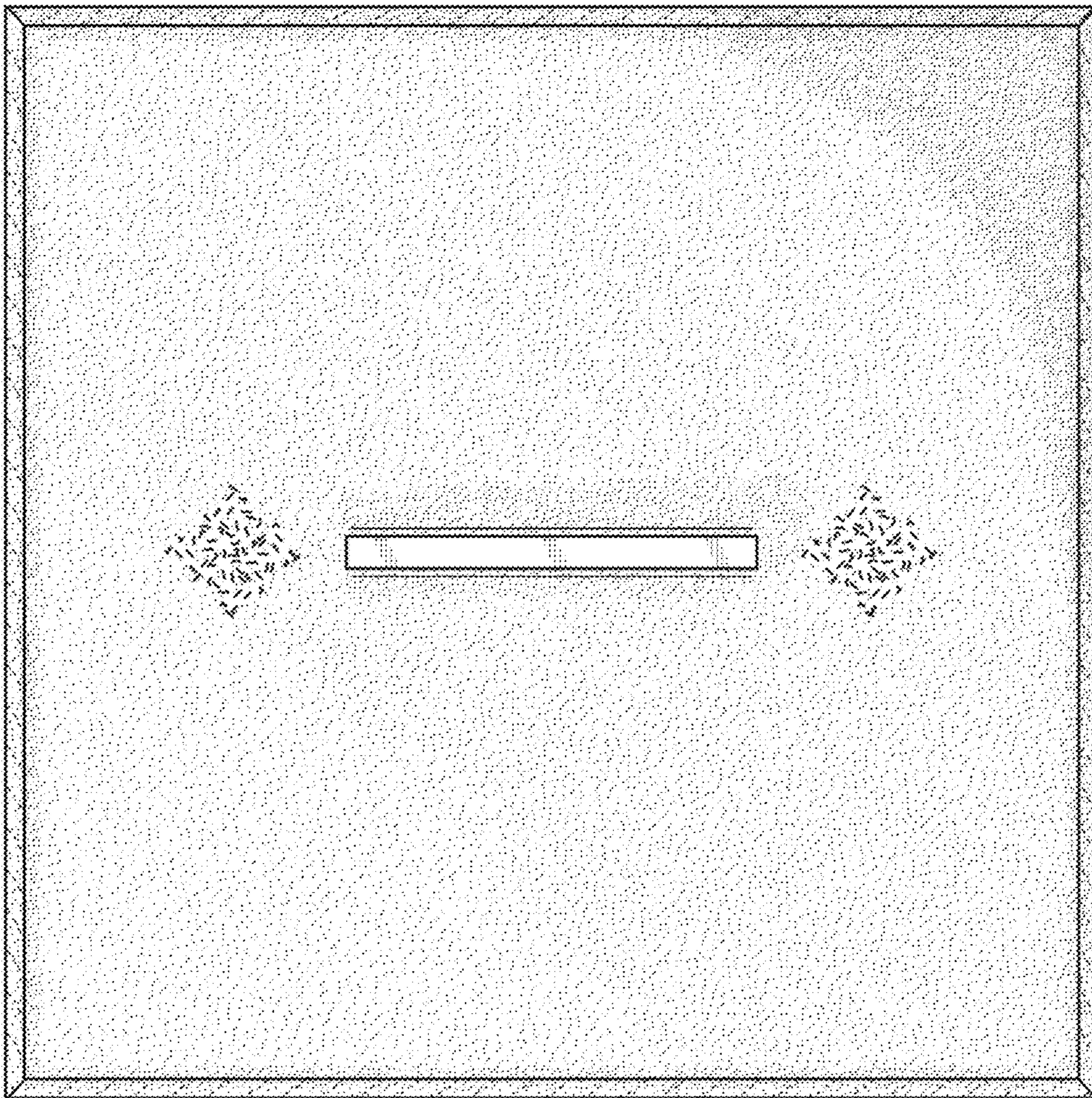


FIG. 9

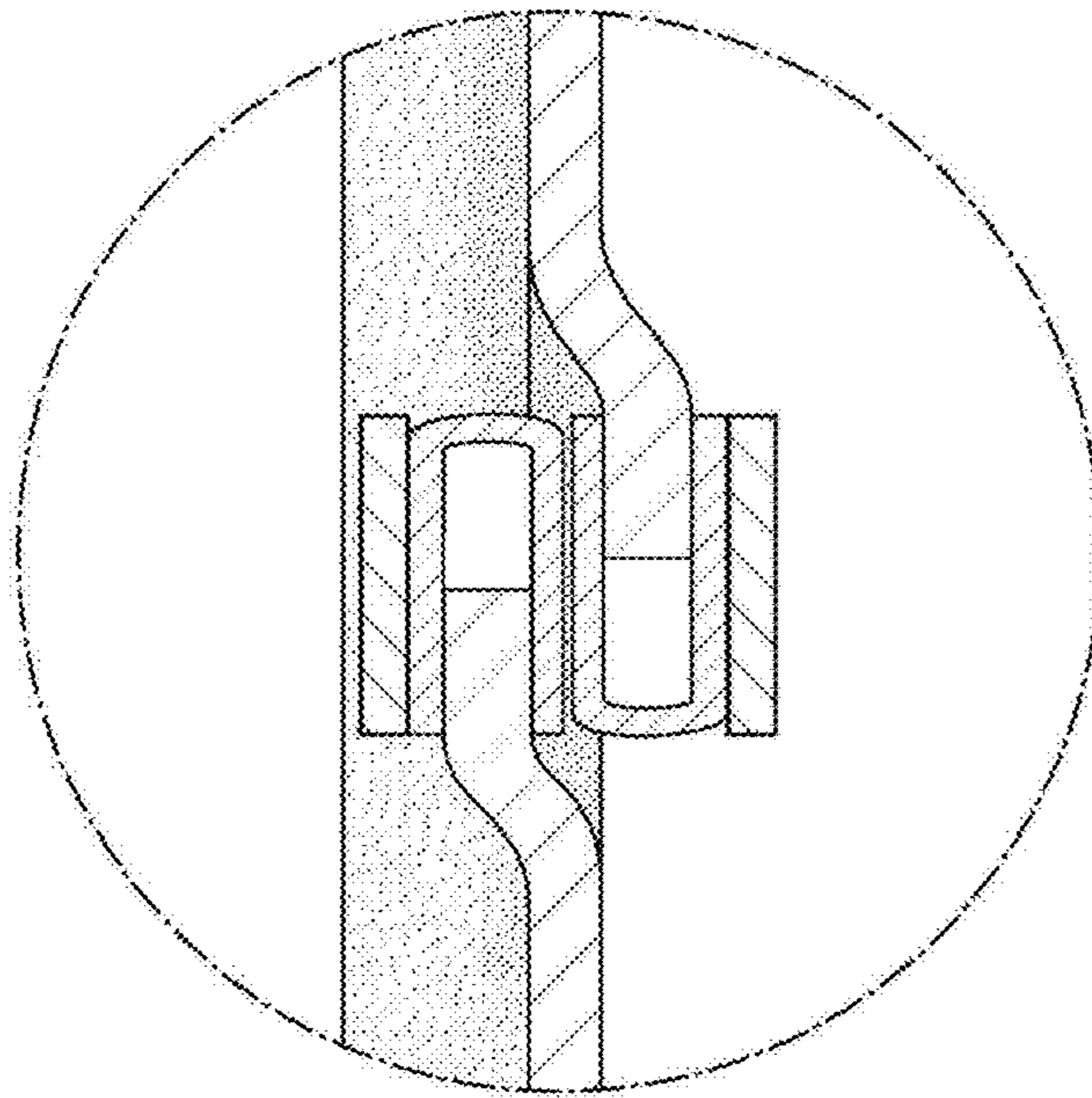


FIG. 10