



US00D844279S

(12) **United States Design Patent**
Campbell et al.

(10) **Patent No.:** **US D844,279 S**

(45) **Date of Patent:** **** *Mar. 26, 2019**

(54) **QUICK RESPONSE CODE FOR GRAVE MARKER**

(71) Applicants: **Ed Campbell**, Seattle, WA (US); **Steve Maynock**, Seattle, WA (US)

(72) Inventors: **Ed Campbell**, Seattle, WA (US); **Steve Maynock**, Seattle, WA (US)

(73) Assignee: **Life of Achievement, Inc.**, Seattle, WA (US)

(*) Notice: This patent is subject to a terminal disclaimer.

(**) Term: **15 Years**

(21) Appl. No.: **29/505,300**

(22) Filed: **Sep. 4, 2015**

Related U.S. Application Data

(63) Continuation of application No. 14/120,770, filed on Jun. 24, 2014, now Pat. No. 9,128,936.

(51) **LOC (11) Cl.** **99-00**

(52) **U.S. Cl.**
USPC **D99/17**

(58) **Field of Classification Search**

USPC D99/17, 8, 25; D3/28; D20/10-12, 29; D19/6; D27/131, 143, 139, 31; D11/121; D26/96; D14/492, 485, 489; 40/428; 362/96; 52/105, 103; 27/1
CPC A61G 17/00; A61G 17/08; G06F 3/0481
See application file for complete search history.

(56) **References Cited**

U.S. PATENT DOCUMENTS

877,295 A * 1/1908 Churchman et al. .. A61G 17/08 27/1
1,662,359 A * 3/1928 Brennan H01R 33/00 27/1

D85,197 S * 9/1931 Papapetrou D19/26
D102,561 S * 12/1936 Lamb D26/5
2,145,618 A * 1/1939 Anderson E05B 19/18 70/393
D166,876 S * 5/1952 Robins D11/120
2,976,450 A * 3/1961 Benoliel H01K 1/625 313/146
D206,855 S * 2/1967 Feria 223/103
4,510,556 A * 4/1985 Johnson F21S 10/04 362/184
5,582,478 A * 12/1996 Ambrosino A47G 19/26 312/284
5,691,527 A 11/1997 Hara et al.
5,696,488 A * 12/1997 Assisi G07C 9/00111 235/375

(Continued)

FOREIGN PATENT DOCUMENTS

WO WO 01/29736 A2 4/2001

Primary Examiner — Paula Allen Greene

(74) *Attorney, Agent, or Firm* — Lowe Graham Jones PLLC

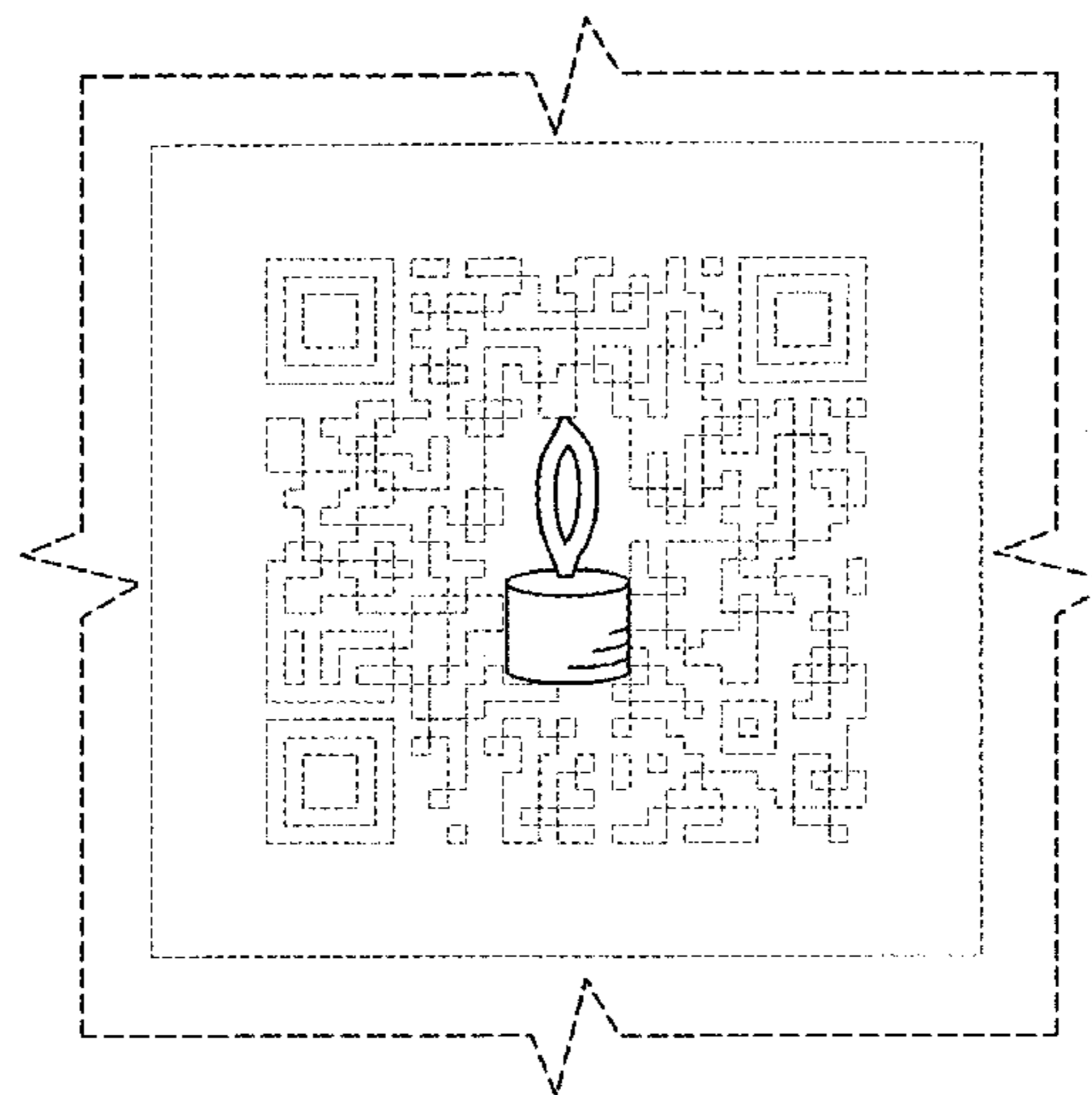
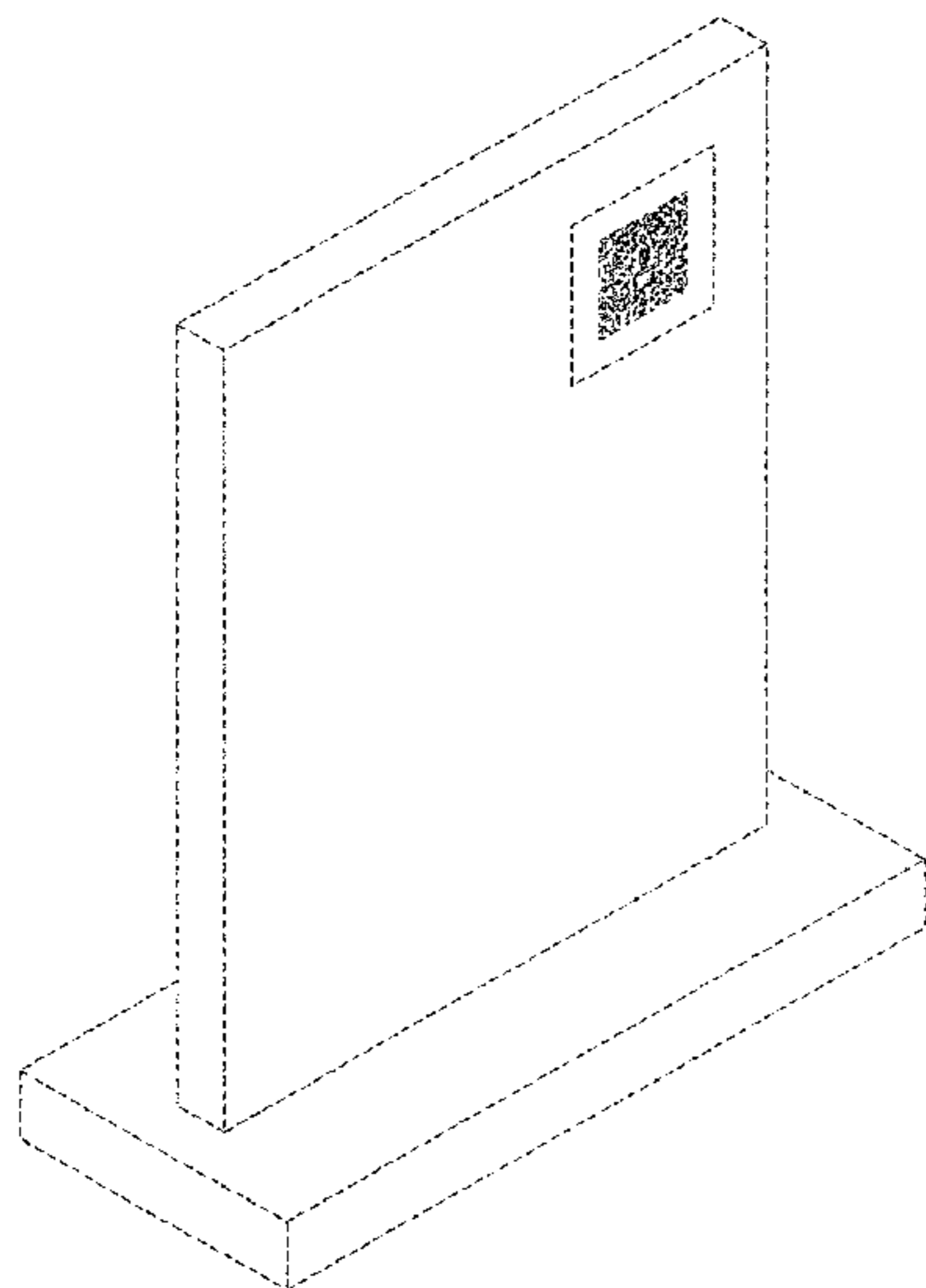
(57) **CLAIM**

The ornamental design for a quick response code for grave marker, as shown and described.

DESCRIPTION

FIG. 1 is an environmental, front left isometric view showing our new quick response code for grave marker design. FIG. 2 is an enlarged, front elevation view of the design. FIG. 3 is an enlarged, right side elevation view of the design; and, FIG. 4 is an enlarged, top plan view of the design. The portions of the design shown in phantom lines are for environmental purposes only and form no part of the claimed invention.

1 Claim, 2 Drawing Sheets



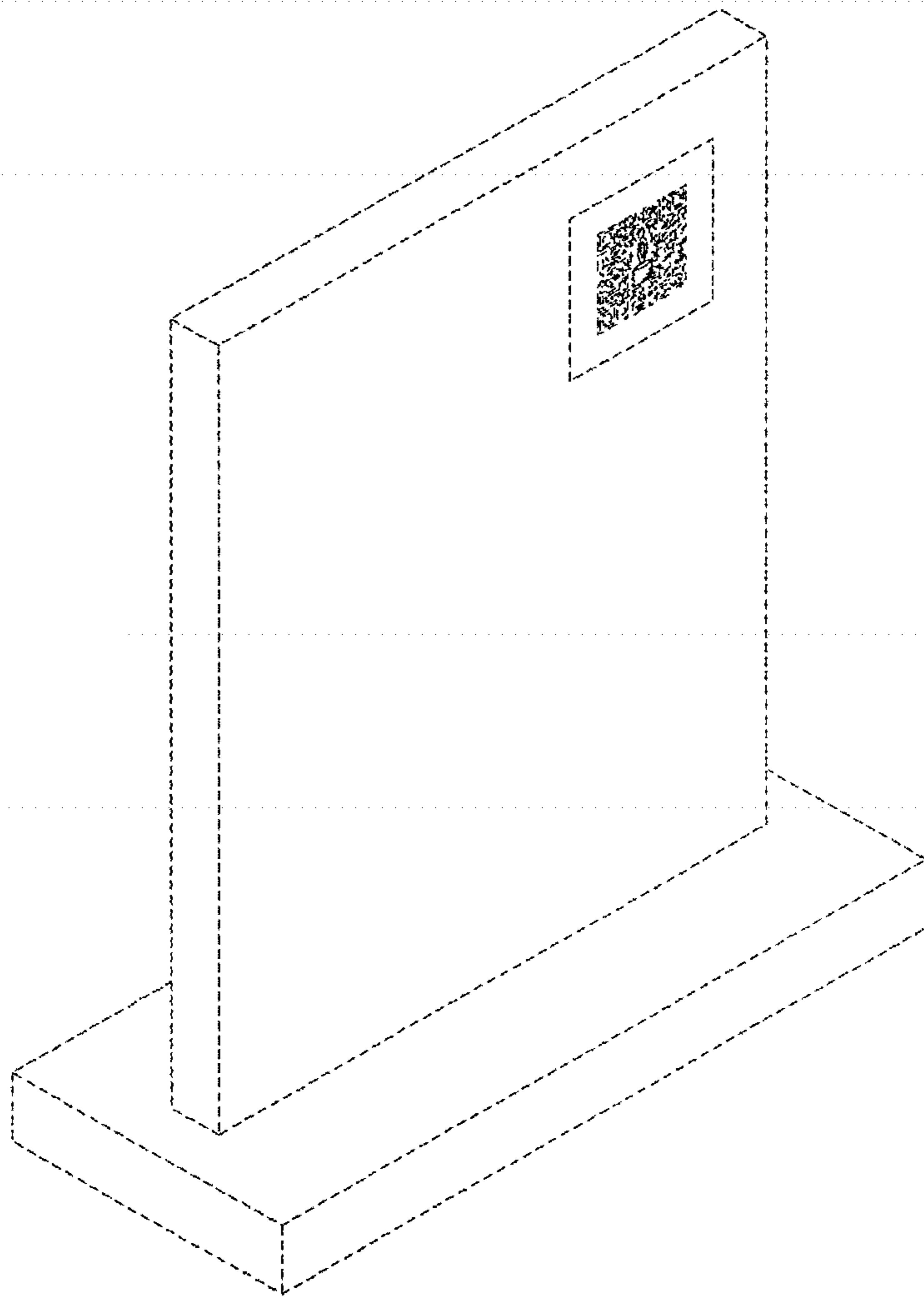


Fig. 1

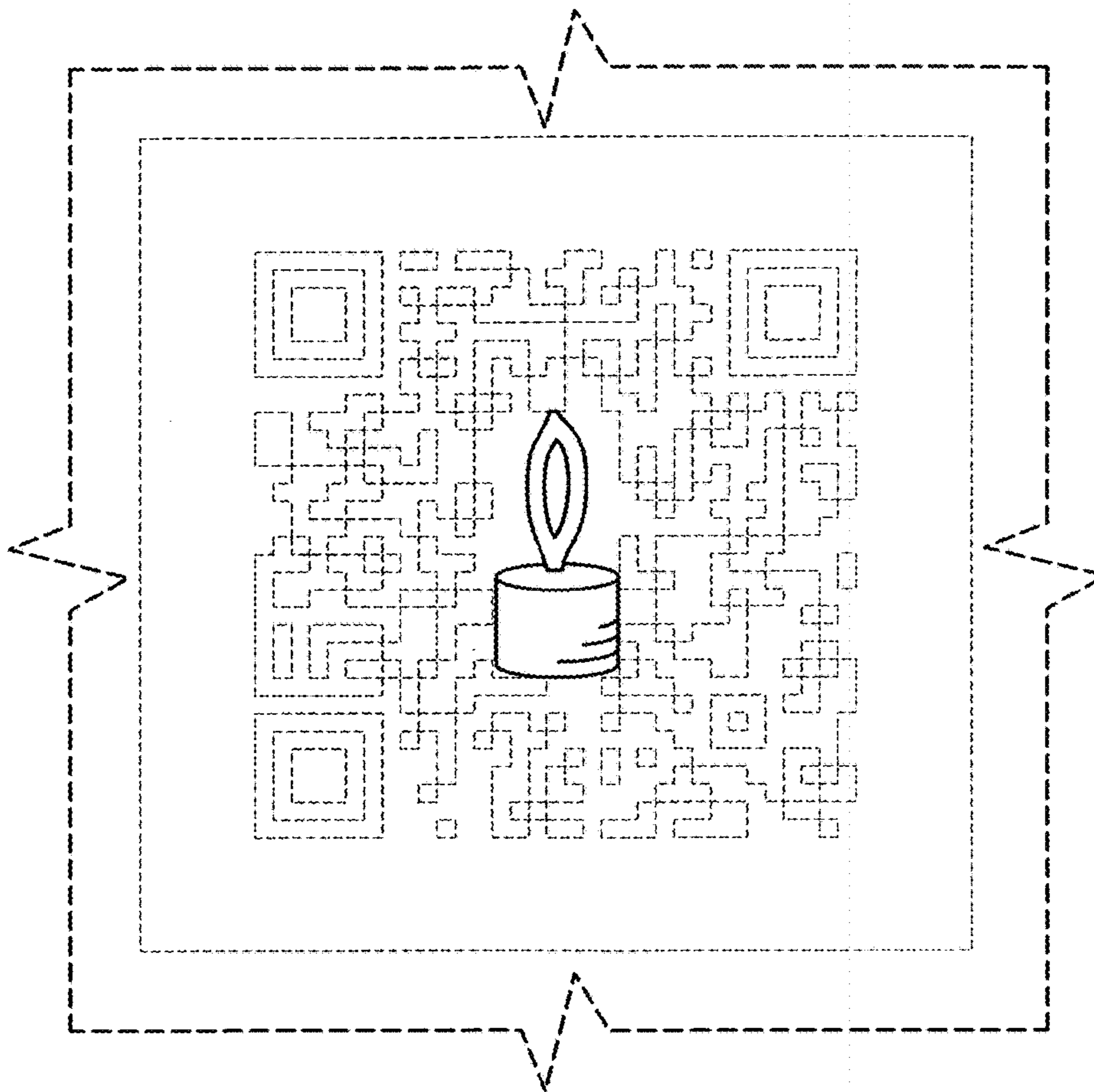


Fig. 2

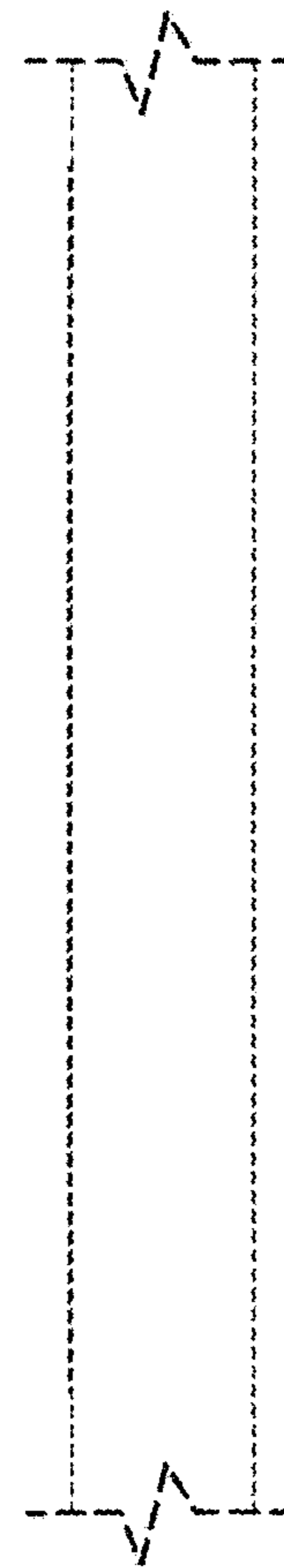


Fig. 3

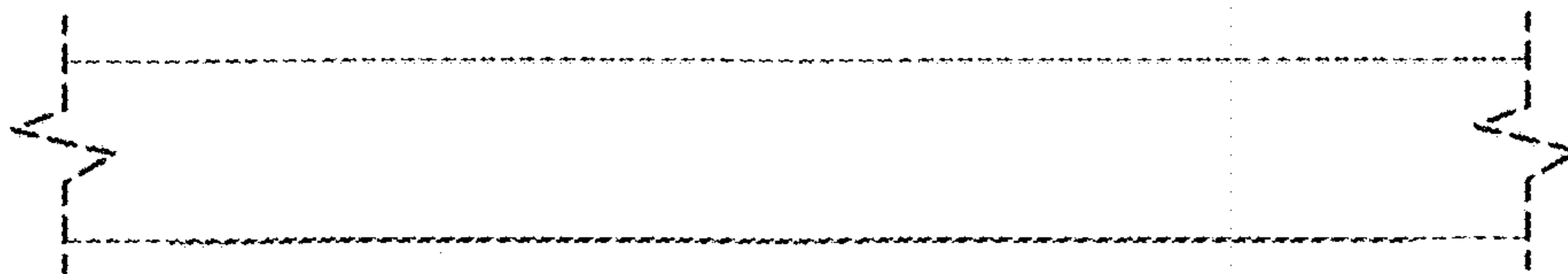


Fig. 4