



US00D844278S

(12) **United States Design Patent**
Iotti

(10) **Patent No.:** **US D844,278 S**
(45) **Date of Patent:** **** Mar. 26, 2019**

(54) **LIFTING DEVICE**
(71) Applicant: **MANITOU ITALIA S.R.L.**,
Castelfranco Emilia (Modena) (IT)
(72) Inventor: **Marco Iotti**, Reggio Emilia (IT)
(73) Assignee: **MANITOU ITALIA S.R.L.**,
Castelfranco Emilia (IT)
(**) Term: **15 Years**

D653,833 S * 2/2012 Thompson D34/28
8,651,237 B2 * 2/2014 Pulliam E02F 3/962
182/141
D751,787 S * 3/2016 Taylor D34/28
D751,788 S * 3/2016 Taylor D34/28
D767,237 S * 9/2016 Mock D34/28
9,586,799 B2 * 3/2017 Hao B66F 17/006
D787,771 S * 5/2017 Shugen D34/28
10,029,899 B2 * 7/2018 Hao B66F 17/006
10,035,689 B2 * 7/2018 Iotti B66F 9/127
2016/0221812 A1 * 8/2016 Puzkiewicz B66F 17/006
2018/0072550 A1 * 3/2018 Clark B66F 17/006
2018/0162708 A1 * 6/2018 Pithoud B66F 11/042

(21) Appl. No.: **29/611,495**

* cited by examiner

(22) Filed: **Jul. 21, 2017**

Primary Examiner — Cynthia Ramirez

(30) **Foreign Application Priority Data**

(74) *Attorney, Agent, or Firm* — Pearne & Gordon LLP

Mar. 29, 2017 (EM) 003828664-0001

(51) **LOC (11) Cl.** **12-05**

(52) **U.S. Cl.**
USPC **D34/28**

(58) **Field of Classification Search**
USPC D34/28
CPC B66F 11/044; B66F 9/061; B66F 9/0655;
B66F 17/006; B60K 7/0015; B60Q 1/245;
B66B 5/021; B66B 5/0025
See application file for complete search history.

(57) **CLAIM**

The ornamental design for a lifting device, as shown and described.

(56) **References Cited**

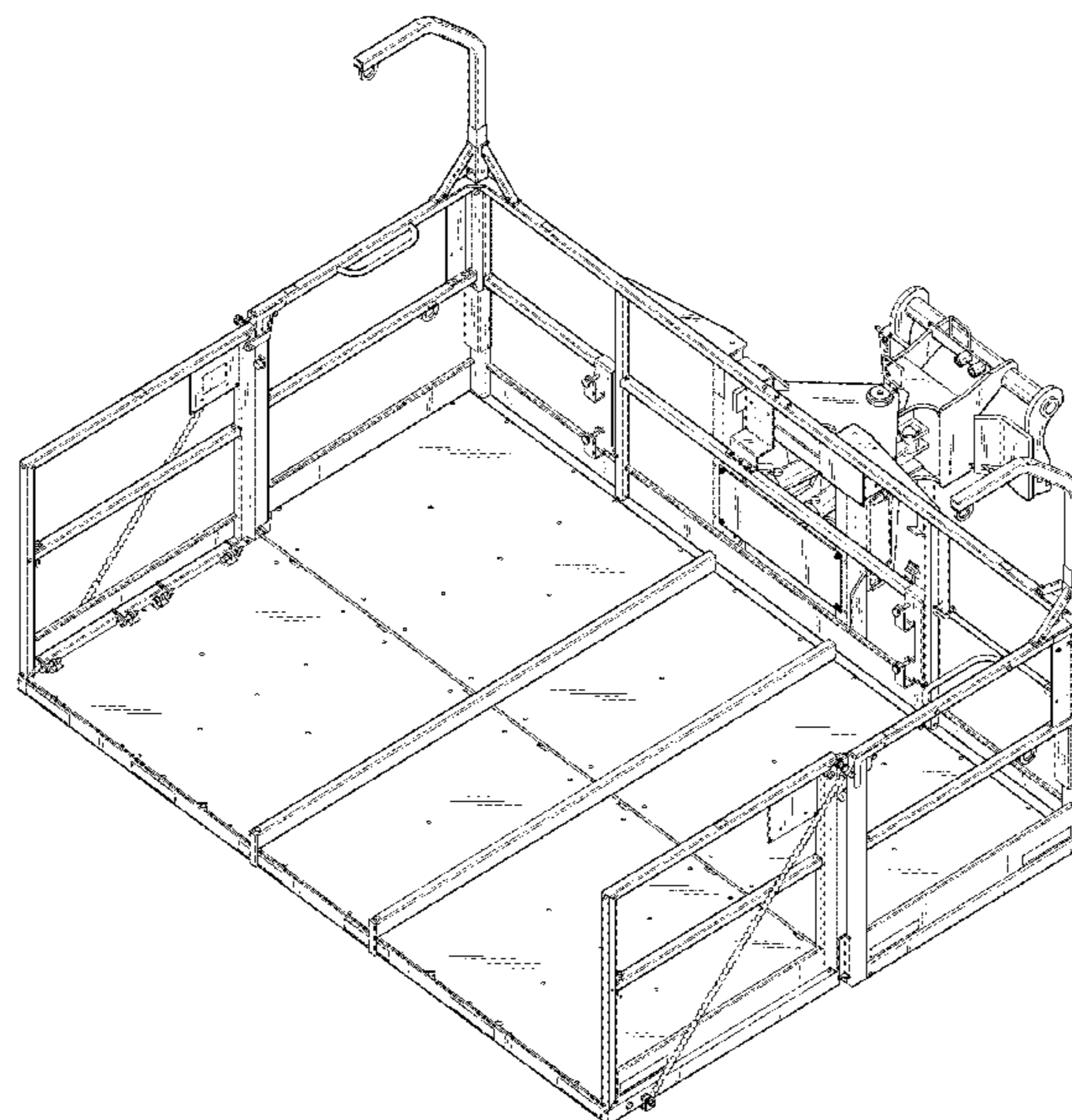
U.S. PATENT DOCUMENTS

4,185,716 A * 1/1980 Rinehart B66F 11/044
182/113
6,145,619 A * 11/2000 Risser B66F 11/044
182/113
D472,690 S * 4/2003 Grover D34/28
6,698,371 B1 * 3/2004 Stoltzfus B63B 35/58
114/61.1
D586,524 S * 2/2009 Mertes D34/28

DESCRIPTION

FIG. 1 is a top-front-left side perspective view of a lifting device in an open configuration, showing my new design; FIG. 2 is a top-front-left side perspective view of the lifting device of FIG. 1 in a closed configuration; FIG. 3 is a front elevational view of the lifting device of FIG. 2; FIG. 4 is a right side elevational view of the lifting device of FIG. 2; FIG. 5 is a back elevational view of the lifting device of FIG. 2; FIG. 6 is a top plan view of the lifting device of FIG. 2; and, FIG. 7 is a bottom plan view of the lifting device of FIG. 2. The broken lines in the drawings represent portions of the lifting device which form no part of the claimed design.

1 Claim, 7 Drawing Sheets



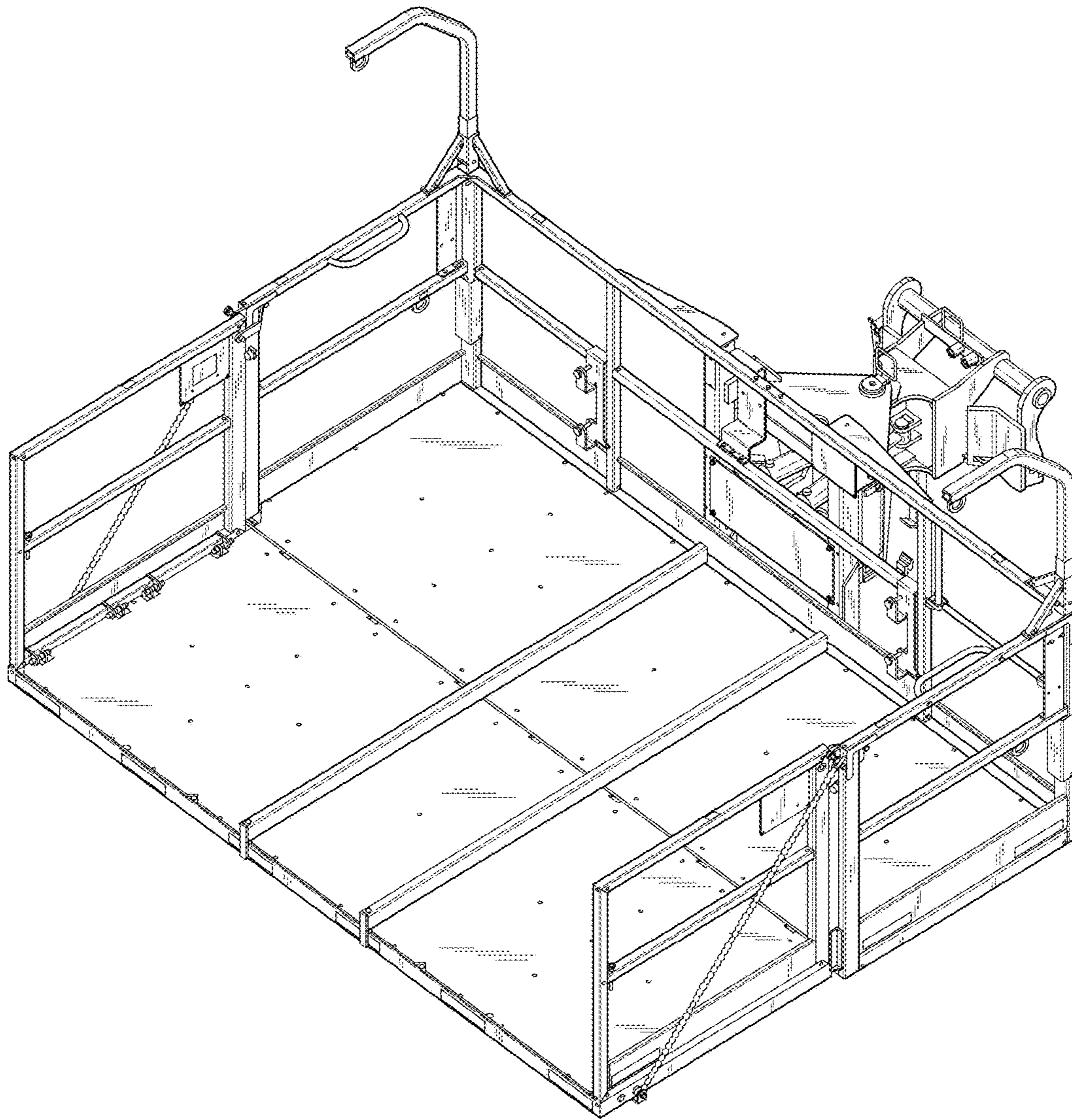


FIG. 1

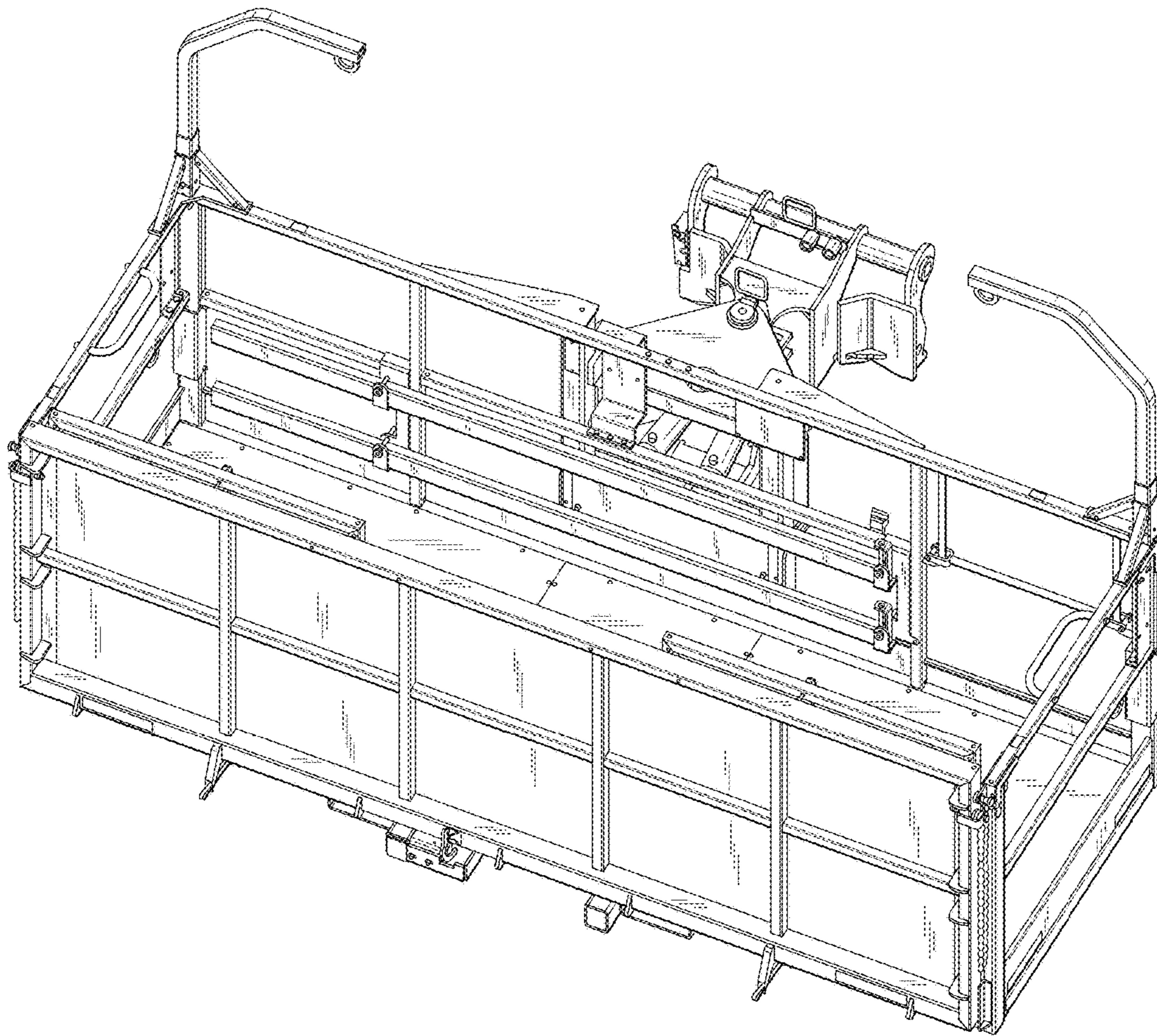


FIG. 2

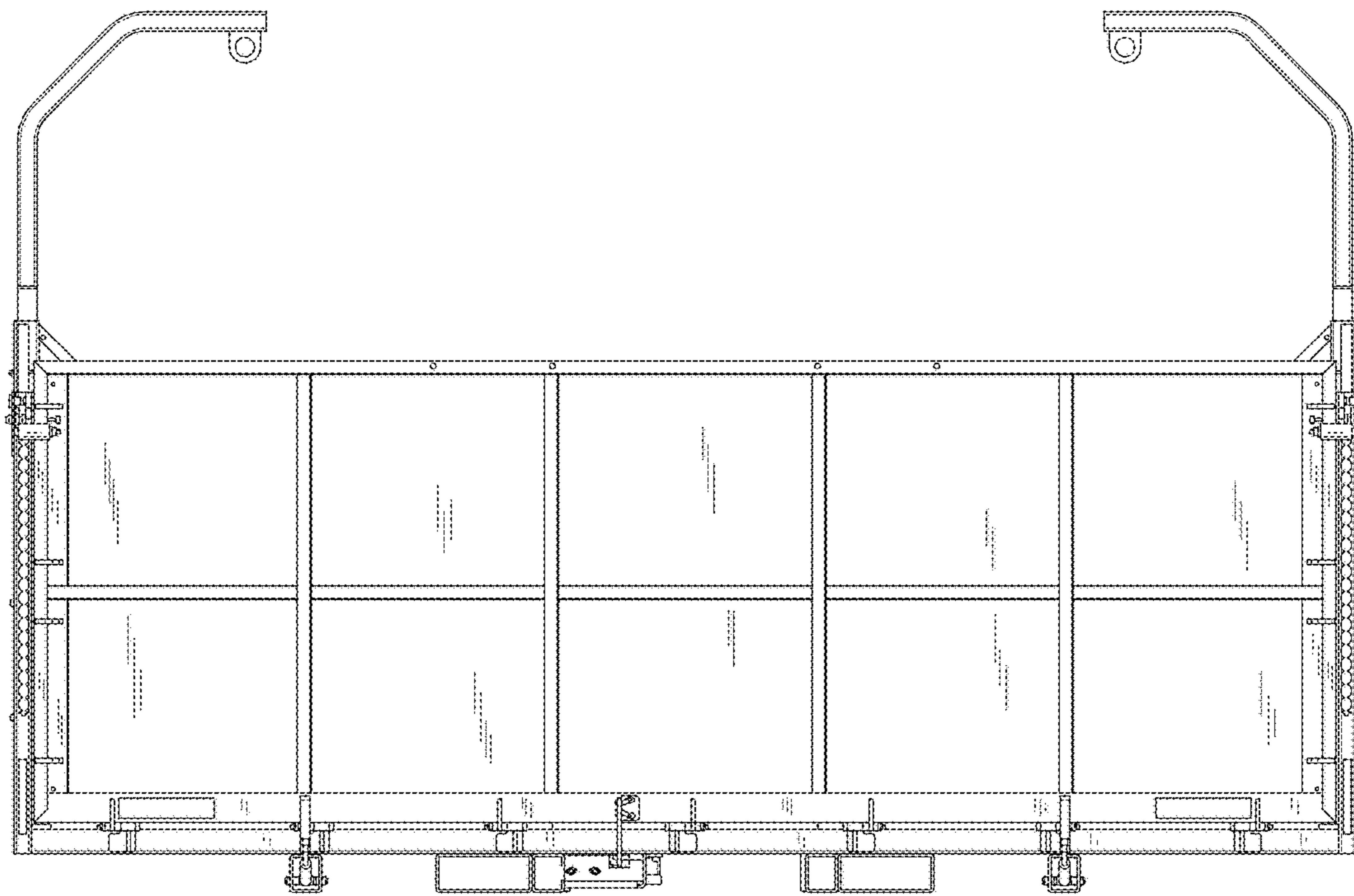


FIG. 3

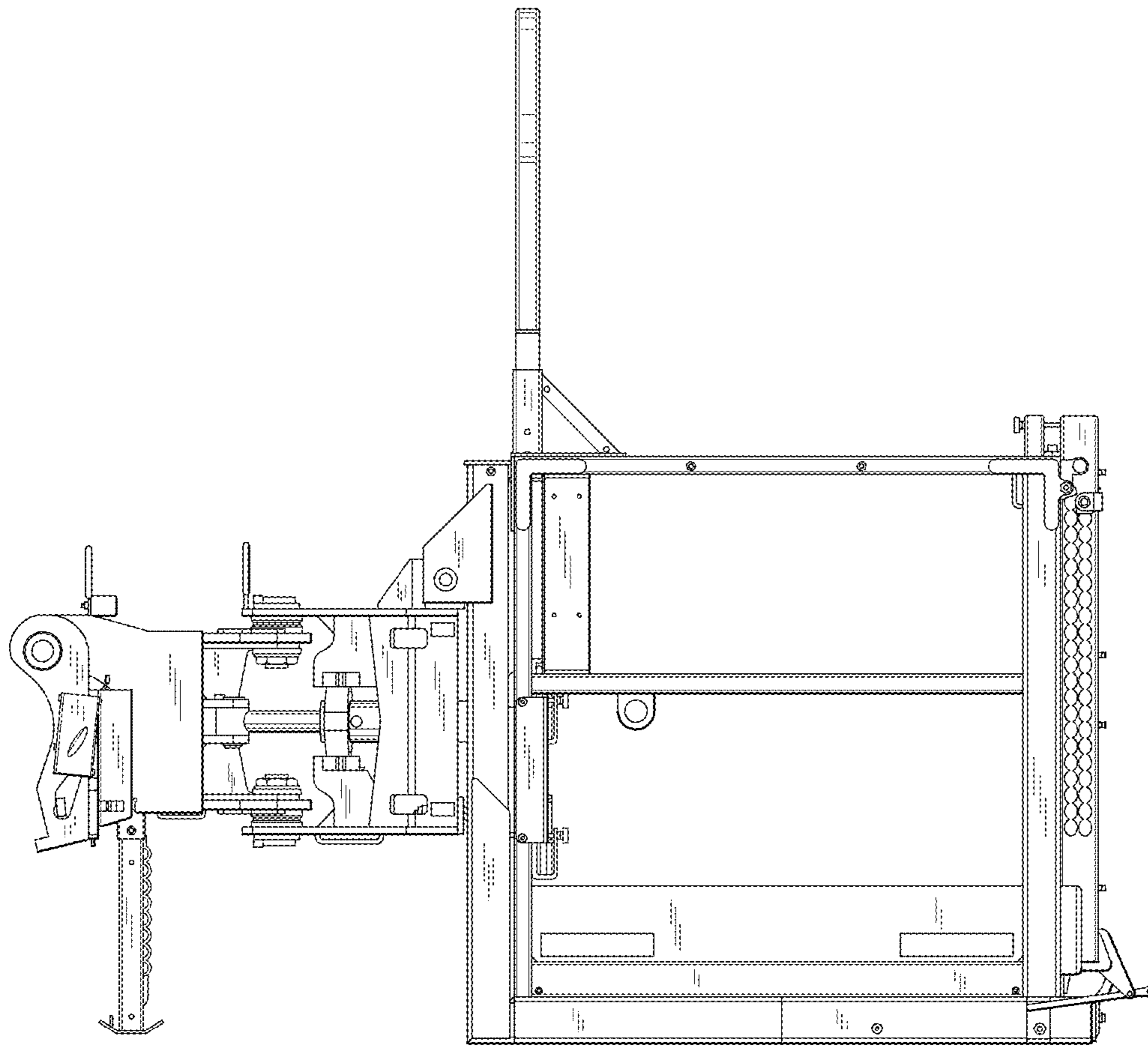


FIG. 4

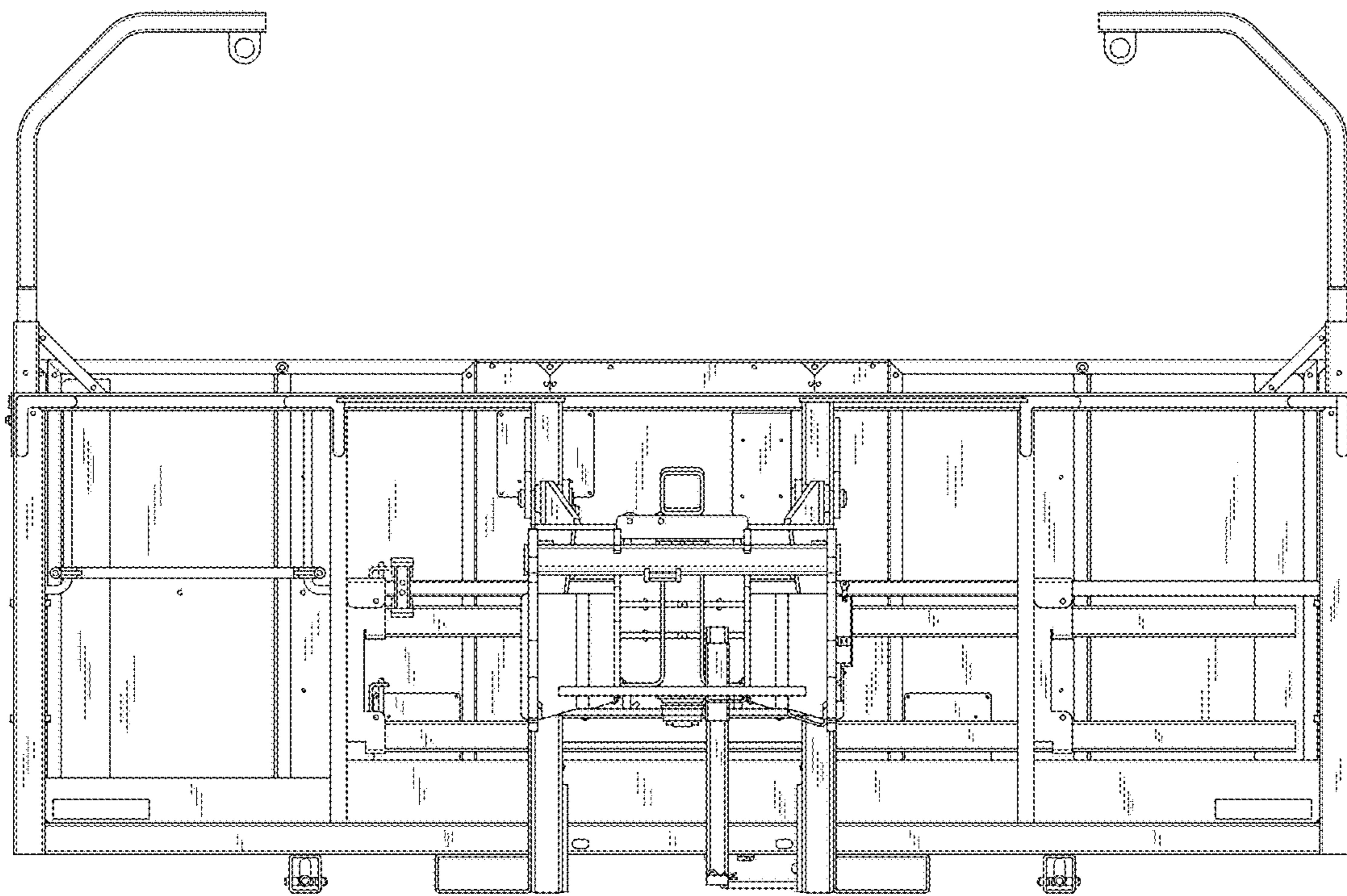


FIG. 5

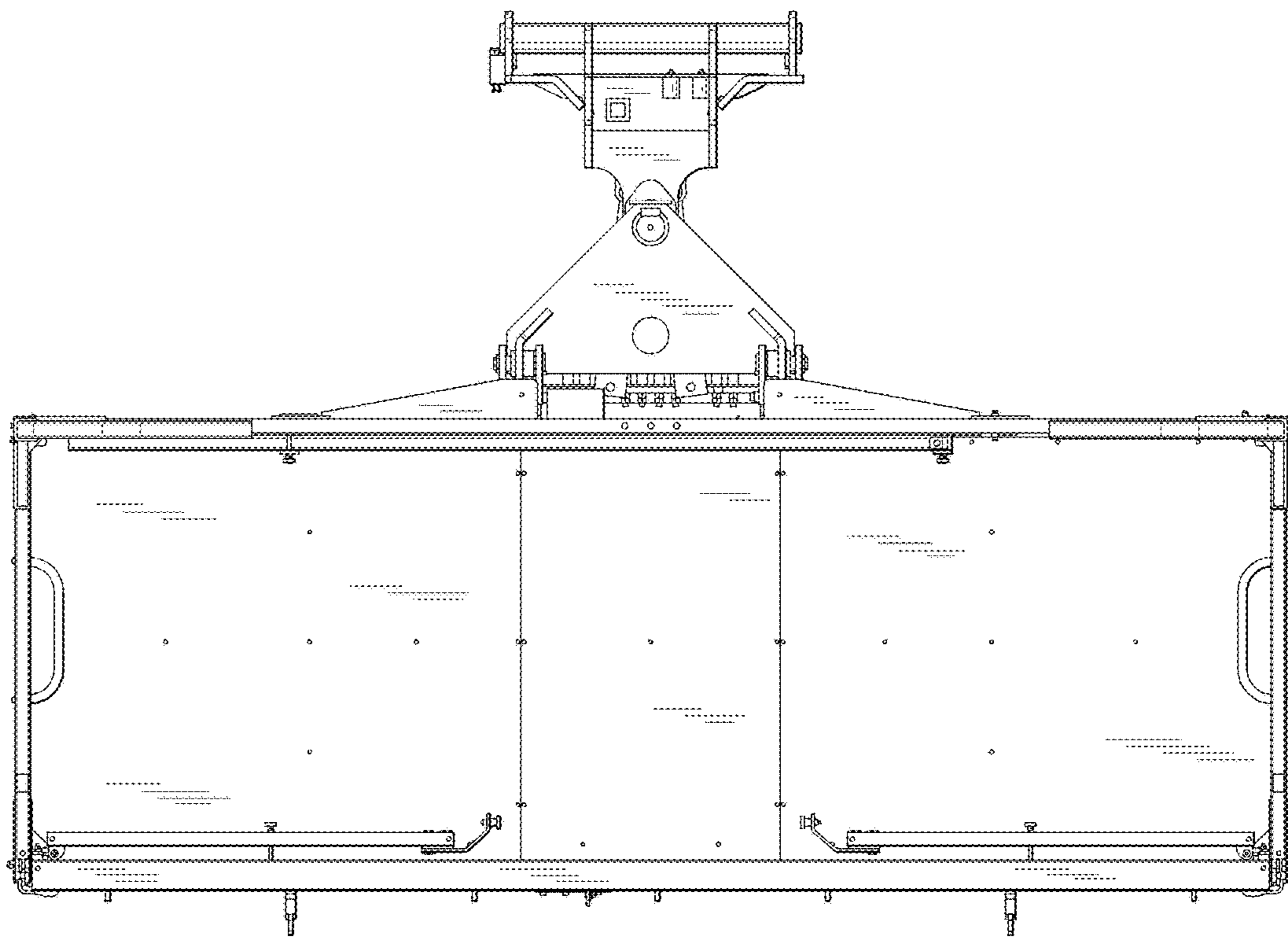


FIG. 6

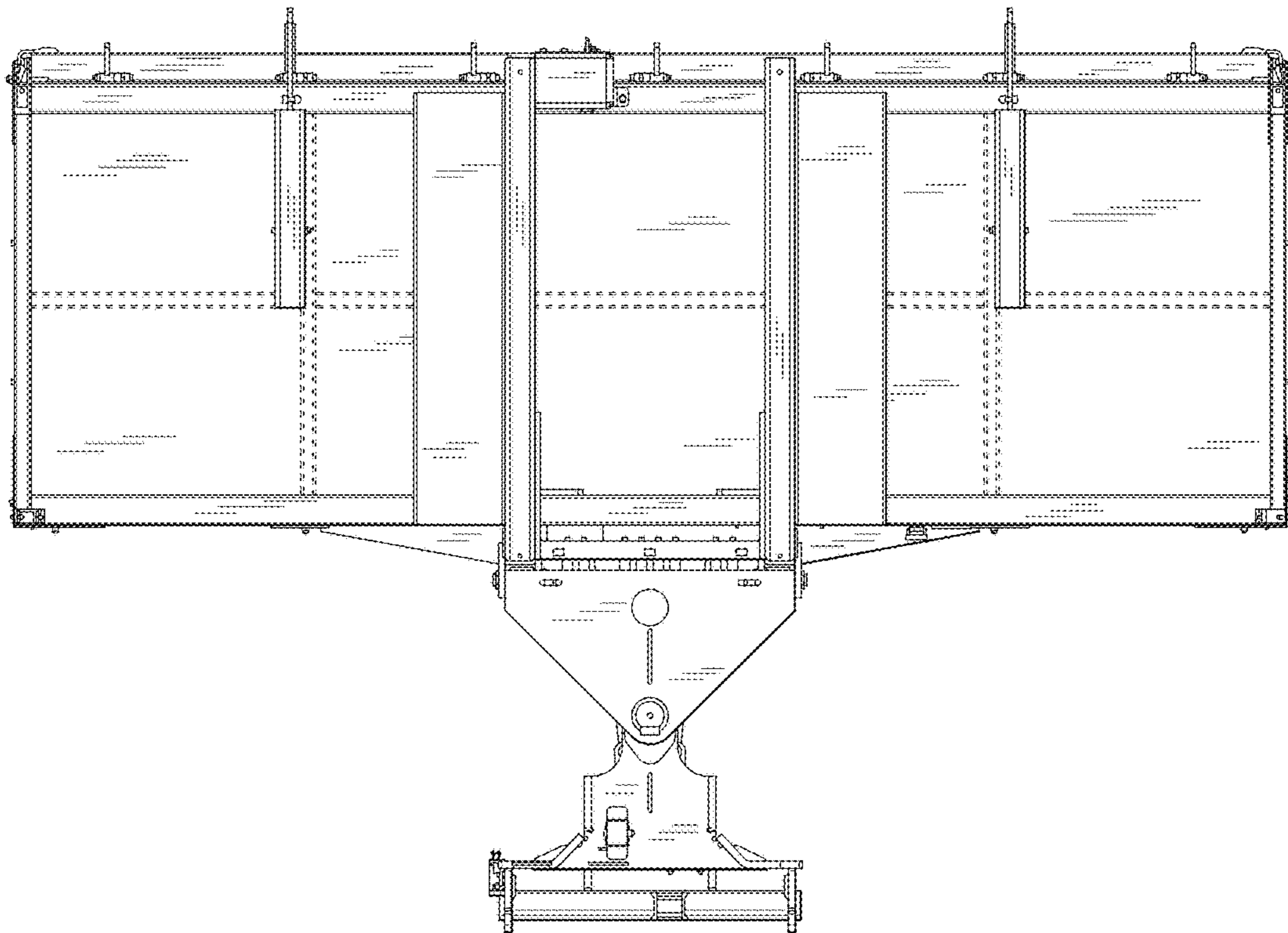


FIG. 7