



US00D844277S

(12) **United States Design Patent** (10) **Patent No.:** **US D844,277 S**
Olson (45) **Date of Patent:** **** Mar. 26, 2019**

(54) **FRONT-LOADED INSULATED TRANSPORT CABINET**

D637,373 S * 5/2011 Benning D34/19
D647,751 S 11/2011 Olson
D679,467 S * 4/2013 Nicholson D34/19

(Continued)

(71) Applicant: **InterMetro Industries Corporation,**
Wilkes-Barre, PA (US)

OTHER PUBLICATIONS

(72) Inventor: **Jeffrey C. Olson,** Dallas, PA (US)

Google shopping search result “Carlisle PC600N59—Food Carrier, Slate Blue, End Loader”, Reviewed first on Sep. 24, 2012. ([https://www.google.com/shopping/product/12447416843914247339?q=mightylite%20pan&rlz=1C1GGRV_enUS768US768&biw=1536&bih=871&sa=X&ved=0ahUKEwjD0K3_9_PYAhUS0FMKHXcoDgYQrRIIVA&prds=hsec:reviews\).](https://www.google.com/shopping/product/12447416843914247339?q=mightylite%20pan&rlz=1C1GGRV_enUS768US768&biw=1536&bih=871&sa=X&ved=0ahUKEwjD0K3_9_PYAhUS0FMKHXcoDgYQrRIIVA&prds=hsec:reviews).*)*)

(Continued)

(73) Assignee: **INTERMETRO INDUSTRIES CORPORATION,** Wilkes-Barre, PA (US)

(**) Term: **15 Years**

(21) Appl. No.: **29/593,335**

Primary Examiner — Jennifer Rivard

(22) Filed: **Feb. 8, 2017**

Assistant Examiner — April Rivas

(51) **LOC (11) Cl.** **12-02**

(74) *Attorney, Agent, or Firm* — Harness, Dickey & Pierce, P.L.C.

(52) **U.S. Cl.**

USPC **D34/19; D7/605**

(58) **Field of Classification Search**

USPC D7/605, 607, 608, 630, 629, 703;
D3/273, 276, 279, 282, 284, 289, 902,
D3/901, 274; D34/19

CPC B65D 81/3813; B65D 81/3823; B65D
81/3888; B65D 81/3816; A45C 11/20;
F25B 19/00

See application file for complete search history.

(57) **CLAIM**

The ornamental design for a front-loaded insulated transport cabinet, as shown and described.

DESCRIPTION

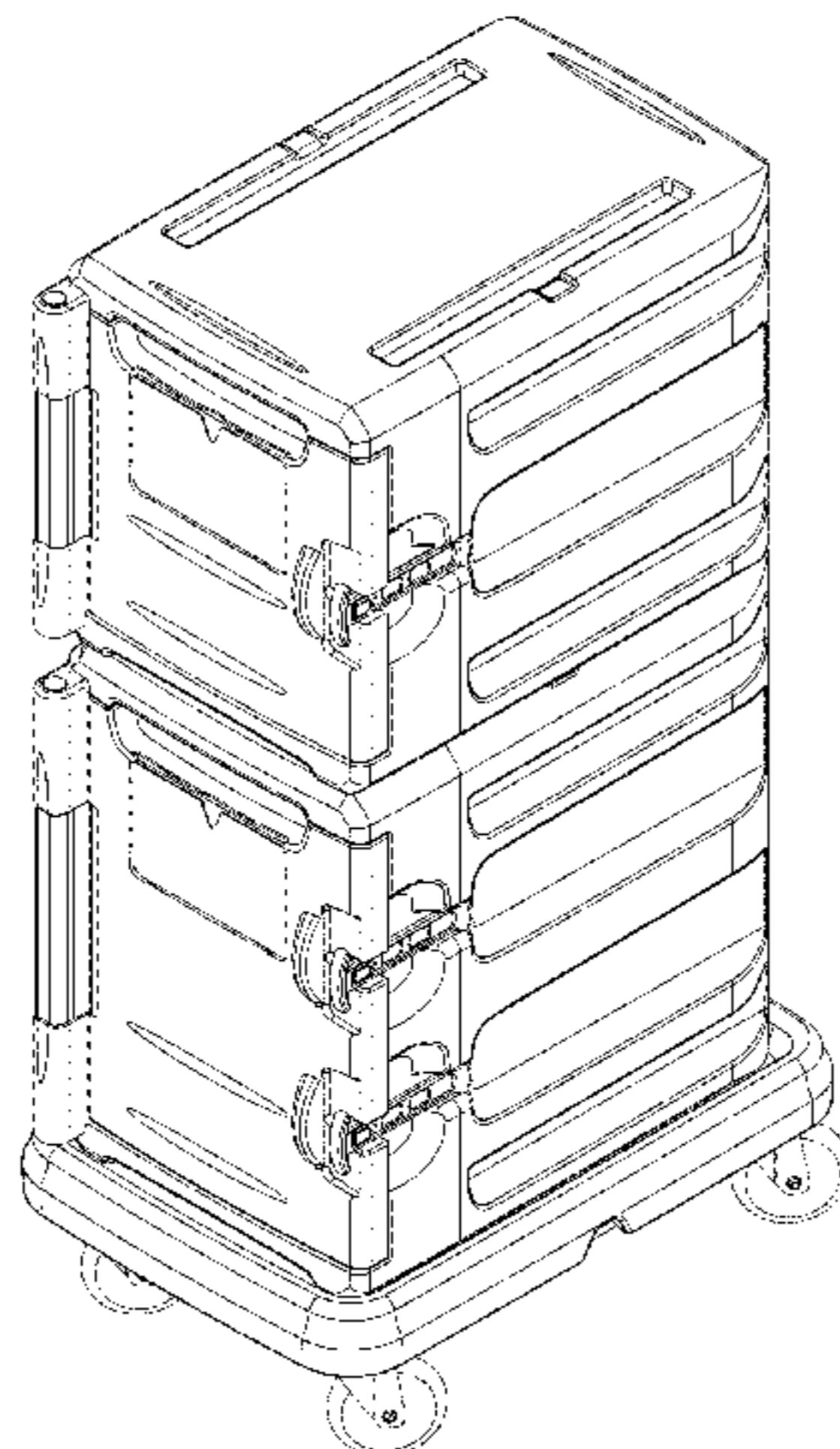
(56) **References Cited**

U.S. PATENT DOCUMENTS

4,845,959 A * 7/1989 Magee B65D 81/3816
62/457.1
D357,600 S * 4/1995 Chen D34/19
5,697,500 A * 12/1997 Walker B65D 21/0212
206/507
D393,128 S * 3/1998 Maddux D34/14
D398,727 S * 9/1998 Maddux D34/19
5,890,613 A * 4/1999 Williams A45C 7/0045
220/23.4
D440,369 S * 4/2001 LaFollette, Jr. D34/19
D573,400 S 7/2008 Olson
D605,899 S * 12/2009 Meether D7/605

FIG. 1 is an isometric view of the front-loaded insulated transport cabinet of the disclosure;
FIG. 2 is a front view of the front-loaded insulated transport cabinet of FIG. 1;
FIG. 3 is a back view of the front-loaded insulated transport cabinet of FIG. 1;
FIG. 4 is a top view of the front-loaded insulated transport cabinet of FIG. 1;
FIG. 5 is a bottom view of the front-loaded insulated transport cabinet of FIG. 1;
FIG. 6 is a right side view of the front-loaded insulated transport cabinet of FIG. 1; and,
FIG. 7 is a left side view of the front-loaded insulated transport cabinet of FIG. 1.

(Continued)



The broken lines in the drawings represent portions of the front-loaded insulated transport cabinet that form no part of the claimed design.

2013/0270988 A1 10/2013 Nicholson
 2013/0307387 A1* 11/2013 Dufoure B25H 1/14
 312/249.8
 2016/0370082 A1 12/2016 Olivo

1 Claim, 6 Drawing Sheets

OTHER PUBLICATIONS

(56)

References Cited

U.S. PATENT DOCUMENTS

D679,468 S * 4/2013 Nicholson D34/19
 D697,685 S * 1/2014 Maddux D34/19
 D723,237 S * 2/2015 Maddux D34/12
 D767,230 S 9/2016 Olson
 D781,583 S * 3/2017 Bowen D3/279
 2003/0150768 A1* 8/2003 Dege A45C 11/20
 206/545
 2006/0070814 A1 4/2006 Hu
 2011/0220531 A1* 9/2011 Meether B62B 3/02
 206/508
 2012/0104001 A1* 5/2012 Kulzer B65D 19/42
 220/592.25

Metro, "Mightylite Insulated Pan Carriers", Accessed Jan. 25, 2018. (<http://www.metro.com/mightylite-pan-carriers>).*
 Google image search results for "insulated food cart". Search made on Jan. 25, 2018. (https://www.google.com/search?q=insulated+food+cart&rlz=1C1GGRV_enUS768US768&source=lnms&tbm=isch&sa=X&ved=0ahUKEwjewoDW9_PYAhXB21MKHbt3BIMQ_AUICygC&biw=1536&bih=871#imgrc=).*
 "Half-Height Heated Transport Cabinets* TC90 FlavorHold™ Series" InterMetro [Catalog], InterMetro Industries Corporation, Oct. 2011, two pages.
 "Metro C5 3 Series Insulation Armour™ Heated Holding and Proofing Cabinets" InterMetro [Catalog], InterMetro Industries Corporation, May 2012, two pages.
 "Metro C5 4 Series Insulation Armour™ Plus Transport Cabinets" InterMetro [Catalog], InterMetro Industries Corporation, May 2016, two pages.
 "Metro C5 T-Series Transport Armour™ Heavy-Duty Heated Holding Cabinet" InterMetro [Catalog], InterMetro Industries Corporation, Feb. 2011, two pages.

* cited by examiner

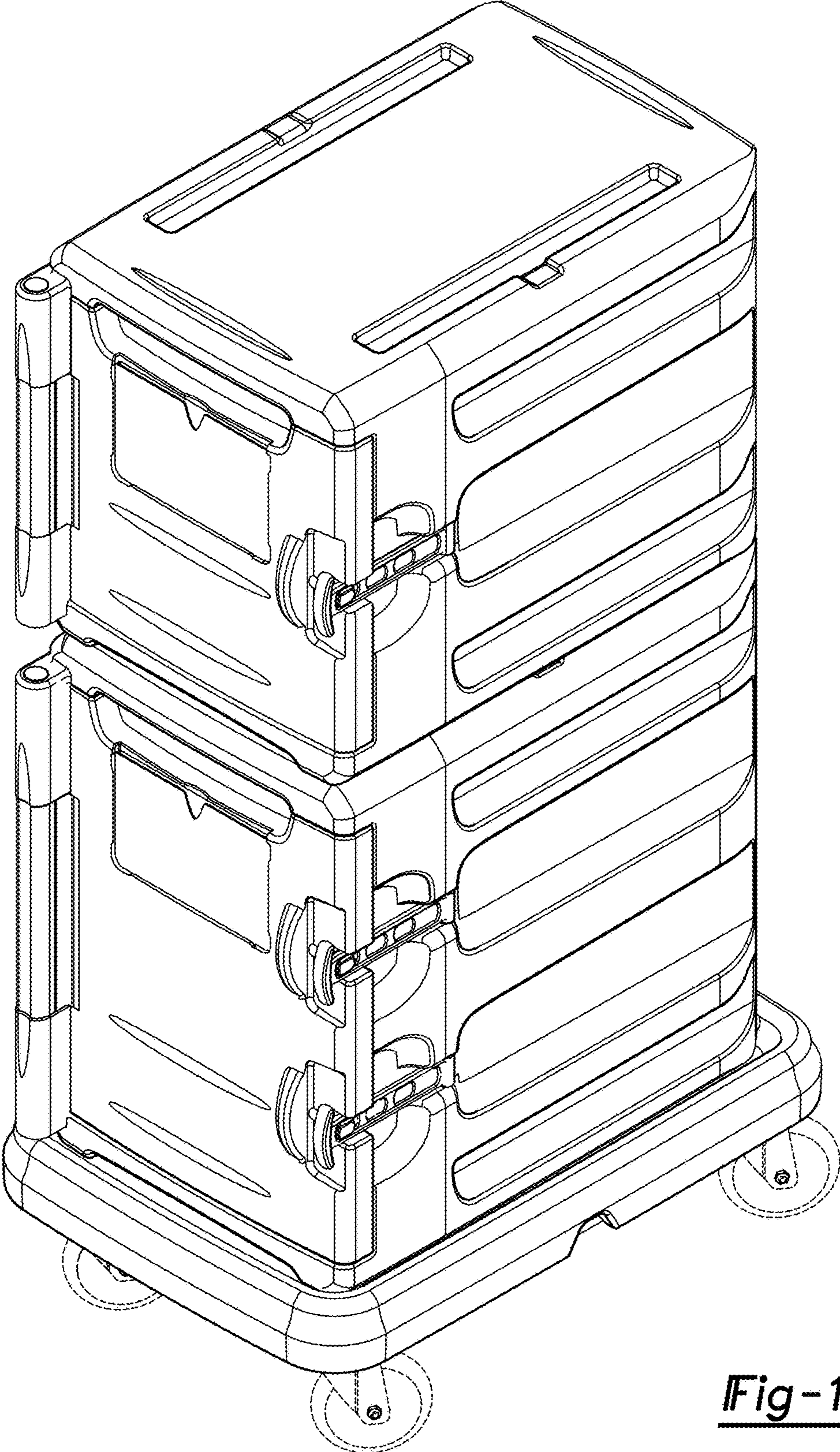


Fig-1

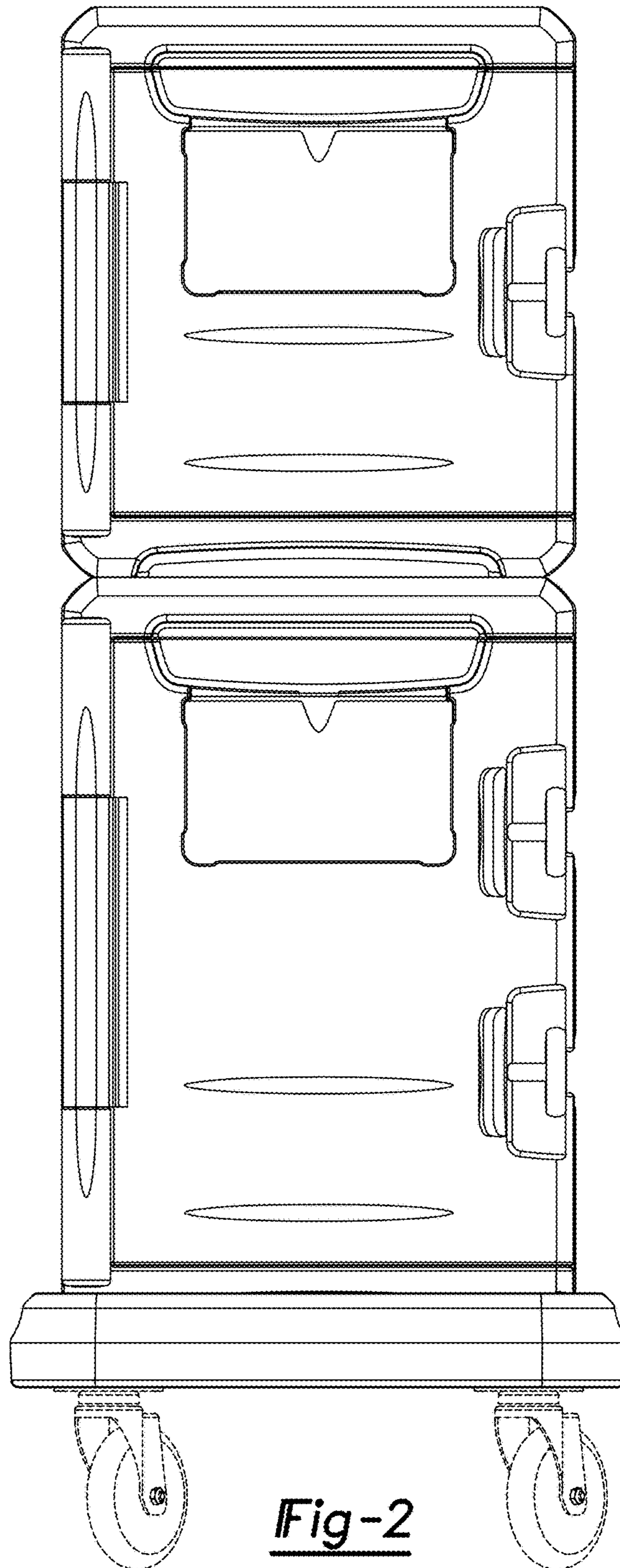


Fig-2

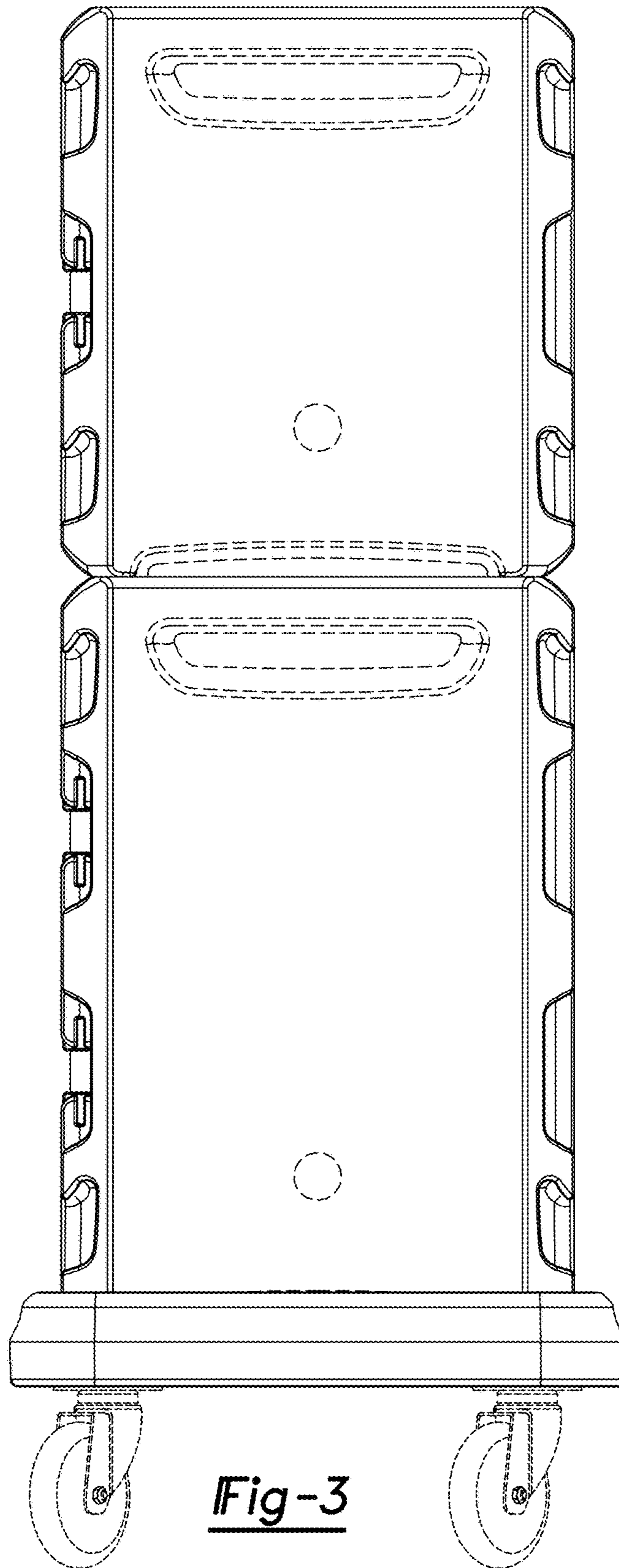


Fig-3

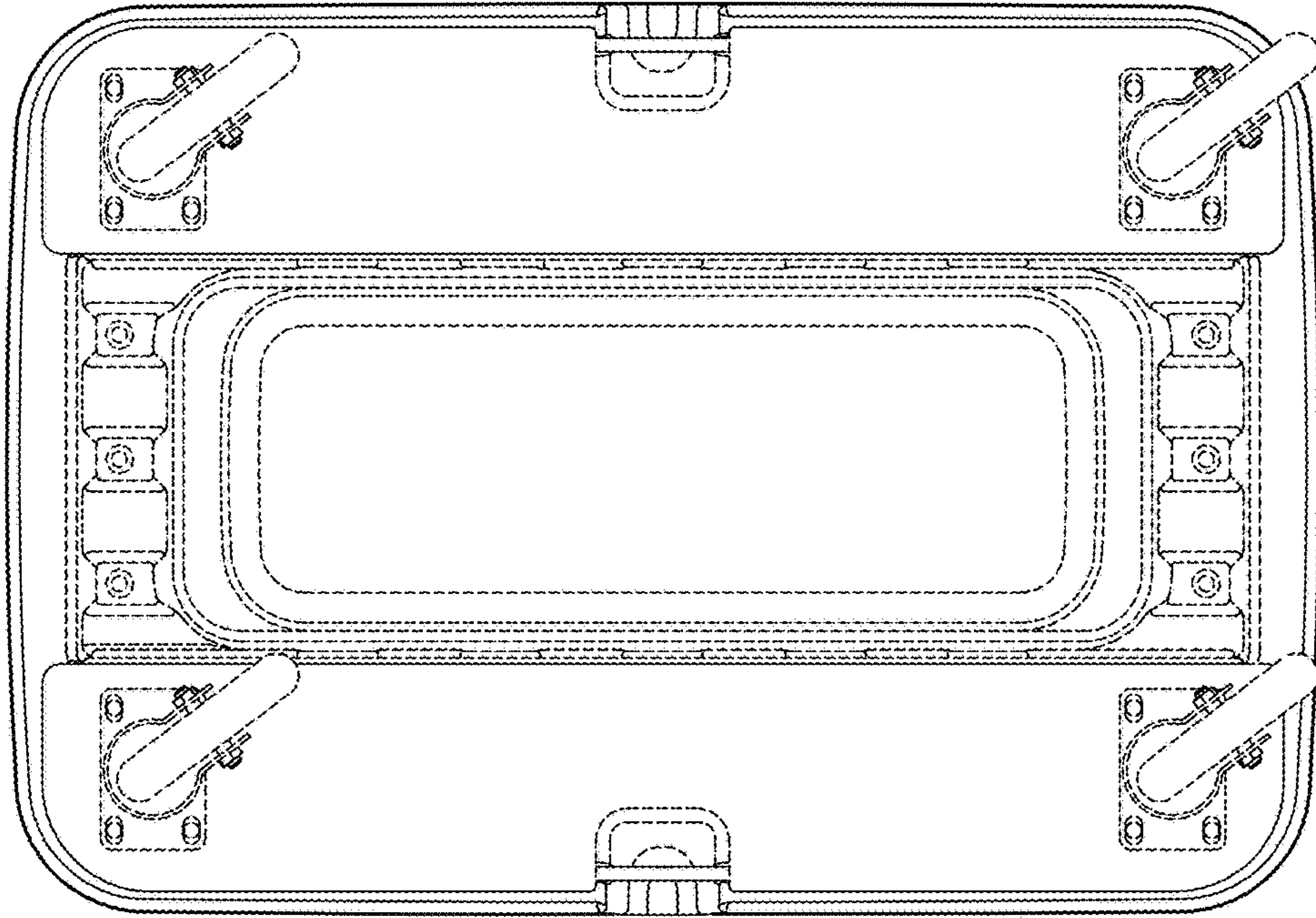


Fig-5

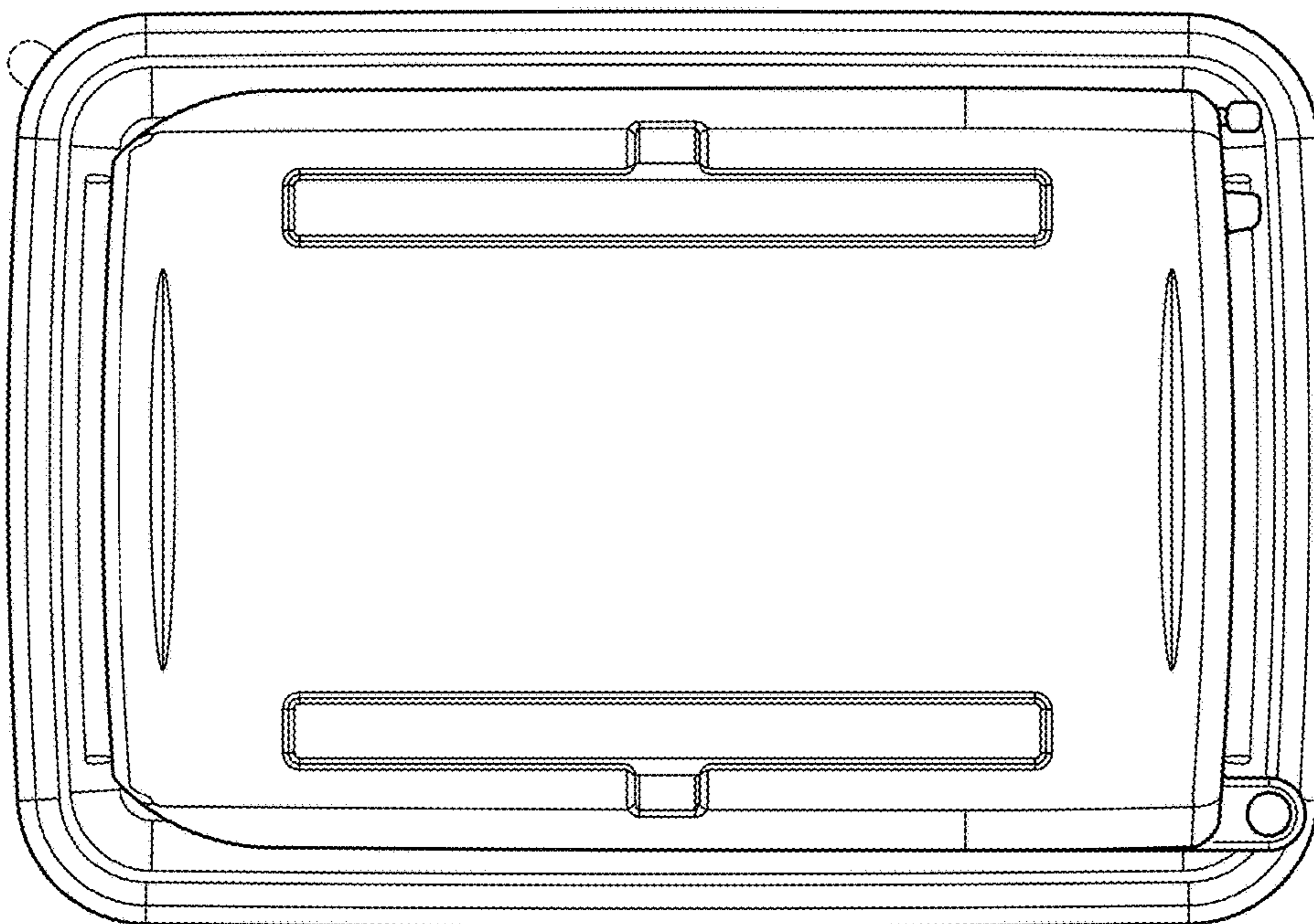


Fig-4

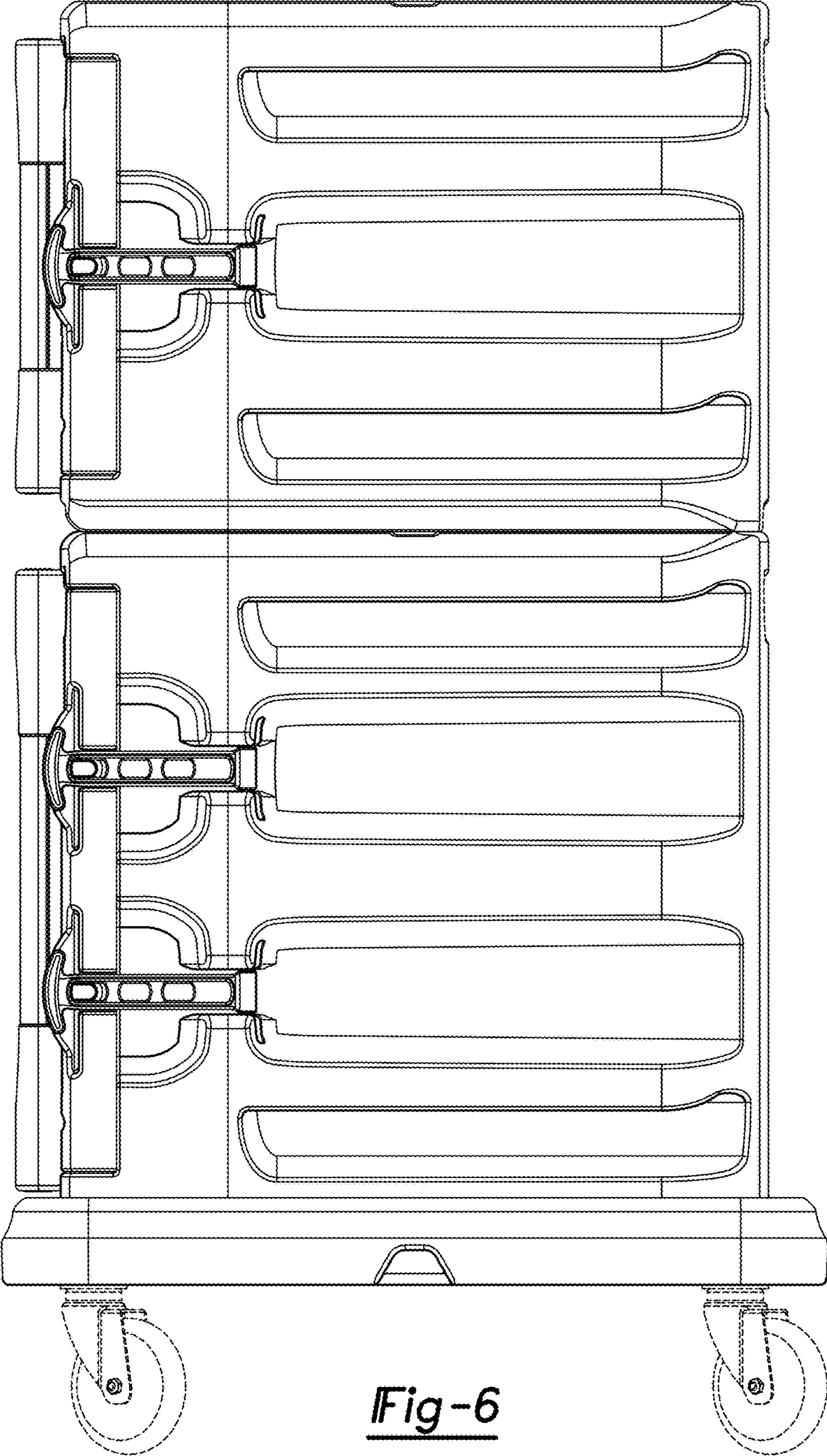


Fig-6

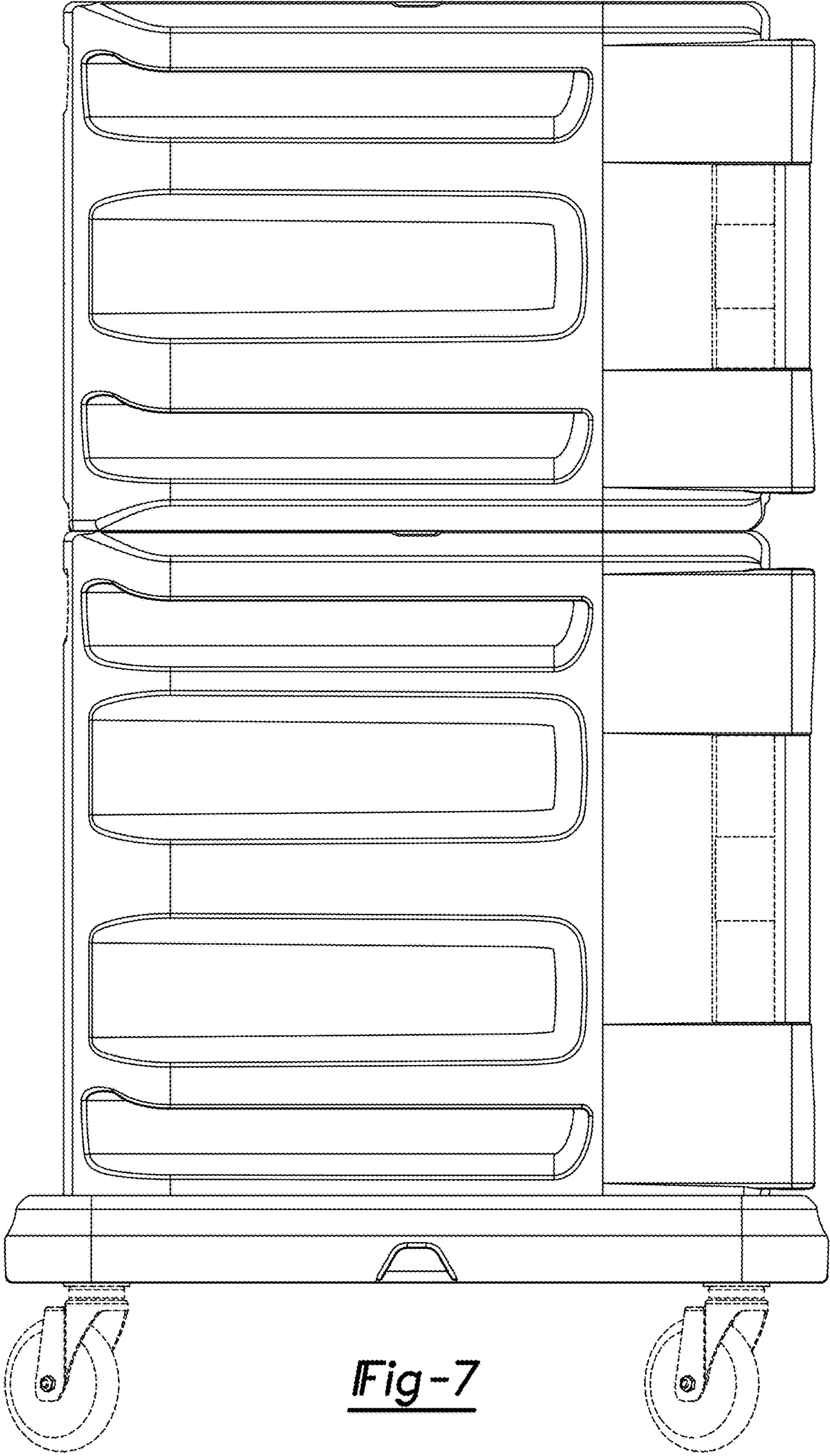


Fig-7