



US00D844276S

(12) **United States Design Patent**
Schlenker

(10) **Patent No.:** **US D844,276 S**
(45) **Date of Patent:** **** Mar. 26, 2019**

- (54) **TRANSPORT CART**
- (71) Applicant: **FMT Swiss AG Fluid Management Technologies Swiss AG**, Cham (CH)
- (72) Inventor: **Rudolf Schlenker**, Weggis (CH)
- (73) Assignee: **FMT Swiss AG Fluid Management Technologies Swiss AG**, Cham (CH)
- (**) Term: **15 Years**
- (21) Appl. No.: **29/589,096**
- (22) Filed: **Dec. 28, 2016**
- (30) **Foreign Application Priority Data**

- D465,313 S * 11/2002 Le Marchand B62B 1/00 D34/17
- D566,925 S * 4/2008 Wu D34/12
- D615,724 S * 5/2010 Girard B62B 5/0069 D24/185
- D633,682 S * 3/2011 Schmid A01K 1/0035 D34/26
- D655,880 S * 3/2012 Giampavolo B25H 1/16 D34/12
- D747,063 S * 1/2016 Hermosillo B62B 1/00 D34/14
- D770,716 S * 11/2016 Giampavolo B23D 57/0092 D34/17
- D781,020 S * 3/2017 Wyse B08B 3/024 D34/16
- D809,237 S * 1/2018 Clement B62B 3/106 D34/18
- D810,378 S * 2/2018 Walter D34/12
- 2012/0286485 A1 * 11/2012 Giampavolo B62B 3/106 280/33.992

- Jun. 29, 2016 (EM) 003254721
- (51) **LOC (11) Cl.** **12-02**
- (52) **U.S. Cl.**
USPC **D34/12; D34/14; D34/17**
- (58) **Field of Classification Search**
USPC D34/12, 13-27
CPC B62B 3/00; B62B 3/14; B62B 3/1496;
B62B 3/1476; B62B 3/16; B62B 3/1472;
B62B 2501/067; B62B 1/00
See application file for complete search history.

* cited by examiner

Primary Examiner — Cynthia Ramirez
(74) *Attorney, Agent, or Firm* — Volpe and Koenig, P.C.

(56) **References Cited**

U.S. PATENT DOCUMENTS

- D196,501 S * 10/1963 Clement B65D 11/14 D34/15
- D230,142 S * 1/1974 Mulfner B60B 3/00 D34/14
- D304,111 S * 10/1989 Mehalick D34/12
- 5,072,955 A * 12/1991 Holland B25H 1/16 182/116
- D365,904 S * 1/1996 Adamson B60B 33/00 280/33.993
- 6,131,936 A * 10/2000 Eguchi B60B 33/00 104/242

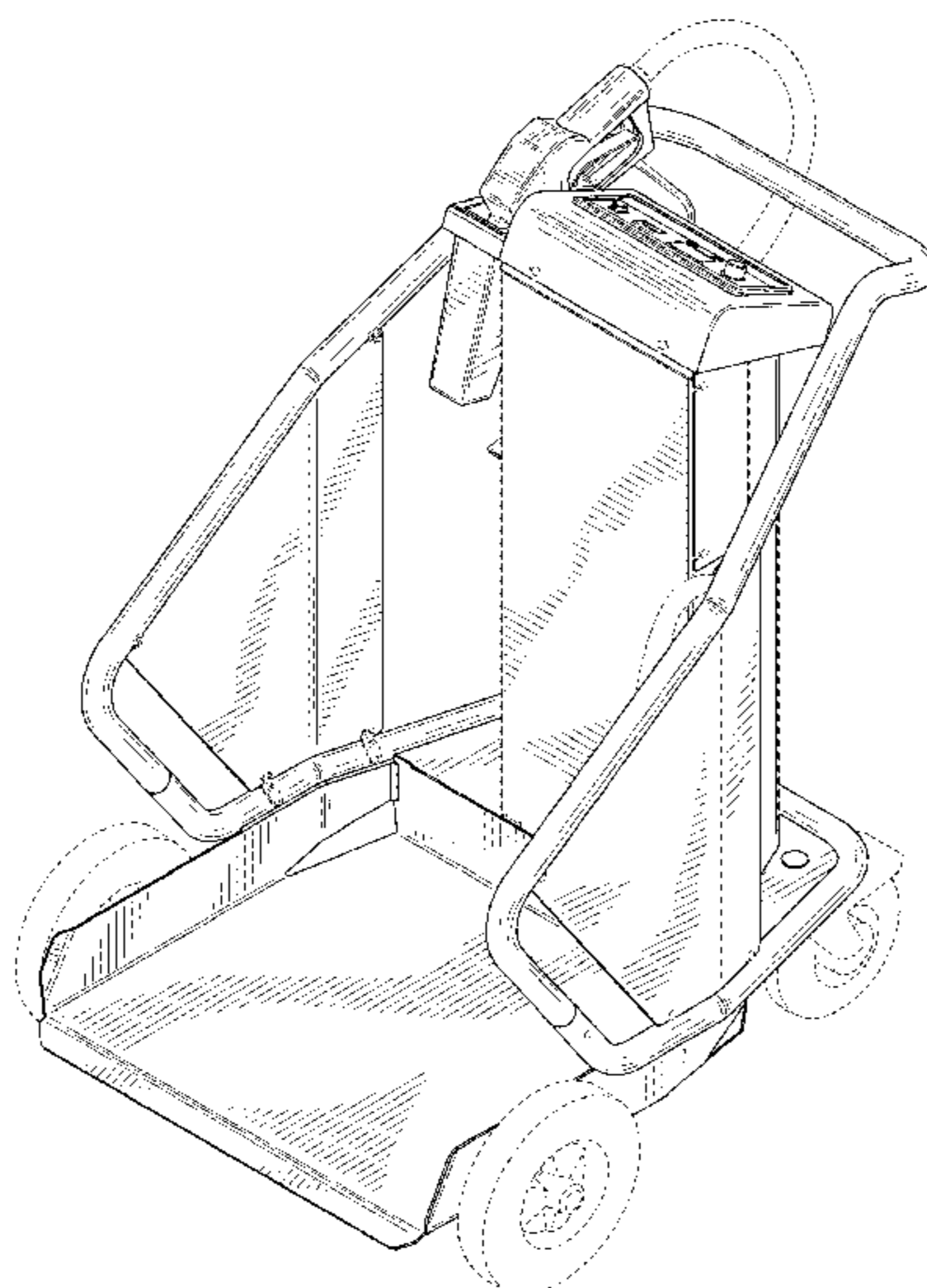
(57) **CLAIM**

The ornamental design for a transport cart, as shown and described.

DESCRIPTION

FIG. 1 is a perspective view of a transport cart in accordance with my design;
FIG. 2 is a front elevational view thereof;
FIG. 3 is a rear elevational view thereof;
FIG. 4 is a right side elevational view thereof;
FIG. 5 is a left side elevational view thereof;
FIG. 6 is a top plan view thereof; and,
FIG. 7 is a bottom plan view thereof.
The broken lines represent portions of the transport cart which are not part of the claimed design.

1 Claim, 7 Drawing Sheets



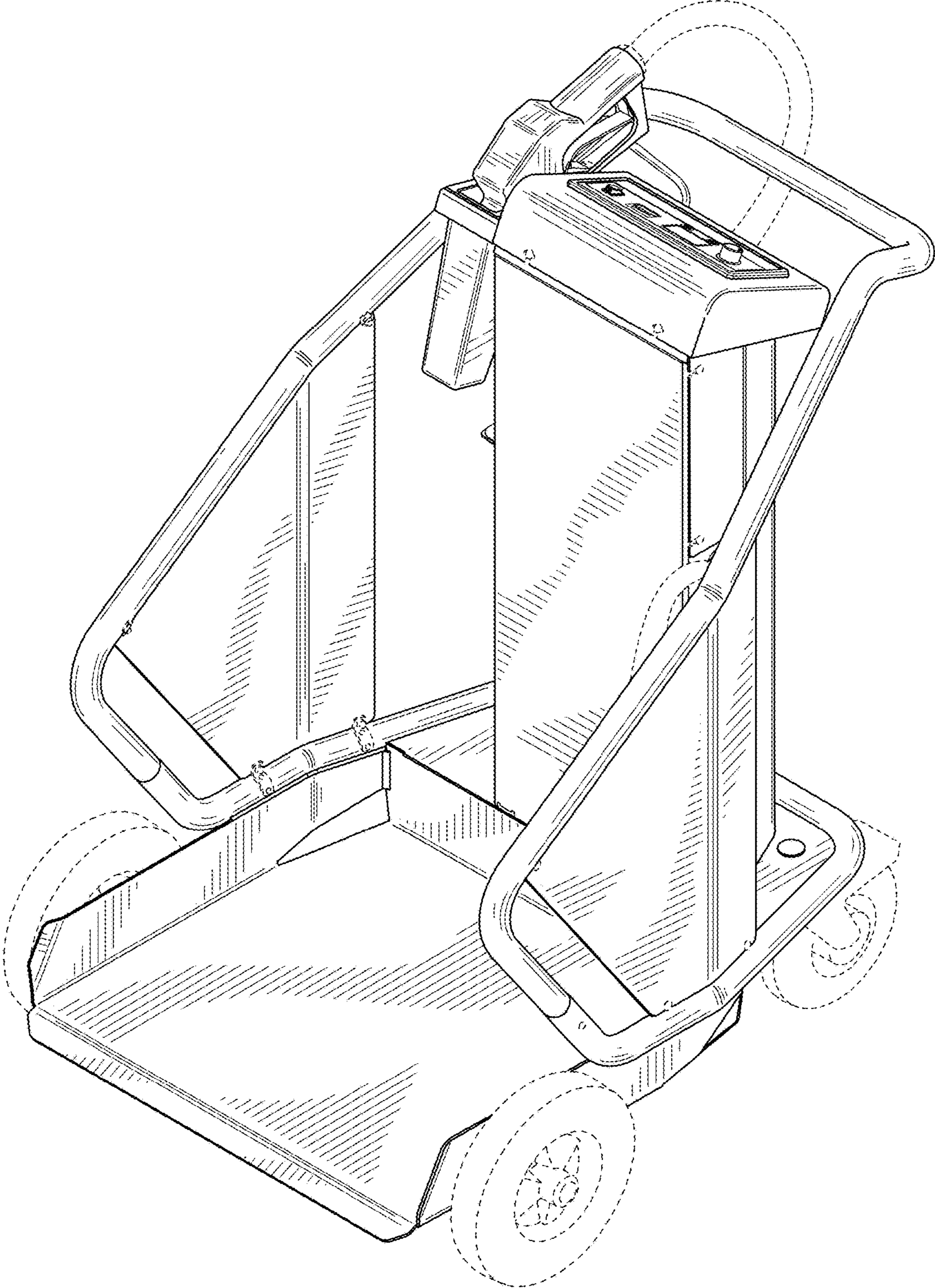


Fig. 1

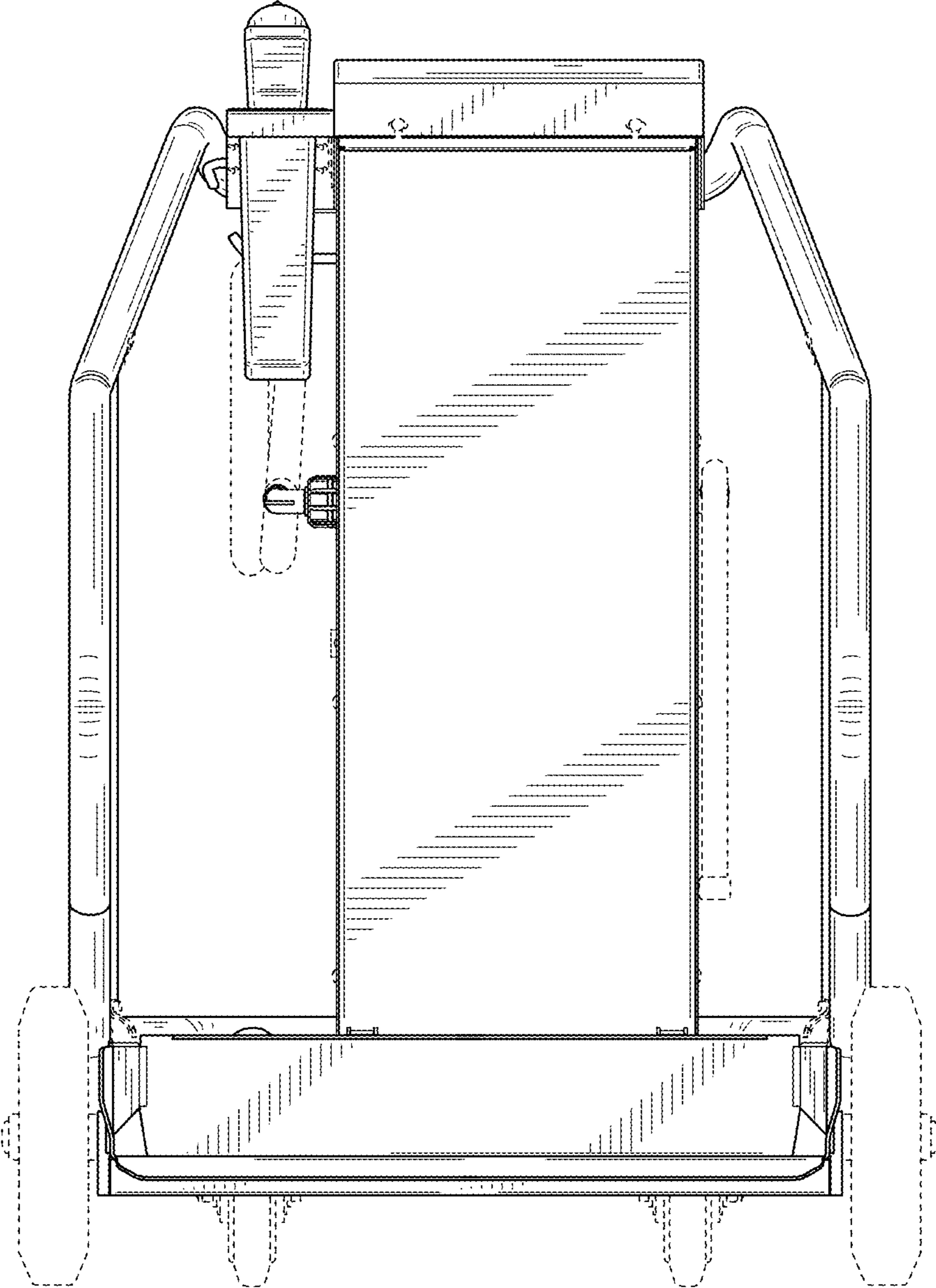


Fig. 2

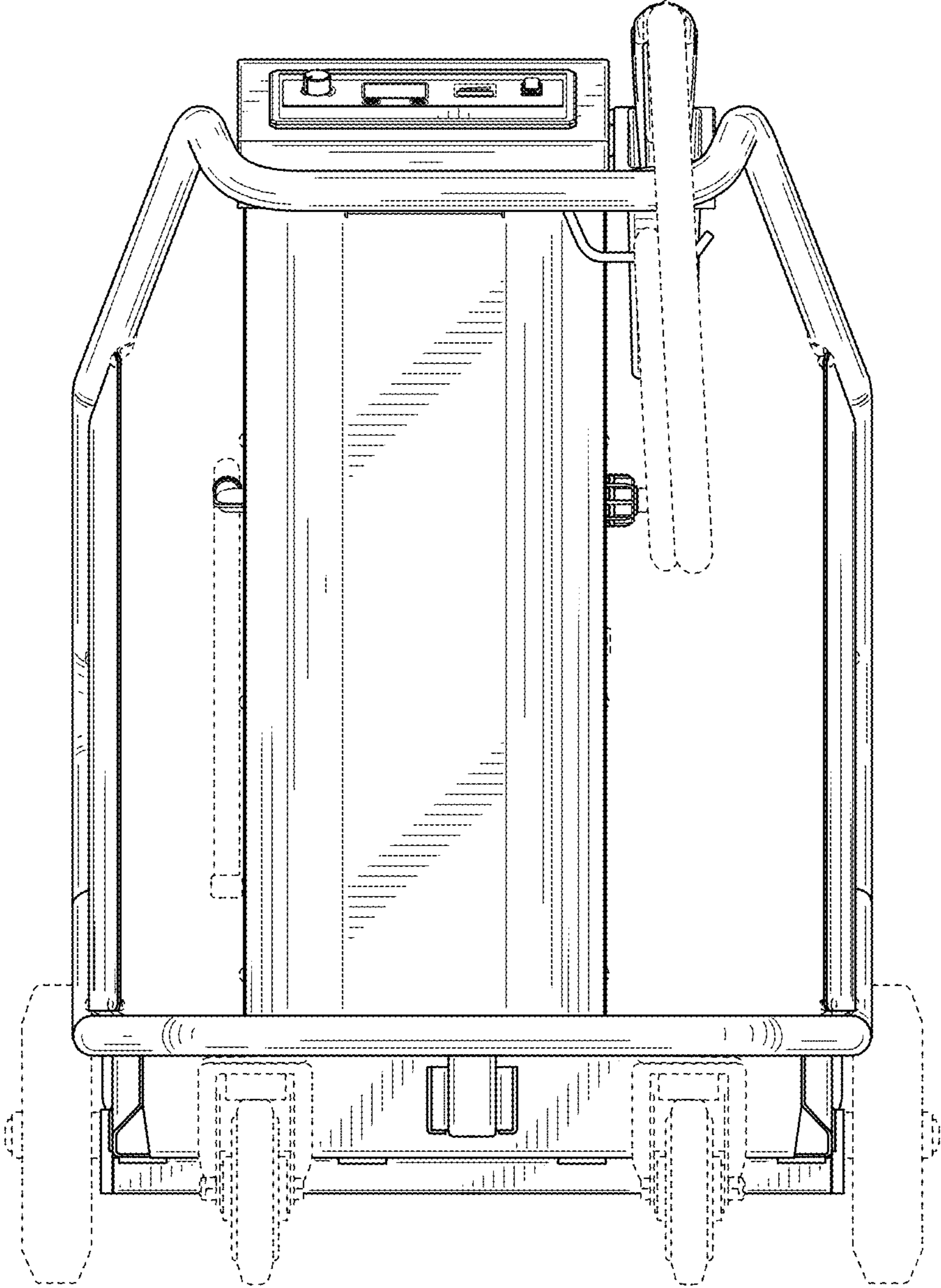


Fig. 3

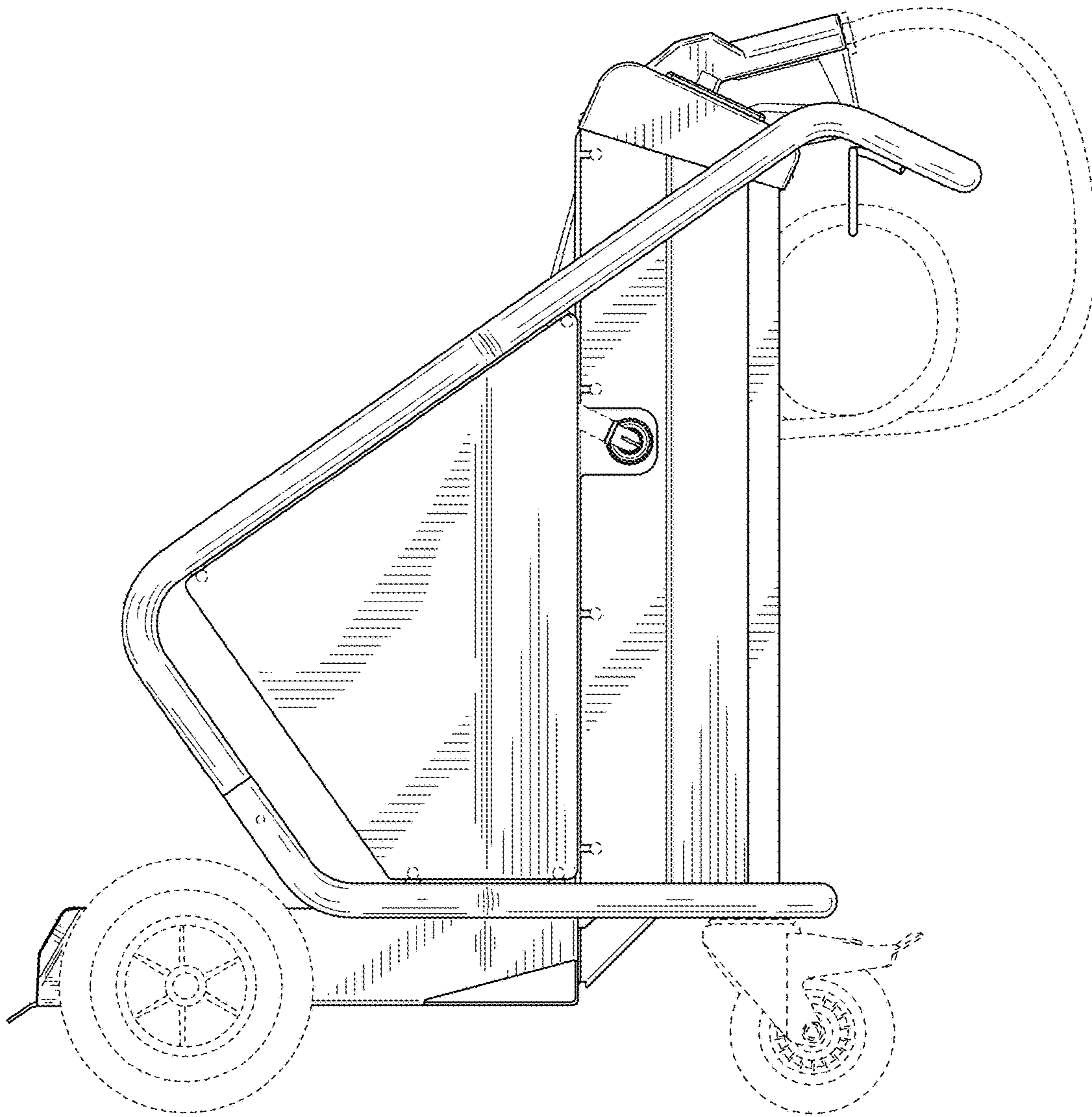


Fig. 4

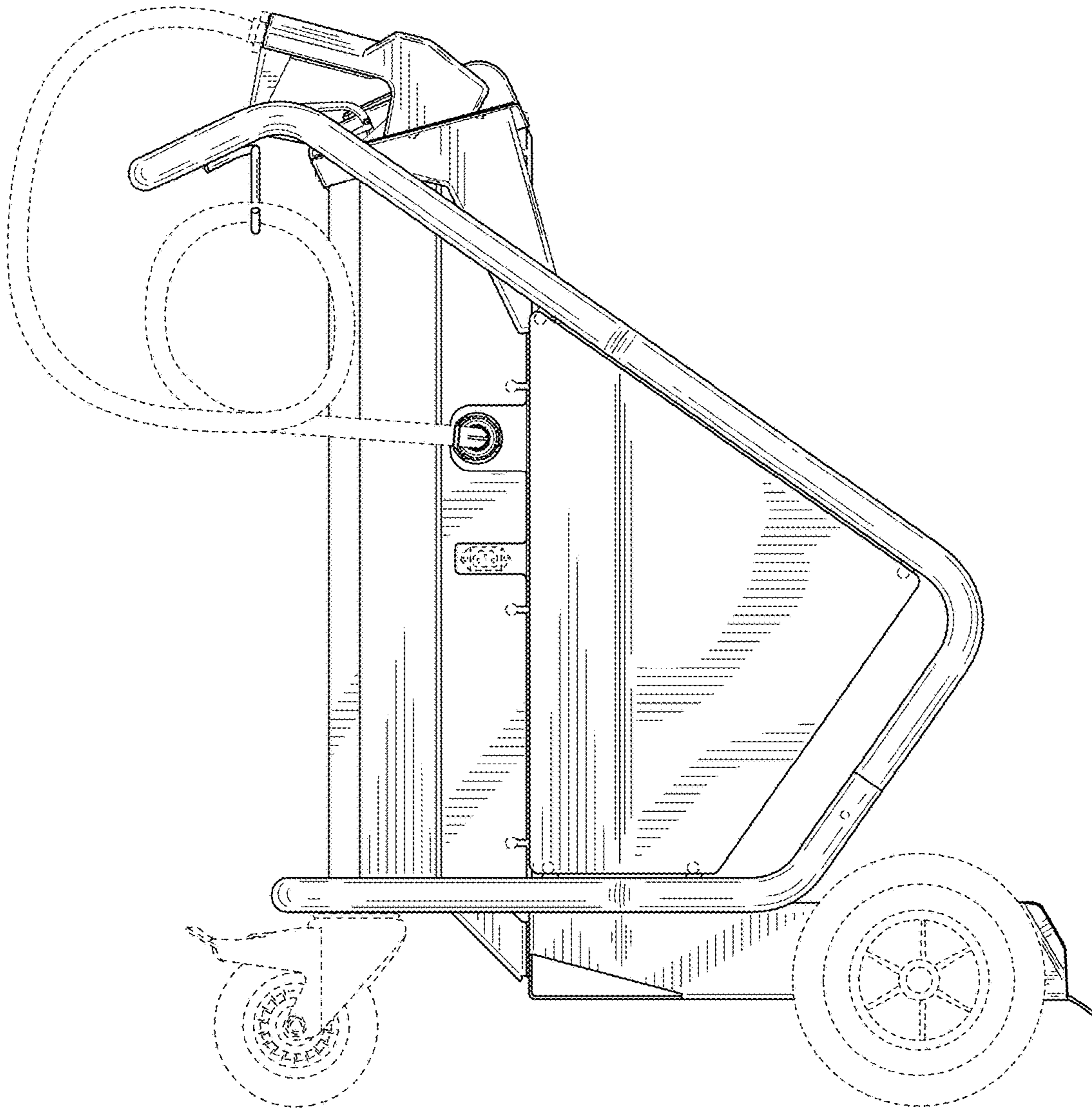


Fig. 5

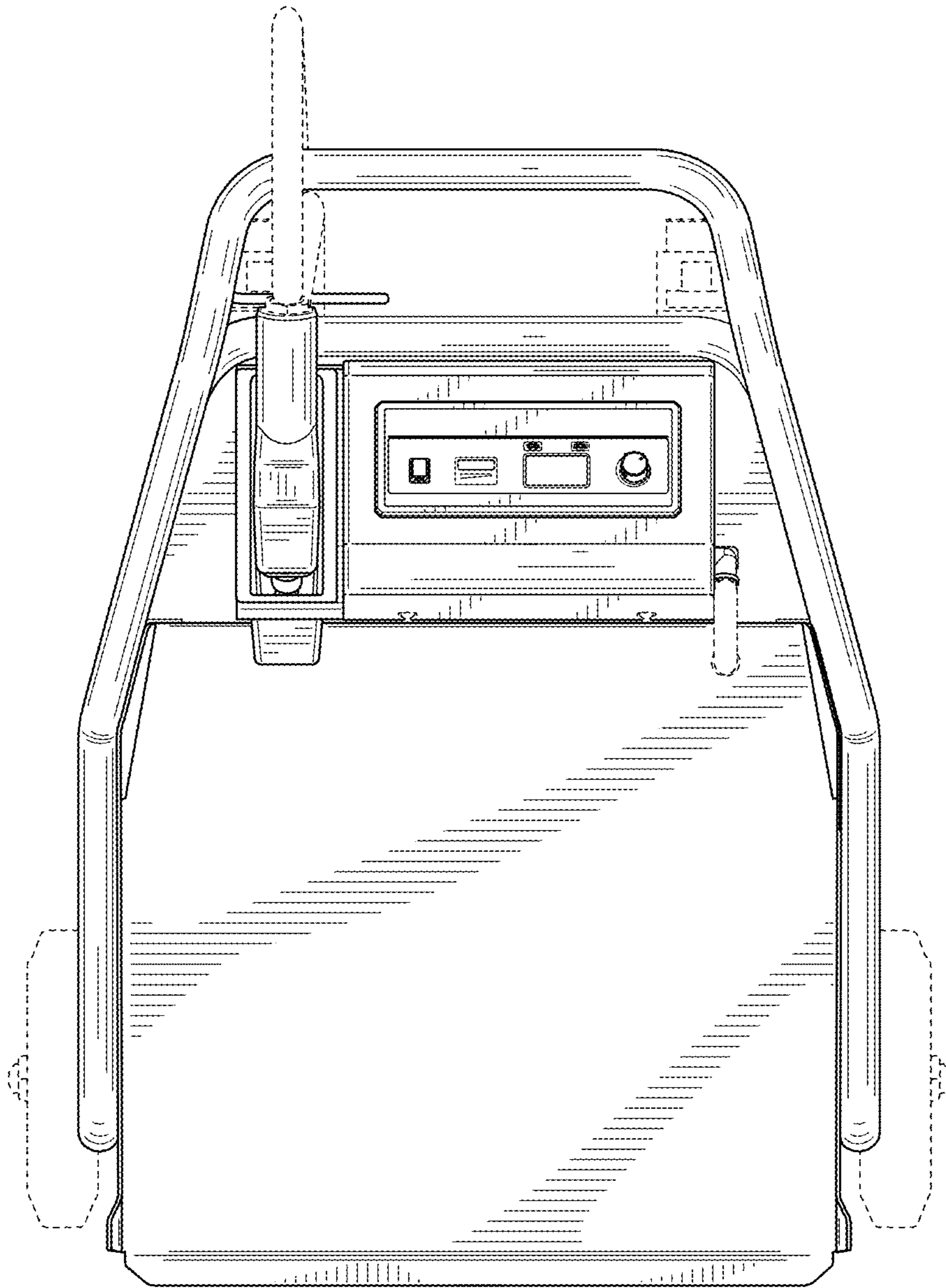


Fig. 6

