



US00D844275S

(12) **United States Design Patent** (10) **Patent No.:** **US D844,275 S**  
**Mitsunari et al.** (45) **Date of Patent:** **\*\* Mar. 26, 2019**

(54) **LAUNDRY HOLDER**

(71) Applicant: **IRIS OHYAMA INC.**, Sendai-shi, Miyagi (JP)

(72) Inventors: **Kenji Mitsunari**, Kakuda (JP);  
**Masaharu Sakamoto**, Kakuda (JP);  
**Kazuhiro Muto**, Kakuda (JP)

(73) Assignee: **IRIS OHYAMA INC.**, Sendai-shi (JP)

(\*\*) Term: **15 Years**

(21) Appl. No.: **29/635,313**

(22) Filed: **Jan. 30, 2018**

(30) **Foreign Application Priority Data**

Aug. 16, 2017 (JP) ..... 2017-017603

(51) **LOC (11) Cl.** ..... **07-05**

(52) **U.S. Cl.**  
USPC ..... **D32/67**

(58) **Field of Classification Search**  
USPC ..... D32/25, 67, 53, 53.1, 54  
(Continued)

(56) **References Cited**

**U.S. PATENT DOCUMENTS**

5,875,655 A \* 3/1999 Herman-Latack .... D06F 39/026  
222/166  
D729,484 S \* 5/2015 Arvinte ..... D32/54  
(Continued)

**FOREIGN PATENT DOCUMENTS**

EM DM/089 618 3/2016

**OTHER PUBLICATIONS**

An Office Action; "Notice of Allowance", issued by the Japanese Patent Office dated Apr. 24, 2018, which corresponds to Japanese Design Application No. 2017-017603; with English language Concise Explanation.

*Primary Examiner* — Michelle E. Wilson

(74) *Attorney, Agent, or Firm* — Studebaker & Brackett PC

(57) **CLAIM**

The ornamental design for a laundry holder, as shown and described.

**DESCRIPTION**

FIG. 1 is a front, top and right-side perspective view of a laundry holder showing our new design;

FIG. 2 is a front view thereof;

FIG. 3 is a rear view thereof;

FIG. 4 is a top view thereof;

FIG. 5 is a bottom view thereof;

FIG. 6 is a right-side view thereof, with the left-side view being a mirror image thereof;

FIG. 7 is a cross-sectional view taken along line 7-7 in FIG. 2;

FIG. 8 is an in-use, reference perspective view thereof reduced in scale and showing a first environment of use;

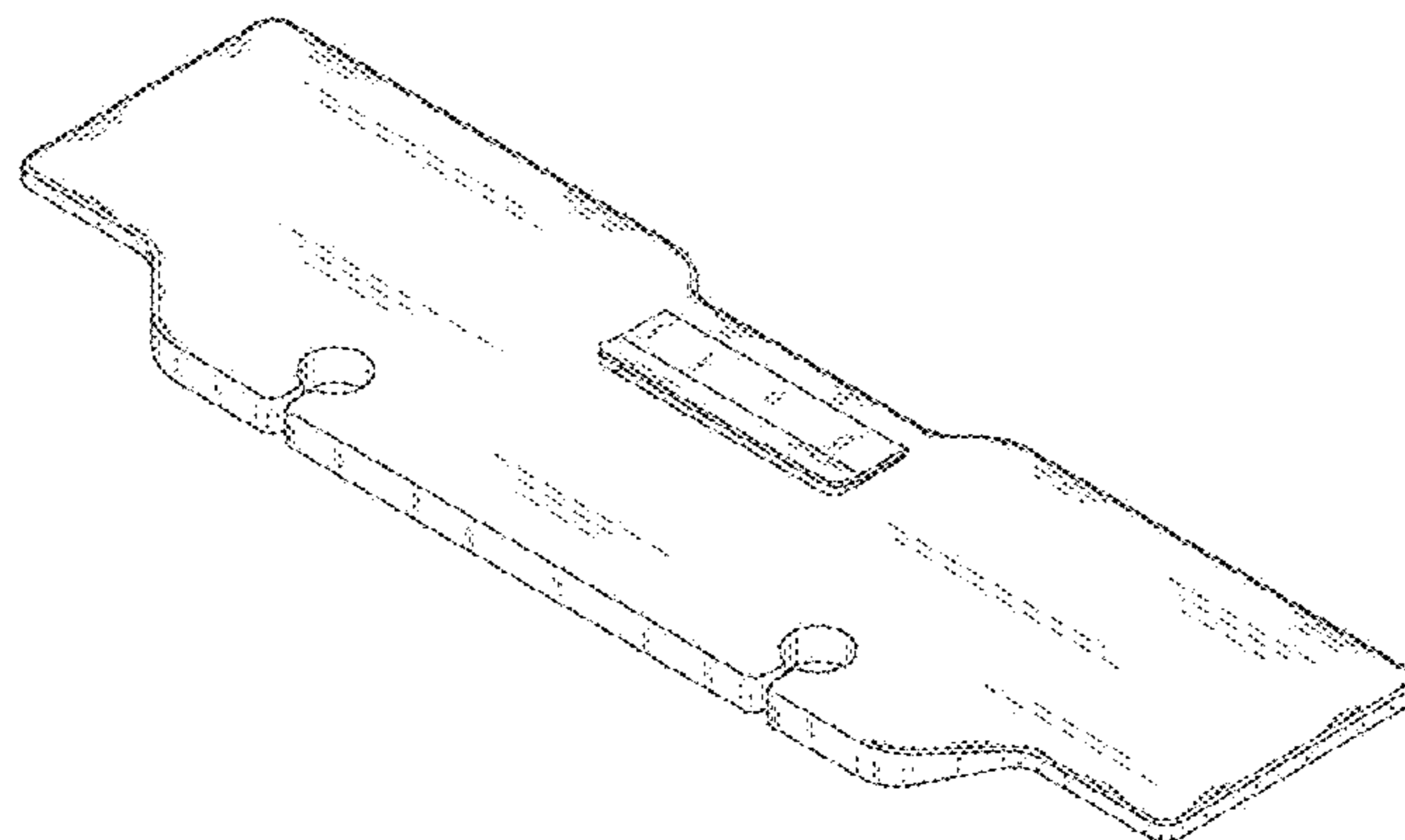
FIG. 9 is an in-use, another reference perspective view thereof reduced in scale and showing a second environment of use;

FIG. 10 is an in-use, still another reference perspective view thereof reduced in scale and showing a third environment of use; and,

FIG. 11 is an in-use, yet still another reference perspective view thereof reduced in scale and showing a fourth environment of use.

The broken lines shown represent unclaimed subject matter of the laundry holder and form no part of the claimed design. The laundry holder is stored in a back of a lid of a washing machine (FIG. 8) and set on an opening of the washing machine (FIG. 9). The laundry holder holds a collar (FIG. 10) or sleeves (FIG. 11) of the laundry for application of detergent. Alternatively, the laundry holder may be set on an opening of a bucket, for example.

**1 Claim, 8 Drawing Sheets**



(58) **Field of Classification Search**

CPC .... D06F 3/02; D06F 3/00; D06F 1/04; G10D  
13/06

See application file for complete search history.

(56) **References Cited**

U.S. PATENT DOCUMENTS

D732,762	S	*	6/2015	Joo	.....	D32/6
D759,929	S	*	6/2016	Lee	.....	D32/25
D759,930	S	*	6/2016	Kang	.....	D32/25
D759,931	S	*	6/2016	Lee	.....	D32/25
D759,932	S	*	6/2016	Lee	.....	D32/25
D759,933	S	*	6/2016	Lee	.....	D32/25
D760,967	S	*	7/2016	Joo	.....	D32/6
D760,987	S	*	7/2016	Kang	.....	D32/25
D761,502	S	*	7/2016	Joo	.....	D32/6
D775,441	S	*	12/2016	Joo	.....	D32/25
D785,890	S	*	5/2017	Jang	.....	D32/67
D798,006	S	*	9/2017	Kang	.....	D32/6
D807,606	S	*	1/2018	Joo	.....	D32/67
D813,476	S	*	3/2018	Lee	.....	D32/25
D831,911	S	*	10/2018	Joo	.....	D32/25
D833,694	S	*	11/2018	Kang	.....	D32/6

\* cited by examiner

FIG. 1

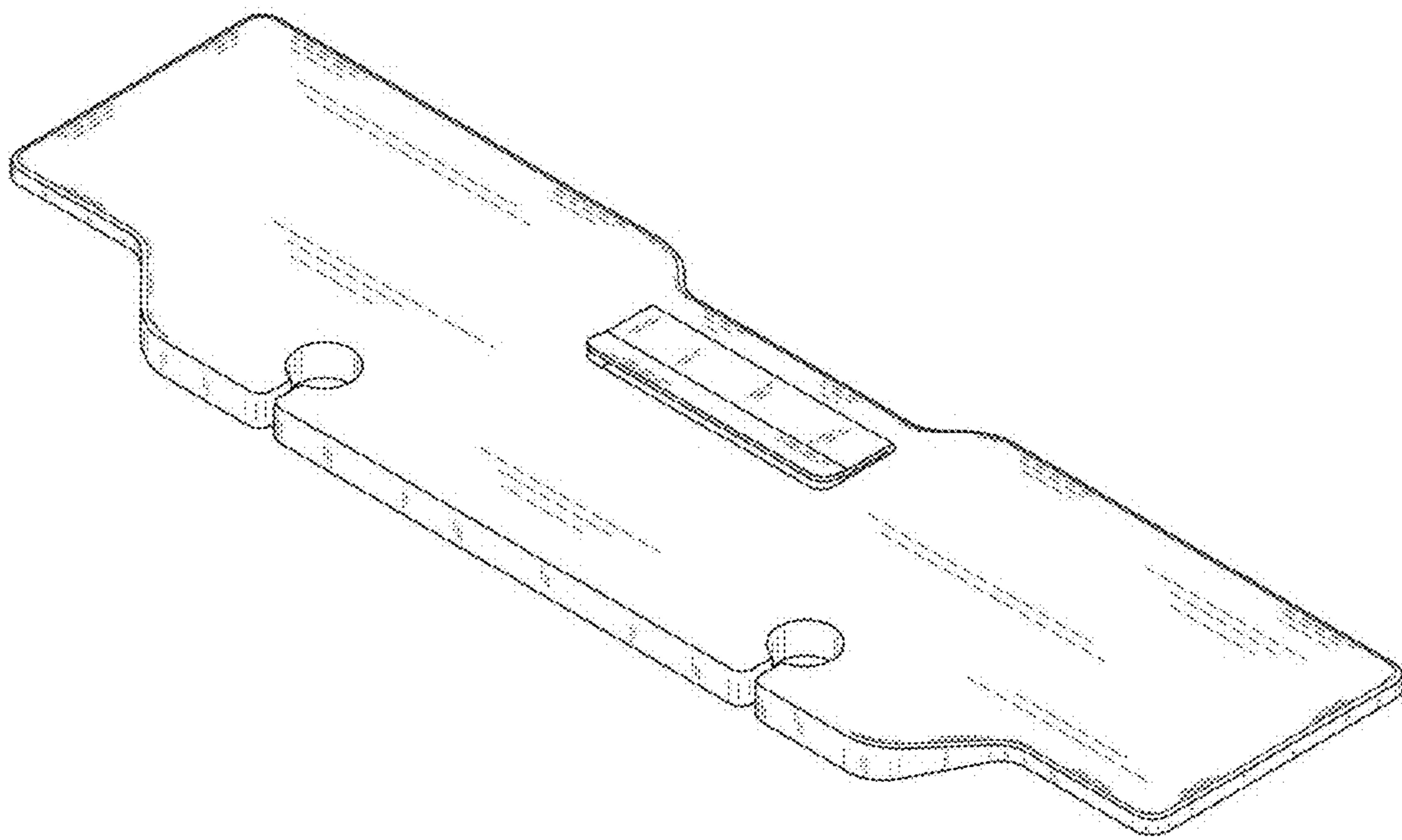


FIG. 2

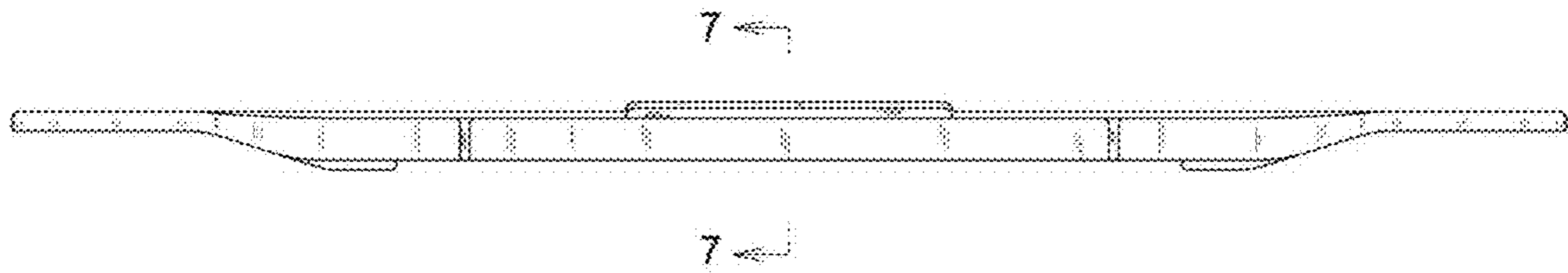


FIG. 3

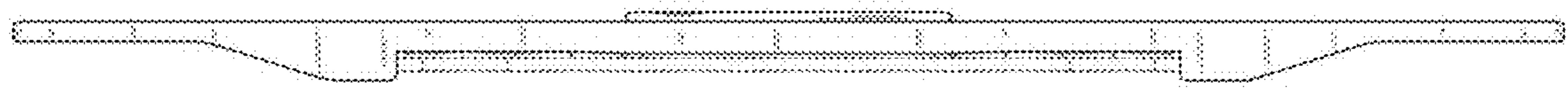


FIG. 4

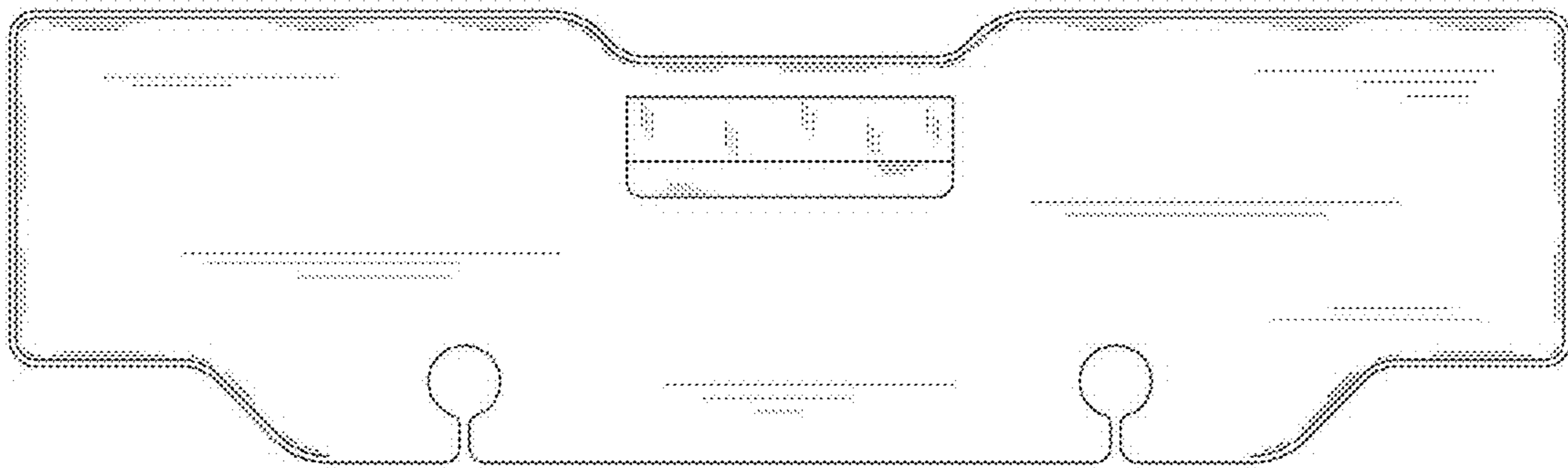


FIG. 5

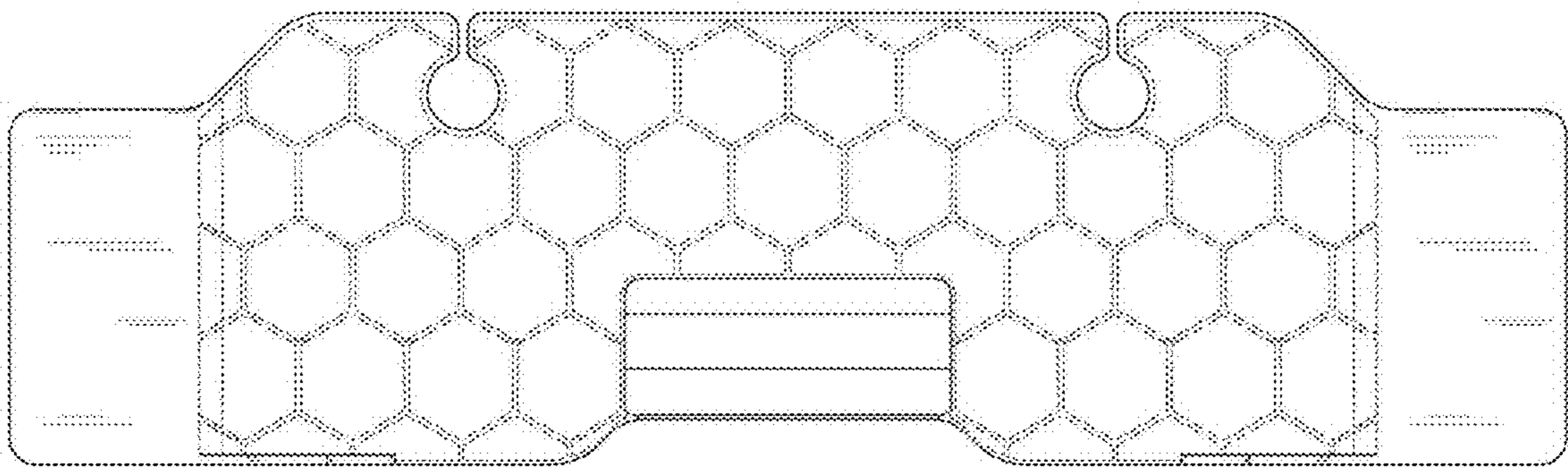


FIG. 6

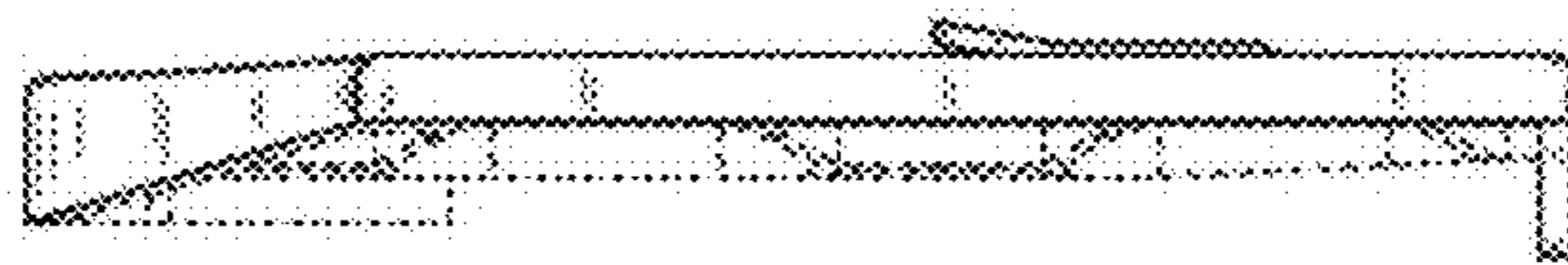


FIG. 7

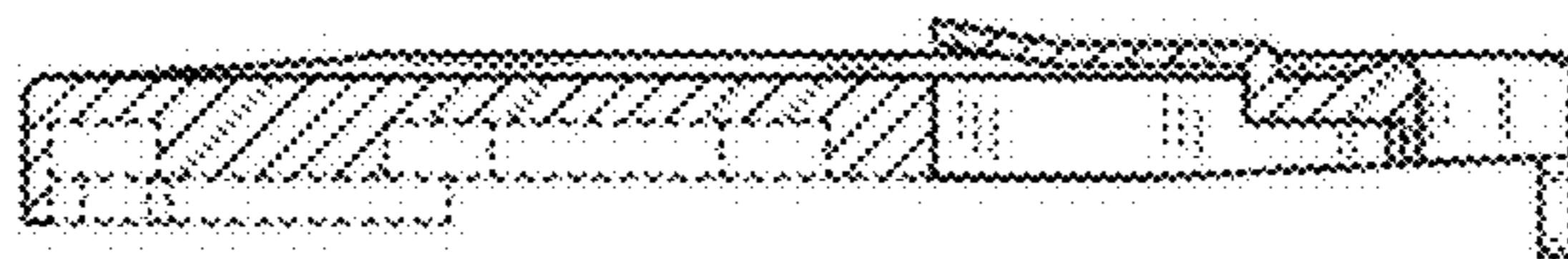


FIG. 8

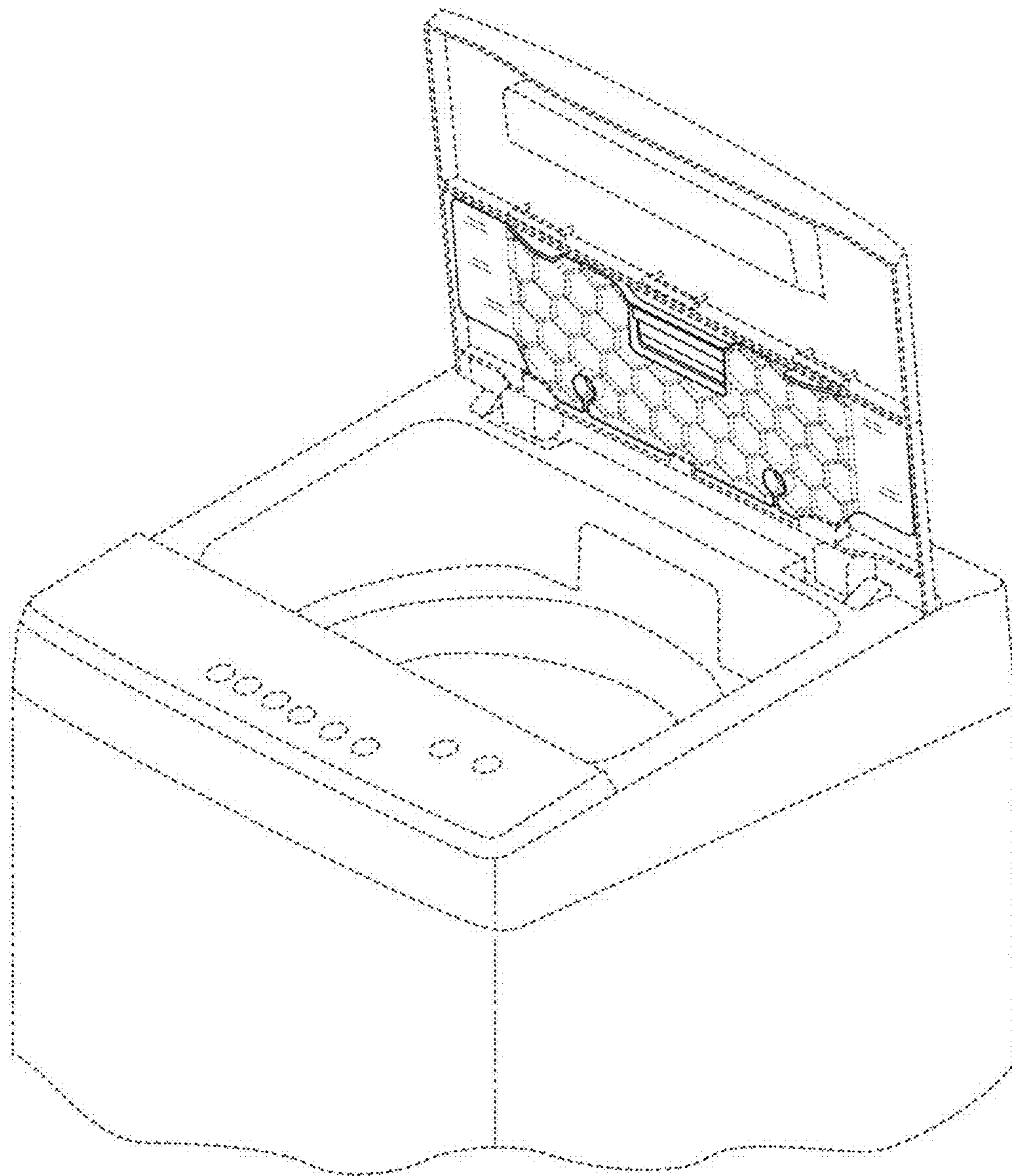


FIG. 9

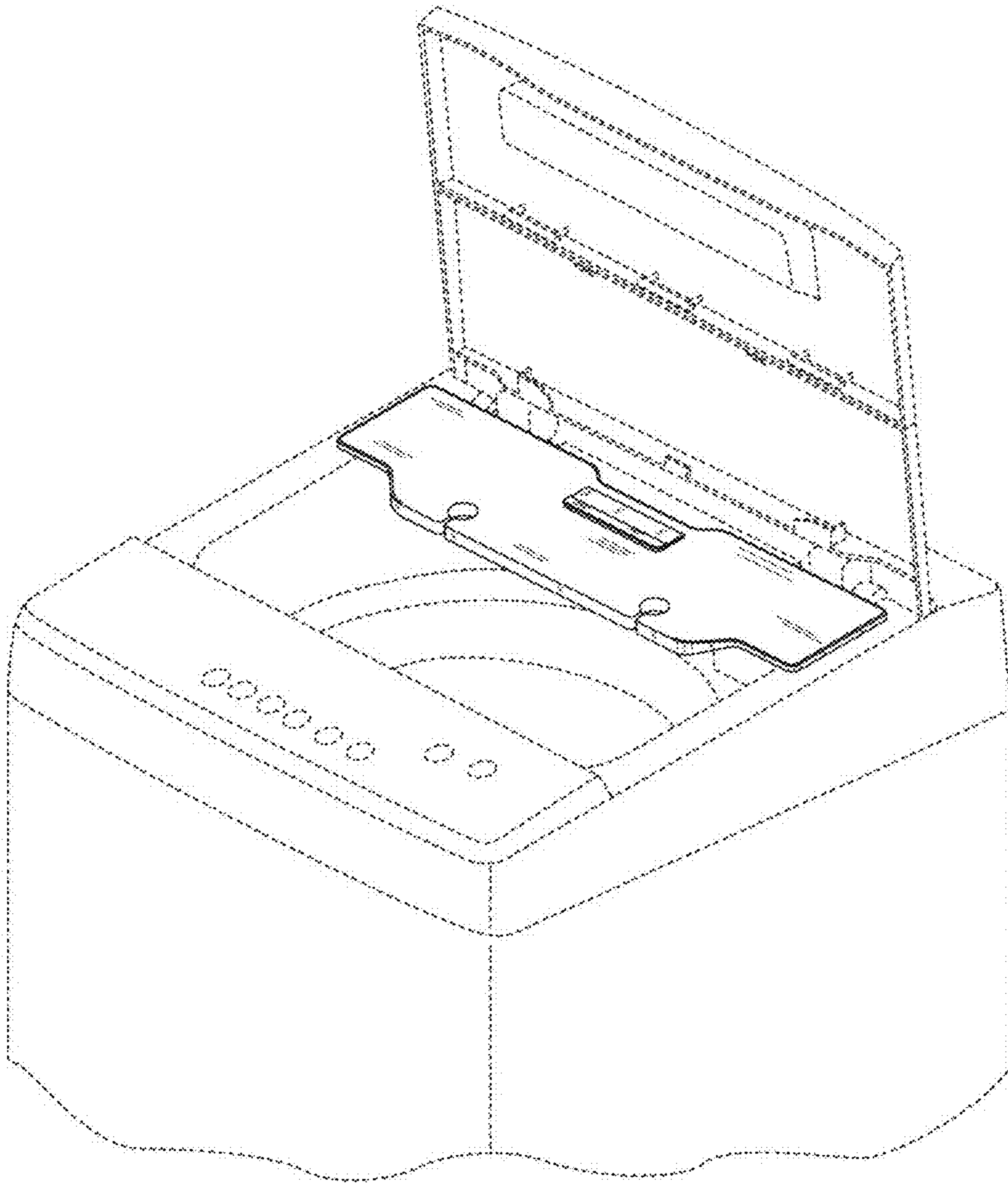




FIG. 10

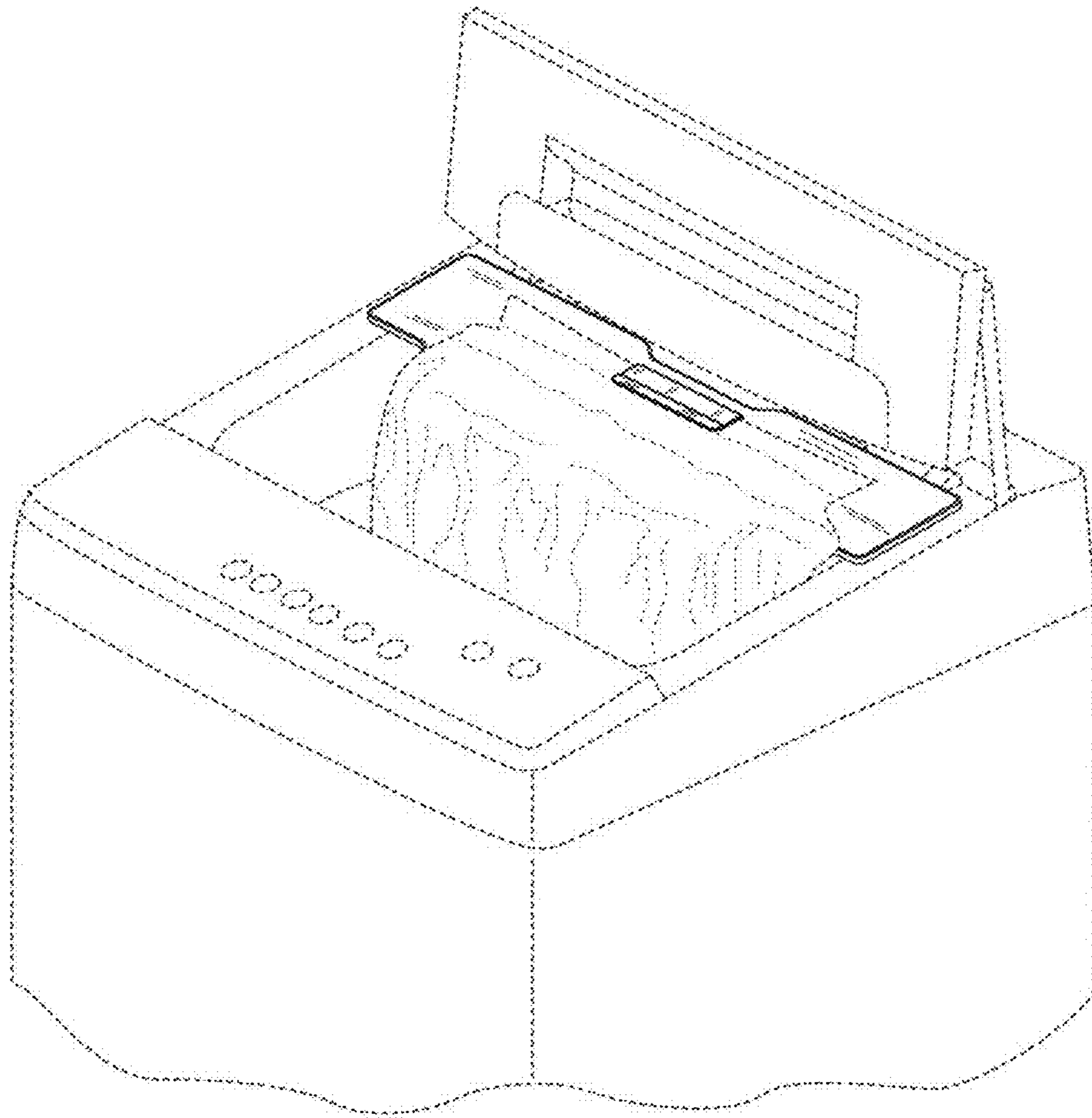


FIG. 11

