

US00D844274S

(12) **United States Design Patent**
Collins

(10) **Patent No.:** **US D844,274 S**

(45) **Date of Patent:** **** Mar. 26, 2019**

(54) **SINK SADDLE**

(71) Applicant: **David R. Collins**, Show Low, AZ (US)

(72) Inventor: **David R. Collins**, Show Low, AZ (US)

(**) Term: **15 Years**

(21) Appl. No.: **29/620,871**

(22) Filed: **Jul. 31, 2017**

(51) **LOC (11) Cl.** **07-05**

(52) **U.S. Cl.**
USPC **D32/55**

(58) **Field of Classification Search**
USPC D32/55, 276, 3; D6/510, 525; D30/133;
211/41.5, 41.4, 41.3, 41.8; 361/679.4;
312/311, 333, 334.4; D7/354, 629
CPC .. A47L 15/505; A47L 15/503; A47L 15/0013;
A47L 19/02; A47L 19/04; A47J 47/20
See application file for complete search history.

(56) **References Cited**

U.S. PATENT DOCUMENTS

2,242,833	A	5/1941	Nibur	
2,774,562	A	12/1956	Henry	
3,991,961	A	11/1976	Platzer, Jr.	
4,836,482	A	6/1989	Sokol	
4,979,708	A	12/1990	Aoki	
5,046,696	A	9/1991	Lee	
5,176,347	A	1/1993	Rouail	
D347,717	S *	6/1994	Chapin	D32/55
5,678,793	A	10/1997	Hill	
5,984,251	A	11/1999	Davis	
D548,358	S	8/2007	Koop	
7,748,583	B1	7/2010	Woltman	
D706,009	S *	5/2014	Cooper	D32/55
D731,728	S *	6/2015	Evans	D32/55

D748,358	S	1/2016	Coller et al.	
D760,984	S *	7/2016	Eilmus	D32/55
D761,512	S *	7/2016	Eilmus	D32/55
D762,035	S *	7/2016	Cooper	D32/55
D762,934	S *	8/2016	Evans	D32/55
D776,385	S *	1/2017	Evans	D32/55
D811,676	S *	2/2018	Goodman	D32/55
D813,484	S *	3/2018	Goodman	D32/55
D816,286	S *	4/2018	Kim	D32/55
D816,932	S *	5/2018	Eilmus	D32/55
2012/0024807	A1	2/2012	Fullman et al.	

* cited by examiner

Primary Examiner — Austin Murphy

(74) *Attorney, Agent, or Firm* — Paul R. Martin

(57) **CLAIM**

The ornamental design for a sink saddle, as shown and described.

DESCRIPTION

FIG. 1 is a perspective view of the sink saddle of my new design showing it positioned around the base of a water faucet extending upward from a sink. The sink and other articles are shown in broken lines.

FIG. 2. Is another perspective thereof.

FIG. 3 is an elevational view of the front thereof.

FIG. 4 is an elevational view of the back thereof.

FIG. 5 is a left side elevational view thereof.

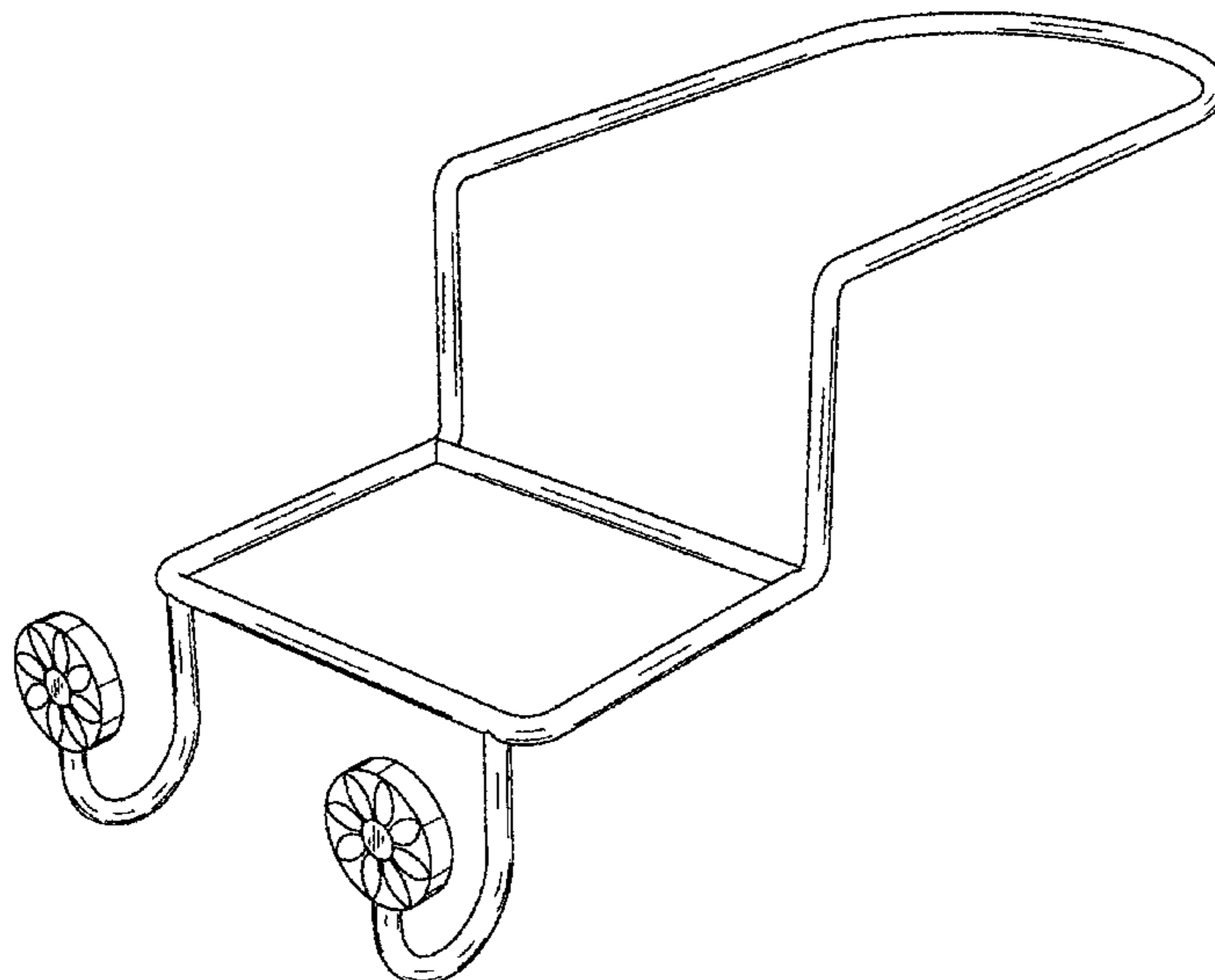
FIG. 6 is a right side elevational view thereof.

FIG. 7 is a top plan view thereof; and,

FIG. 8 is a bottom plan view thereof.

The broken line figures in FIG. 1, showing portions of a sink, a faucet, and other items are environmental, and form no part of my new design.

1 Claim, 6 Drawing Sheets



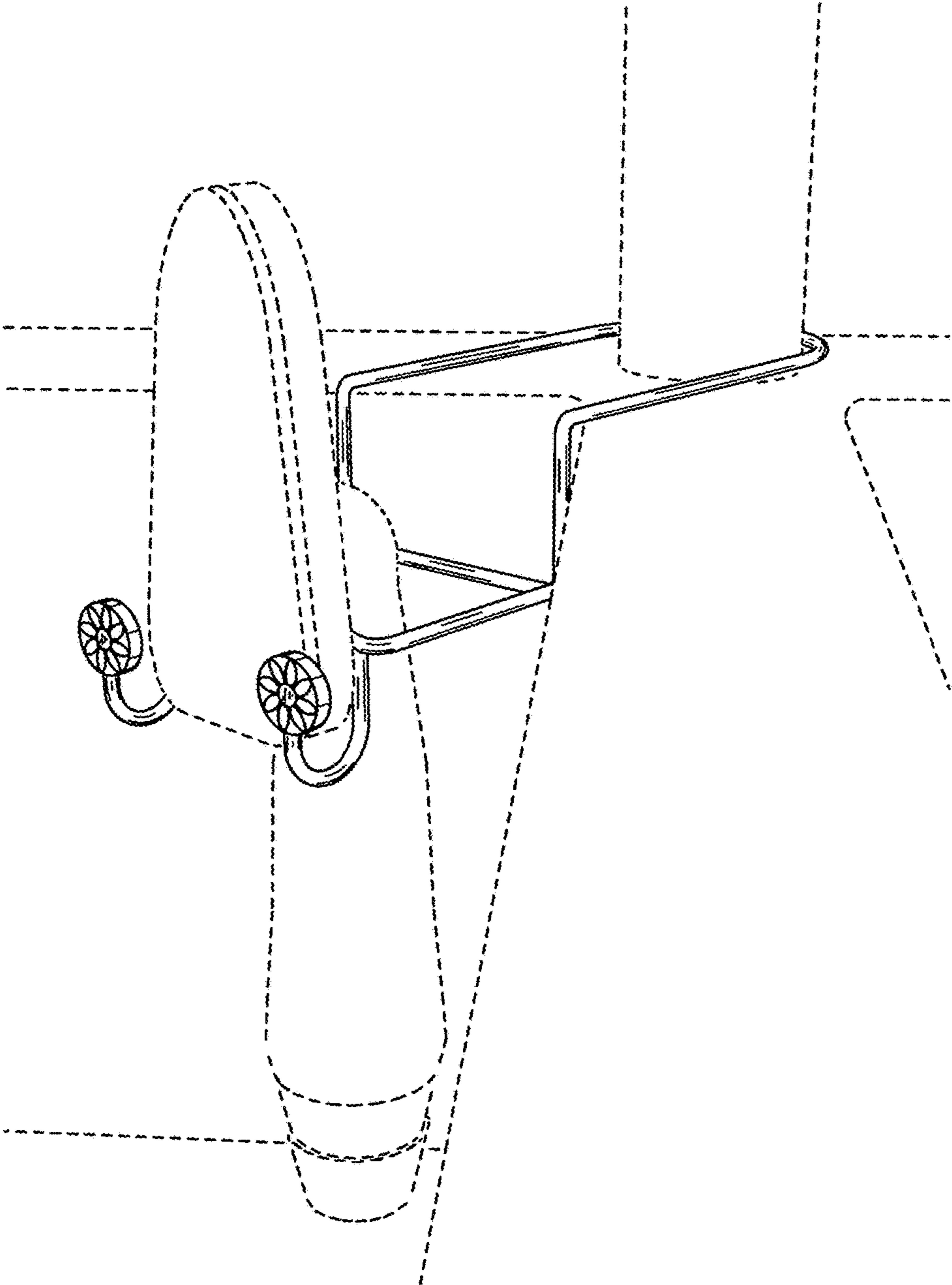


FIG. 1

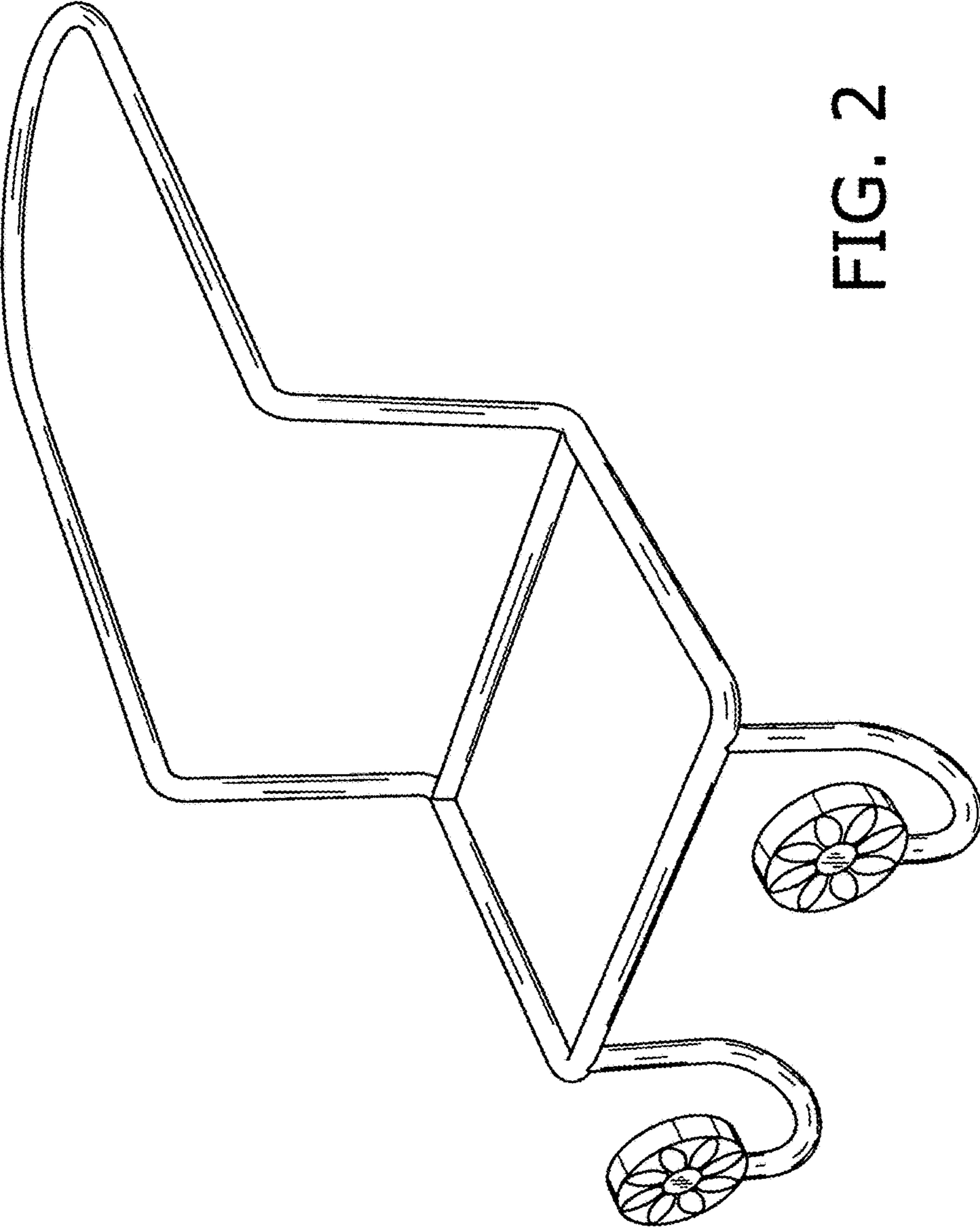


FIG. 2

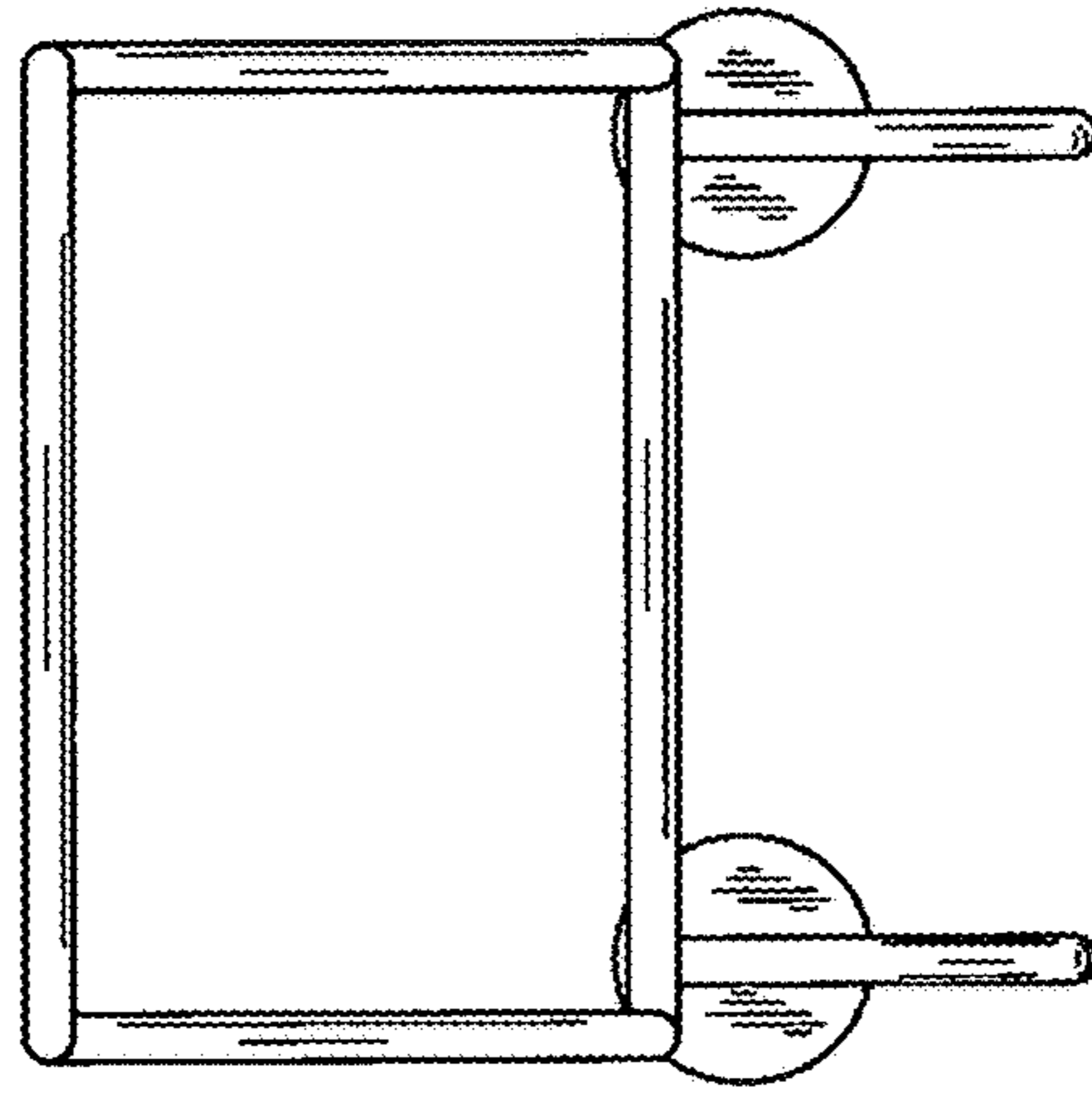


FIG. 3

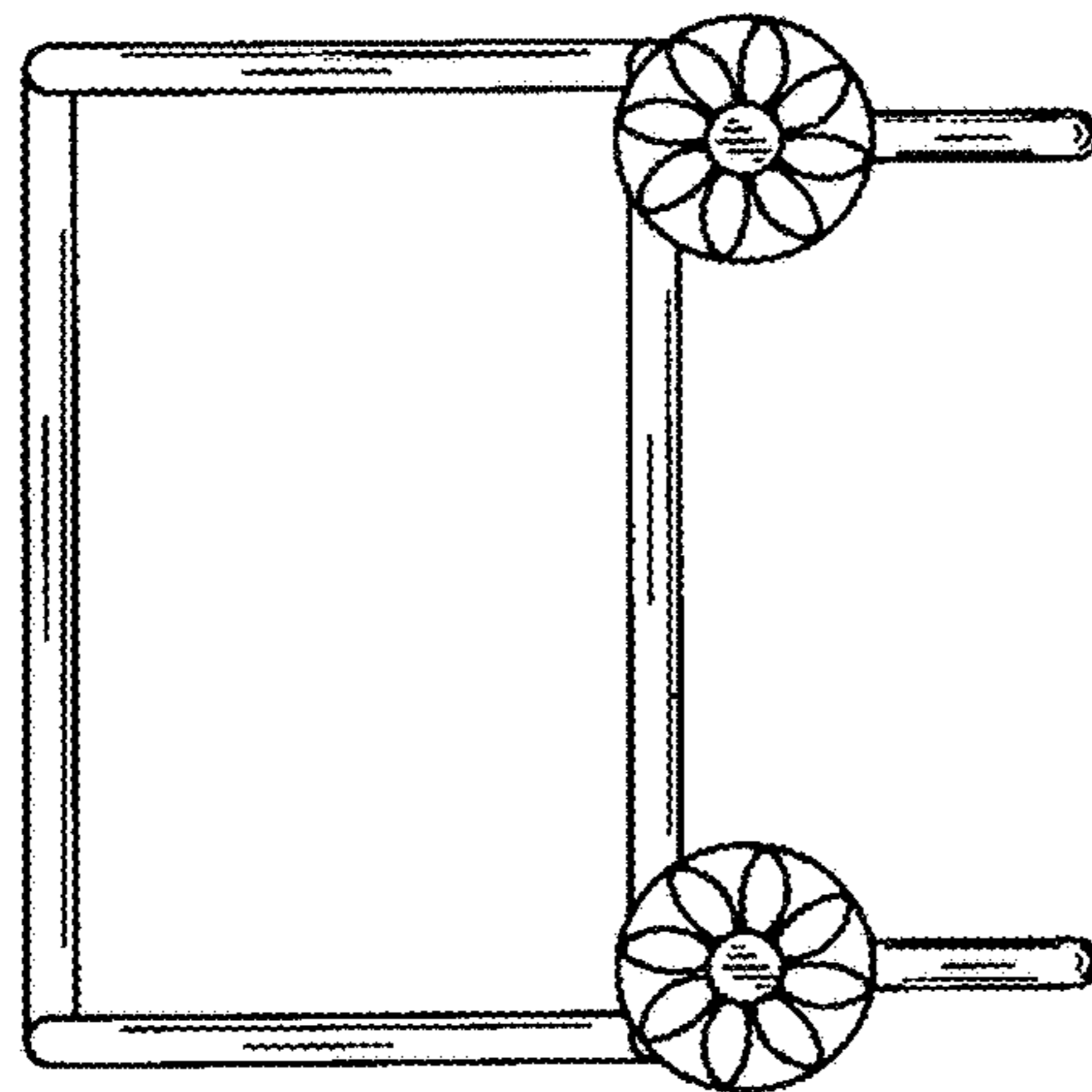


FIG. 4

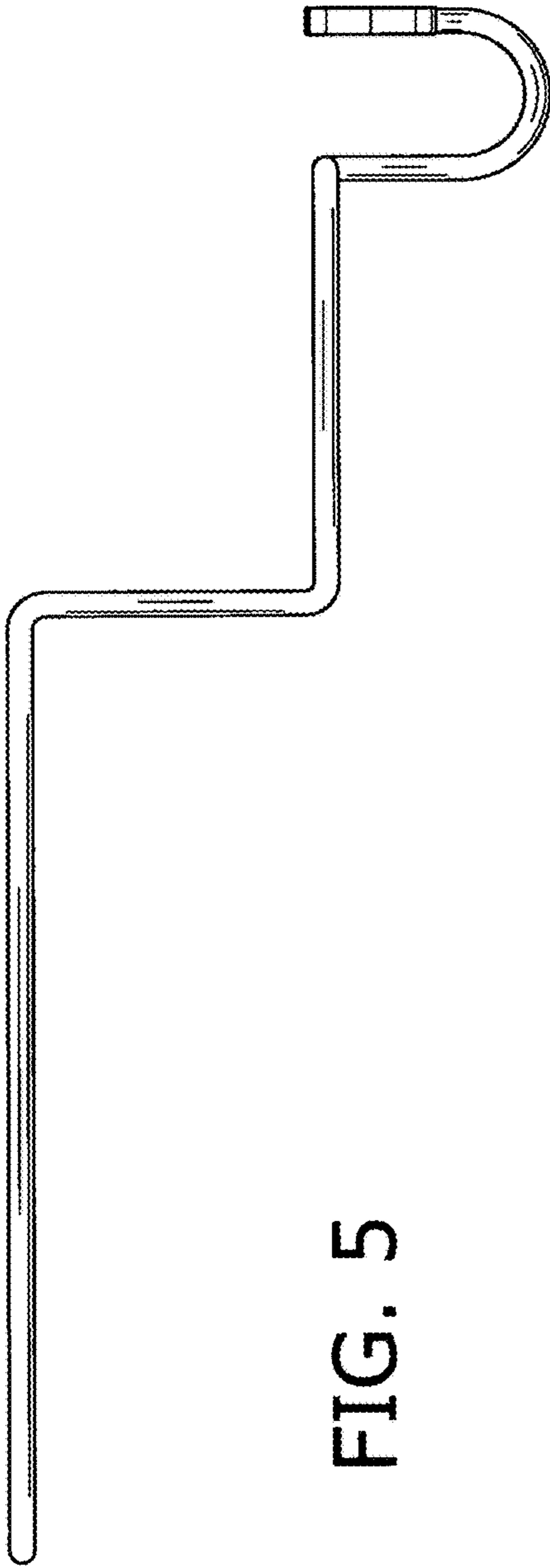


FIG. 5

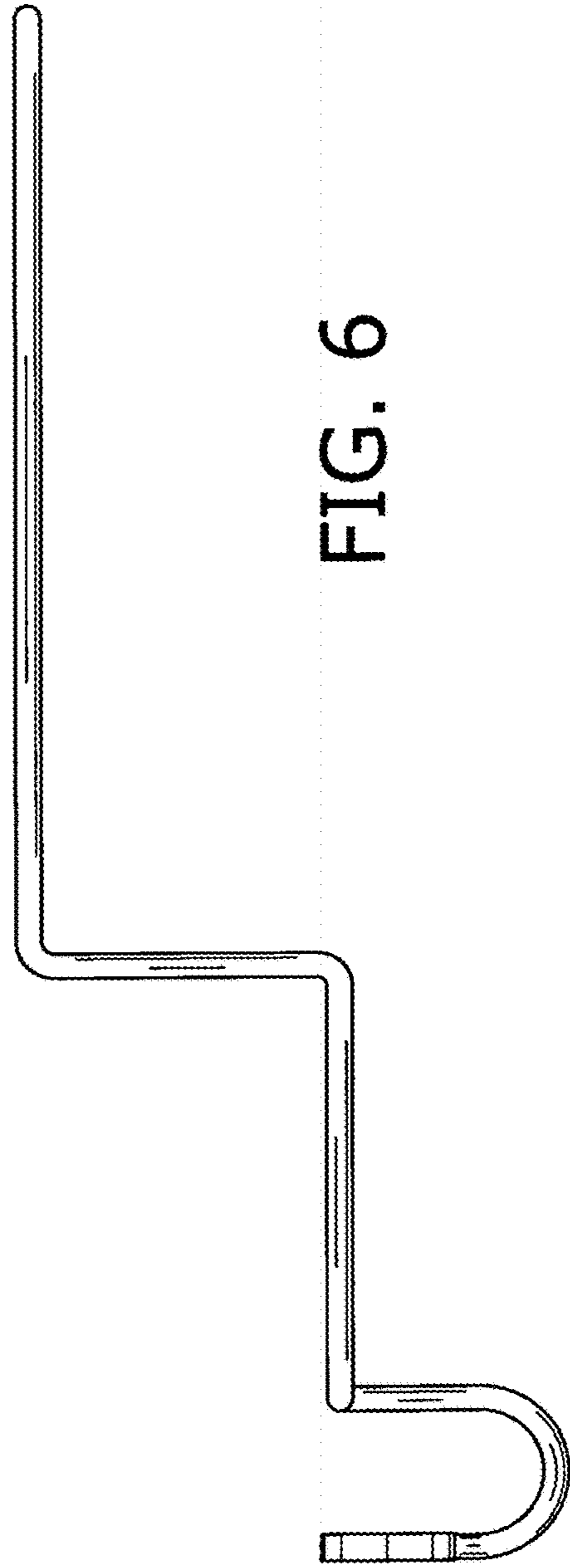


FIG. 6

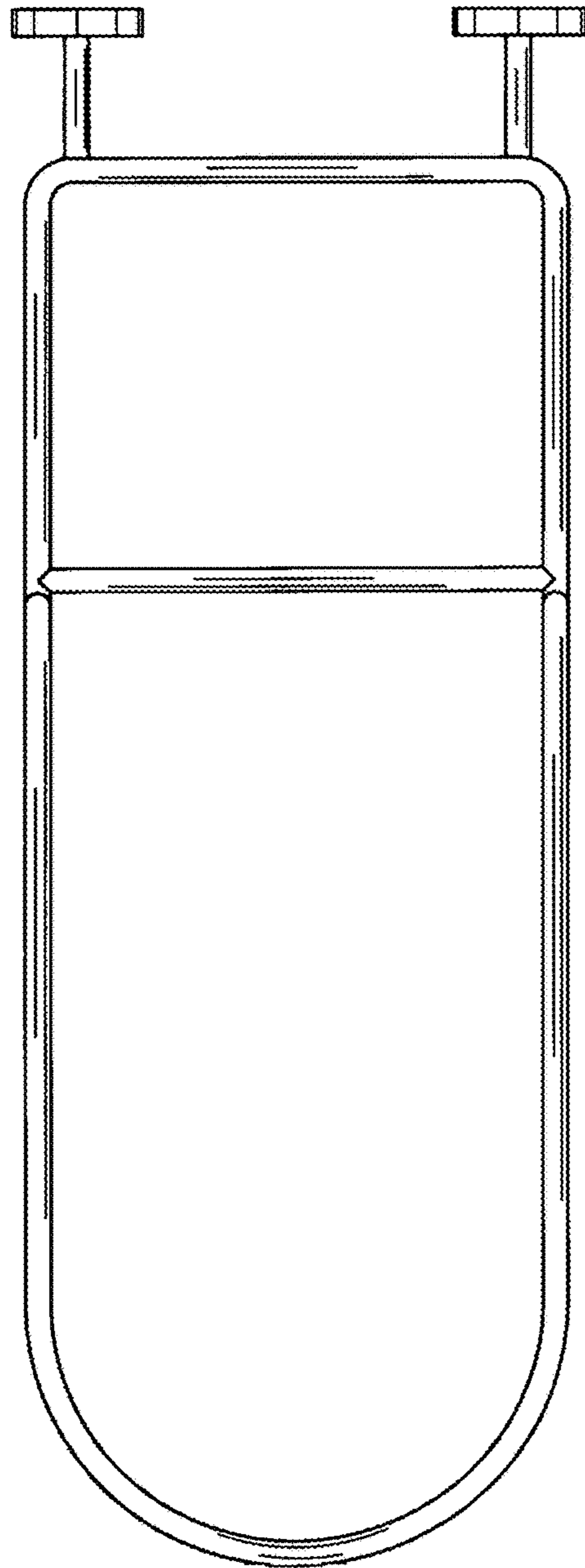


FIG. 7

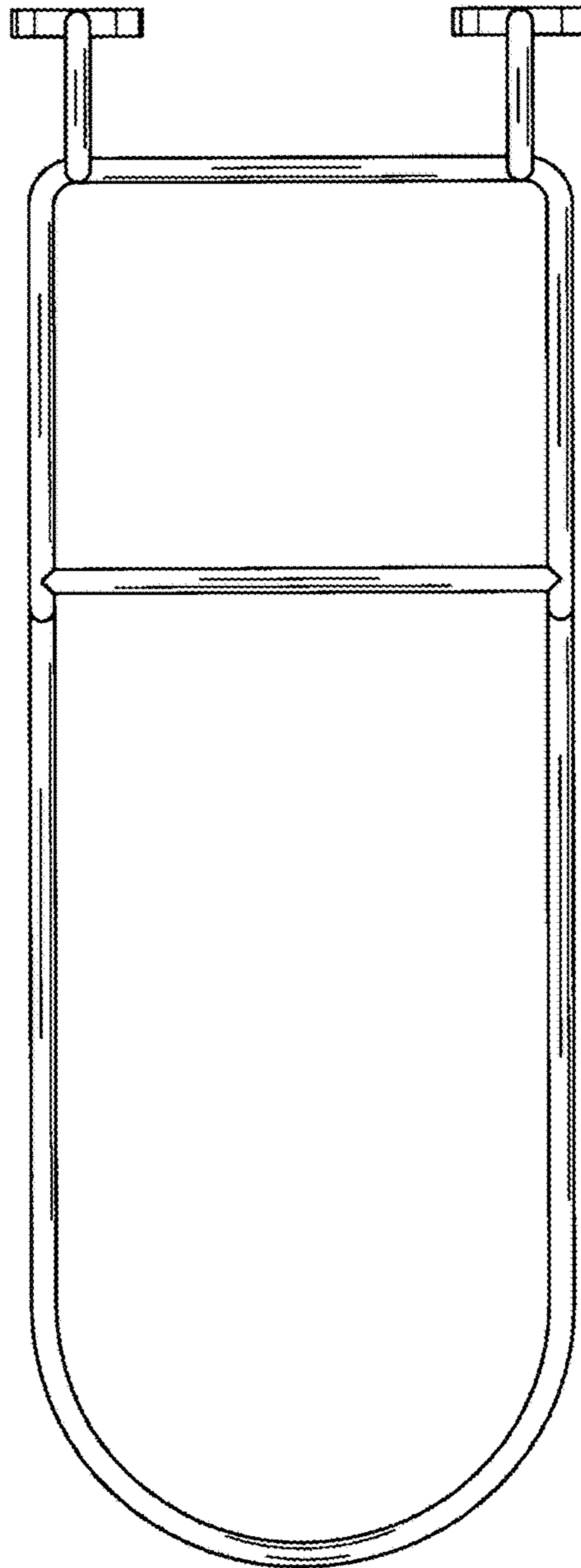


FIG. 8