



US00D844273S

(12) **United States Design Patent** (10) **Patent No.:** **US D844,273 S**
Mitchell (45) **Date of Patent:** **** Mar. 26, 2019**

(54) **SQUEEGEE**
(71) Applicant: **PRO PAINT GEAR INC.**, Brighton (CA)
(72) Inventor: **Jack Mitchell**, Brighton (CA)
(73) Assignee: **PRO PAINT GEAR INC.**, Brighton, Ontario (CA)
(**) Term: **15 Years**
(21) Appl. No.: **29/630,404**
(22) Filed: **Dec. 20, 2017**

730,843 A * 6/1903 Rostek A47L 1/06
15/245
911,194 A * 2/1909 Bailey A47L 1/06
15/245
948,641 A * 2/1910 Bailey A47L 1/06
15/245
1,789,636 A * 1/1931 Oberti A47L 13/11
15/245

(Continued)

FOREIGN PATENT DOCUMENTS

JP 5317311 10/2013
WO WO D087047-001 * 8/2015

OTHER PUBLICATIONS

30â€ Curved Floor Squeegee, ToolSource.com, website 2018, [https://www.toolsources.com/cleaning-supplies-c-370_384/30-curved-floor-squeegee-acid-r . . .](https://www.toolsources.com/cleaning-supplies-c-370_384/30-curved-floor-squeegee-acid-r...) site visited Sep. 17, 2018.*

(Continued)

Primary Examiner — John Windmuller
Assistant Examiner — John R Yeh
(74) *Attorney, Agent, or Firm* — Hill & Schumacher

(57) **CLAIM**

The ornamental design for a squeegee, as shown and described.

DESCRIPTION

FIG. 1 is a perspective view of the squeegee showing my new design;
FIG. 2 is a top plan view thereof;
FIG. 3 is a left side elevation view thereof;
FIG. 4 is a front elevation view thereof;
FIG. 5 is a right side elevation view thereof;
FIG. 6 is a bottom plan view thereof; and,
FIG. 7 is a rear elevation view thereof.
The broken lines in the drawings depict unclaimed environmental subject matter.

1 Claim, 7 Drawing Sheets

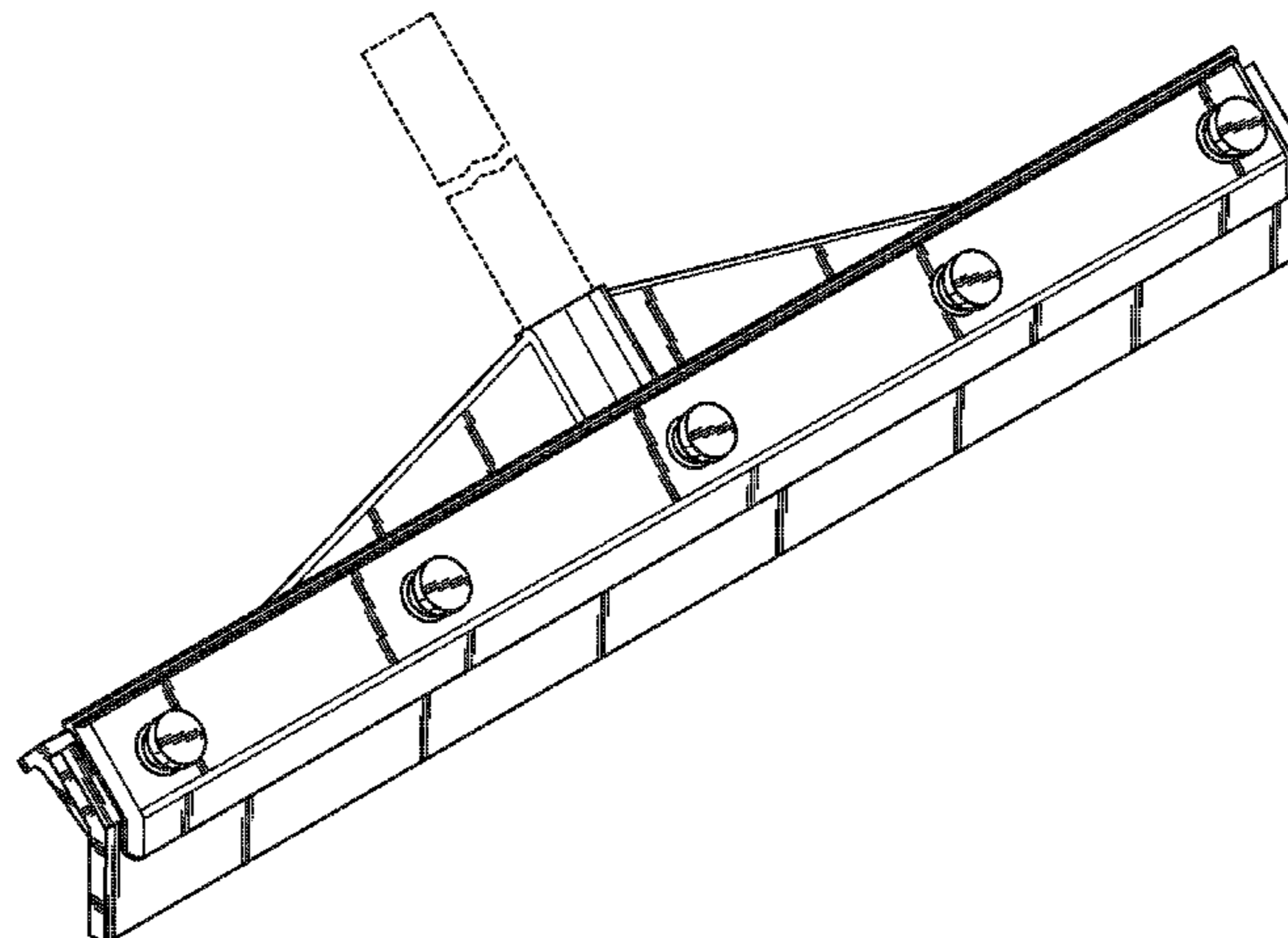
Related U.S. Application Data

(63) Continuation-in-part of application No. PCT/CA2016/051425, filed on Dec. 5, 2016.
(51) **LOC (11) Cl.** **07-05**
(52) **U.S. Cl.**
USPC **D32/41**
(58) **Field of Classification Search**
USPC D32/40-43, 46-47; D8/101, 107, 45
CPC ... A47L 1/06; A47L 1/00; A47L 13/20; A47L 13/254; A47L 13/11; A47L 13/10; A47L 13/16; A47L 13/12; G03D 15/02; F16K 1/22; B60S 1/38; A47K 7/03; B41F 15/40; B41F 15/42; B41F 15/14; B41F 15/44
See application file for complete search history.

(56) **References Cited**

U.S. PATENT DOCUMENTS

355,298 A * 1/1887 Celce A47L 1/06
15/245
628,958 A * 7/1899 Pape A47L 1/06
403/200
635,462 A * 10/1899 Bourke A47L 1/06
15/245
639,479 A * 12/1899 Winquist A47L 1/06
15/245



(56)

References Cited

U.S. PATENT DOCUMENTS

1,964,134 A * 6/1934 Oberti A47L 13/11
15/245
2,043,775 A * 6/1936 Rosen A47L 1/06
15/245
2,103,198 A * 12/1937 Siemund A47L 1/06
15/245
2,112,462 A * 3/1938 Hawrylasz A47L 1/06
15/245
2,179,223 A * 11/1939 Siemund A47L 1/06
15/245
2,197,927 A 4/1940 Ehrlich
2,230,583 A 2/1941 Borden
2,905,959 A * 9/1959 Ferreira A47L 13/11
15/245
2,905,960 A * 9/1959 Ward A47L 13/11
15/245
3,950,813 A * 4/1976 Buck A47L 1/06
15/245
4,240,176 A 12/1980 Farmer

4,716,616 A * 1/1988 Poon A47L 13/11
15/144.1
D296,946 S * 7/1988 Stirling D32/41
4,941,228 A * 7/1990 Belanger A47L 1/06
15/121
5,067,197 A 11/1991 Cormier
7,506,399 B2 * 3/2009 Fortune E01C 19/16
15/245
D771,338 S * 11/2016 Smith D32/41
9,913,565 B2 * 3/2018 Smith A47L 13/11
D824,128 S * 7/2018 O'Shea D32/46

OTHER PUBLICATIONS

Shurhold Stainless Steel Squeegee-1410—The Home Depot website 2018, <https://www.homedepot.com/p/Shurhold-10-in-Stainless-Steel-Squeegee-1410/300452141> . . . site visited Sep. 17, 2018.*
International Search Report, PCT/CA2016/051425, dated Mar. 27, 2017, 3 pages.
Written Opinion, PCT/CA2016/051425, dated Mar. 27, 2017, 4 pages.

* cited by examiner

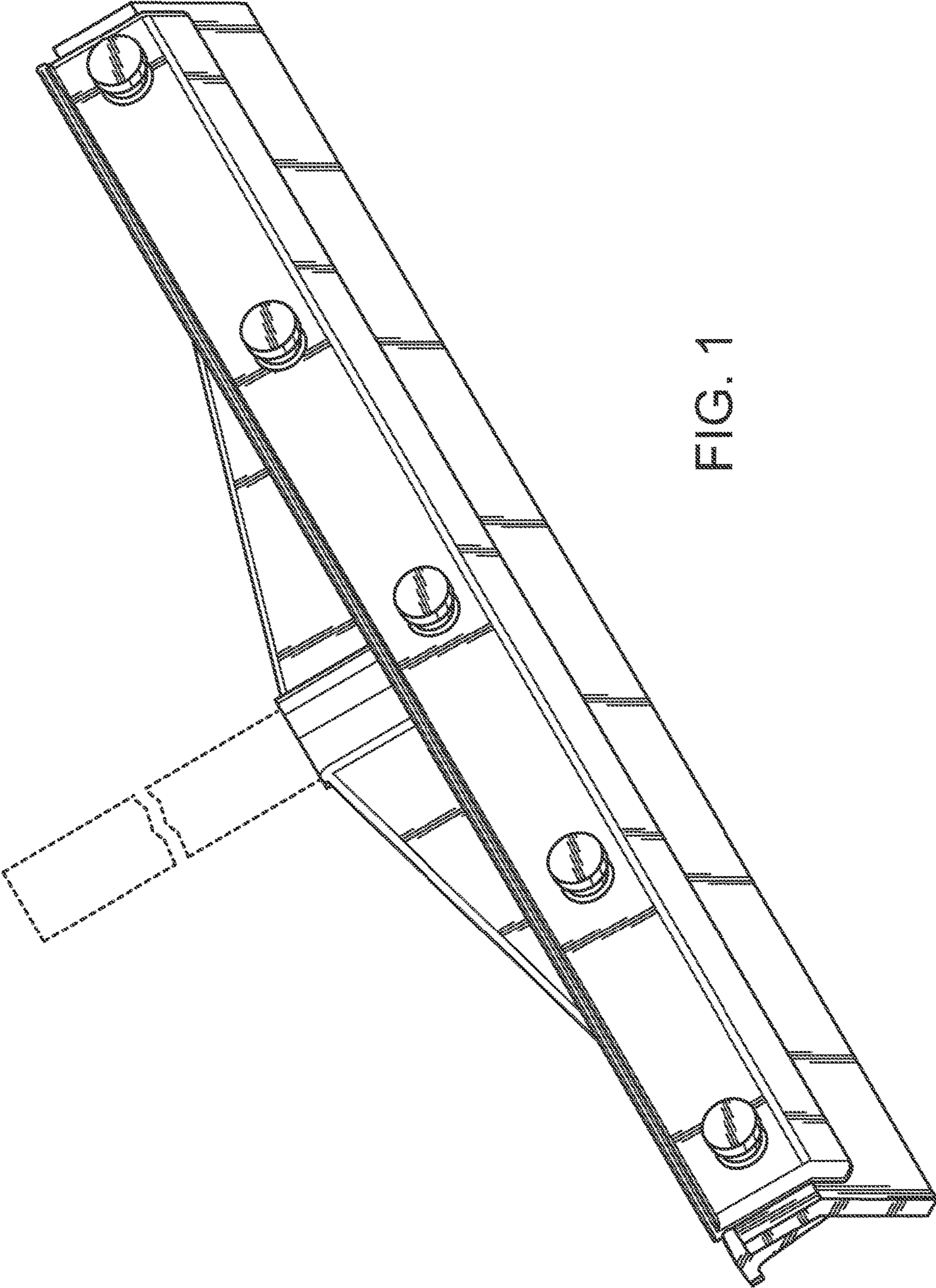


FIG. 1

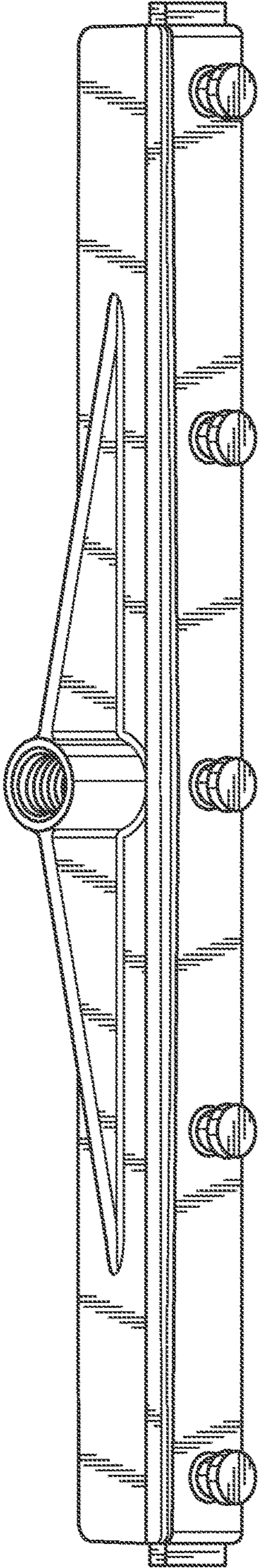


FIG. 2

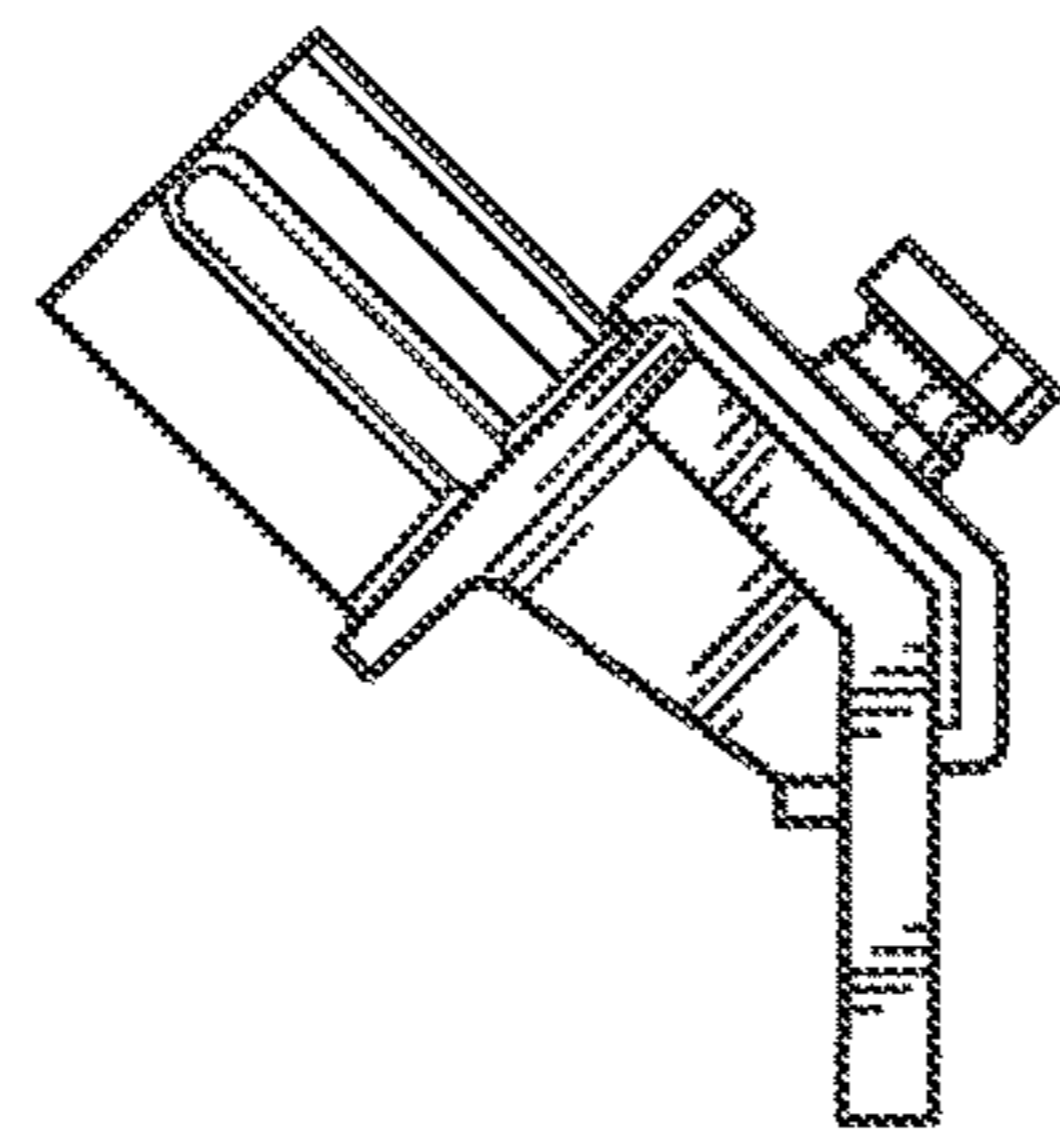


FIG. 3

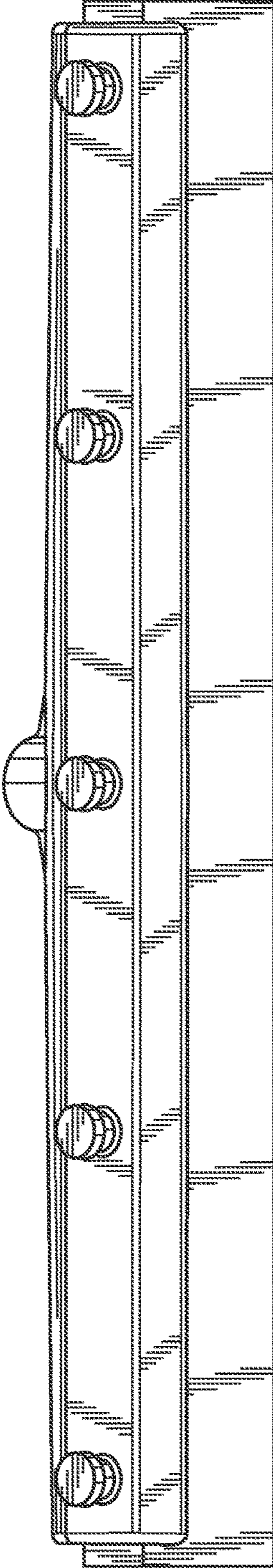


FIG. 4

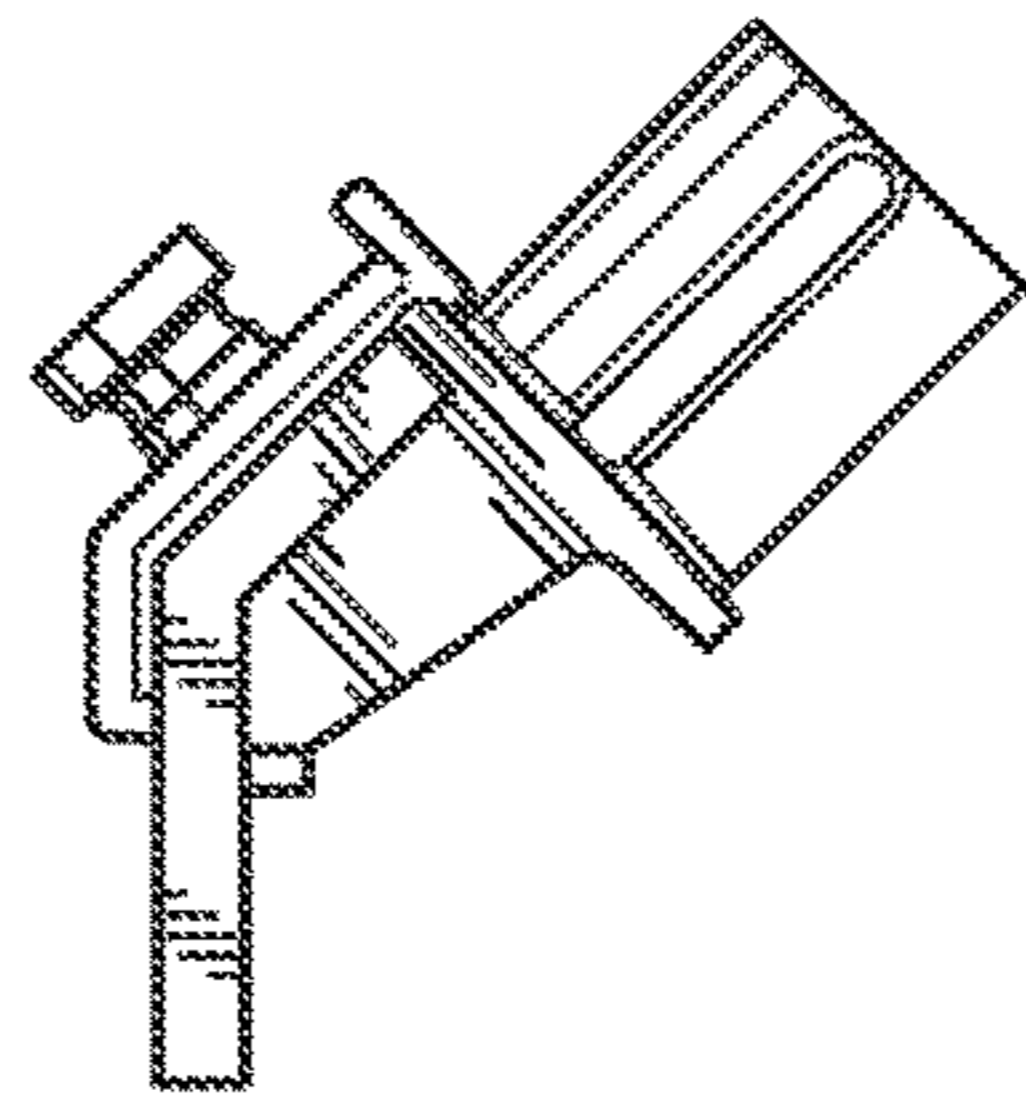


FIG. 5

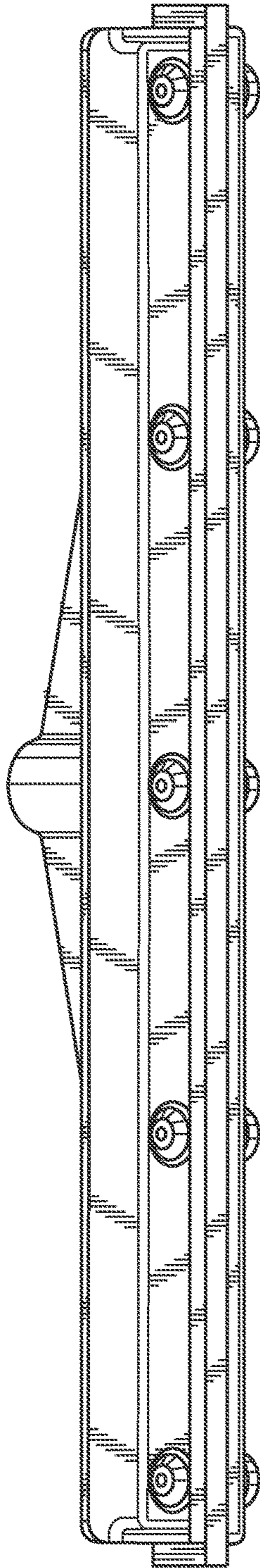


FIG. 6

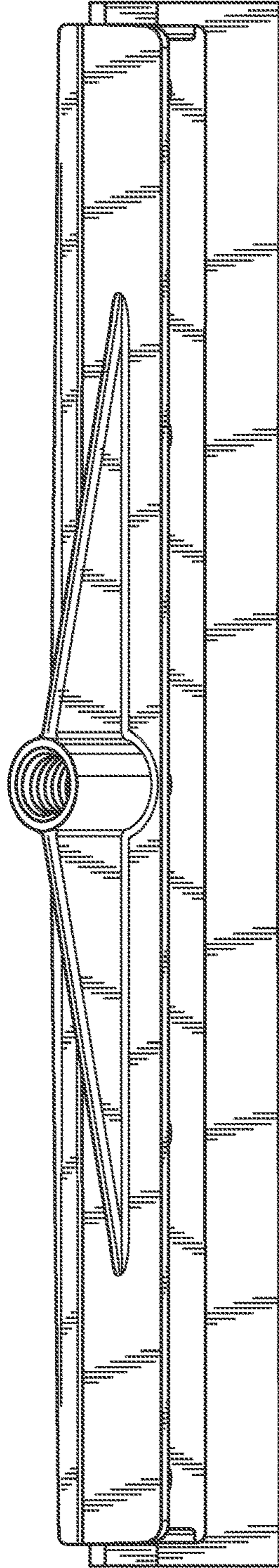


FIG. 7