



US00D844270S

(12) **United States Design Patent**
Rivers

(10) **Patent No.:** **US D844,270 S**

(45) **Date of Patent:** **** Mar. 26, 2019**

(54) **FITTED SHEET FOLDING DEVICE**

(71) Applicant: **Penney C. Rivers**, Gatesville, TX (US)

(72) Inventor: **Penney C. Rivers**, Gatesville, TX (US)

(**) Term: **15 Years**

(21) Appl. No.: **29/605,371**

(22) Filed: **May 25, 2017**

(51) **LOC (11) Cl.** **07-05**

(52) **U.S. Cl.**
USPC **D32/35**; D6/606

(58) **Field of Classification Search**
USPC D32/35; D2/999; D6/606, 602, 595
CPC A47G 9/02; A47G 9/0284
See application file for complete search history.

(56) **References Cited**

U.S. PATENT DOCUMENTS

D35,049 S *	9/1901	Mawson	D2/840
6,360,927 B1 *	3/2002	Barker	D06F 89/02 223/37
D475,193 S *	6/2003	Fernandez	B65B 63/045 D2/999
8,887,327 B2 *	11/2014	Davis, Jr.	A61G 7/1074 5/420
9,022,259 B2 *	5/2015	Breier	D06F 89/023 223/38

D743,690 S *	11/2015	Kumar	D2/999
D790,845 S *	7/2017	Greenspon	D2/999
D814,725 S *	4/2018	Alexander	D32/35
D829,005 S *	9/2018	Zhou	D4/128
2015/0307165 A1 *	10/2015	Patton	B63B 35/7916 441/74
2016/0213109 A1 *	7/2016	Van der Laan	A45C 3/004

* cited by examiner

Primary Examiner — Robin V Webster

Assistant Examiner — J. Thorn, Sr.

(74) *Attorney, Agent, or Firm* — Hulsey P.C.

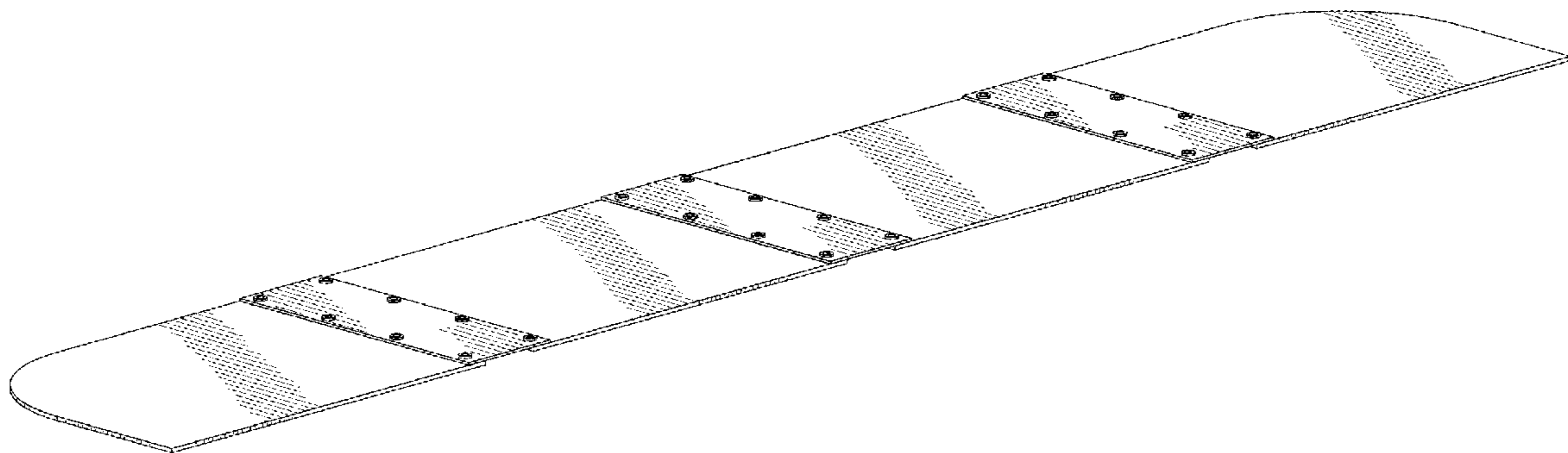
(57) **CLAIM**

The ornamental design for a fitted sheet folding device, as shown and described.

DESCRIPTION

FIG. 1 is a perspective view of fitted sheet folding device showing my new design, in the open position;
FIG. 2 is a left side view in a closed position thereof.
FIG. 3 is a right side view in a closed position thereof.
FIG. 4 is a top plan view in an open position thereof.
FIG. 5 is a bottom plan in an open position view thereof.
FIG. 6 is a front view in an open position thereof; and,
FIG. 7 is back view in an open position thereof.

1 Claim, 2 Drawing Sheets



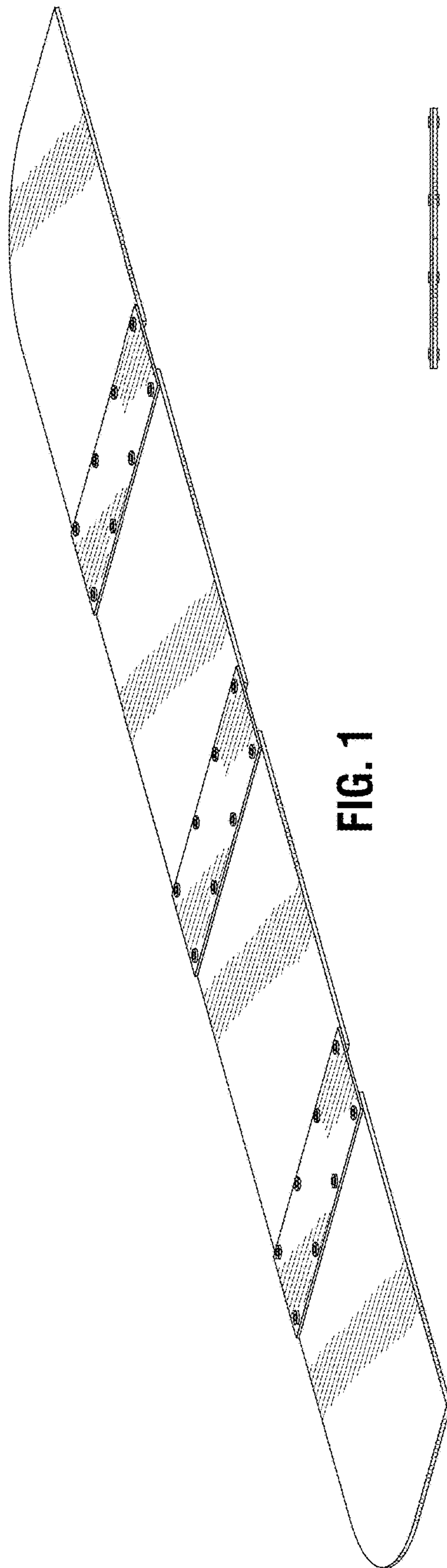


FIG. 1



FIG. 2



FIG. 3

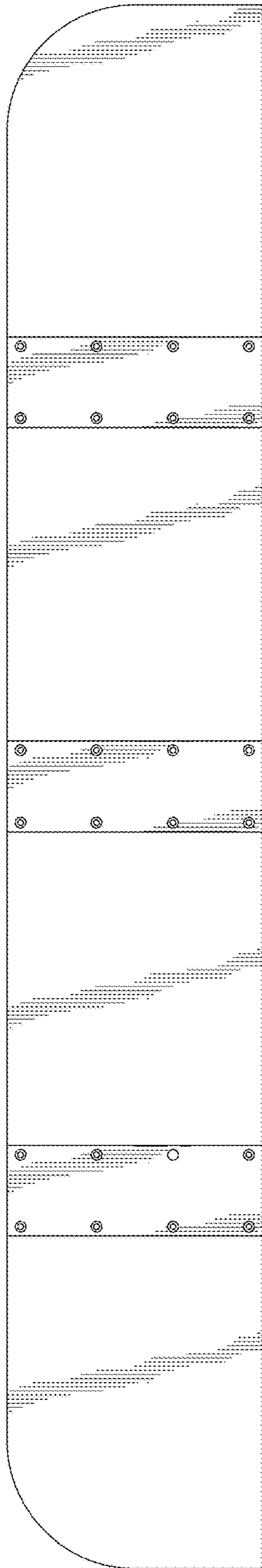


FIG. 4

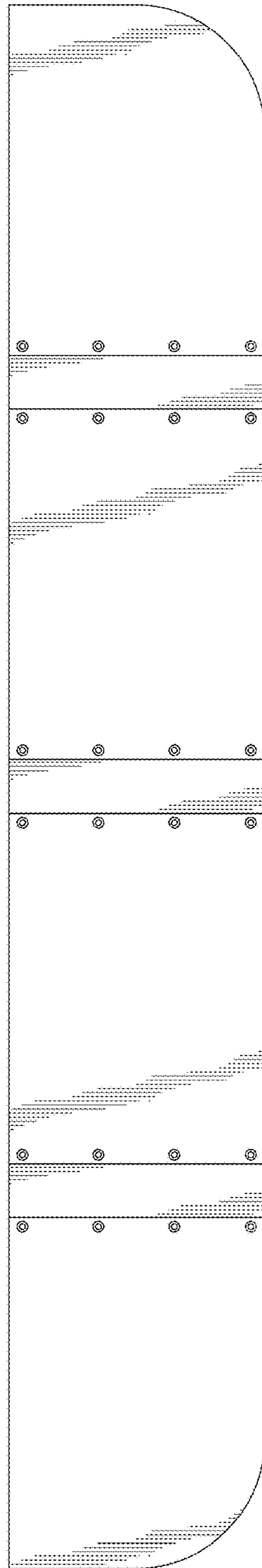


FIG. 5

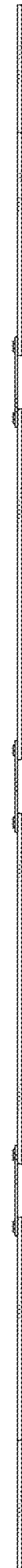


FIG. 6

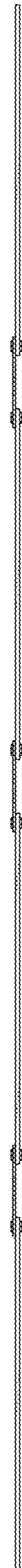


FIG. 7