



US00D844269S

(12) **United States Design Patent**  
**Ferrise**

(10) **Patent No.:** **US D844,269 S**

(45) **Date of Patent:** **\*\* Mar. 26, 2019**

- (54) **PAINTING TOOL ADAPTOR**
- (71) Applicant: **Joseph Ferrise**, Allen Park, MI (US)
- (72) Inventor: **Joseph Ferrise**, Allen Park, MI (US)
- (\*\*) Term: **15 Years**
- (21) Appl. No.: **29/575,744**
- (22) Filed: **Aug. 29, 2016**
- (51) **LOC (11) Cl.** ..... **15-05**
- (52) **U.S. Cl.**  
USPC ..... **D32/35; D4/122**
- (58) **Field of Classification Search**  
USPC ..... D4/114, 115, 116, 122, 137, 132, 120,  
D4/121, 138, 128, 131, 136, 133, 134,  
D4/135, 117, 118, 119, 123, 127, 130,  
D4/199, 101; D32/35  
CPC ..... B05C 1/00; B05C 1/02; B05C 17/0205;  
B44D 2/00  
See application file for complete search history.

- D656,737 S \* 4/2012 Crawley ..... D4/122
- D700,784 S \* 3/2014 Arvinte ..... D4/122
- D796,211 S \* 9/2017 Getchell ..... D4/122
- D800,455 S \* 10/2017 Ferris ..... D4/122
- D814,802 S \* 4/2018 Arvinte ..... D4/122

\* cited by examiner

*Primary Examiner* — Michelle E. Wilson  
(74) *Attorney, Agent, or Firm* — Varnum, Riddering,  
Schmidt and Howlett, LLP

(57) **CLAIM**

The ornamental design for a painting tool adaptor, as shown and described.

**DESCRIPTION**

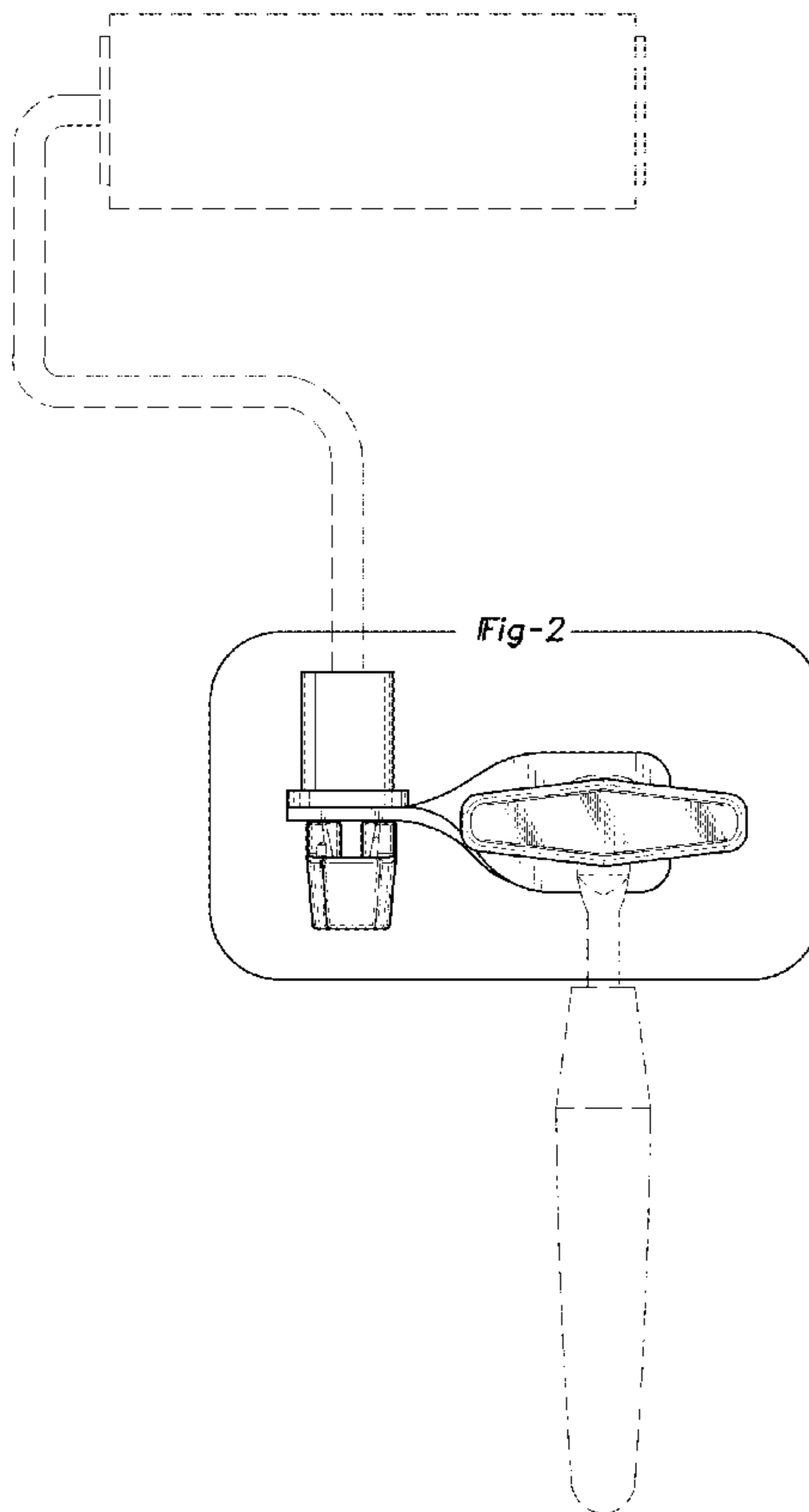
FIG. 1 is a frontal view of the painting tool adaptor, showing my new design;  
FIG. 2 is a close up frontal view of the painting tool adaptor thereof;  
FIG. 3 is a side view of the painting tool adaptor thereof;  
FIG. 4 is a top view of the painting tool adaptor thereof;  
FIG. 5 is a bottom view of the painting tool adaptor thereof;  
FIG. 6 is a rear view of the painting tool adaptor thereof;  
and,  
FIG. 7 is an alternative side view of the painting tool adaptor thereof.

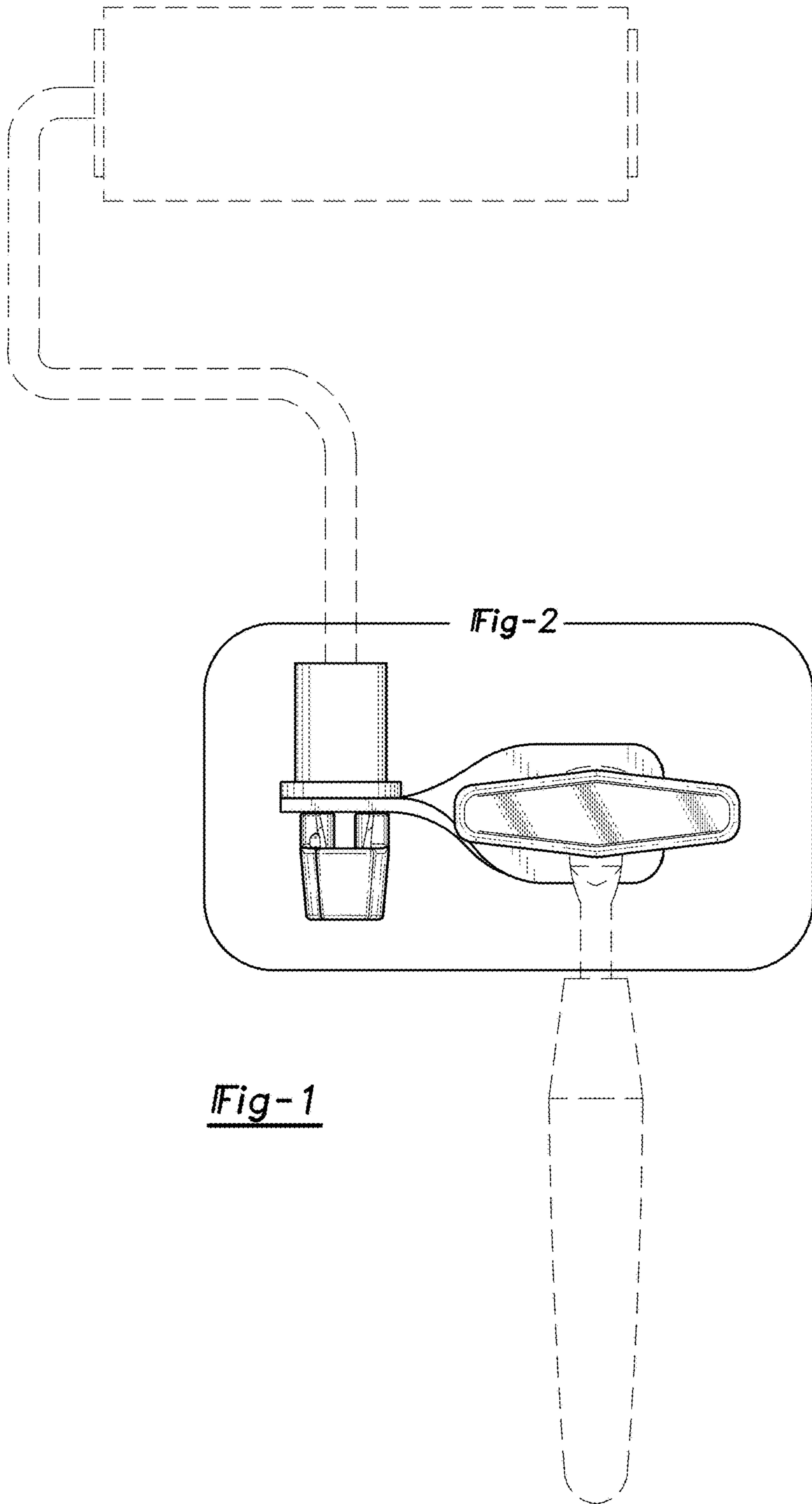
**1 Claim, 4 Drawing Sheets**

(56) **References Cited**

U.S. PATENT DOCUMENTS

- D331,650 S \* 12/1992 Newman, Sr. .... D32/35
- D342,290 S \* 12/1993 Betzold-Wiley ..... D21/532
- D342,356 S \* 12/1993 Gratopp ..... D32/35
- D655,919 S \* 3/2012 Daley ..... D4/114





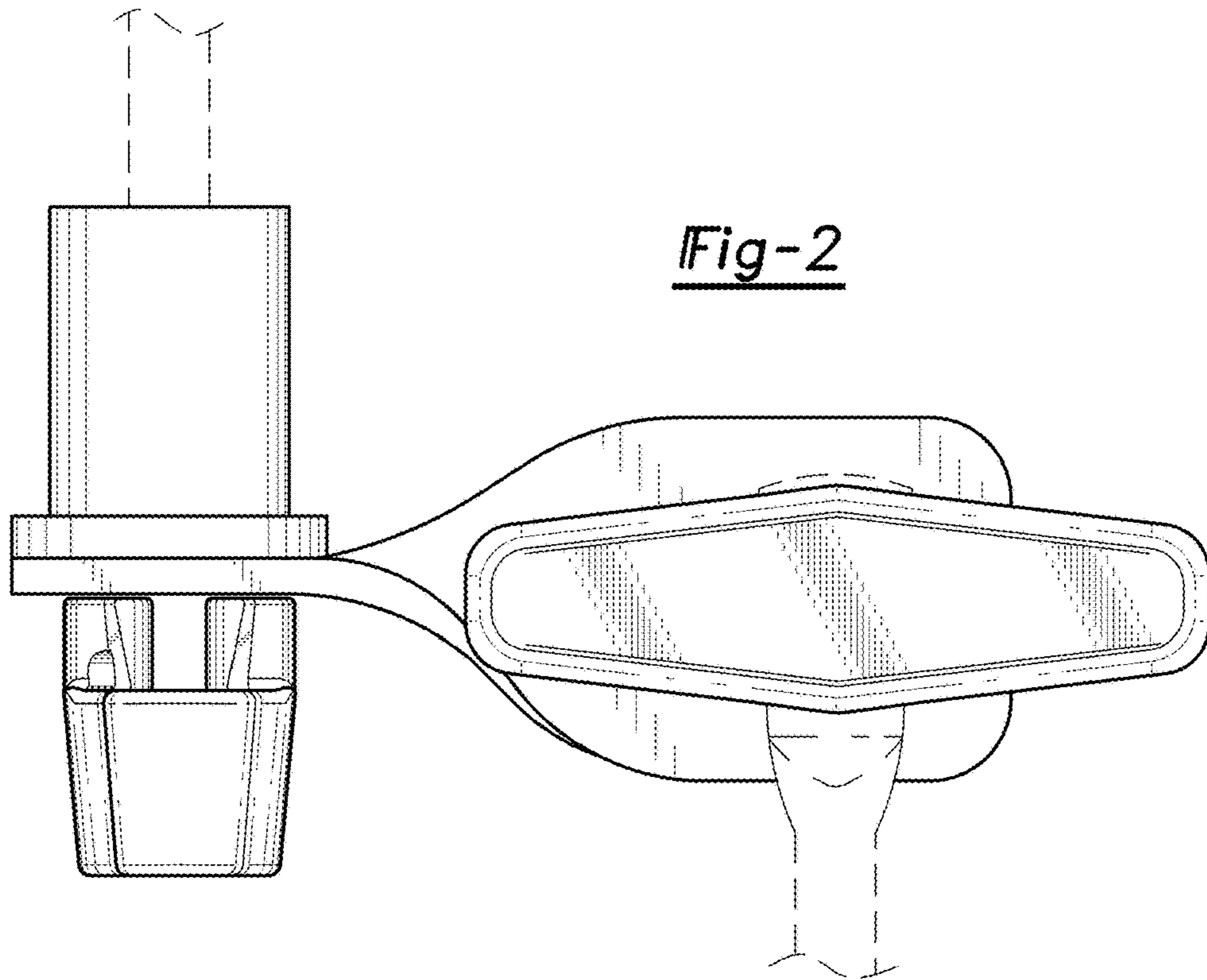


Fig-2

Fig-3

