



US00D844266S

(12) **United States Design Patent**
Wang

(10) **Patent No.:** **US D844,266 S**

(45) **Date of Patent:** **** Mar. 26, 2019**

(54) **VEHICLE VACUUM CLEANER**

(71) Applicant: **Quanfei Wang, Yuyao (CN)**

(72) Inventor: **Quanfei Wang, Yuyao (CN)**

(**) Term: **15 Years**

(21) Appl. No.: **29/612,815**

(22) Filed: **Aug. 4, 2017**

(51) **LOC (11) Cl.** **15-05**

(52) **U.S. Cl.**
USPC **D32/18**

(58) **Field of Classification Search**
USPC D32/17, 18, 22, 31
CPC ... A47L 5/24; A47L 5/362; A47L 5/36; A47L
5/28; A47L 9/102; A47L 9/1683; B01D
50/002
See application file for complete search history.

(56) **References Cited**

U.S. PATENT DOCUMENTS

D356,191 S * 3/1995 Phelan D32/18
D441,152 S * 4/2001 Stratford D32/18

D441,926 S * 5/2001 Stratford D32/18
D515,258 S * 2/2006 Robson D32/18
D564,151 S * 3/2008 Fjellman D32/18
D564,153 S * 3/2008 Fjellman D32/18
D565,811 S * 4/2008 Fjellman D32/18
D565,812 S * 4/2008 Fjellman D32/18
D720,102 S * 12/2014 Gu D32/18

* cited by examiner

Primary Examiner — Ruth McInroy

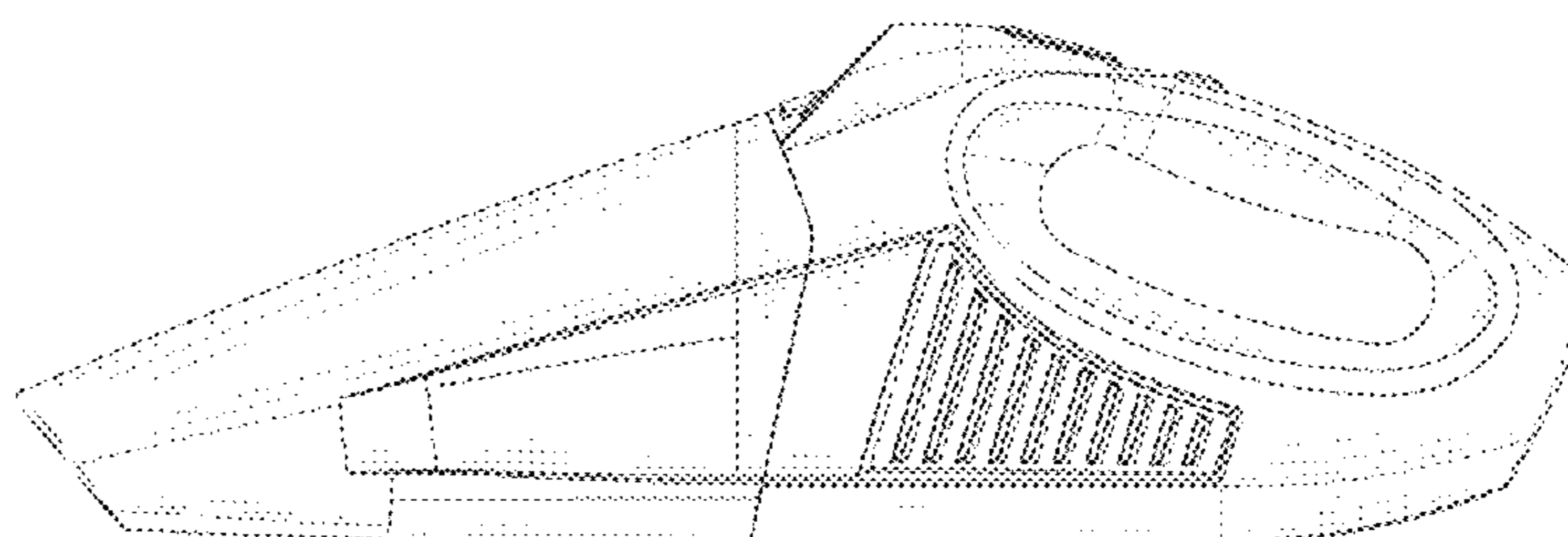
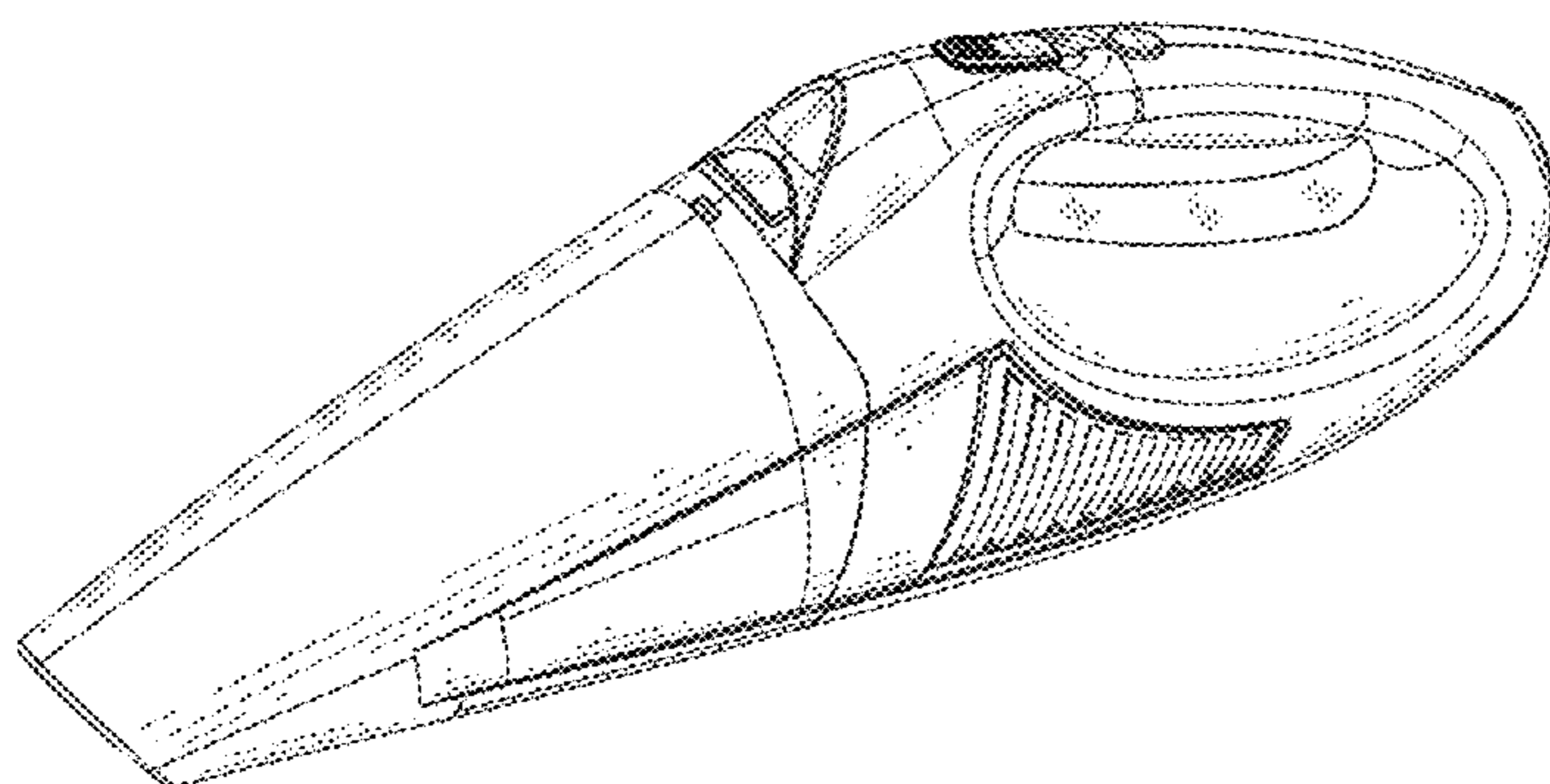
(57) **CLAIM**

I claim the ornamental design for a vehicle vacuum cleaner, as shown and described.

DESCRIPTION

FIG. 1 is a perspective view of a vehicle vacuum cleaner showing the new design;
FIG. 2 is a front side view thereof;
FIG. 3 is a back side view thereof;
FIG. 4 is a top view thereof;
FIG. 5 is a bottom view thereof;
FIG. 6 is a right side view thereof; and,
FIG. 7 is a left side view thereof.

1 Claim, 7 Drawing Sheets



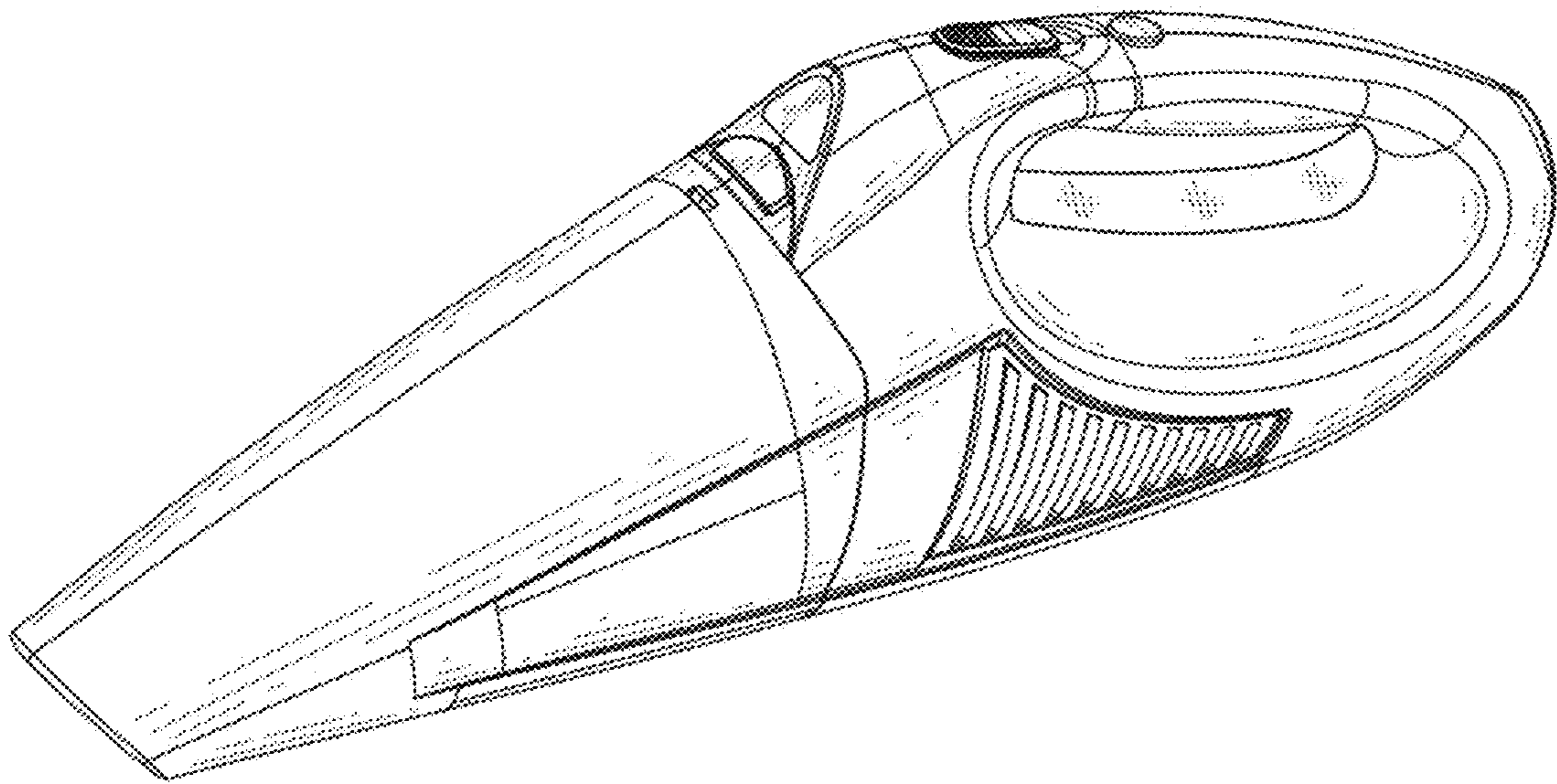


FIG. 1

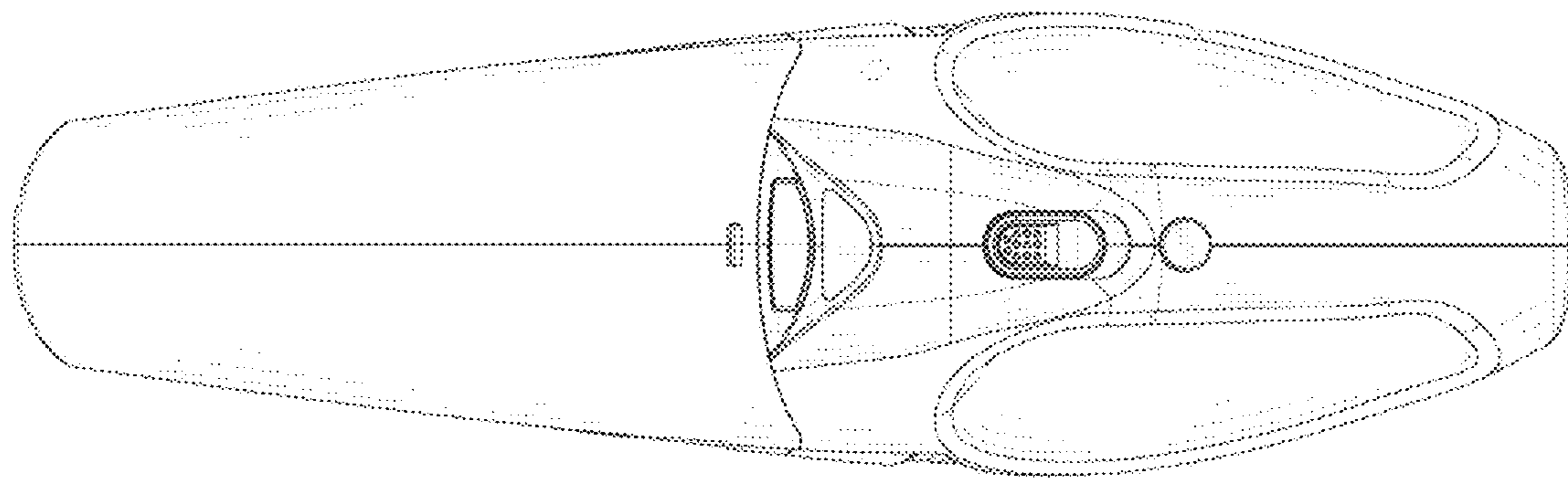


FIG. 2

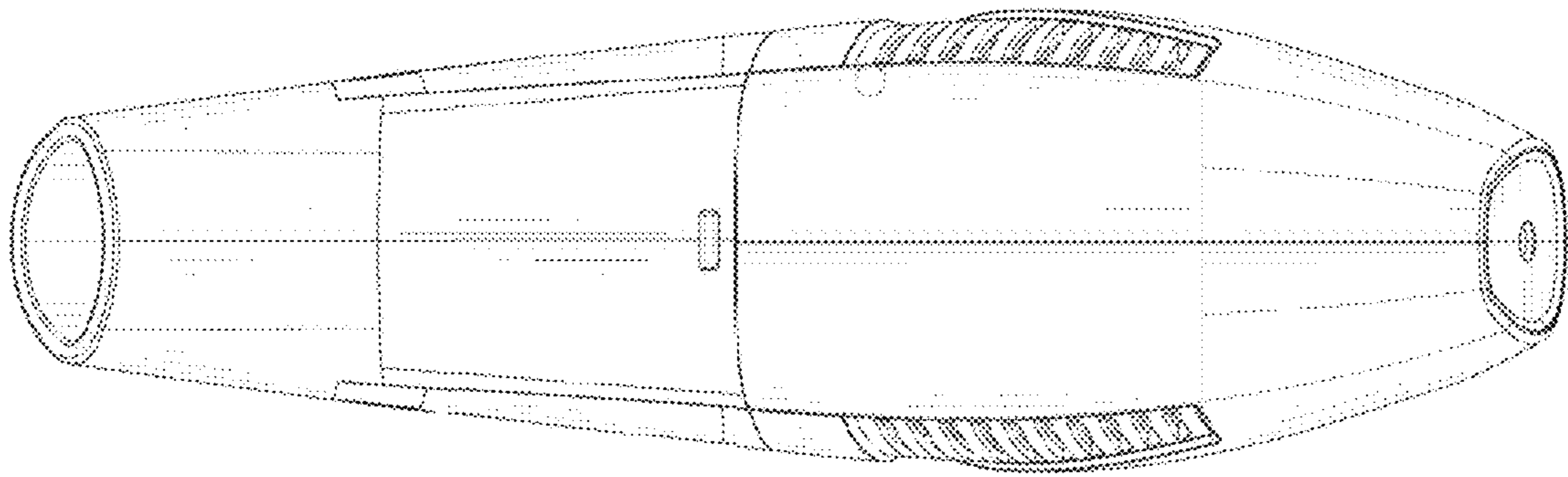


FIG. 3

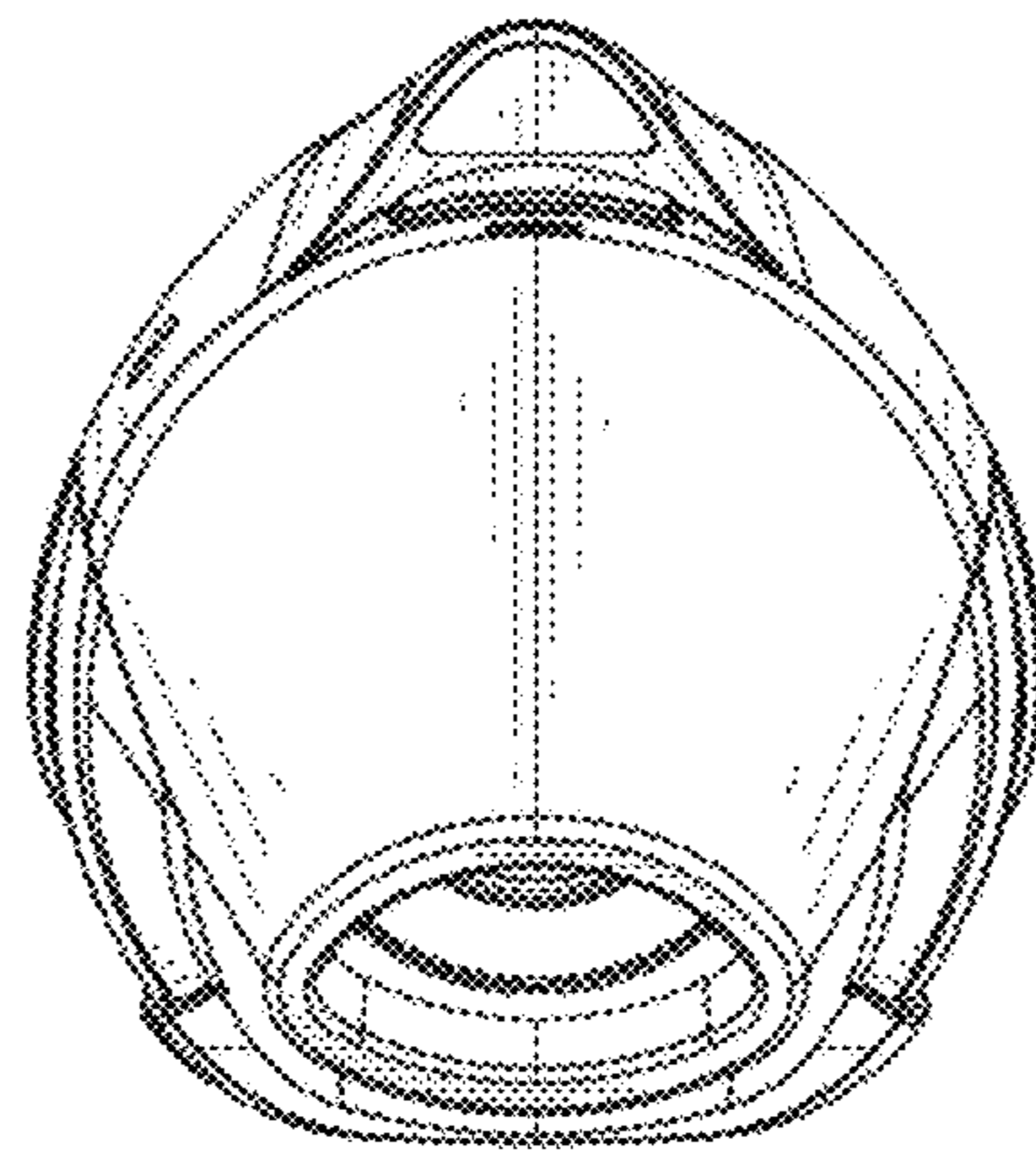


FIG. 4

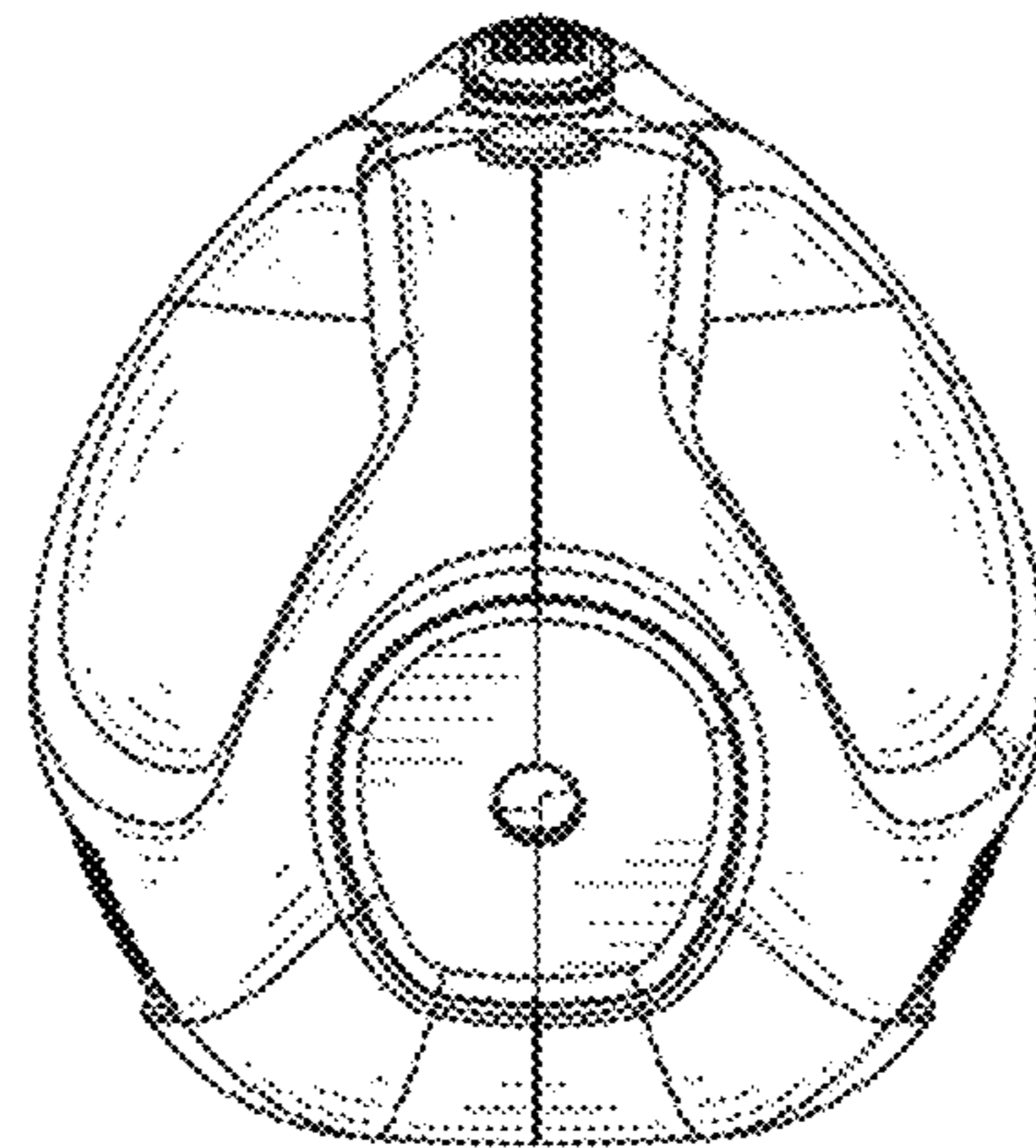


FIG. 5

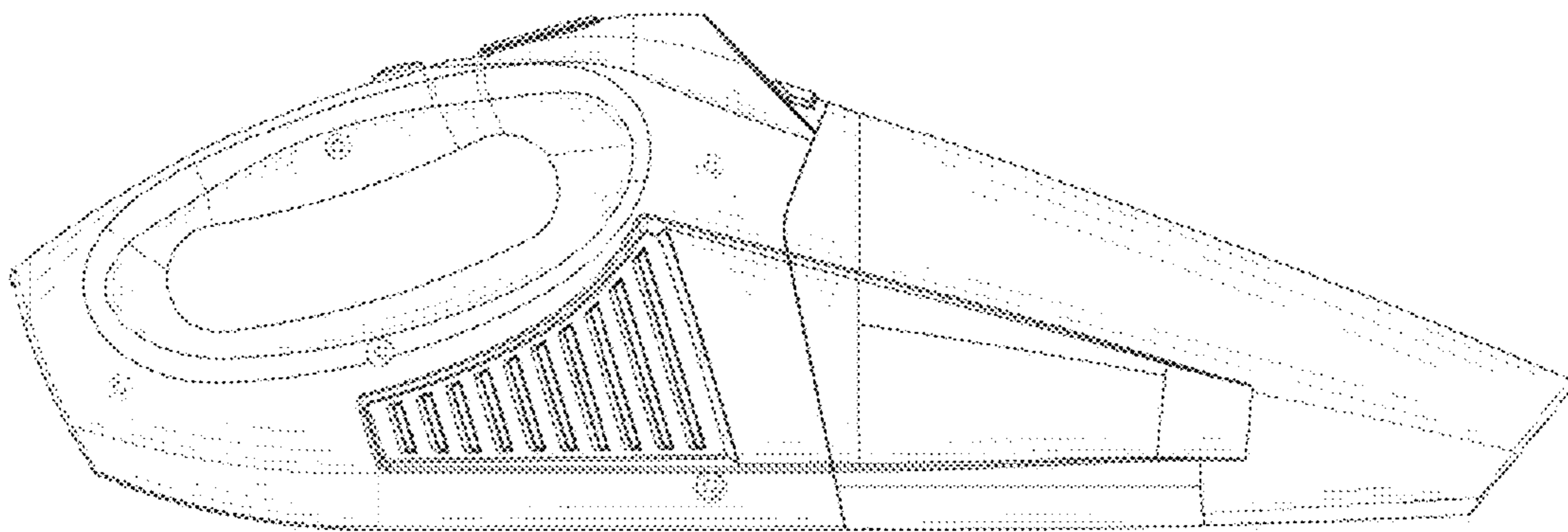


FIG. 6

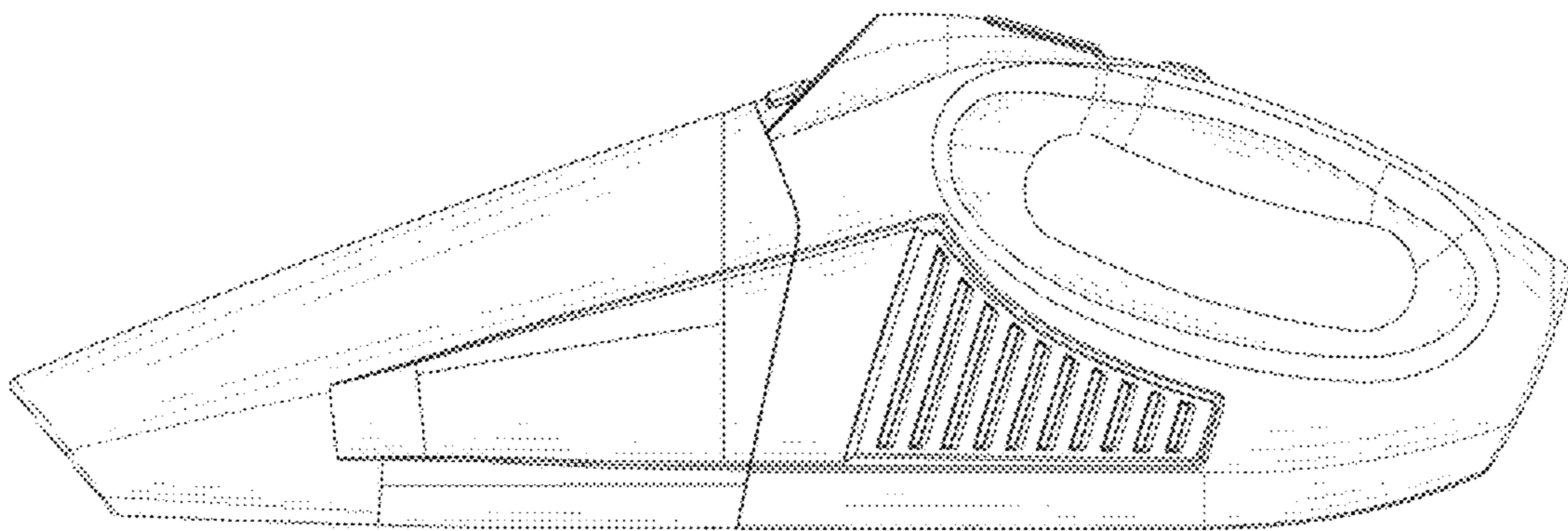


FIG. 7