



US00D844265S

(12) **United States Design Patent**
Burgess et al.

(10) **Patent No.:** **US D844,265 S**

(45) **Date of Patent:** **** Mar. 26, 2019**

- (54) **HANDHELD VACUUM CLEANER**
- (71) Applicant: **TTI (Macao Commercial Offshore) Limited**, Macau (MO)
- (72) Inventors: **Roddy Burgess**, Charlotte, NC (US); **Robert Patrick Warren**, Charlotte, NC (US)
- (73) Assignee: **TTI (Macao Commercial Offshore) Limited**, Praia Grande, Macau
- (**) Term: **15 Years**
- (21) Appl. No.: **29/600,733**
- (22) Filed: **Apr. 14, 2017**
- (30) **Foreign Application Priority Data**

- Oct. 14, 2016 (CN) 2016 3 0504106
- (51) **LOC (11) Cl.** **15-05**
- (52) **U.S. Cl.**
USPC **D32/18**
- (58) **Field of Classification Search**
USPC D32/21-24, 31, 34, 17-18
CPC A47L 5/24; A47L 5/22; A47L 5/28; A47L 5/225; A47L 5/362; A47L 5/365; A47L 9/2842; A47L 9/24; A47L 9/248
See application file for complete search history.

(56) **References Cited**
U.S. PATENT DOCUMENTS

2,729,303	A	1/1956	McMahan	
D277,516	S *	2/1985	Hayden	15/344
D304,250	S *	10/1989	Hassel	D32/18
6,029,309	A	3/2000	Imamura	
6,058,560	A	5/2000	Gab et al.	
6,237,648	B1	5/2001	Busacca et al.	
6,256,834	B1	7/2001	Meijer et al.	
D449,138	S *	10/2001	Dodson	D32/18
6,571,422	B1	6/2003	Gordon et al.	

7,143,467	B2	12/2006	Seith	
7,237,298	B2	7/2007	Reindle et al.	
7,254,865	B2	8/2007	Bosses	
7,310,854	B2	12/2007	Nam et al.	
7,325,272	B2	2/2008	Bosses	
7,424,766	B2	9/2008	Reindle et al.	
7,468,083	B2	12/2008	Davis et al.	

(Continued)

FOREIGN PATENT DOCUMENTS

AU	2011265411	A1	7/2012	
CH	408311	A	2/1966	

(Continued)

OTHER PUBLICATIONS

Dirt Devil Hand Vac Owner's Manual for Model No. 1-500181-001, 1995, (8 pages).

(Continued)

Primary Examiner — Ruth McInroy

(74) *Attorney, Agent, or Firm* — Michael Best & Friedrich LLP

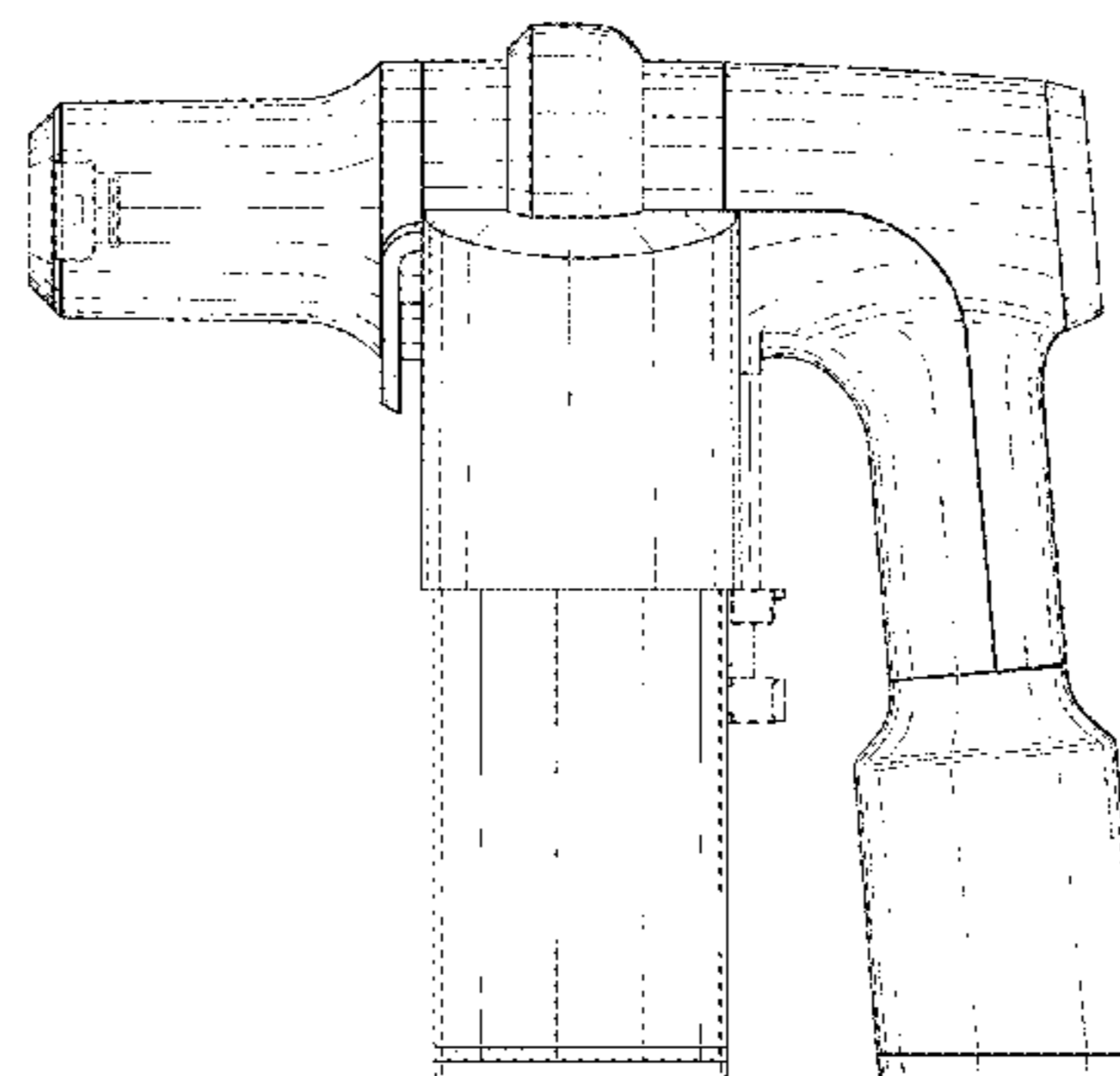
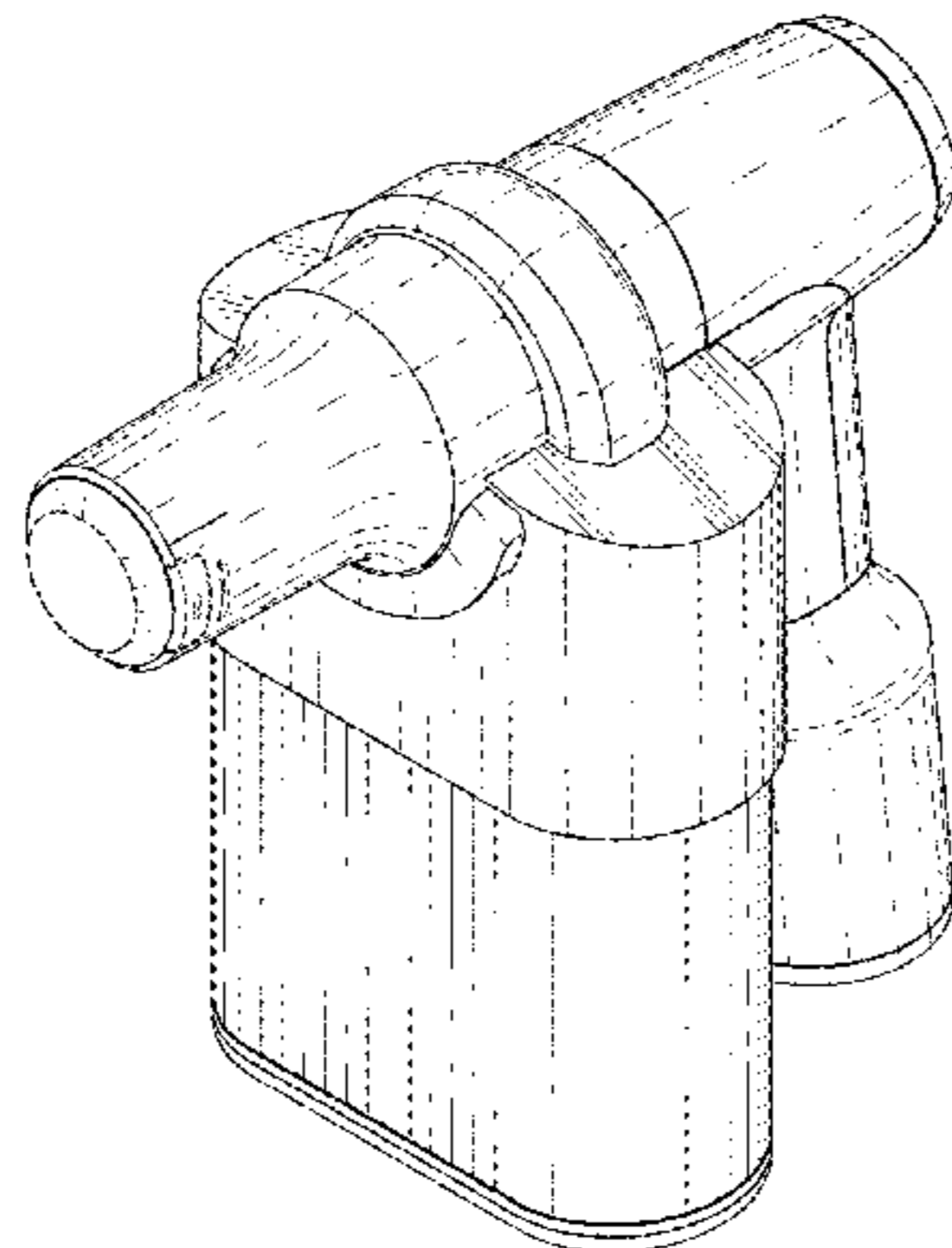
(57) **CLAIM**

We claim the ornamental design for a handheld vacuum cleaner, as shown and described.

DESCRIPTION

FIG. 1 is a perspective view of a handheld vacuum cleaner showing our new design;
 FIG. 2 is a left side view thereof;
 FIG. 3 is a right side view thereof;
 FIG. 4 is a front view thereof;
 FIG. 5 is a rear view thereof;
 FIG. 6 is a top view thereof; and,
 FIG. 7 is a bottom view thereof.
 The elements shown in broken lines form no part of the claimed design.

1 Claim, 7 Drawing Sheets



(56)

References Cited

U.S. PATENT DOCUMENTS

7,509,707 B2	3/2009	Pullins	CN	1463669 A	12/2003
7,599,758 B2	10/2009	Reindle et al.	CN	1765306 A	5/2006
7,673,368 B2	3/2010	Cloud, III	CN	1951295 A	4/2007
7,770,253 B2	8/2010	Ha et al.	CN	1954754 A	5/2007
7,785,396 B2	8/2010	Hwang et al.	CN	1954766 A	5/2007
7,823,249 B2	11/2010	Zahuranec et al.	CN	1973749 A	6/2007
D635,728 S *	4/2011	Fjellman D32/22	CN	201015573 Y	2/2008
7,958,598 B2	6/2011	Yun et al.	CN	100374062 C	3/2008
7,998,234 B2	8/2011	Hwang et al.	CN	100382739 C	4/2008
8,012,250 B2	9/2011	Hwang et al.	CN	101229029 A	7/2008
8,021,452 B2	9/2011	Hwang et al.	CN	201153911 Y	11/2008
8,043,397 B2	10/2011	Hwang et al.	CN	101313832 A	12/2008
8,043,410 B2	10/2011	Hwang et al.	CN	201167925 Y	12/2008
8,060,979 B2	11/2011	Hwang et al.	CN	100450412 A	1/2009
8,092,562 B2	1/2012	Sauer et al.	CN	101387876 A	3/2009
8,099,825 B2	1/2012	Zahuranec et al.	CN	101558970 A	10/2009
8,240,001 B2	8/2012	Hwang et al.	CN	101558976 A	10/2009
D668,824 S *	10/2012	Miers D32/18	CN	100571593 C	12/2009
8,286,299 B2 *	10/2012	Williams A47L 9/242 15/300.1	CN	101596086 A	12/2009
8,302,250 B2	11/2012	Dyson et al.	CN	101612016 A	12/2009
8,312,593 B2	11/2012	Hwang et al.	CN	101756674 A	6/2010
8,404,034 B2	3/2013	Hwang et al.	CN	101822508 A	9/2010
8,449,639 B2	5/2013	Sauer et al.	CN	101945607 A	1/2011
8,460,256 B2	6/2013	Michaels et al.	CN	101953666 A	1/2011
8,661,610 B2	3/2014	Liu et al.	CN	201734660 U	2/2011
D703,890 S *	4/2014	Shin D32/18	CN	102068220 A	5/2011
8,689,398 B2	4/2014	Chung et al.	CN	102256524 A	11/2011
8,726,457 B2	5/2014	Liu et al.	CN	102599857 A	7/2012
8,726,459 B2	5/2014	Yun et al.	CN	202288130 U	7/2012
8,806,705 B2 *	8/2014	Minor A01G 20/43 15/344	CN	202526083 U	11/2012
8,916,002 B1	12/2014	Landolt	CN	103037746 A	4/2013
9,015,897 B2	4/2015	Jonsson et al.	CN	202932857 U	5/2013
D731,136 S *	6/2015	Yun D32/34	CN	203138359 U	8/2013
D731,720 S *	6/2015	Gidwell D32/18	CN	203302992 U	11/2013
D731,724 S *	6/2015	Cheon D32/22	CN	203314892 U	12/2013
9,113,764 B2	8/2015	Theising	CN	103874446 A	6/2014
D738,584 S *	9/2015	Niedzwecki D32/18	CN	203861136 U	10/2014
9,138,113 B2	9/2015	Nesom et al.	CN	203861137 U	10/2014
D742,083 S *	10/2015	Gidwell D32/31	CN	203885442 U	10/2014
9,232,879 B2	1/2016	Schultink et al.	CN	203914785 U	11/2014
D770,111 S *	10/2016	Lee D32/34	CN	104224049 A	12/2014
D771,890 S *	11/2016	Kim D32/34	CN	204192519 U	3/2015
D772,512 S *	11/2016	Yoon D32/34	CN	204274321 U	4/2015
D774,260 S *	12/2016	Manning D32/22	CN	205092625 U	3/2016
D775,772 S *	1/2017	Lee D32/31	CN	105496311 A	4/2016
D792,665 S *	7/2017	Salagnac D32/18	CN	105496312 A	4/2016
D798,009 S *	9/2017	Salagnac D32/18	CN	205162973 U	4/2016
D799,767 S *	10/2017	Palladino D32/22	CN	205162975 U	4/2016
D800,977 S *	10/2017	Dammkoehler D32/18	CN	105534412 A	5/2016
D800,978 S *	10/2017	Dammkoehler D32/18	CN	105581731 A	5/2016
D800,980 S *	10/2017	Carter D32/21	CN	105595920 A	5/2016
D804,114 S *	11/2017	Kim D32/18	CN	105640438 A	6/2016
2005/0091784 A1	5/2005	Bone	CN	205458450 U	8/2016
2005/0183230 A1	8/2005	Uehigashi	CN	205514398 U	8/2016
2005/0273968 A1	12/2005	Seith	CN	205514399 U	8/2016
2007/0214597 A1	9/2007	Suzuki	CN	205514400 U	8/2016
2008/0134461 A1	6/2008	Hedelund Nielsen	CN	205514401 U	8/2016
2009/0139048 A1	6/2009	Williams	CN	205649469 U	10/2016
2009/0241285 A1	10/2009	Hinklin et al.	CN	106175594 A	12/2016
2010/0293742 A1	11/2010	Chung et al.	DE	10055926 A1	5/2002
2011/0232687 A1	9/2011	Stein	DE	102007036157 A1	2/2009
2012/0152280 A1	6/2012	Bosses et al.	DE	202008002310 U1	6/2009
2013/0185892 A1	7/2013	Walker	DE	102008010068 A1	8/2009
2016/0051109 A1	2/2016	Hwang et al.	DE	102008038893 A1	2/2010
2017/0000305 A1	1/2017	Gordon et al.	DE	102009035717 A1	2/2011
2017/0258282 A1	9/2017	Shinagawa	DE	102011006542 A1	10/2012

FOREIGN PATENT DOCUMENTS

CN	1090469 C	9/2002	EP	1836941 A2	9/2007
CN	2527215 Y	12/2002	EP	1894507 A1	3/2008
CN	2528381 Y	1/2003	EP	1480545 B1	4/2008
			EP	1318746 B1	9/2009

(56)

References Cited

FOREIGN PATENT DOCUMENTS

EP	1933685	B1	5/2012
EP	2249688	B1	5/2013
EP	2378940	B1	5/2013
EP	2732747	A1	5/2014
EP	2772173	A1	9/2014
EP	2820991	A1	1/2015
GB	2441962	A	3/2008
WO	WO2007033977	A1	3/2007
WO	WO2009011482	A1	1/2009
WO	WO2016206732	A1	12/2016
WO	WO2016096045	A1	1/2017

OTHER PUBLICATIONS

United States Patent Office Action for U.S. Appl. No. 29/600,736 dated Apr. 23, 2018 (8 pages).

United States Patent Office Action for U.S. Appl. No. 15/488,047 dated Sep. 26, 2018 (7 pages).

United States Patent Office Notice of Allowance for U.S. Appl. No. 29/600,736 dated Sep. 18, 2018 (8pages).

* cited by examiner

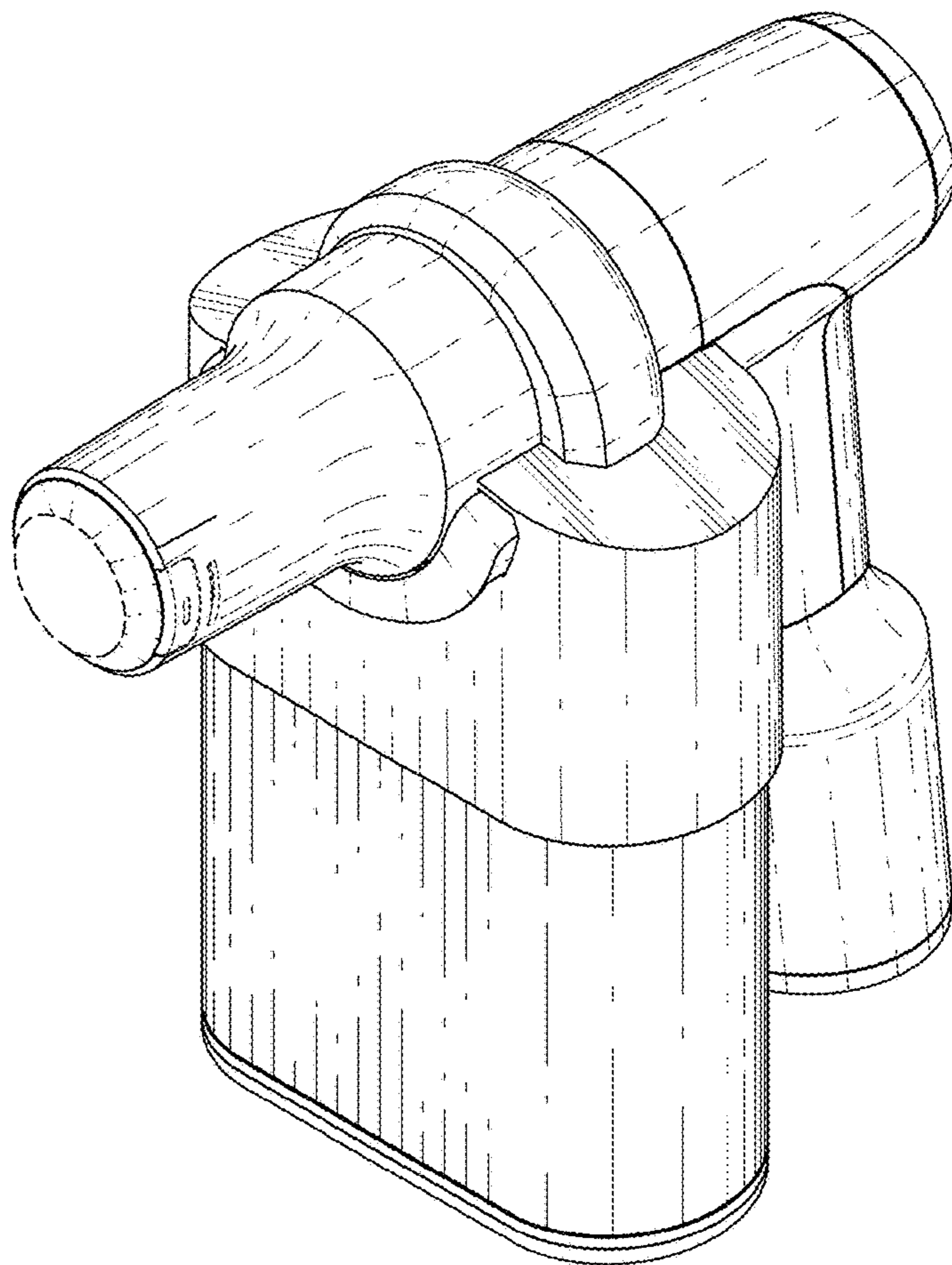


FIG. 1

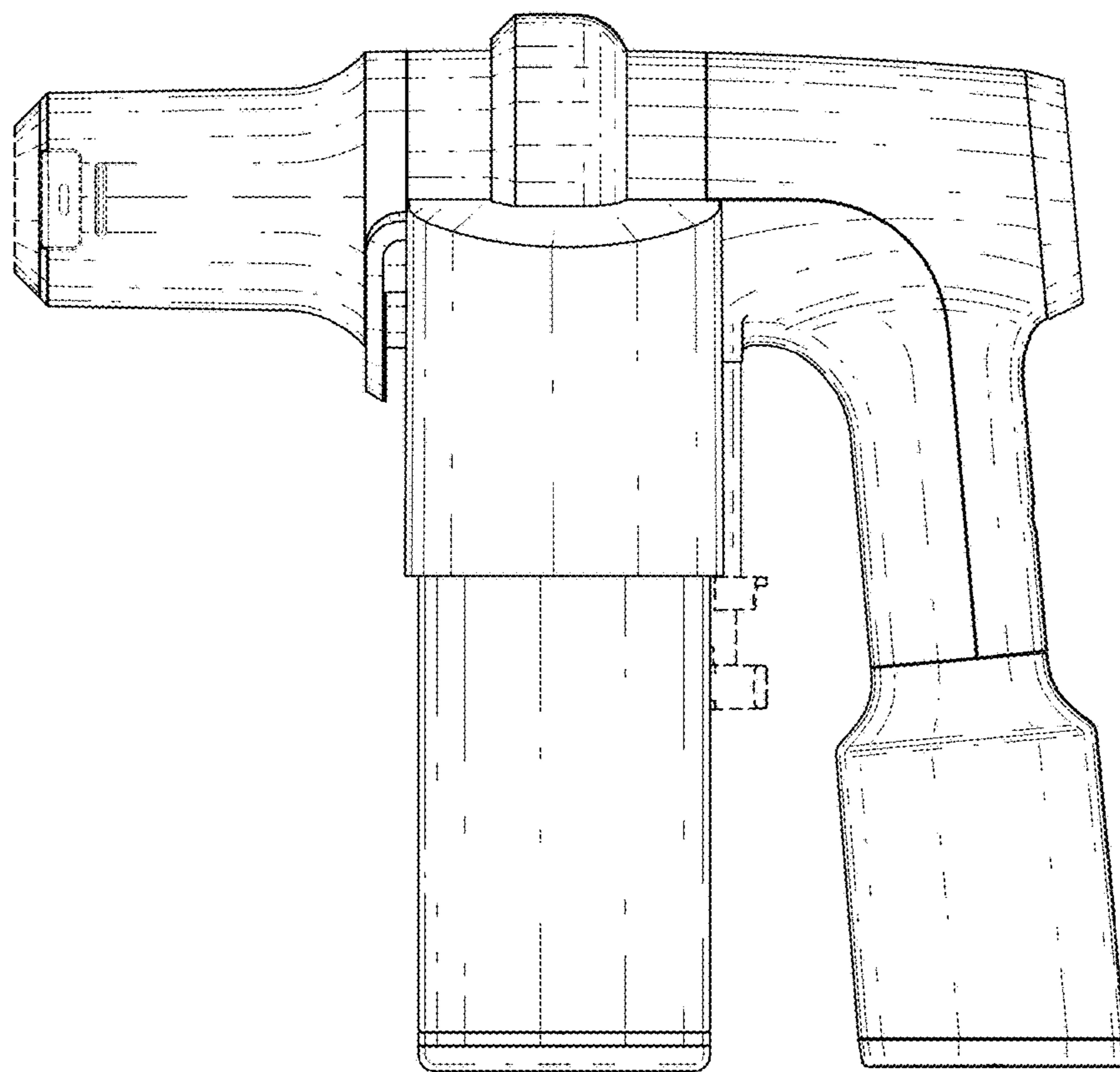


FIG. 2

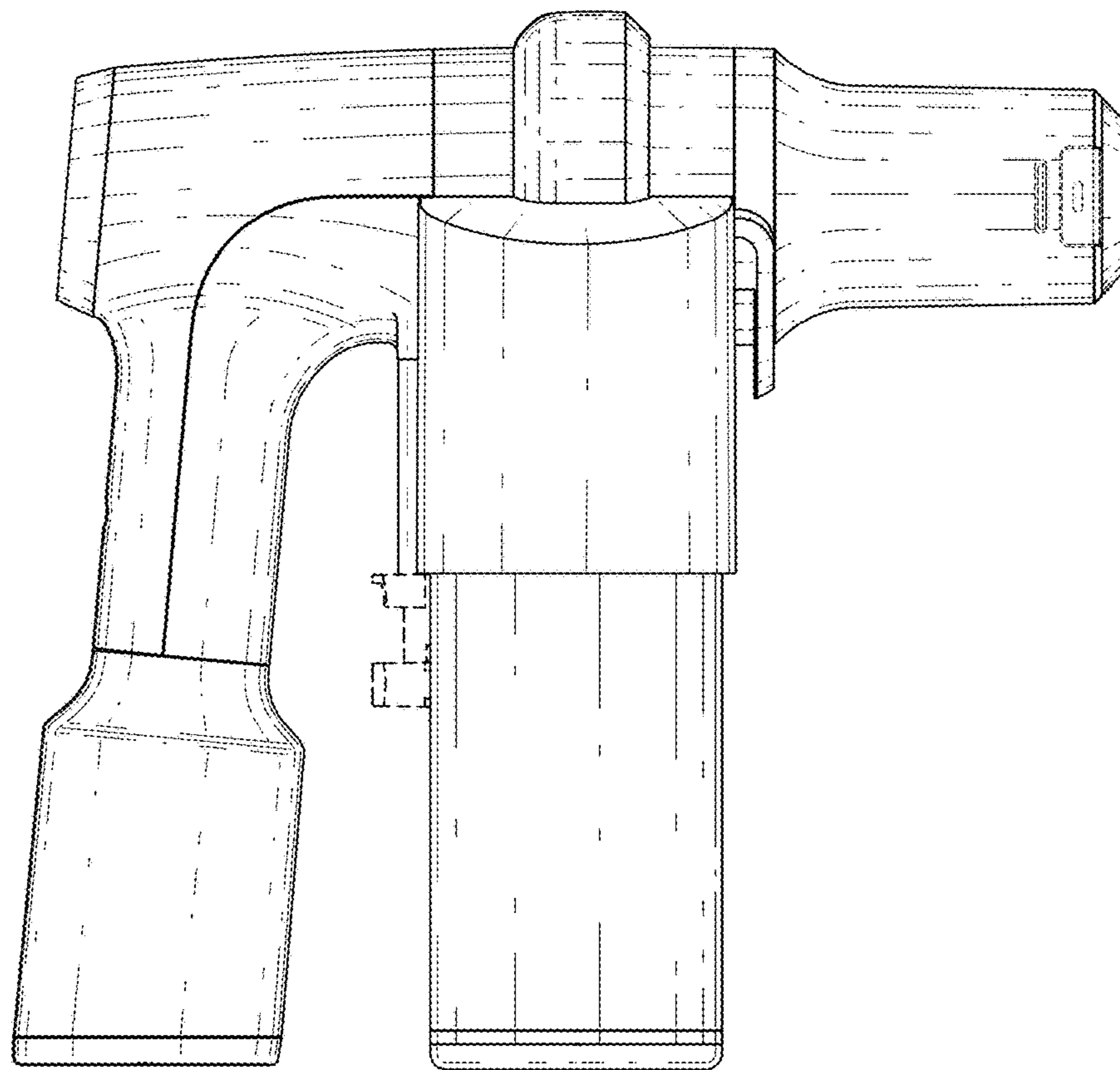


FIG. 3

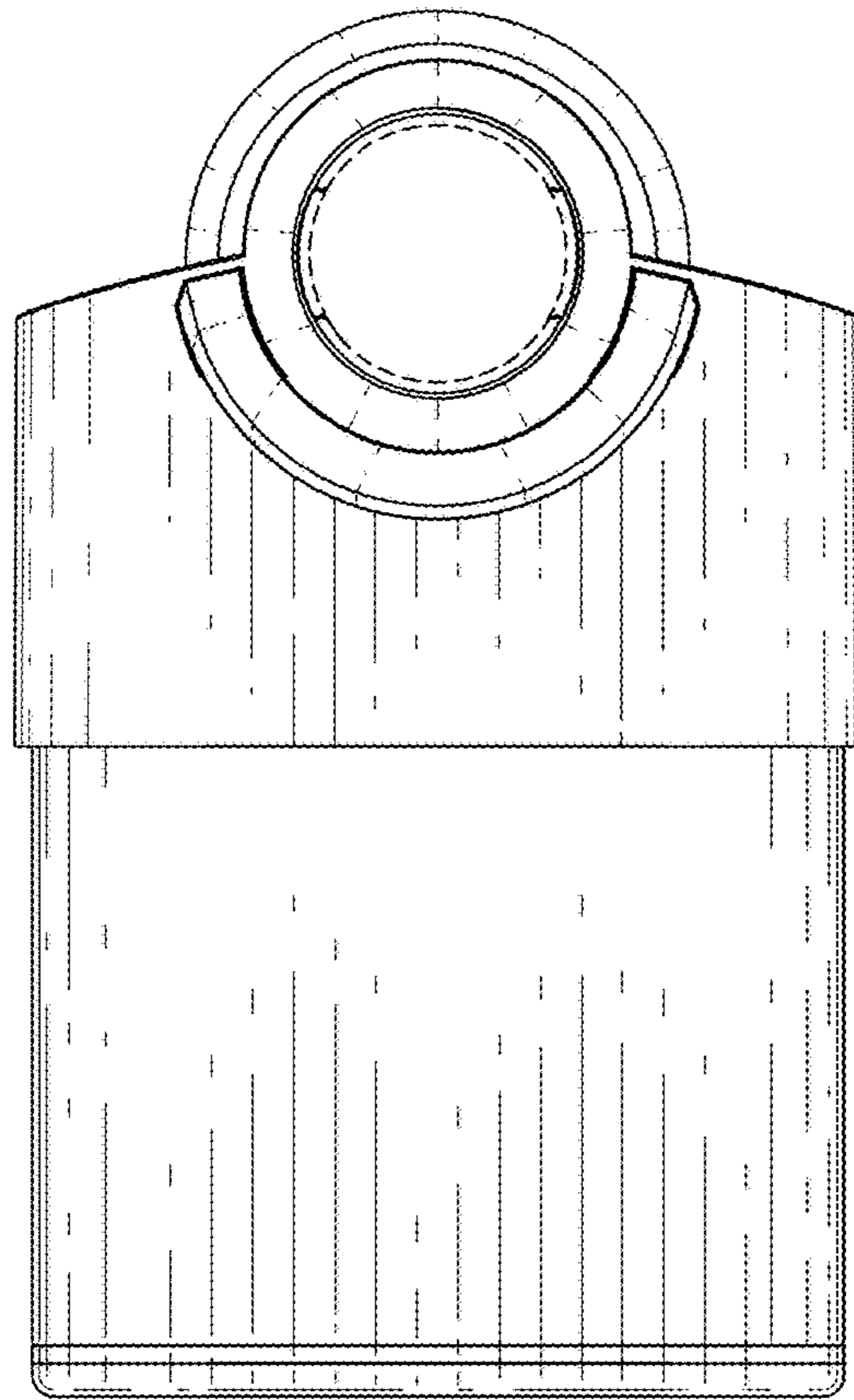


FIG. 4

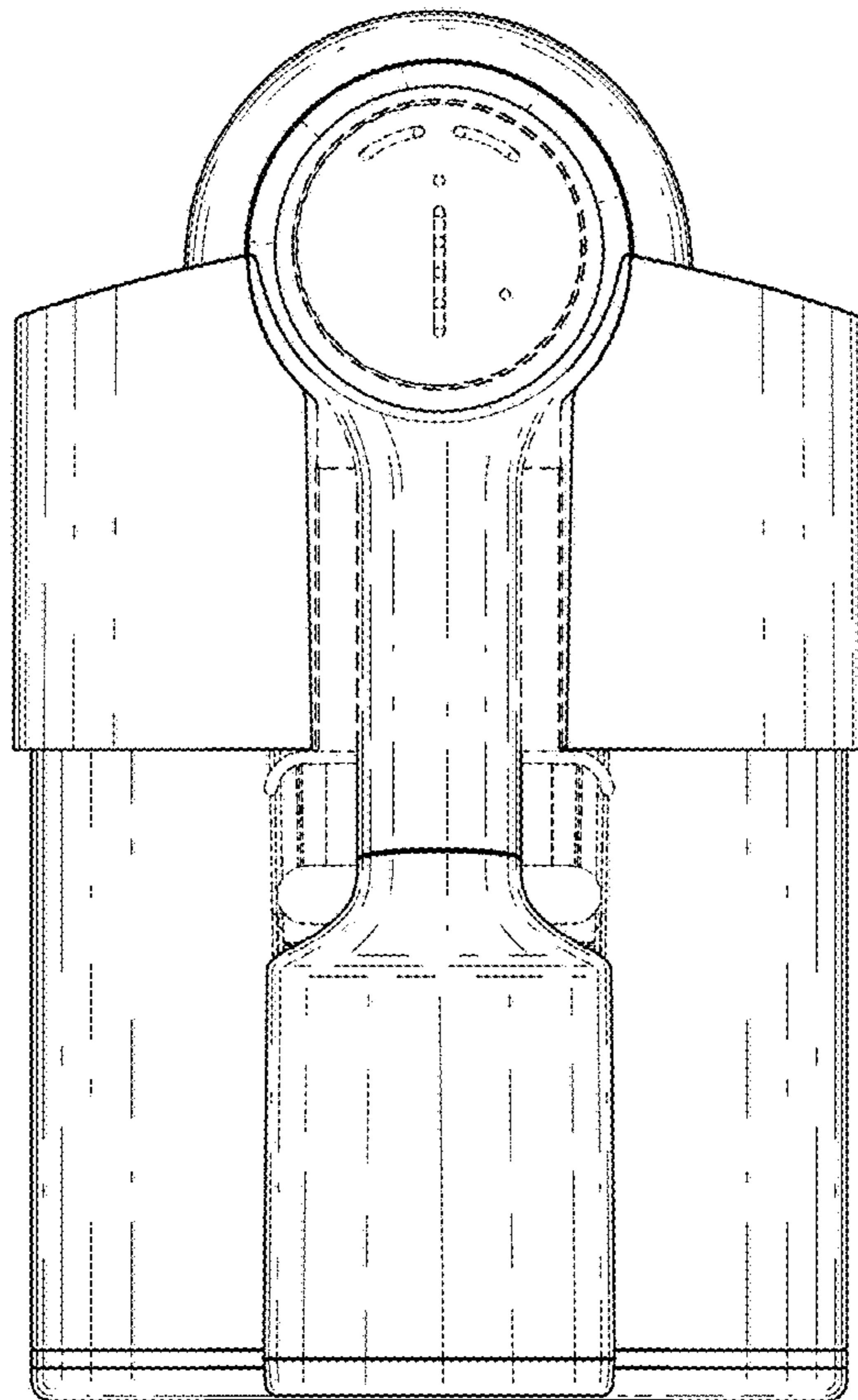


FIG. 5

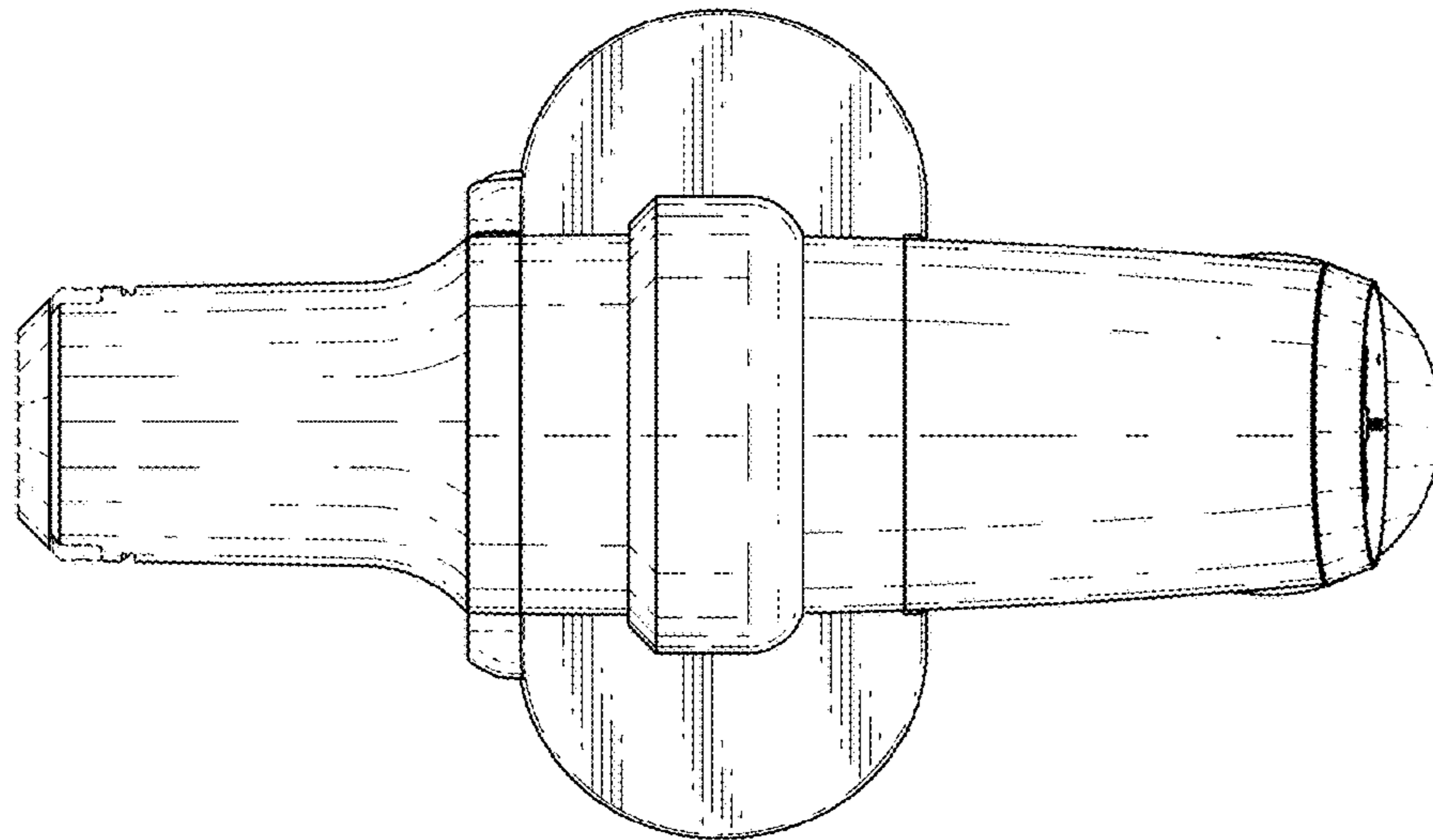


FIG. 6

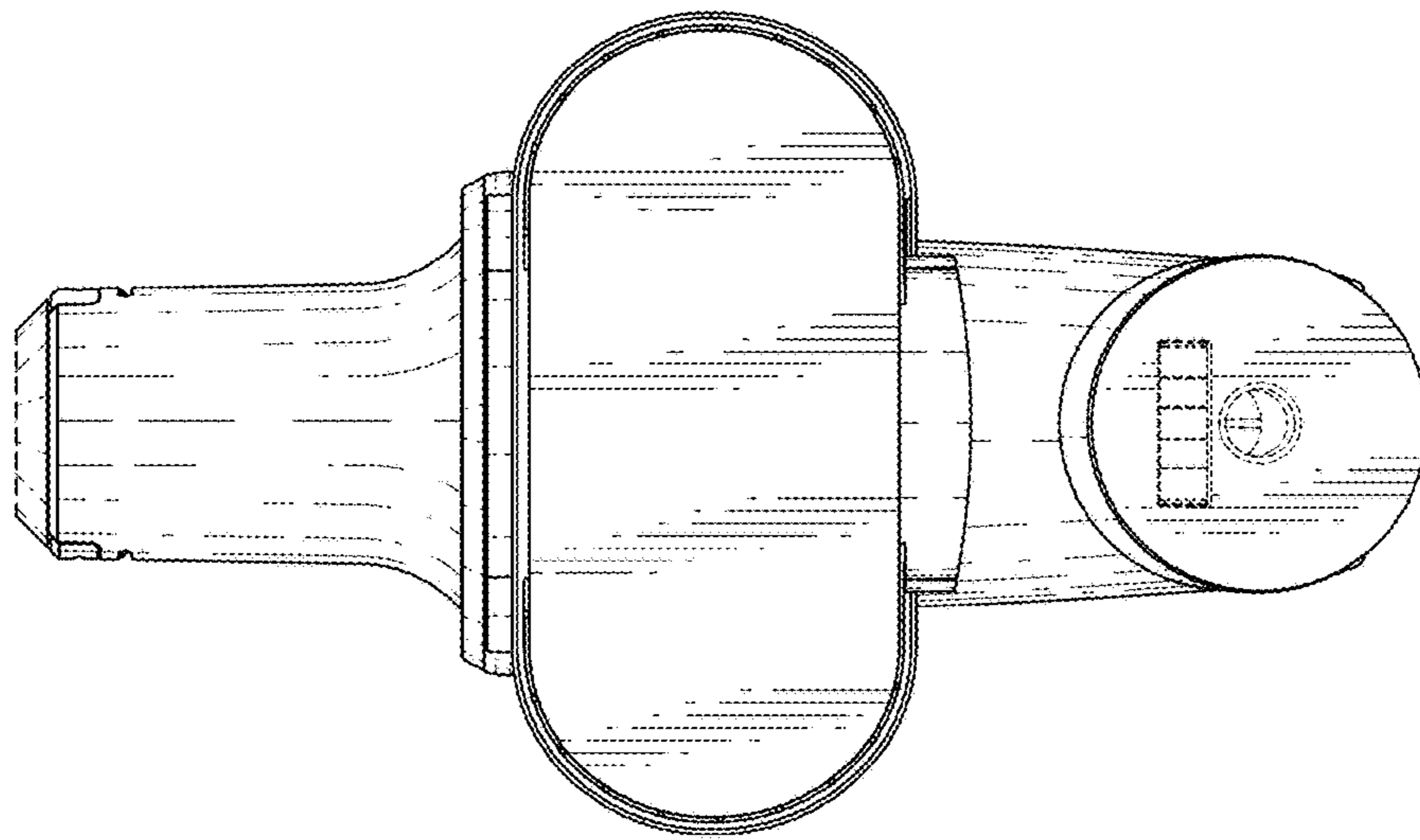


FIG. 7