



US00D844264S

(12) **United States Design Patent**
Irfan et al.

(10) **Patent No.:** **US D844,264 S**
(45) **Date of Patent:** **** Mar. 26, 2019**

(54) **HANDHELD VACUUM CLEANER**
(71) Applicant: **TTI (MACAO COMMERCIAL OFFSHORE) LIMITED**, Macau (MO)
(72) Inventors: **Mohammed Irfan**, Huntersville, NC (US); **Ritha Chan**, Charlotte, NC (US); **Xiyin Yao**, Charlotte, NC (US); **Yuen Yeuk Au Alvin**, Kwun Tong (HK); **Cheung Chun Kit Benson**, Kwai Chung (HK)
(73) Assignee: **TTI (Macao Commercial Offshore) Limited**, Praia Grande, Macau

D731,130 S 6/2015 Dyson et al.
D731,720 S * 6/2015 Gidwell D32/18
D738,584 S 9/2015 Niedzwecki
D743,123 S * 11/2015 Chu D32/18
D745,231 S * 12/2015 Niedzwecki D32/18
D747,572 S * 1/2016 Kerr D32/18
9,314,139 B2 * 4/2016 Conrad A47L 5/24
D774,260 S 12/2016 Manning
D775,772 S 1/2017 Lee et al.
D792,665 S * 7/2017 Salagnac D32/18
D798,009 S 9/2017 Salagnac
D799,767 S 10/2017 Palladino et al.
D800,978 S * 10/2017 Dammkoehler D32/18
D800,980 S 10/2017 Carter et al.
D819,282 S * 5/2018 Kim D32/22
9,980,616 B2 * 5/2018 Brown A47L 5/24

(**) Term: **15 Years**
(21) Appl. No.: **29/595,057**
(22) Filed: **Feb. 24, 2017**

(Continued)
Primary Examiner — Ruth McInroy
(74) *Attorney, Agent, or Firm* — Michael Best & Friedrich LLP

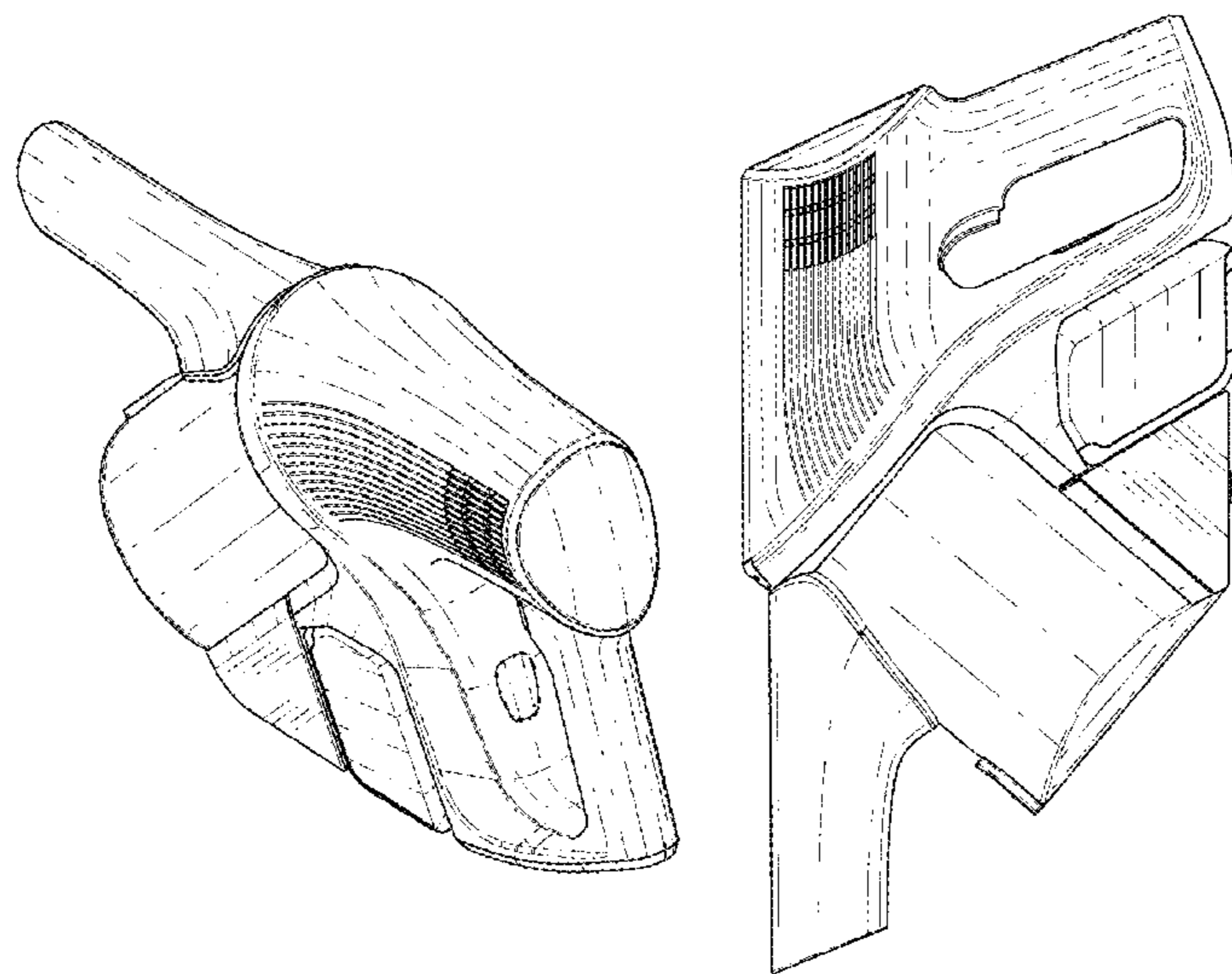
(30) **Foreign Application Priority Data**
Aug. 26, 2016 (CN) 2016 3 0427729
Aug. 26, 2016 (CN) 2016 3 0428523
Nov. 21, 2016 (CN) 2016 3 0563988
Nov. 21, 2016 (CN) 2016 3 0564174
(51) **LOC (11) Cl.** **15-05**
(52) **U.S. Cl.**
USPC **D32/18**
(58) **Field of Classification Search**
USPC D32/17, 18, 22, 31
CPC ... A47L 5/24; A47L 5/362; A47L 5/36; A47L 5/28; A47L 9/102; A47L 9/1683; B01D 50/002
See application file for complete search history.

(57) **CLAIM**
We claim the ornamental design for a handheld vacuum cleaner, as shown and described.

DESCRIPTION
FIG. 1 is a perspective view of a handheld vacuum cleaner according to an embodiment of the invention.
FIG. 2 is a right side view of the handheld vacuum cleaner shown in FIG. 1.
FIG. 3 is a left side view of the handheld vacuum cleaner shown in FIG. 1.
FIG. 4 is a bottom side view of the handheld vacuum cleaner shown in FIG. 1.
FIG. 5 is a top side view of the handheld vacuum cleaner shown in FIG. 1.
FIG. 6 is a back side view of the handheld vacuum cleaner shown in FIG. 1; and,
FIG. 7 is a front side view of the handheld vacuum cleaner shown in FIG. 1.

(56) **References Cited**
U.S. PATENT DOCUMENTS
D635,728 S 4/2011 Fjellman
D668,823 S 10/2012 Stickney et al.

1 Claim, 6 Drawing Sheets



(56)

References Cited

U.S. PATENT DOCUMENTS

D821,044 S * 6/2018 Cao D32/18
9,986,880 B2 * 6/2018 Conrad A47L 5/225

* cited by examiner

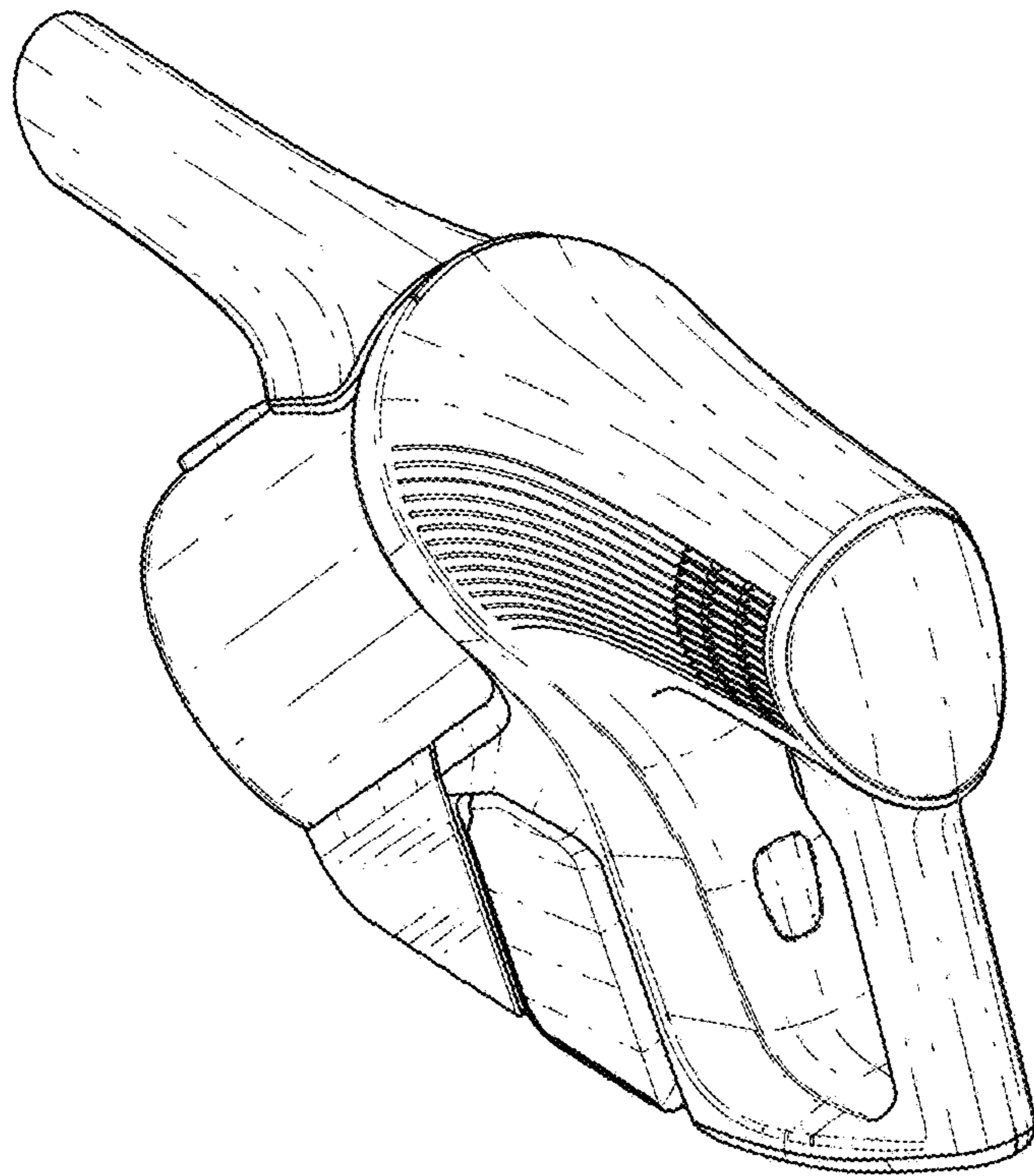


FIG. 1

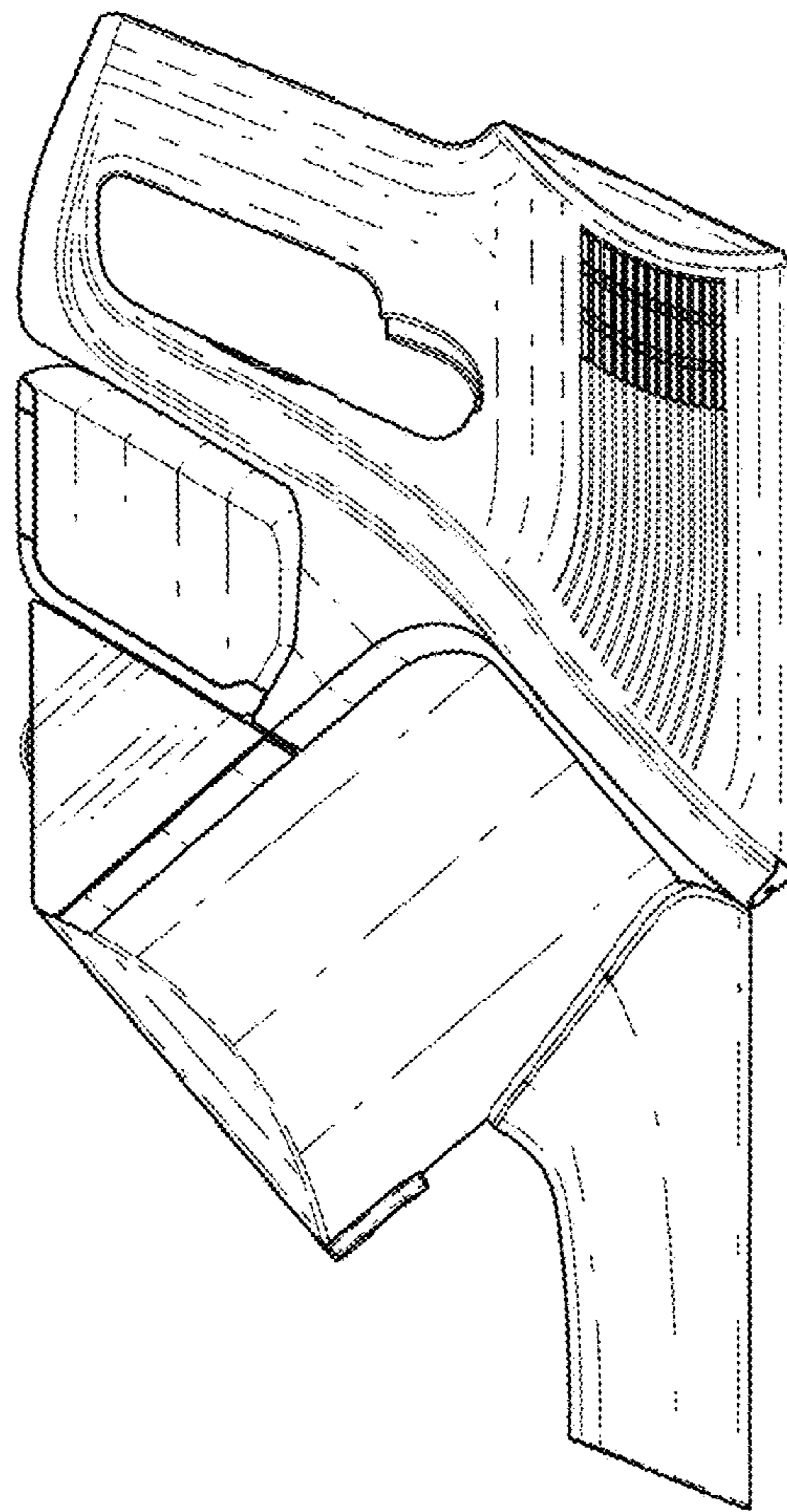


FIG. 2

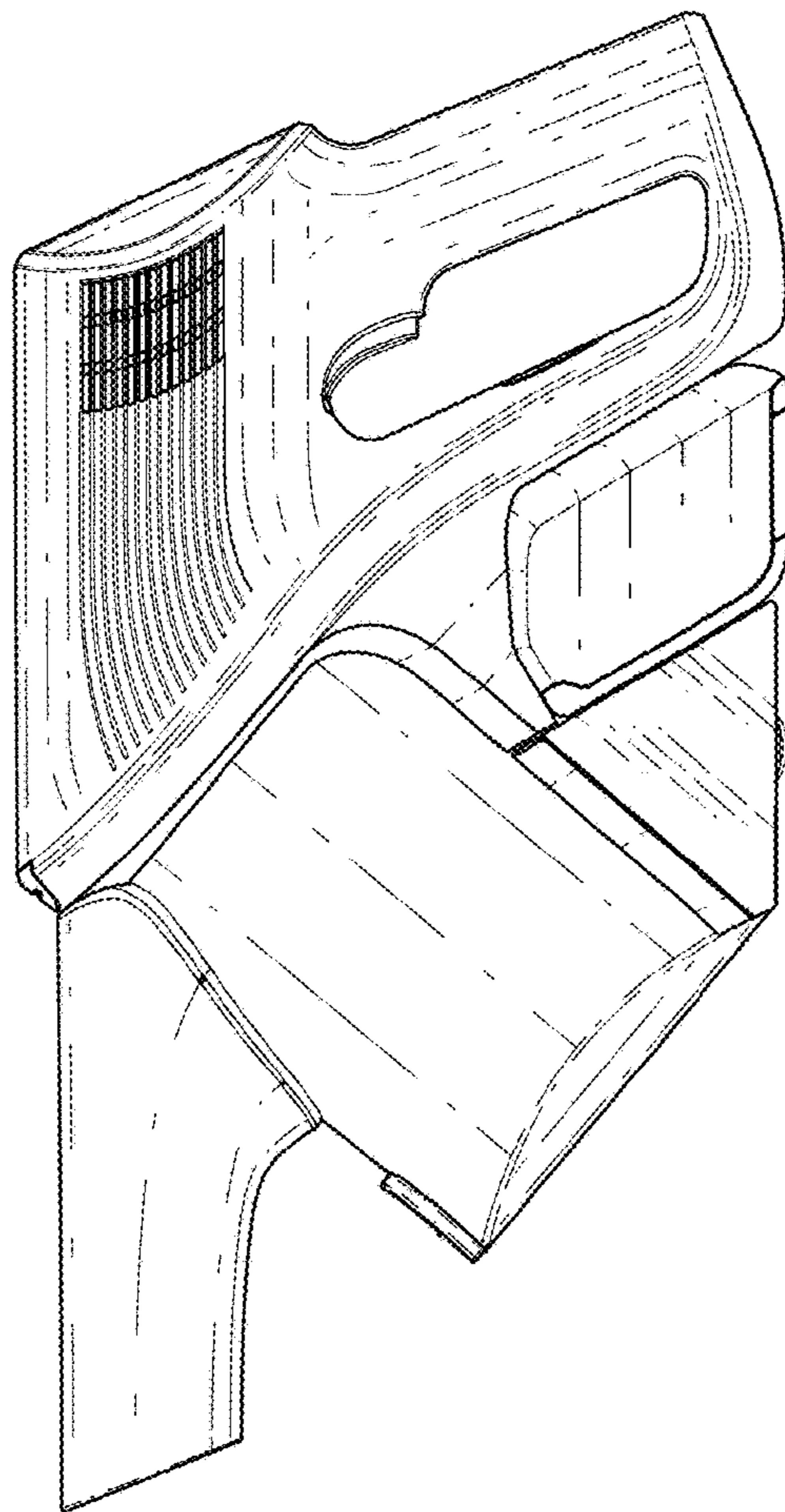


FIG. 3

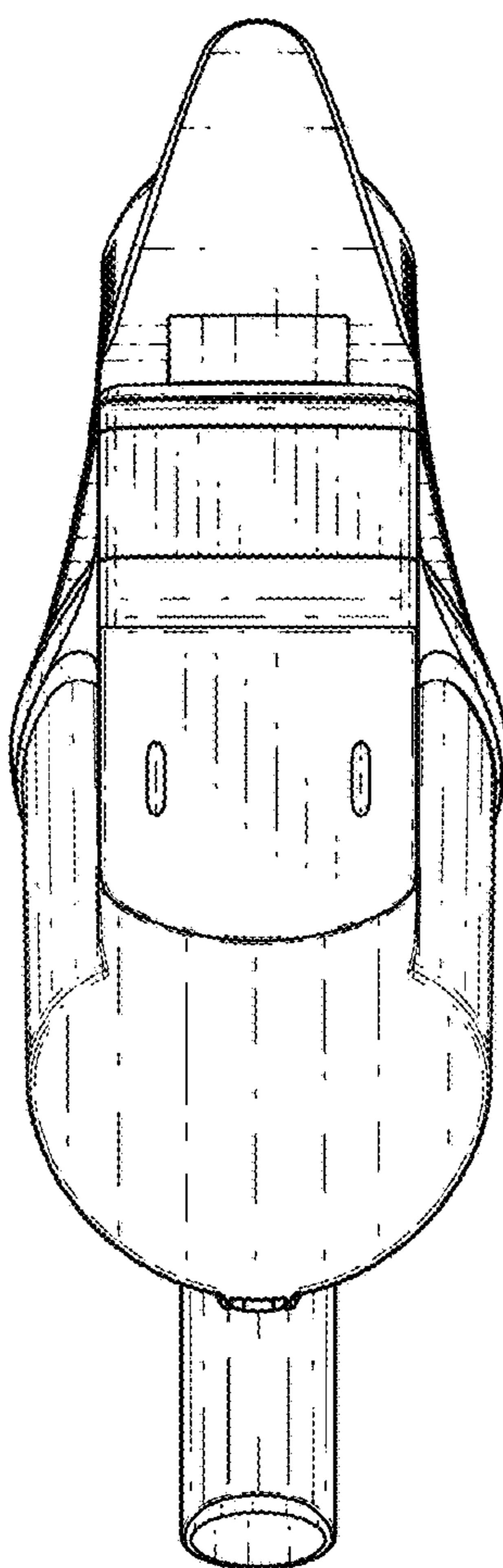


FIG. 4

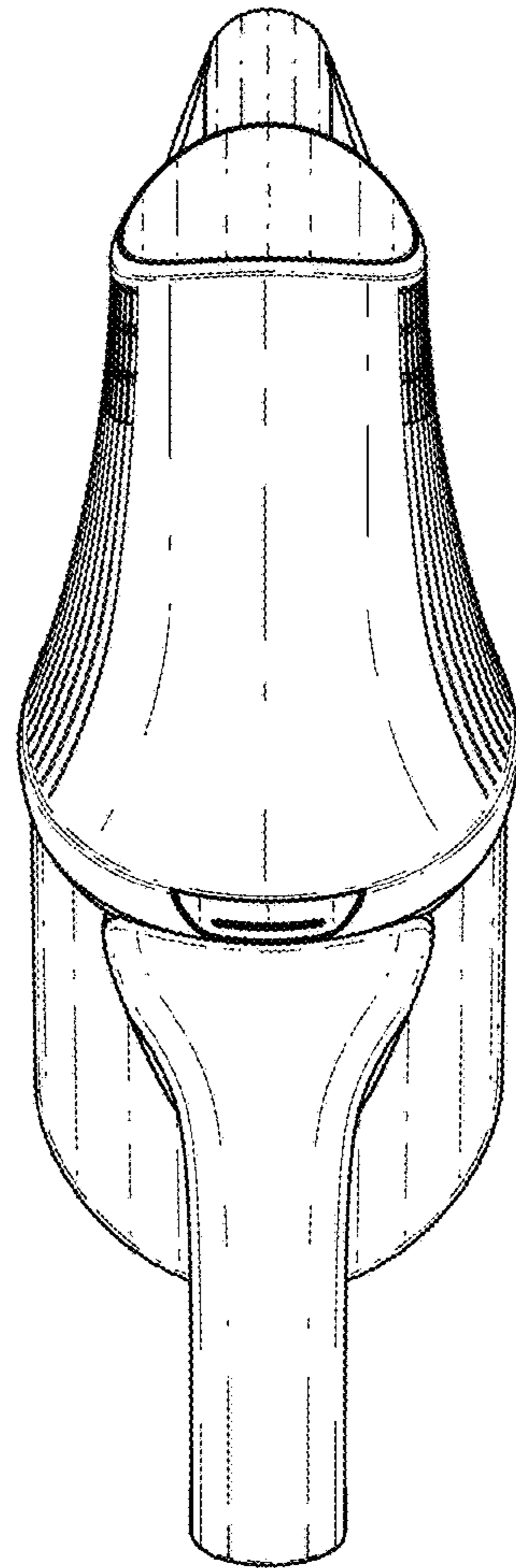


FIG. 5

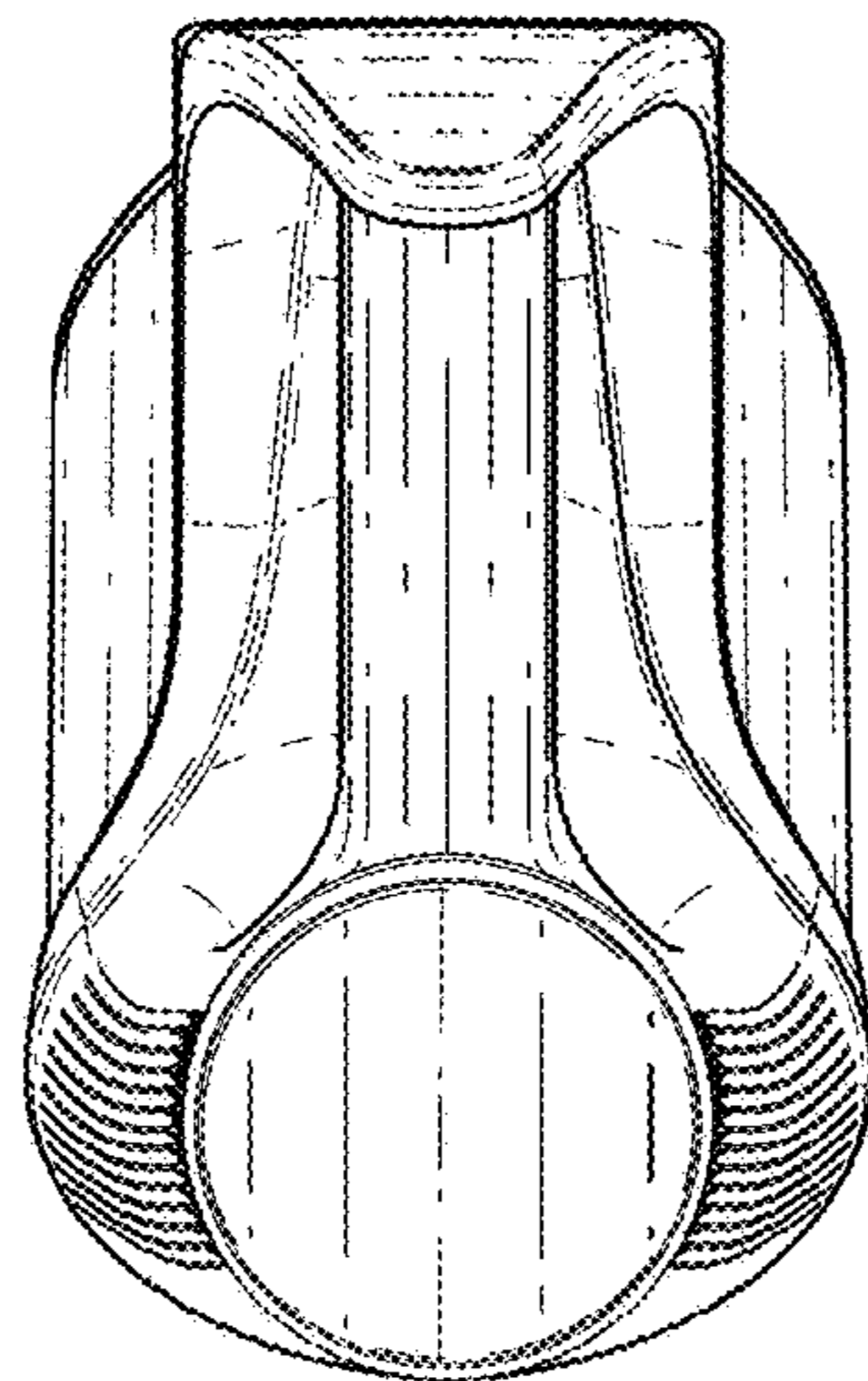


FIG. 6

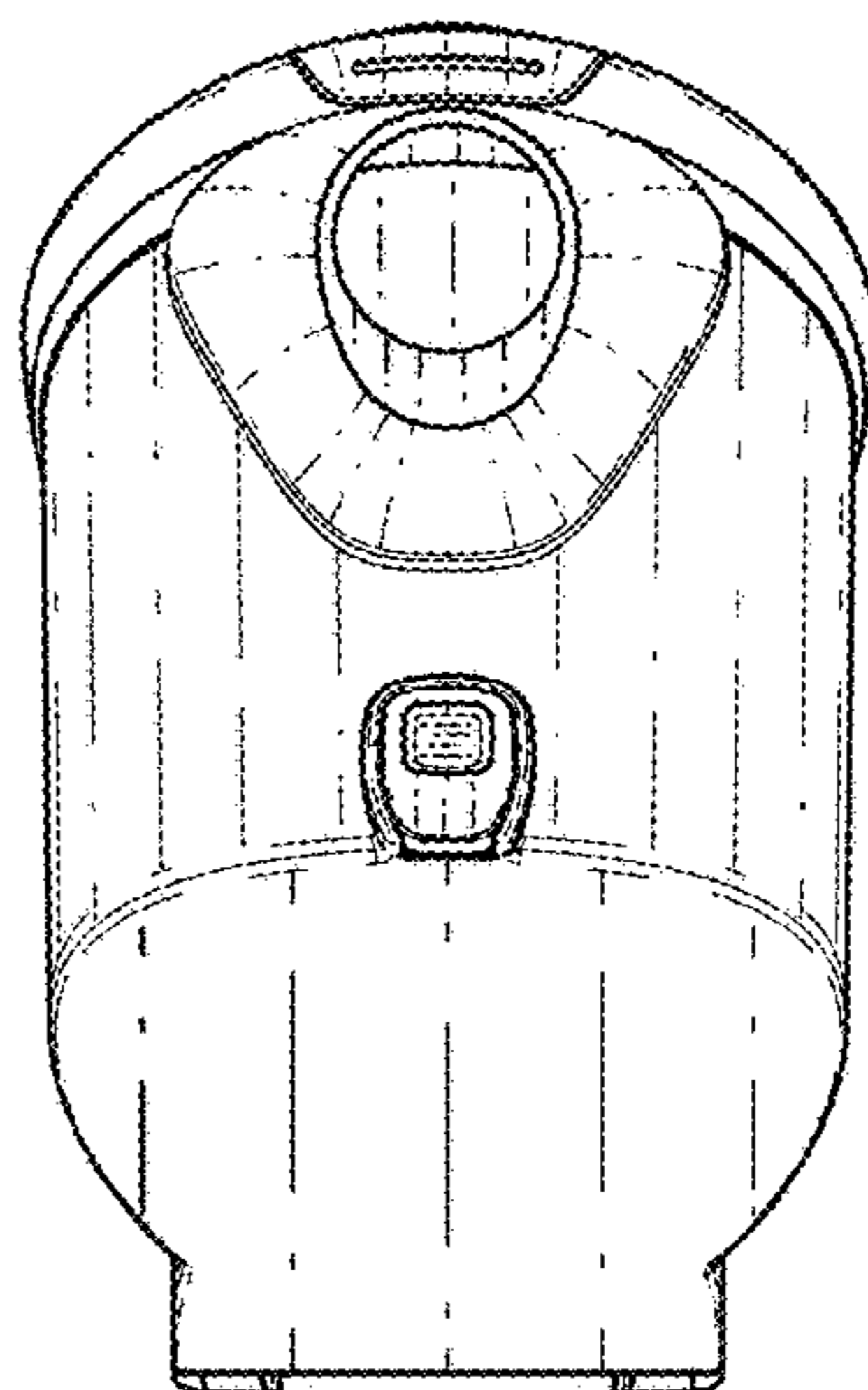


FIG. 7