



US00D844262S

(12) **United States Design Patent**
Han

(10) **Patent No.:** **US D844,262 S**
(45) **Date of Patent:** **** Mar. 26, 2019**

- (54) **DISPOSABLE PET WASTE COLLECTOR**
- (71) Applicant: **Dong Han**, Guangdong (CN)
- (72) Inventor: **Dong Han**, Guangdong (CN)
- (**) Term: **15 Years**
- (21) Appl. No.: **29/609,597**
- (22) Filed: **Jul. 2, 2017**
- (51) **LOC (11) Cl.** **30-99**
- (52) **U.S. Cl.**
USPC **D30/162**
- (58) **Field of Classification Search**
USPC D30/161, 162, 151, 144, 140, 137, 106,
D30/199; 119/867, 868, 161, 163, 164,
119/170, 717, 712; 294/1.3-1.5, 214;
43/7-12; 15/257.1, 257.7; 206/496;
383/33, 34, 34.1, 6, 12, 13, 68; 30/99;
D32/74, 49; D8/14, 106, 107, 499;
D34/1, 5, 28, 6; 248/99, 98, 97;
141/391; 220/9.4
CPC A01K 23/00; A01K 23/005; E01H 1/1206;
E01H 1/1213; E01H 1/12; E01H
2001/122; E01H 2001/1226; E01H
2001/1233; E01H 2001/128; E01H
2001/1286; E01H 2001/1293; E01H
2001/1273; E01H 2001/126; B65B 67/12;
B65B 67/1205; B65B 67/1238
See application file for complete search history.

(56) **References Cited**
U.S. PATENT DOCUMENTS

- 558,531 A * 4/1896 Tarr B65B 67/12
248/99
- 972,870 A * 10/1910 Kandlbinder B65B 67/12
248/99
- 2,149,042 A * 2/1939 Branthover B65B 67/12
248/100

- 3,733,099 A * 5/1973 Szita B65B 67/1238
294/1.4
- 3,747,653 A * 7/1973 Ringer A47L 13/52
15/257.1
- 4,188,005 A * 2/1980 Lee F16M 11/32
220/9.4
- 4,191,414 A * 3/1980 Dameron B65B 67/1238
294/1.4
- 4,196,928 A * 4/1980 Spangler A01D 51/00
15/104.8
- 4,548,372 A * 10/1985 Lutzker A01D 51/00
141/390
- D318,940 S * 8/1991 McIntyre D34/6
- 5,711,498 A * 1/1998 Wittlinger B65B 67/12
248/97
- 6,604,716 B1 * 8/2003 Hoey B65B 67/1238
248/100

(Continued)

Primary Examiner — Susan Moon Lee
(74) *Attorney, Agent, or Firm* — ScienBiziP, P.C.

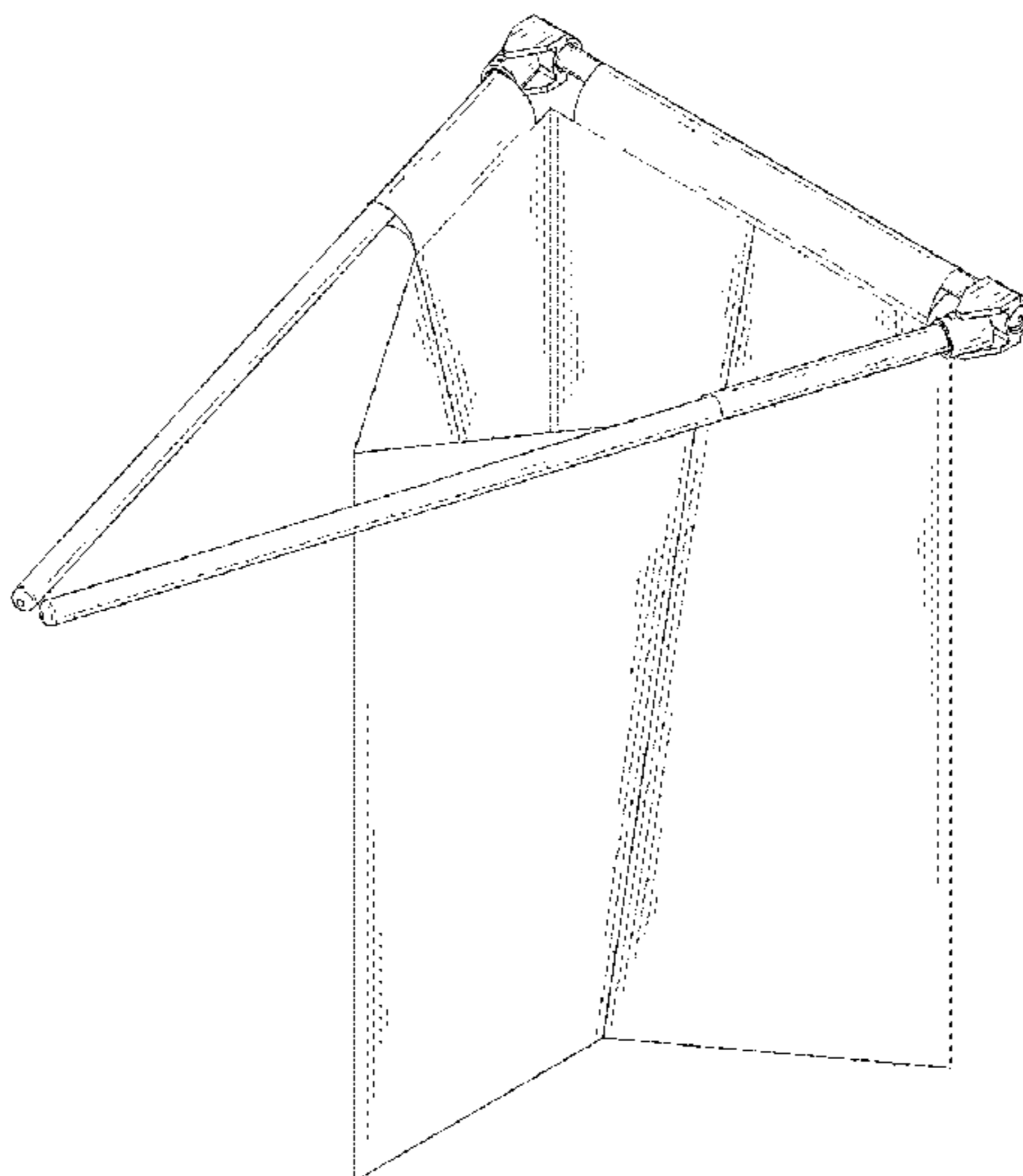
(57) **CLAIM**

The ornamental design for a disposable pet waste collector, as shown and described.

DESCRIPTION

FIG. 1 is a first perspective view of a disposable pet waste collector showing my new design; FIG. 2 is a second perspective view thereof; FIG. 3 is a front elevational view thereof; FIG. 4 is a rear elevational view thereof; FIG. 5 is a left side view thereof; FIG. 6 is a right side view thereof; FIG. 7 is a top plan view thereof; FIG. 8 is a bottom plan view thereof; FIG. 9 shows the disposable pet waste collector in an in-use configuration; and, FIG. 10 is an exploded perspective view of the disposable pet waste collector in which the disposable pet waste collector is in a disassembled condition.

1 Claim, 10 Drawing Sheets



(56)

References Cited

U.S. PATENT DOCUMENTS

6,648,386 B2 * 11/2003 Rheinhardt B65B 67/1238
248/99
6,994,301 B1 * 2/2006 Fox B65B 67/1205
211/85.15
7,066,432 B2 * 6/2006 Wood B65B 67/1205
248/150
7,374,135 B2 * 5/2008 Romero B65B 67/12
248/95
D761,498 S * 7/2016 Minter D30/162
D762,929 S * 8/2016 Minter D30/162
10,030,345 B1 * 7/2018 Han E01H 1/1206
2002/0021012 A1 * 2/2002 Roye B65B 67/1205
294/214
2002/0038956 A1 * 4/2002 Ditzik B65F 1/1415
294/1.4
2006/0152023 A1 * 7/2006 Owens, III B65B 67/1238
294/214
2006/0181091 A1 * 8/2006 Zelon A01K 23/005
294/1.5
2011/0037280 A1 * 2/2011 Romero E01H 1/1206
294/1.4
2014/0252002 A1 * 9/2014 Donoghue B65F 1/1415
220/495.09

* cited by examiner

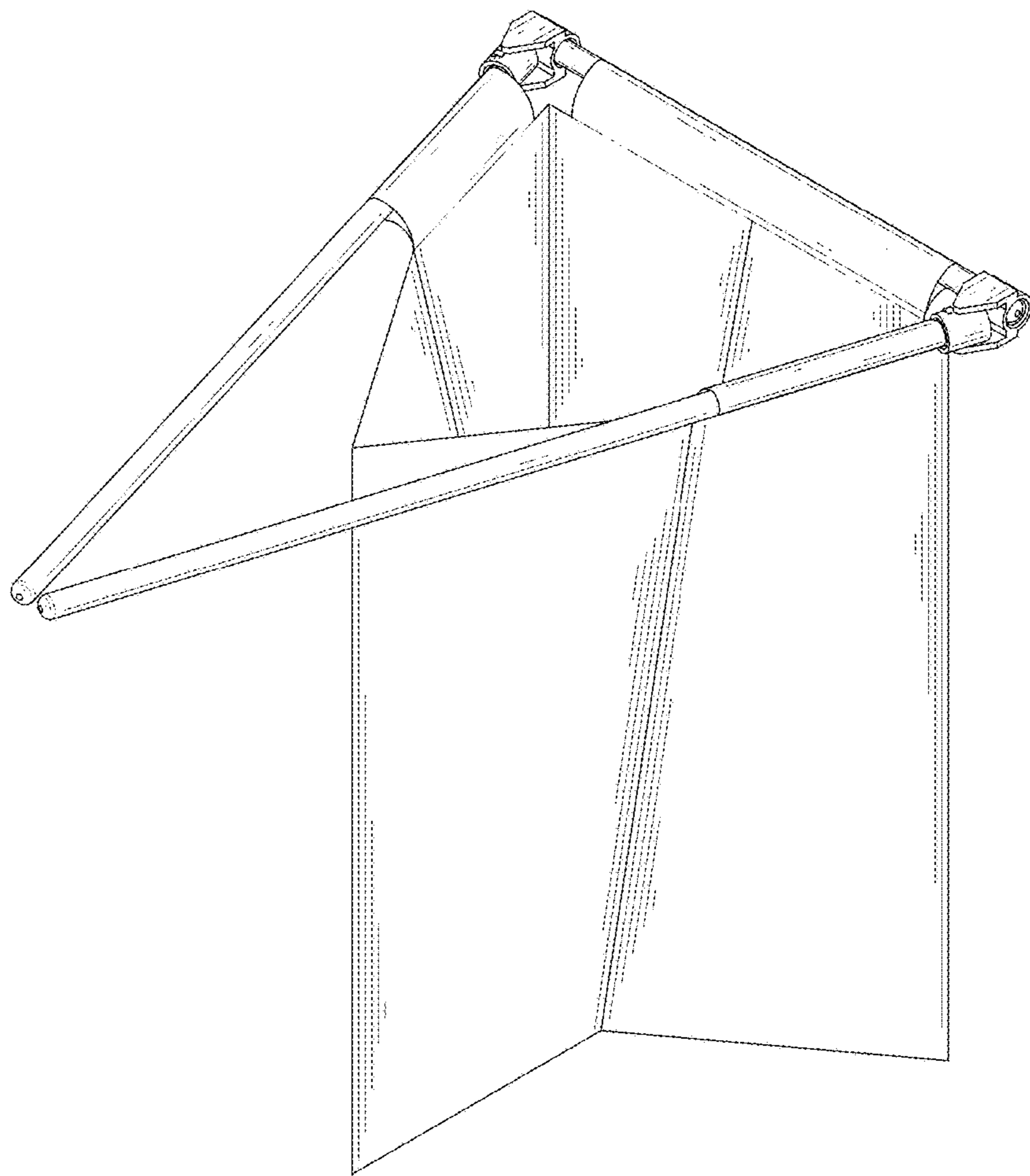


FIG. 1

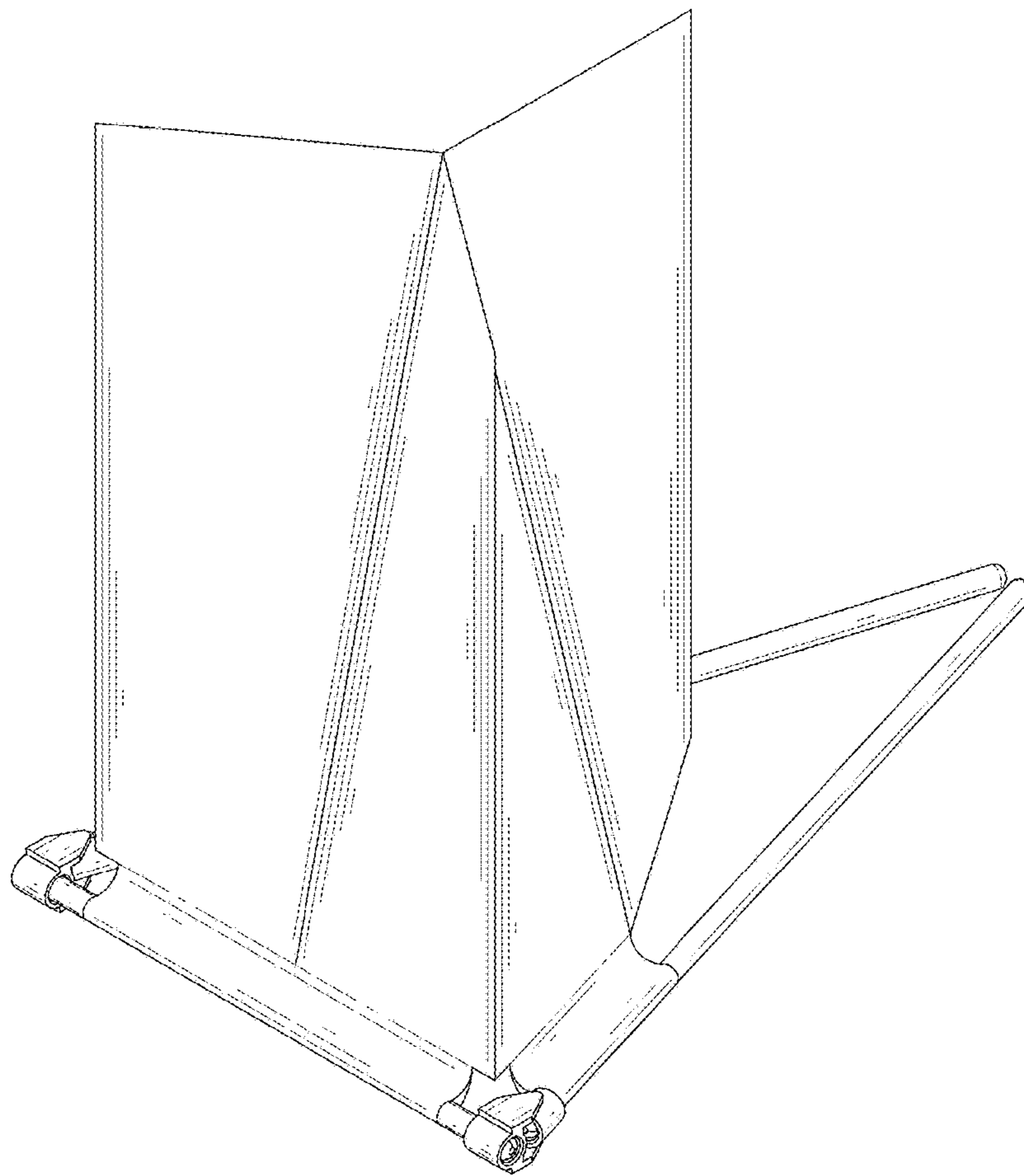


FIG. 2

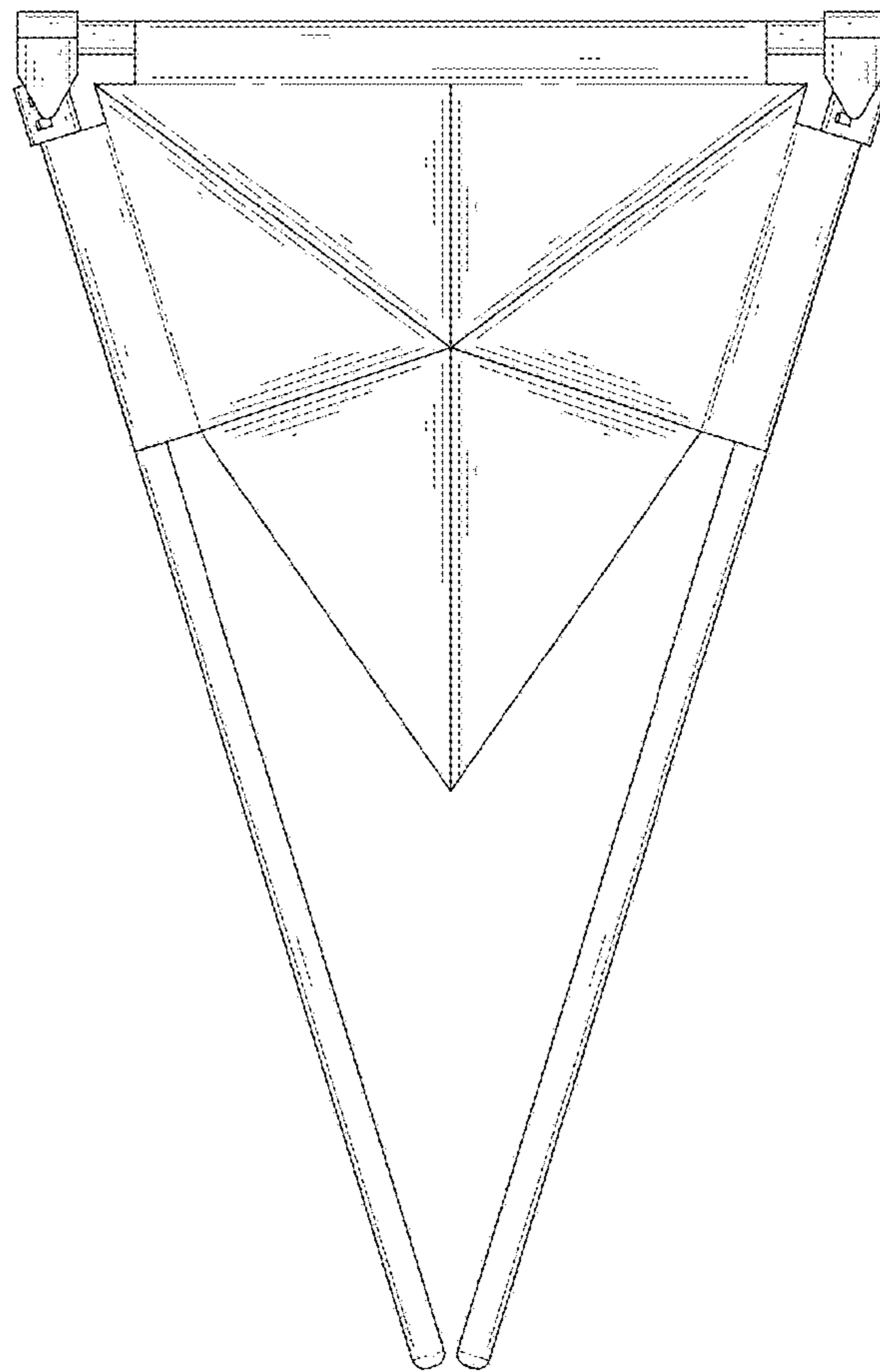


FIG. 3

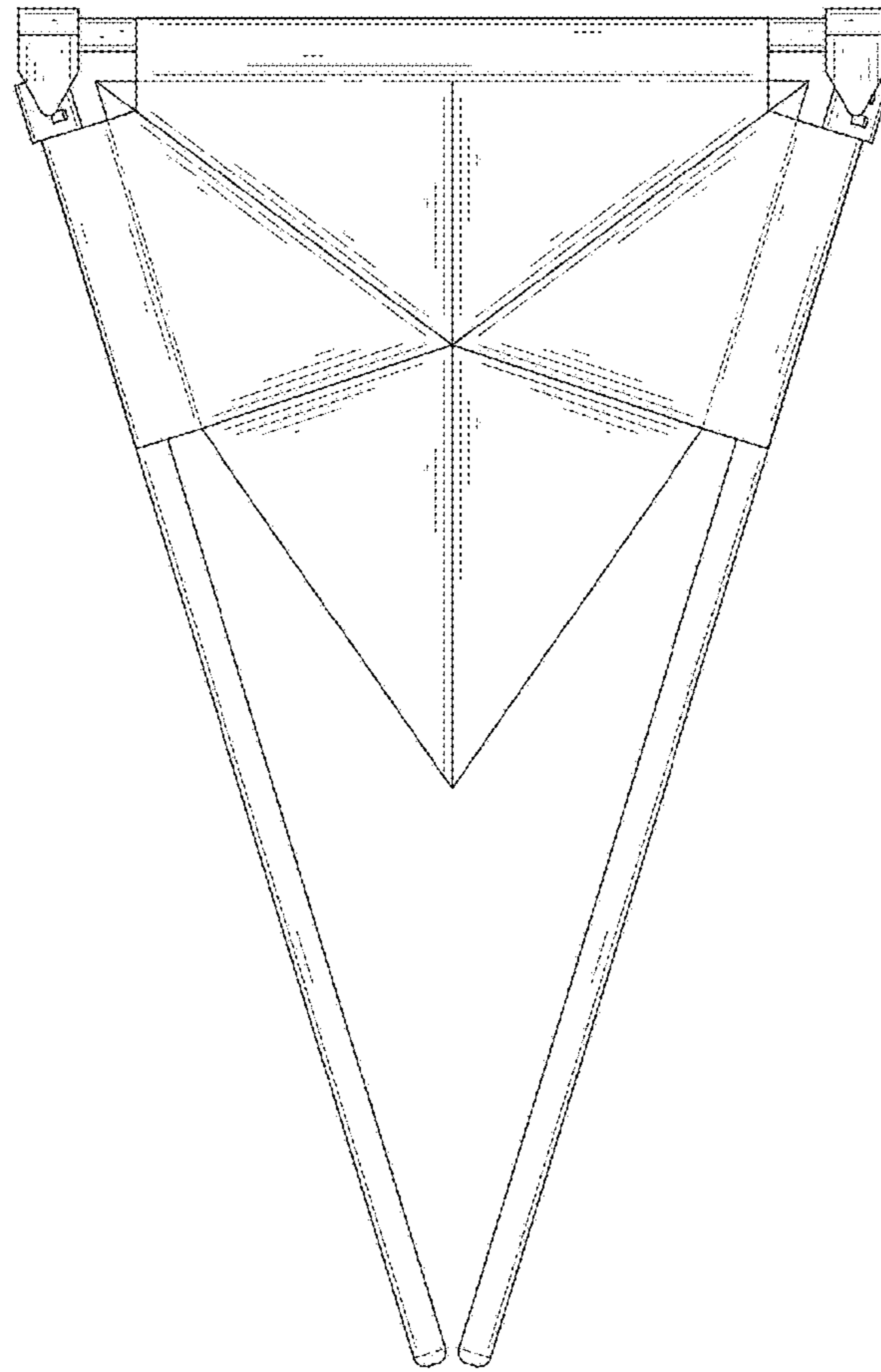


FIG. 4

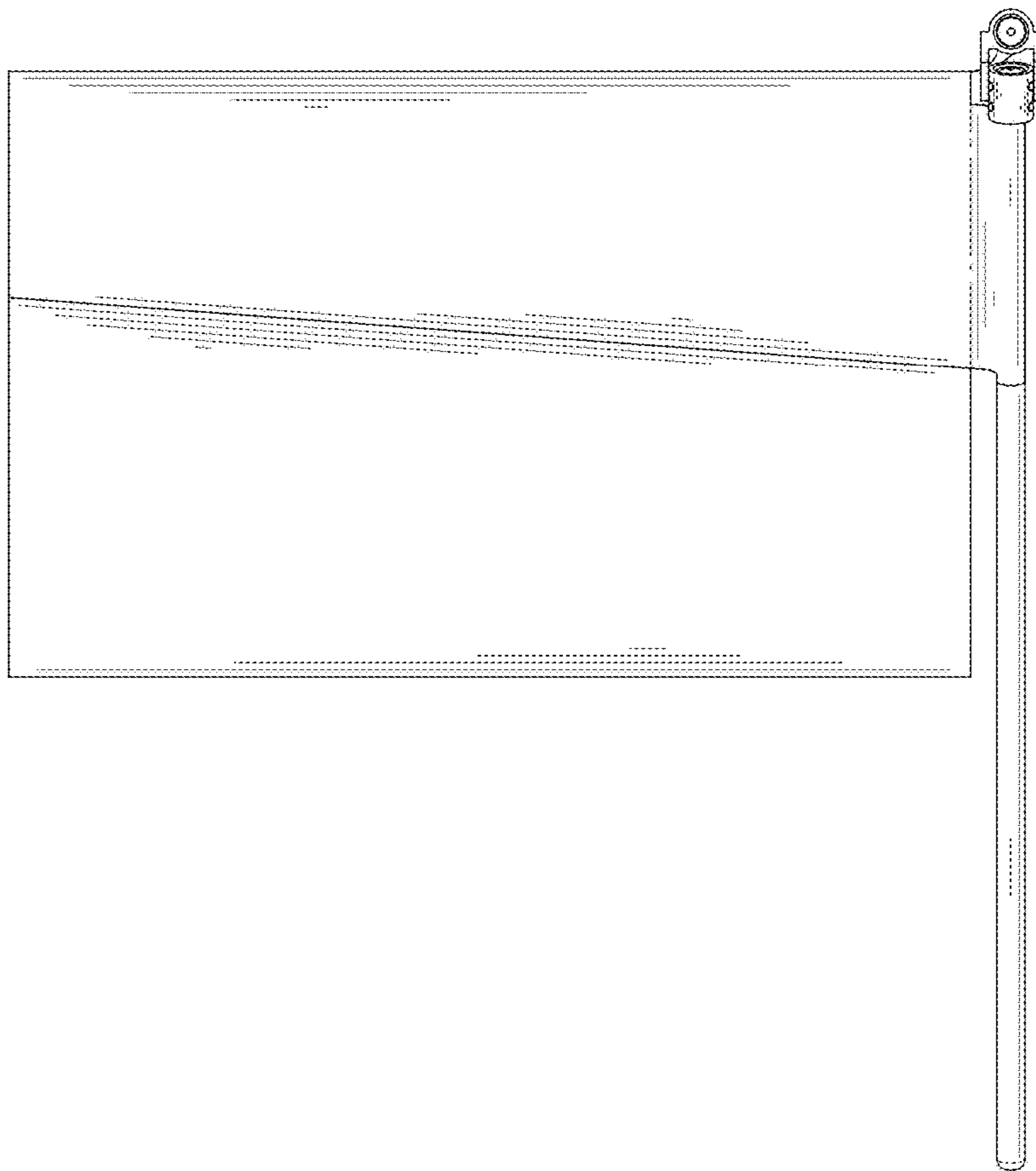


FIG. 5

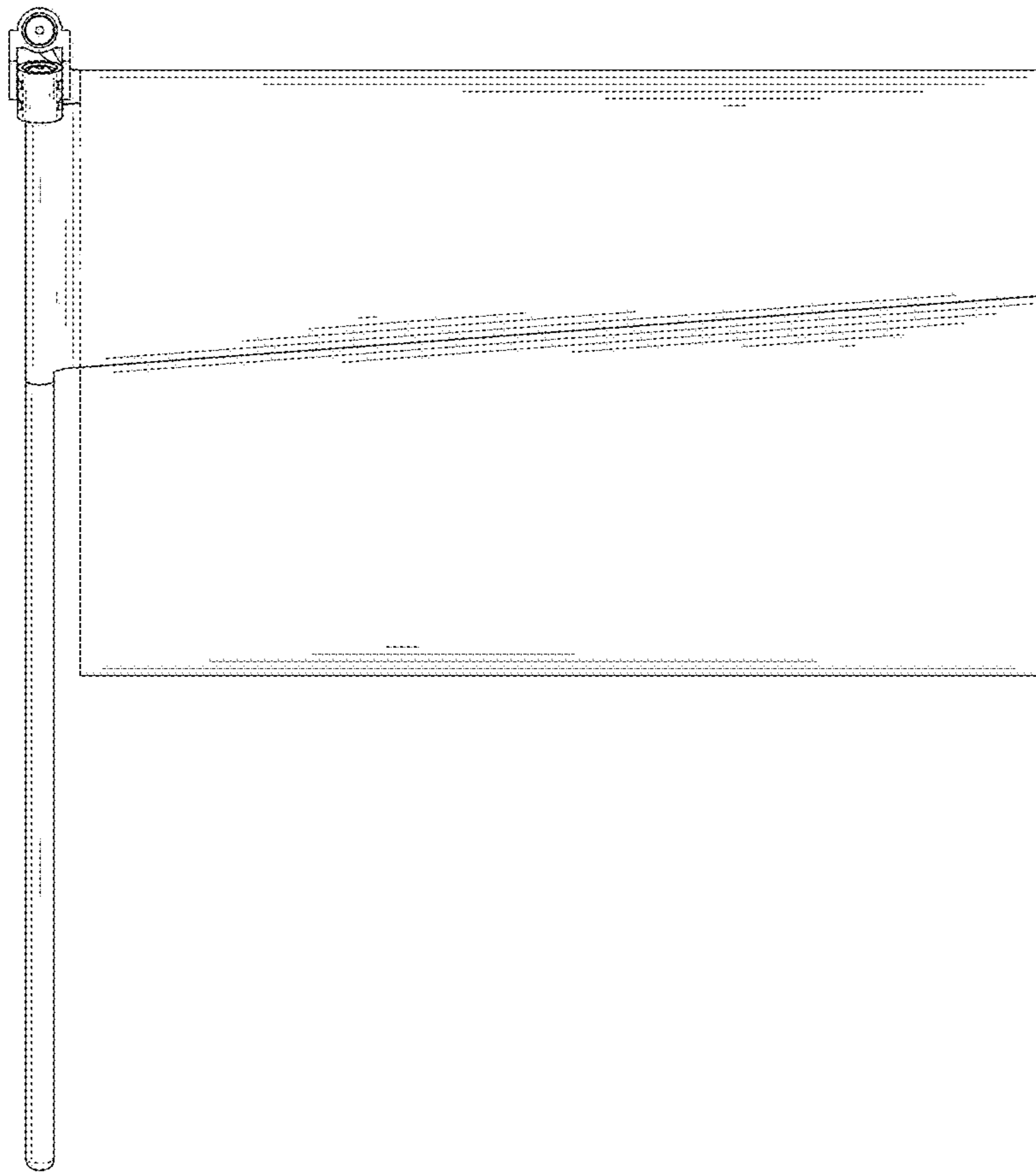


FIG. 6

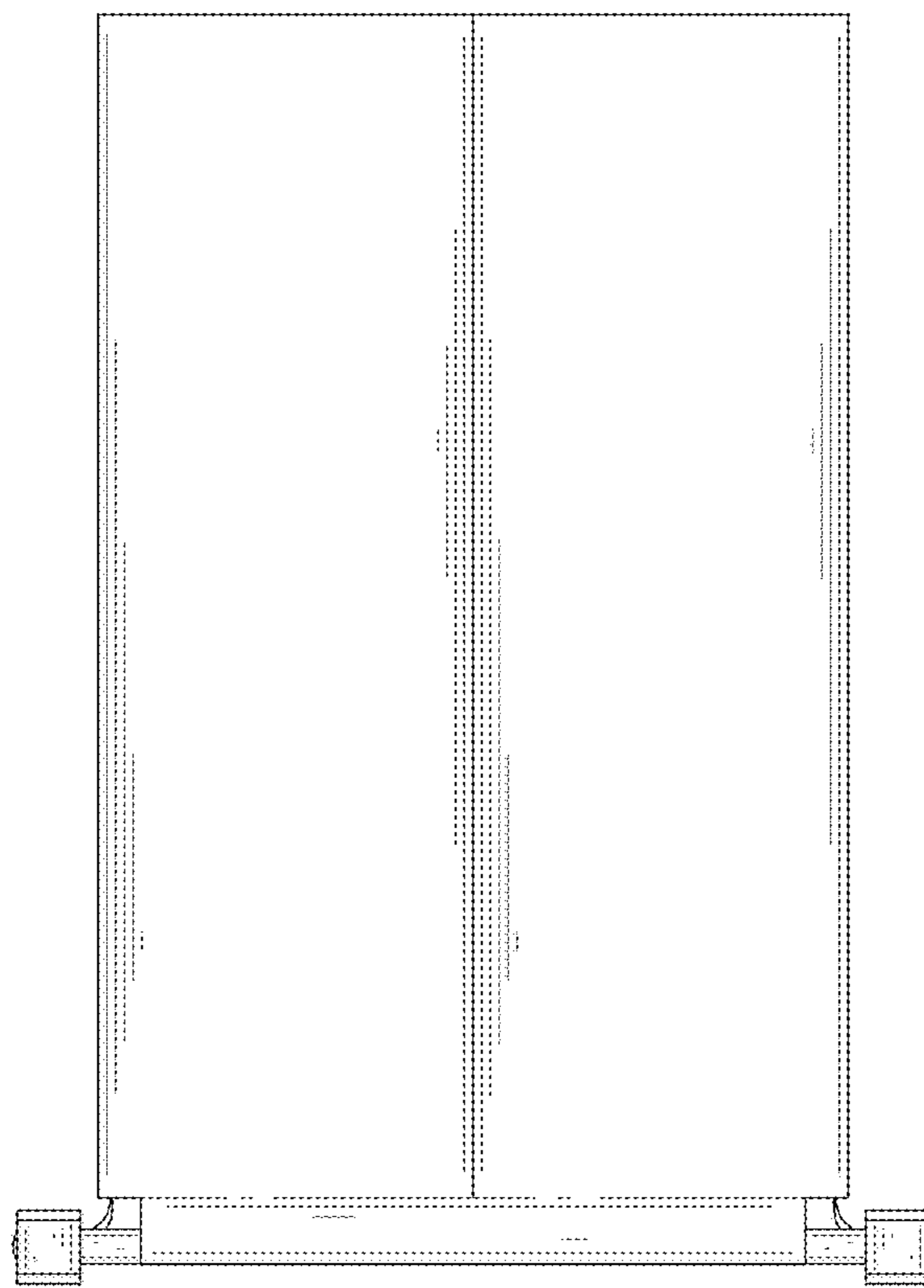


FIG. 7

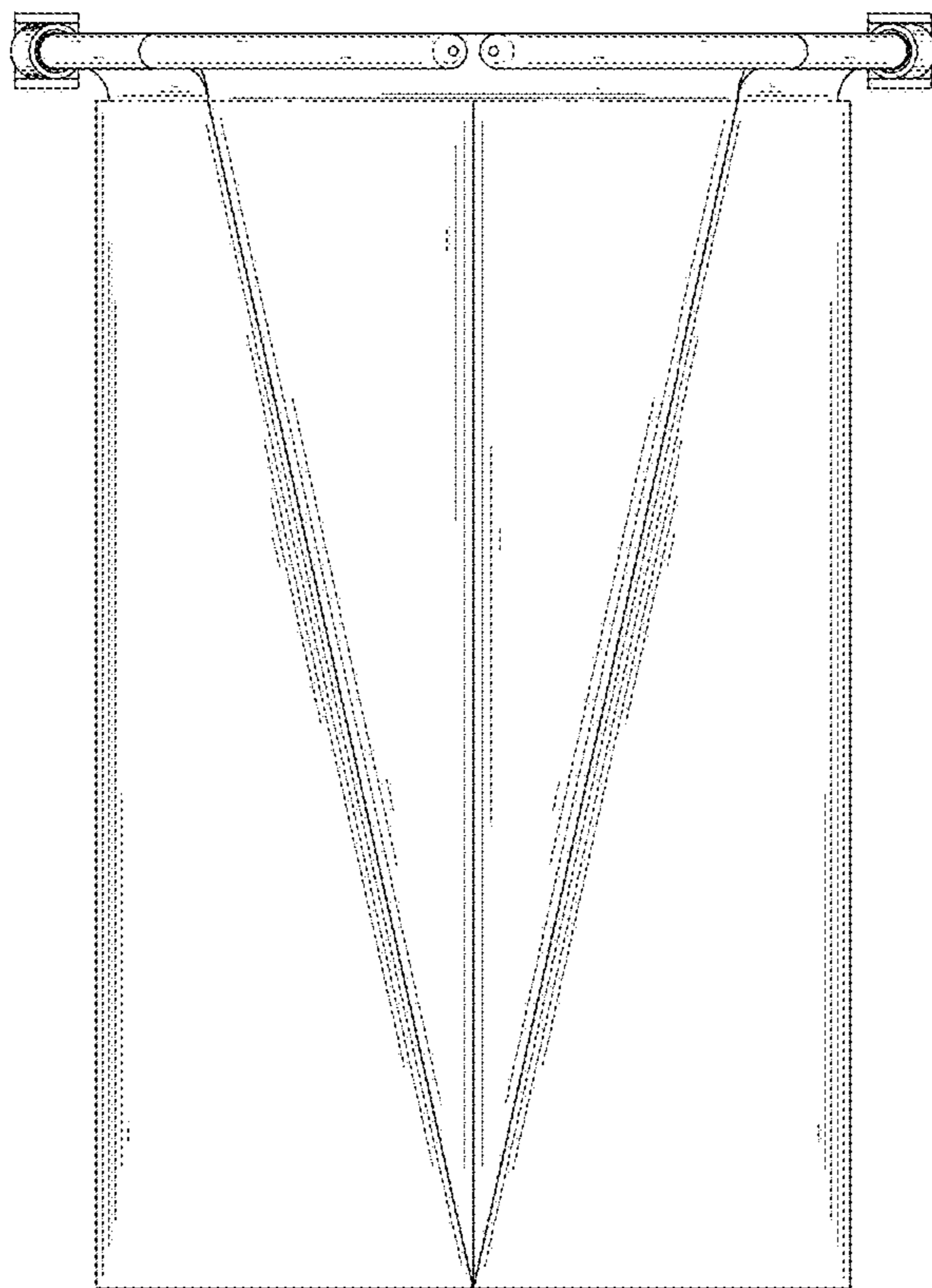


FIG. 8

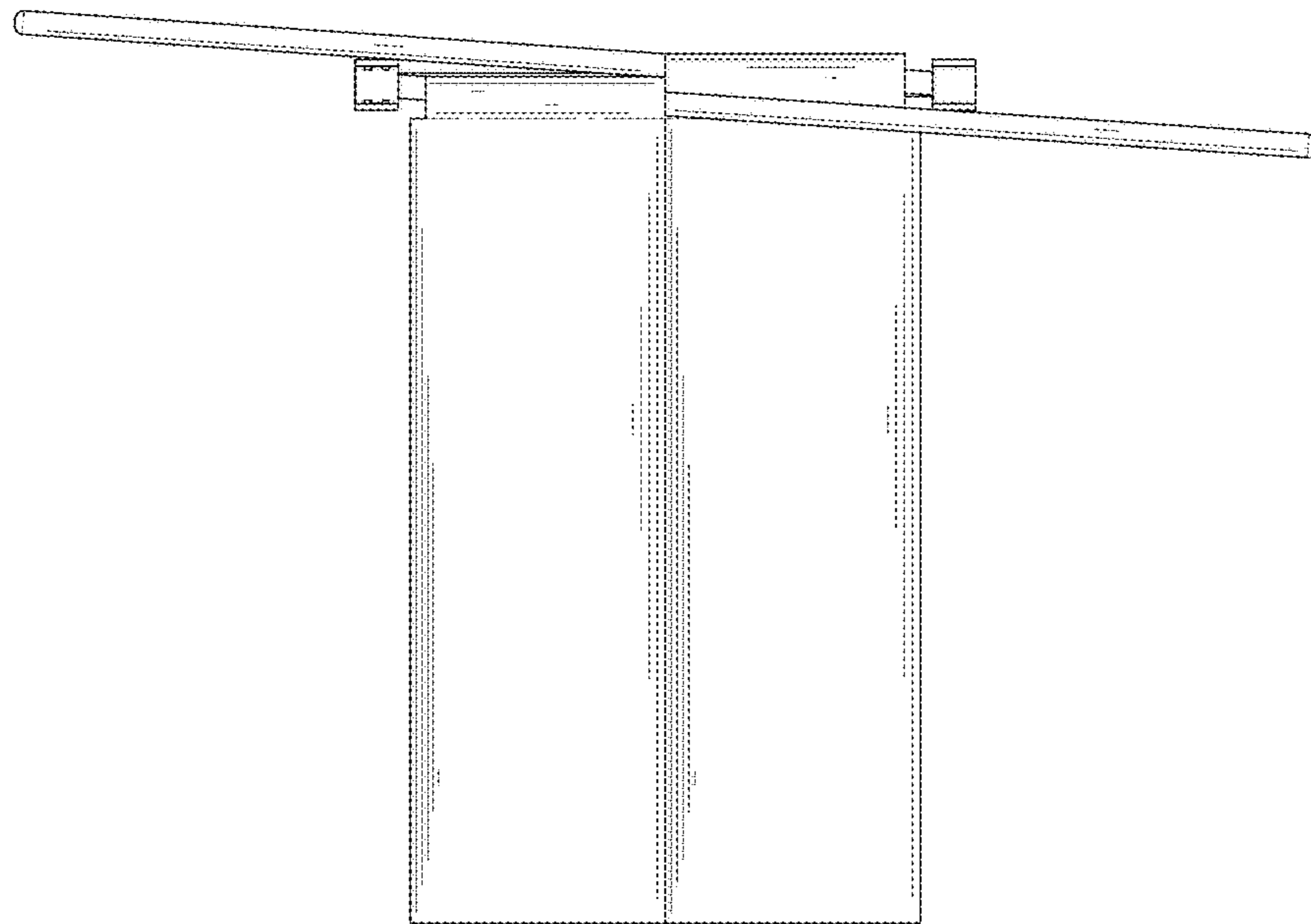


FIG. 9

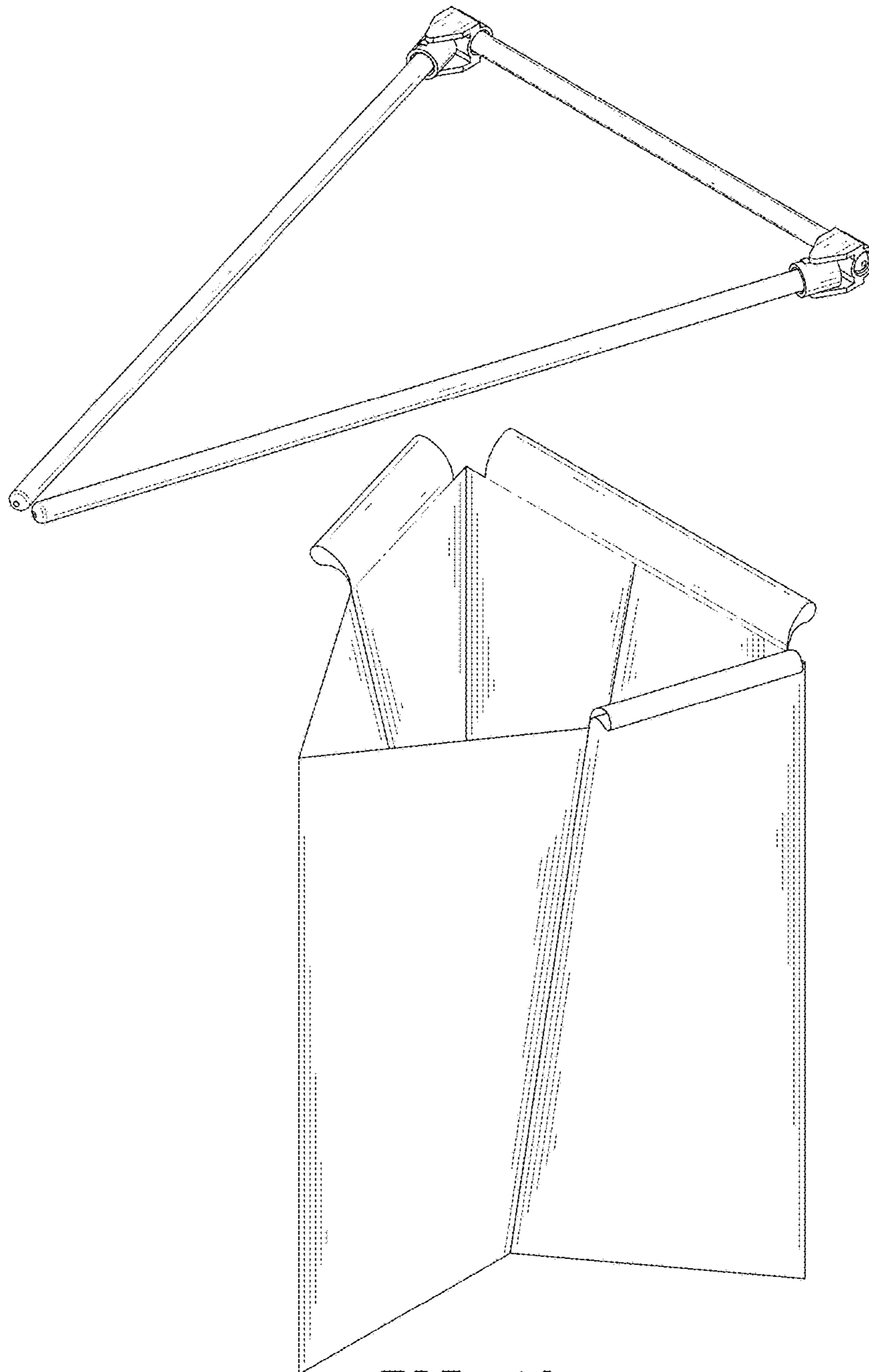


FIG. 10