

US00D844261S

(12) **United States Design Patent** (10) **Patent No.:** **US D844,261 S**
Agtual (45) **Date of Patent:** **** Mar. 26, 2019**

(54) **PET GROOMING TOOL**

(71) Applicant: **Chona Agtual**, Vail, AZ (US)

(72) Inventor: **Chona Agtual**, Vail, AZ (US)

(**) Term: **15 Years**

(21) Appl. No.: **29/658,164**

(22) Filed: **Jul. 29, 2018**

(51) **LOC (11) Cl.** **30-99**

(52) **U.S. Cl.**

USPC **D30/159**; D30/158

(58) **Field of Classification Search**

USPC D30/158, 159, 199, 162, 106; 119/625, 119/633, 600, 617, 628, 632, 631, 613, 119/618, 619, 620, 611; 132/126, 142; 30/114, 130, 301, 305, 315, 316, 299, 30/303, 306, 169, 322, 31, 30, 279.2, 30/280, 287, 294, 199, 329-344, 346.56, 30/346.61, 355, 357; D7/672-676, 687, D7/686, 634, 619, 688, 653; 425/298; 426/503; D4/136, 127, 124-126, D4/116-118, 199, 194; D32/42, 25; D23/261; 2/160; 172/379, 380; D6/415, D6/410, 411; 294/1.3, 1.5, 55, 99.1, 49, 294/7, 9, 99.2, 118, 119, 19.2, 52; 209/418; D24/211, 147; D21/532, 398; D19/36; 34/381, 103, 104, 107; D11/104, 86; 56/400.01, 400.1, 400.17, 56/400.21, 400.05, 400.04, 330; 403/329, 403/326, 361; 15/402, 142, 236.07, 15/236.08, 236.05; 601/137, 136, 80, 93, 601/95, 97, 101, 103, 138, 143-147; D28/91.2, 63, 52, 31; D8/13, 6, 10, 11, D8/12, 1; 126/173, 214 C, 25 R; 99/450

(Continued)

(56) **References Cited**

U.S. PATENT DOCUMENTS

3,928,886 A * 12/1975 Marino B05C 17/00
15/144.2
4,288,921 A * 9/1981 Rhynes A21C 11/12
30/304

(Continued)

OTHER PUBLICATIONS

SureGrip Extra Fine/Medium Double Siding Stripping Rake; http://www.groomerschoice.com/SureGrip-Fine_Coarse-Double-Sided-Stripping-Rake/productinfo/TL400/.

(Continued)

Primary Examiner — Susan Moon Lee

(74) *Attorney, Agent, or Firm* — Rashauna Norment

(57) **CLAIM**

The ornamental design for a pet grooming tool, as shown and described.

DESCRIPTION

FIG. 1 is a perspective view of a pet grooming tool, according to my new design;

FIG. 2 is an enlarged view of the portion of the pet grooming tool that is indicated with a circle in the FIG. 1 view;

FIG. 3 is a top plan view of the pet grooming tool;

FIG. 4 is a bottom plan view thereof;

FIG. 5 is a front elevation view thereof;

FIG. 6 is a rear elevation view thereof;

FIG. 7 is a first side elevation view thereof;

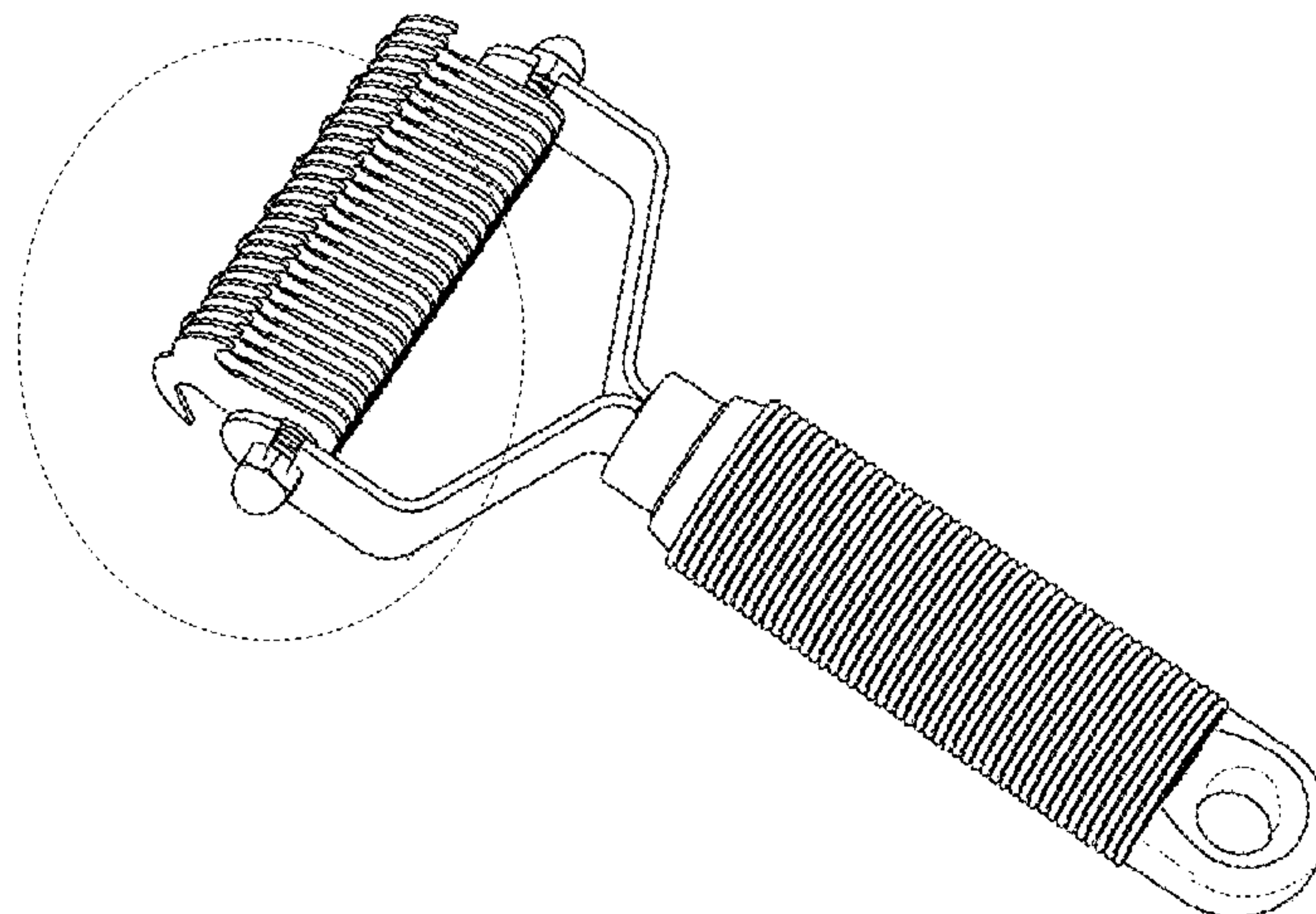
FIG. 8 is a second side elevation view thereof;

FIG. 9 is an environmental perspective view of the pet grooming tool, shown in use, on a long-haired animal; and,

FIG. 10 is another environmental perspective view of the pet grooming tool, shown in use, on a short-haired animal.

The broken line showing of animals in FIGS. 9 and 10 is depicted for purposes of illustration, and forms no part of the design claim.

1 Claim, 6 Drawing Sheets



(58) **Field of Classification Search**

CPC A01K 13/00; A01K 13/002; B26B 19/24;
 B26B 19/063; B26B 21/16; B26B 21/18;
 B26B 21/521; B26B 21/4075; B26B
 21/522; A45D 24/30; A45D 24/00; A45D
 24/04; A45D 24/10; A45D 24/36; A45D
 24/02; A46B 5/02; A46B 5/021; A46B
 5/026; A46B 5/028; A46B 2200/1093;
 A46B 2200/10

See application file for complete search history.

(56) **References Cited**

U.S. PATENT DOCUMENTS

4,461,140 A * 7/1984 Carmi A01D 46/14
 56/41
 5,339,840 A * 8/1994 Koppel A01K 13/002
 119/625
 6,199,513 B1 * 3/2001 Nichols A01K 13/002
 119/625
 D619,309 S 7/2010 Vandervoet
 7,748,350 B2 7/2010 Vandervoet
 8,539,961 B2 * 9/2013 Gaugler A45D 24/10
 132/126

8,720,381 B2 5/2014 Wang
 D739,986 S 9/2015 Sullivan et al.
 9,301,500 B1 * 4/2016 Murphy A01K 13/002
 D779,135 S 2/2017 Chang
 2007/0193529 A1 * 8/2007 Vandervoet A01K 13/002
 119/617
 2012/0304938 A1 * 12/2012 Wang A01K 13/002
 119/618
 2013/0125829 A1 * 5/2013 Wang A01K 13/002
 119/611
 2014/0026821 A1 * 1/2014 Tu A01K 13/002
 119/600
 2014/0041597 A1 * 2/2014 Van Der Poel A01K 13/004
 119/601
 2016/0073612 A1 * 3/2016 Cafasso A45D 24/10
 119/601

OTHER PUBLICATIONS

Chona's Shears; <https://chonashears.net/product/rake-undercoat-4-count/>.

What Is the Difference Between Rakes and Undercoat Rakes?; <https://www.learn2groomdogs.com/what-is-the-difference-between-rakes-and-undercoat-rakes/>.

* cited by examiner

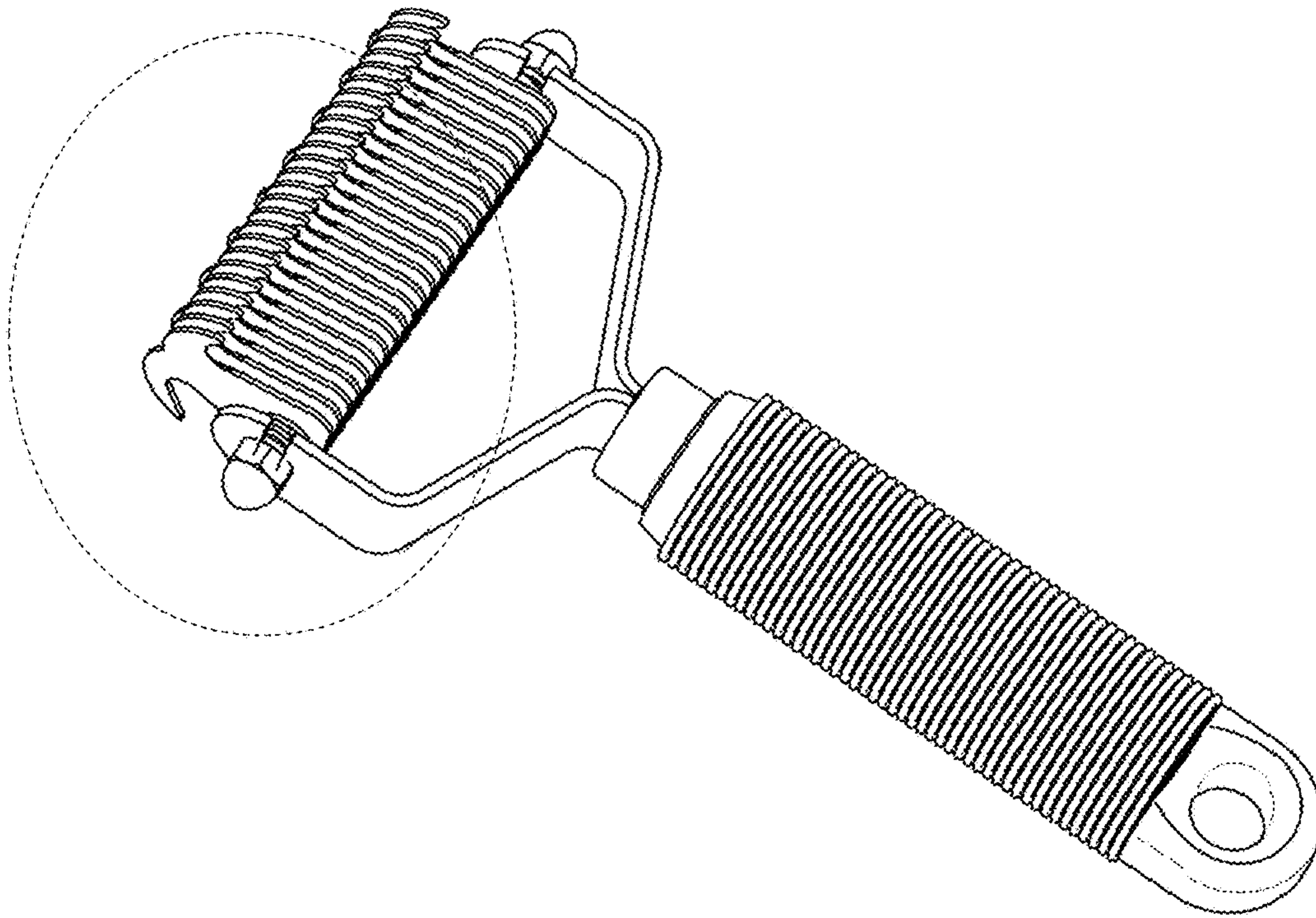


FIG. 1

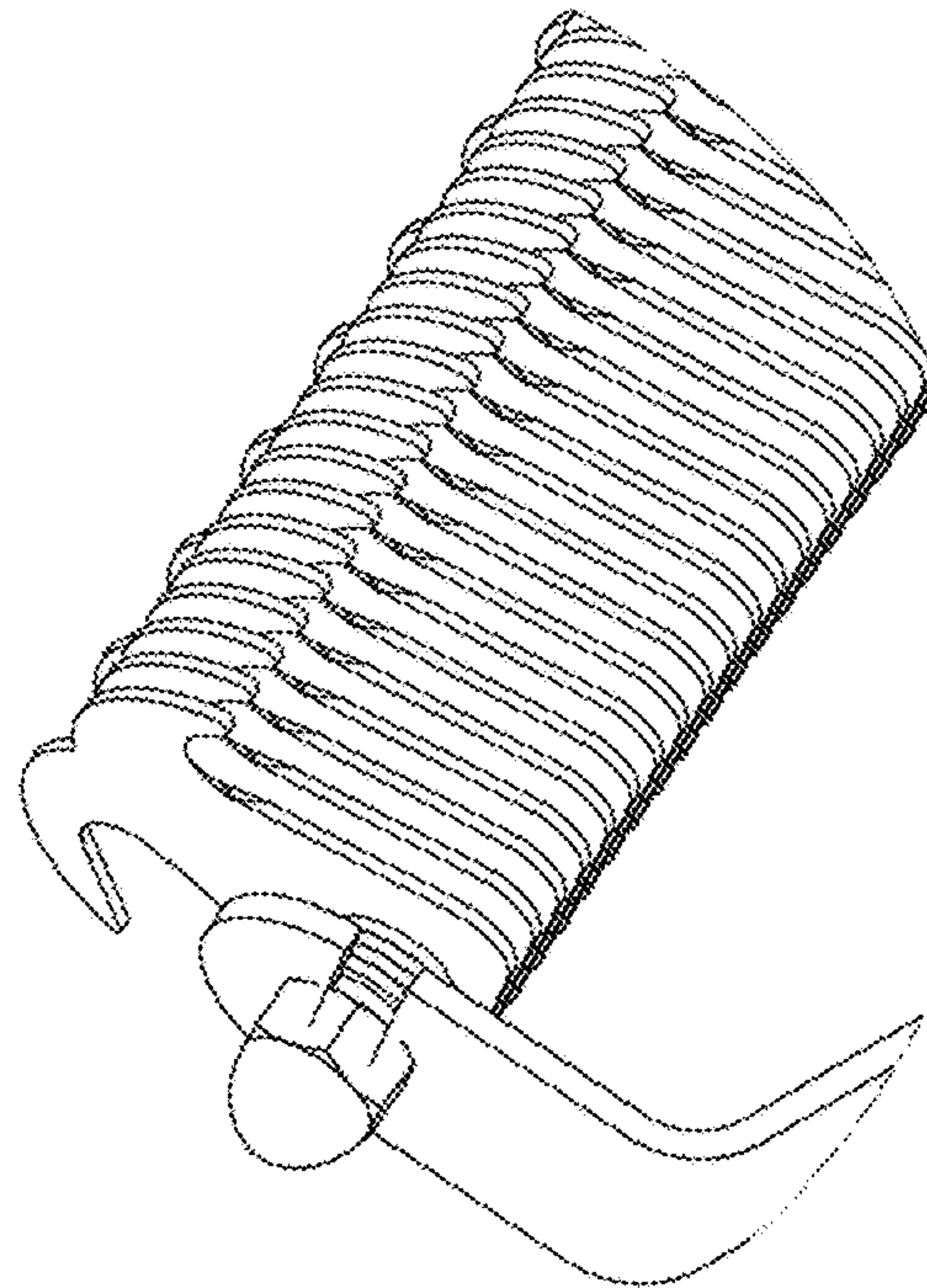


FIG. 2

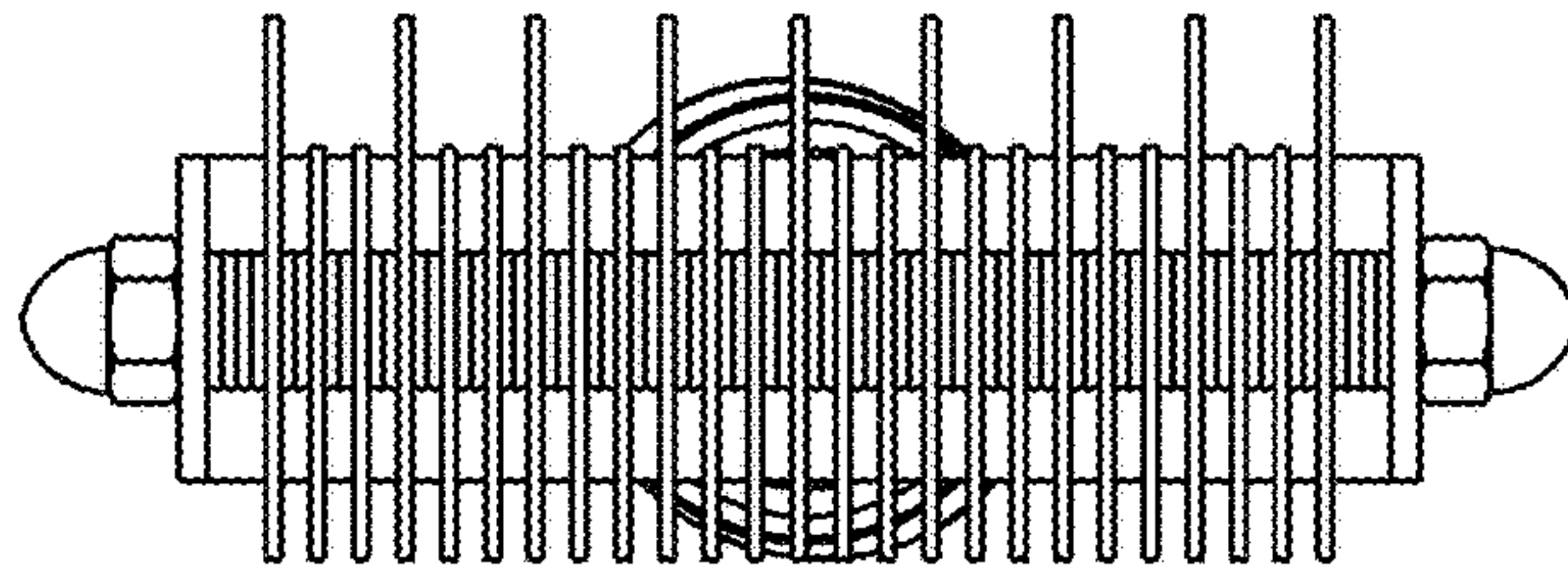


Fig. 3

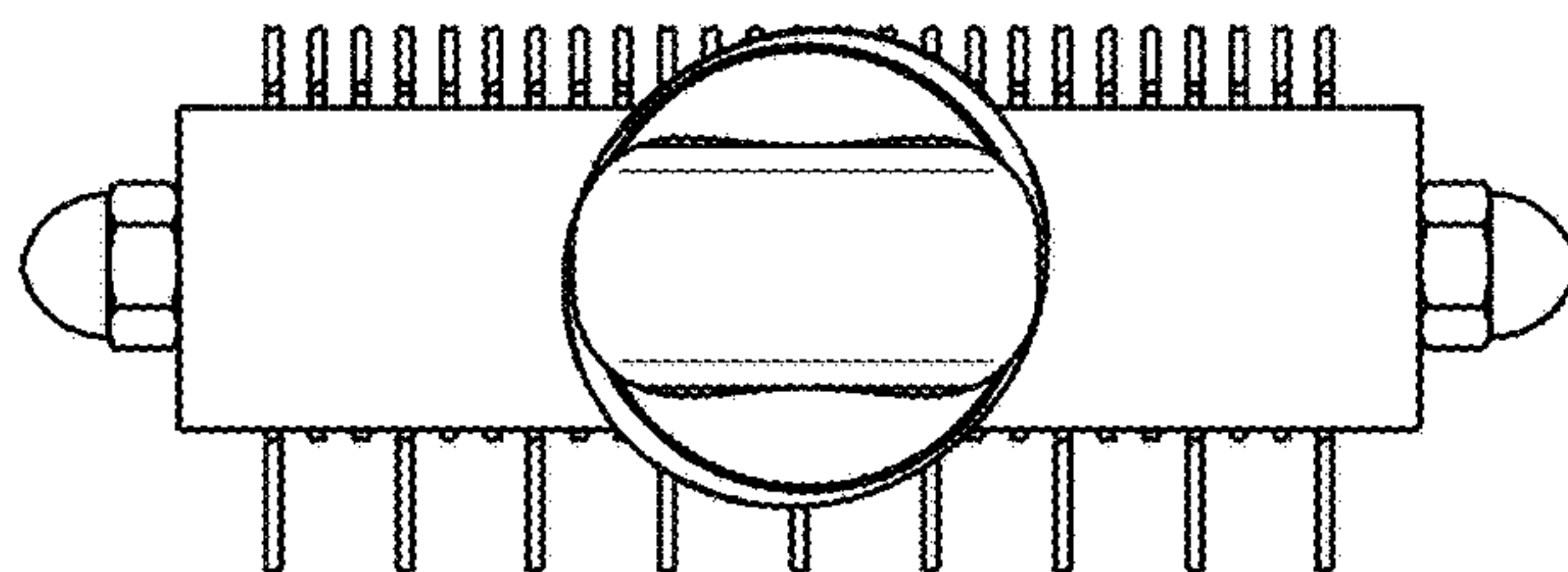


Fig. 4

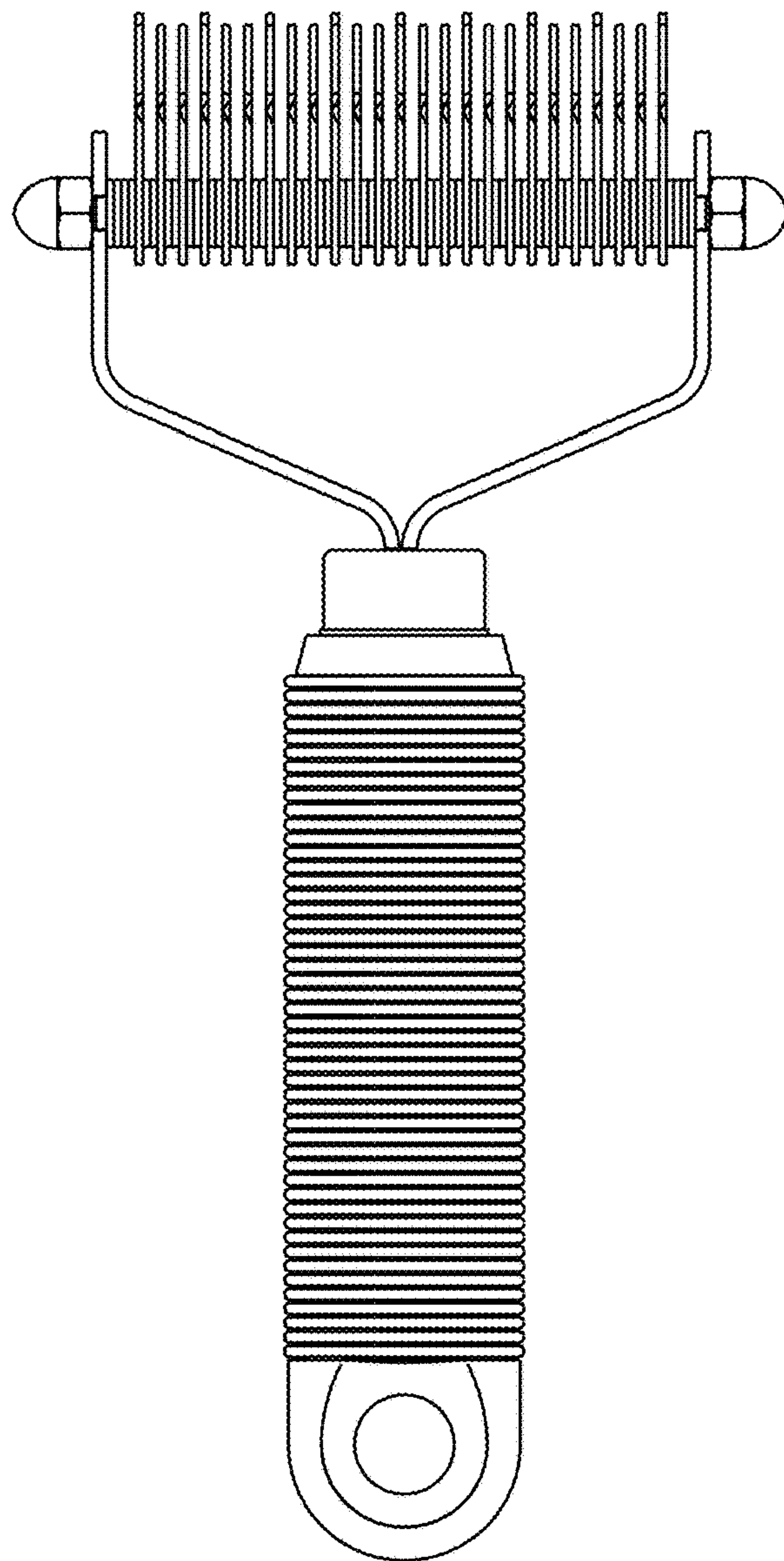


Fig. 5

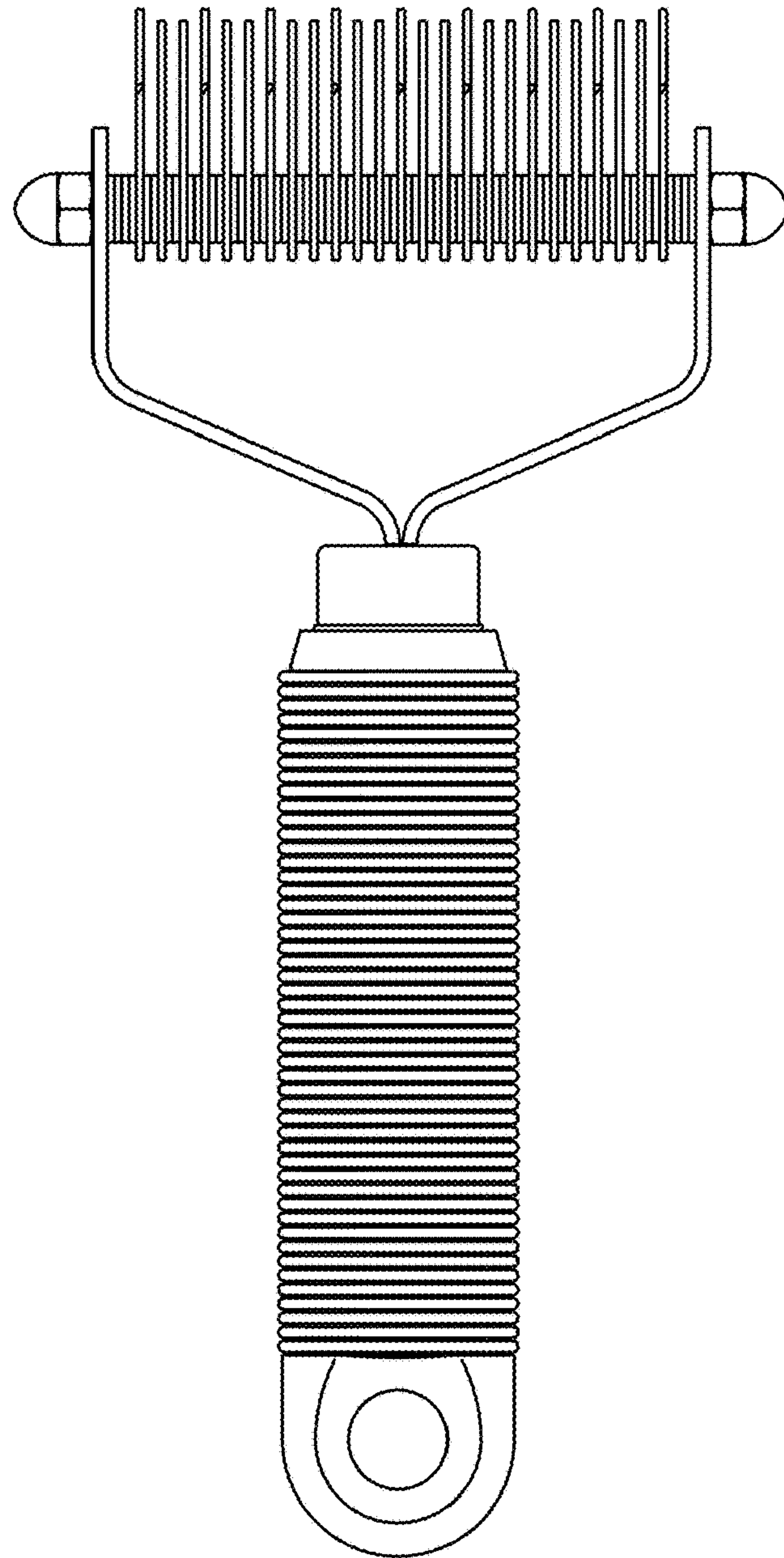


Fig. 6

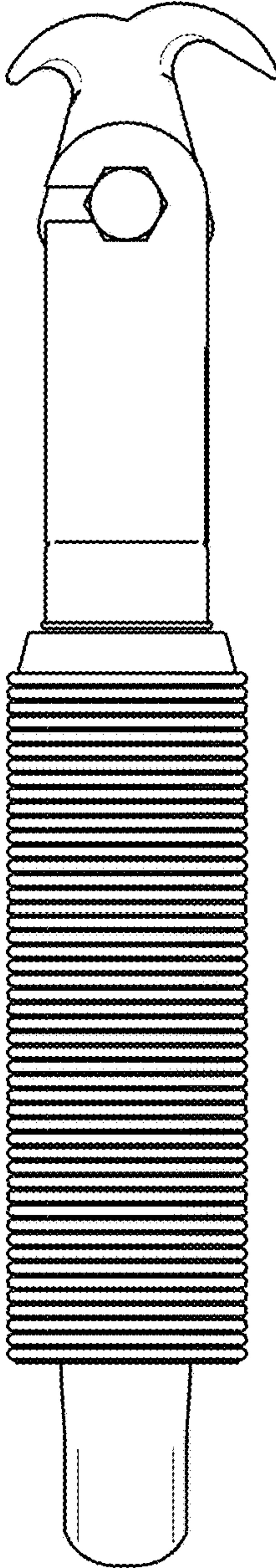


Fig. 7

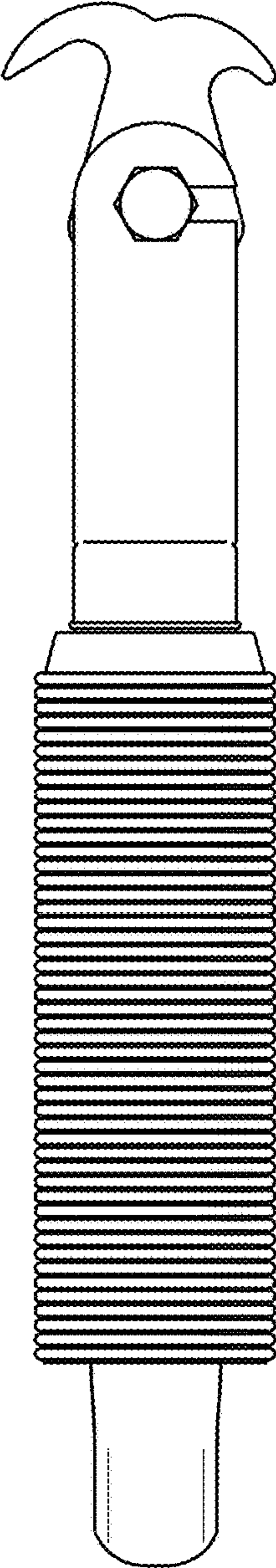


Fig. 8

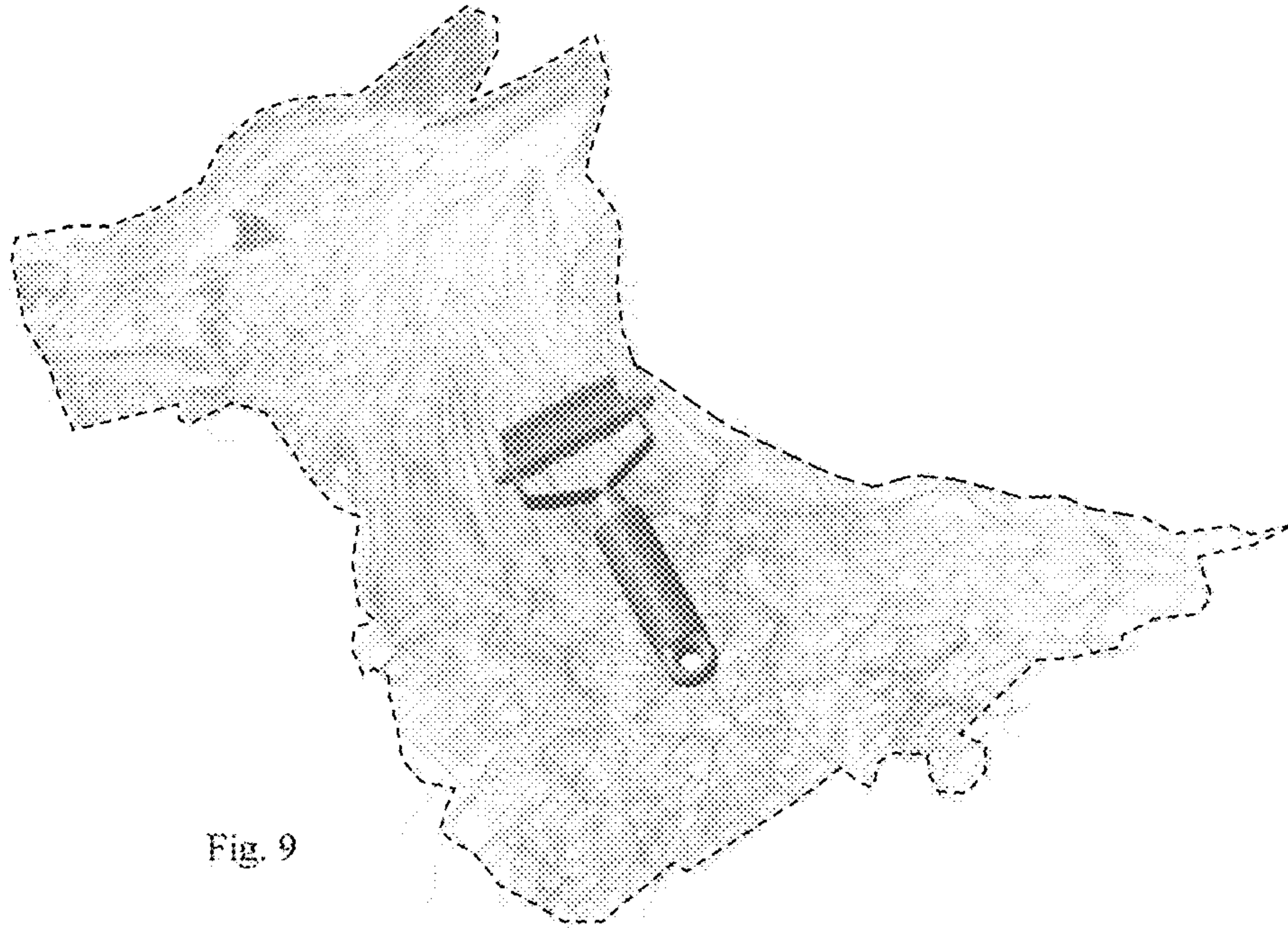


Fig. 9

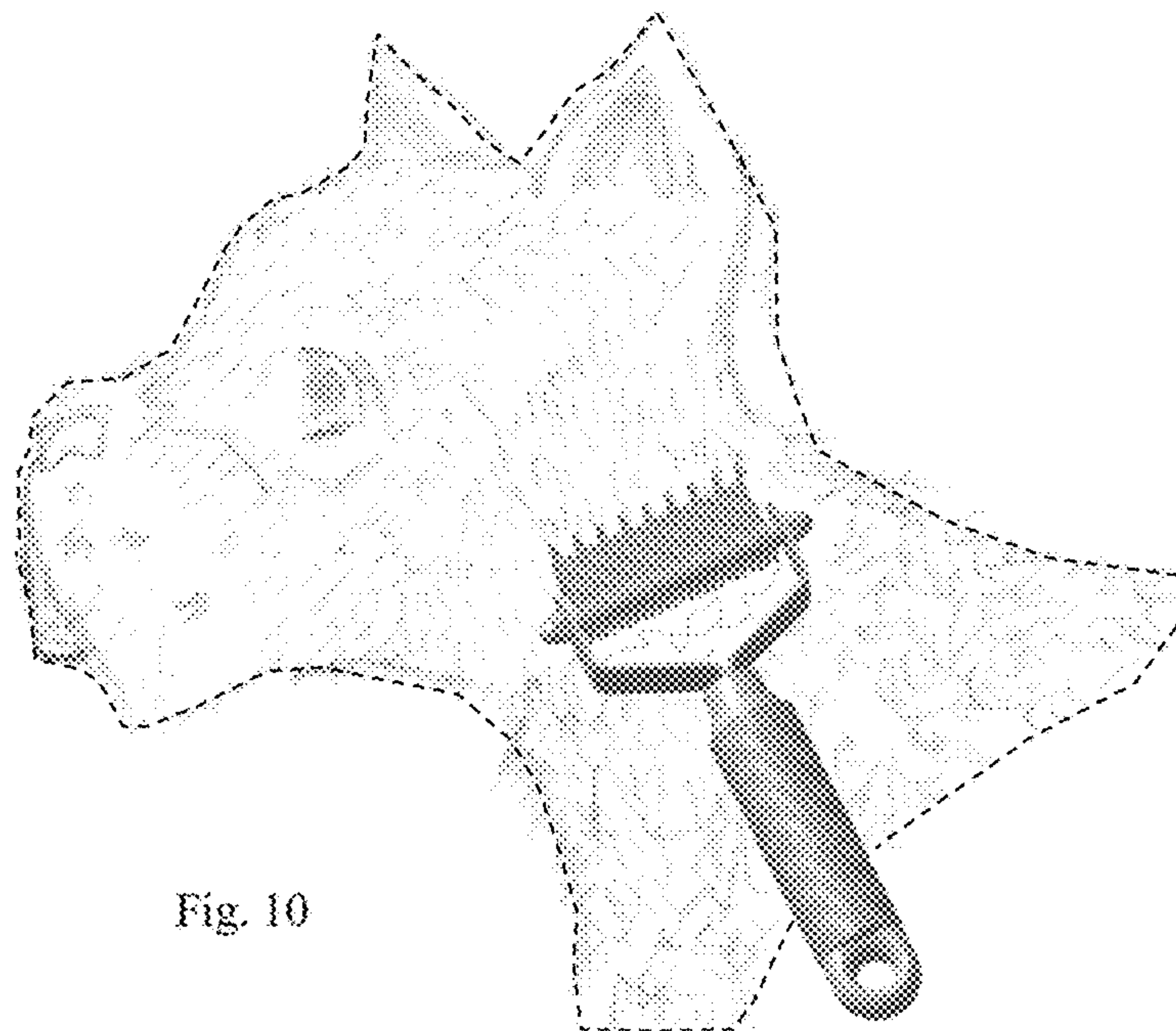


Fig. 10