



US00D844260S

(12) **United States Design Patent** (10) **Patent No.:** **US D844,260 S**
Cai (45) **Date of Patent:** **** Mar. 26, 2019**

(54) **ANIMAL COLLAR**
(71) Applicant: **PetSmart Home Office, Inc.**, Phoenix, AZ (US)
(72) Inventor: **Bin Cai**, Taizhou (CN)
(73) Assignee: **PetSmart Home Office, Inc.**, Phoenix, AZ (US)

D562,505 S 2/2008 Fujita
7,765,957 B2 8/2010 Behravesch et al.
D631,210 S 1/2011 Hurst
(Continued)

(**) Term: **15 Years**
(21) Appl. No.: **29/613,472**
(22) Filed: **Aug. 10, 2017**
(51) **LOC (11) Cl.** **30-04**
(52) **U.S. Cl.**
USPC **D30/152**
(58) **Field of Classification Search**
USPC D30/152, 199; D11/79, 86, 87, 200–201, D11/206–210, 214–216, 222–223, 226, D11/230–238; D10/30, 40, 70, 50, 52, D10/60, 61, 104.1, 104.2; D14/344, 242, D14/203.1, 203.3, 203.5; D24/186, 191; D16/208, 219, 201; D2/321, 624, 627, D2/639–640; 119/863; 24/178
CPC A01K 11/006; A01K 11/008; A01K 13/00; A01K 15/021; A01K 15/022; A01K 27/00; A01K 27/001; A01K 27/005; A01K 27/009; A01K 27/008; A01K 27/006; A01K 29/00
See application file for complete search history.

FOREIGN PATENT DOCUMENTS

CN 304764523 * 8/2018

OTHER PUBLICATIONS

Calm Paws Behavior Support Calming E-Collar, published 2017 [online], [retrieved Oct. 25, 2018], Available from Internet, URL: <<https://www.petsmart.com/sale/dog/collars-harnesses-and-leashes/collars/calm-paws-behavior-supportandtrade-calming-e-collar-42164.html?cgid=S100220>>.*

Primary Examiner — Barbara Fox
Assistant Examiner — Mary C Ramirez
(74) *Attorney, Agent, or Firm* — Duane Morris LLP

(57) **CLAIM**

I claim the ornamental design for an animal collar, as shown and described.

DESCRIPTION

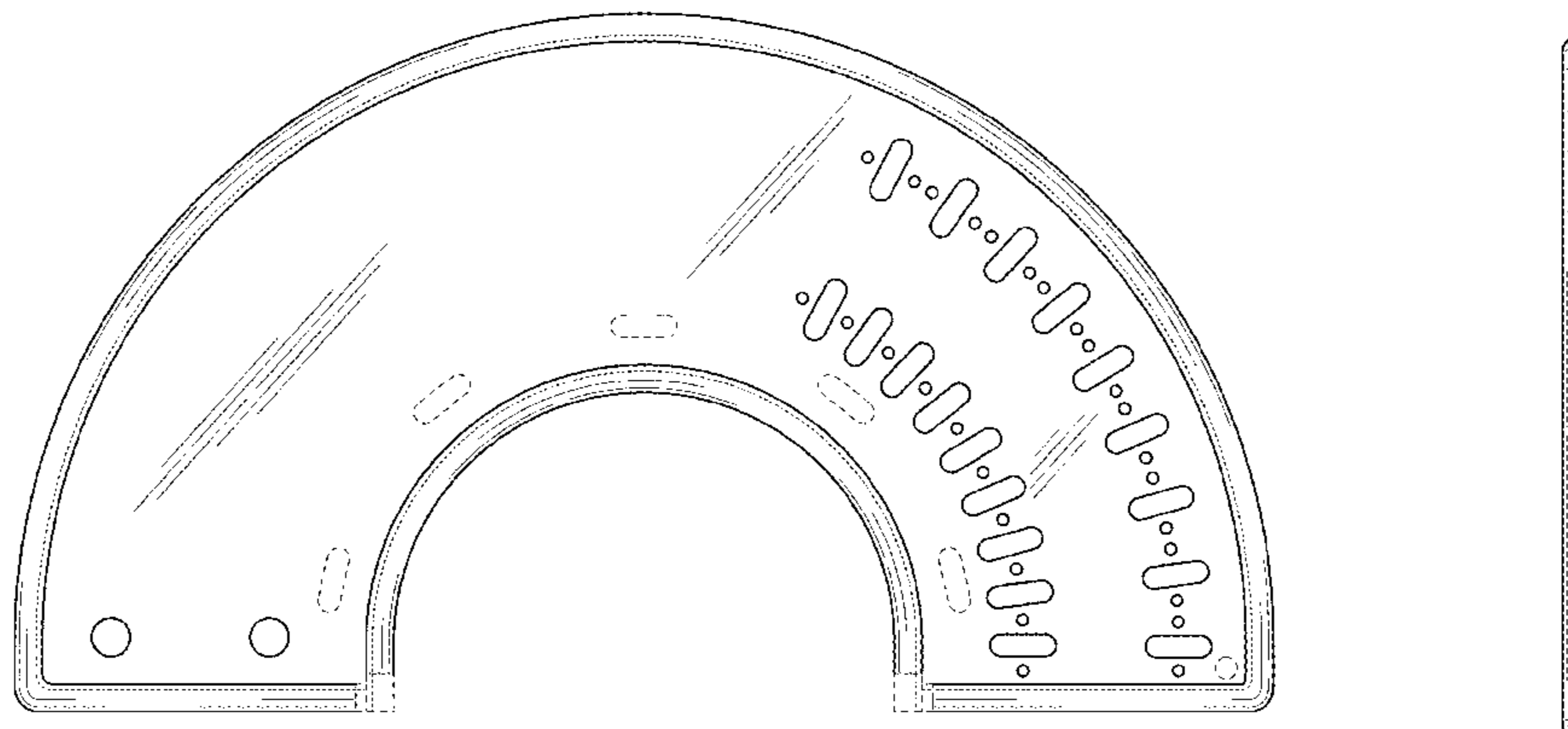
FIG. 1 is a top perspective view of an animal collar showing the new design;
FIG. 2 is a bottom perspective view thereof;
FIG. 3 is a top view thereof;
FIG. 4 is a bottom view thereof;
FIG. 5 is a left view thereof;
FIG. 6 is a right view thereof;
FIG. 7 is a rear view thereof; and,
FIG. 8 is a front view thereof.
The broken line features in FIGS. 1 and 2 showing fasteners are environmental subject matter and form no part of the claimed design. The dotted lines in FIGS. 1-8 depict stitching and form no part of the claimed design. All other dashed broken lines shown in the drawings depict portions of the animal collar that form no part of the claimed design.

(56) **References Cited**

U.S. PATENT DOCUMENTS

3,036,554 A 5/1962 Johnson
4,200,057 A 4/1980 Agar
5,012,764 A 5/1991 Fick et al.
5,197,414 A * 3/1993 Kanakura A01K 13/006
119/815
5,349,927 A 9/1994 Campbell
5,797,354 A 8/1998 Marschall
D506,296 S 7/2005 Driver

1 Claim, 5 Drawing Sheets



(56)

References Cited

U.S. PATENT DOCUMENTS

D632,851	S	2/2011	Maroney et al.	
D647,669	S	10/2011	Martinez	
8,042,494	B2	10/2011	Markfield	
8,181,609	B2	5/2012	Ohashi	
D664,721	S	7/2012	Martinez	
D673,739	S	1/2013	Herrera	
D705,502	S	5/2014	Markfield	
8,720,386	B2	5/2014	Markfield	
8,739,741	B2 *	6/2014	Groff	A61D 9/00 119/815
D734,899	S	7/2015	Martinez	
D757,372	S *	5/2016	Clinton	D30/121
9,585,365	B1 *	3/2017	Gibson	A01K 13/006
2009/0000569	A1 *	1/2009	Behraves	A01K 13/006 119/815
2009/0241855	A1	10/2009	Stocki et al.	
2010/0024745	A1	2/2010	Harlow	
2011/0277701	A1	11/2011	King	
2012/0325163	A1 *	12/2012	Markfield	A01K 13/006 119/855
2017/0325423	A1 *	11/2017	McGrath	A01K 15/04
2018/0077901	A1 *	3/2018	Hallquist	A01K 27/001
2018/0184619	A1 *	7/2018	Sparks	A01K 15/04

* cited by examiner

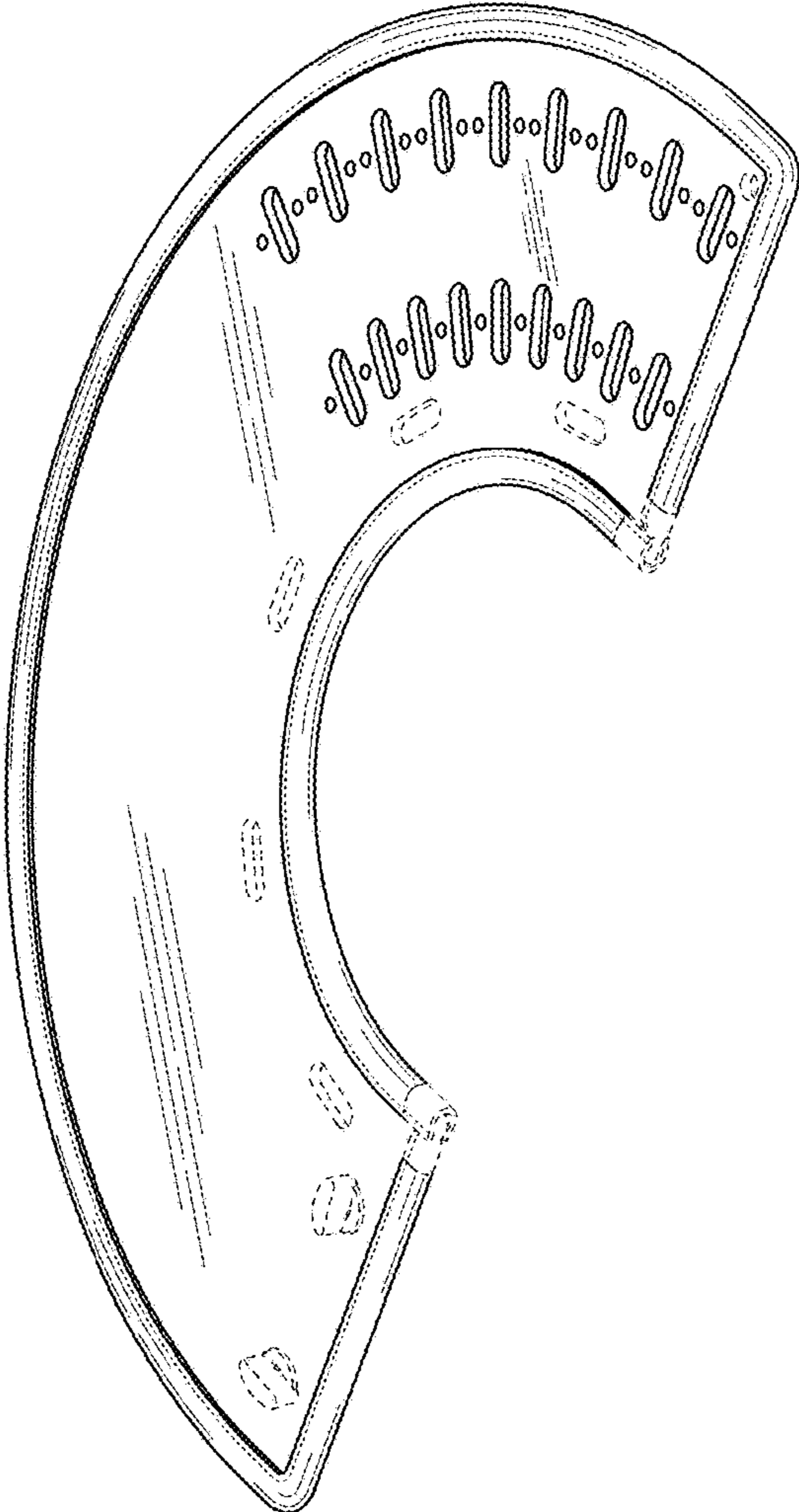


FIG. 1

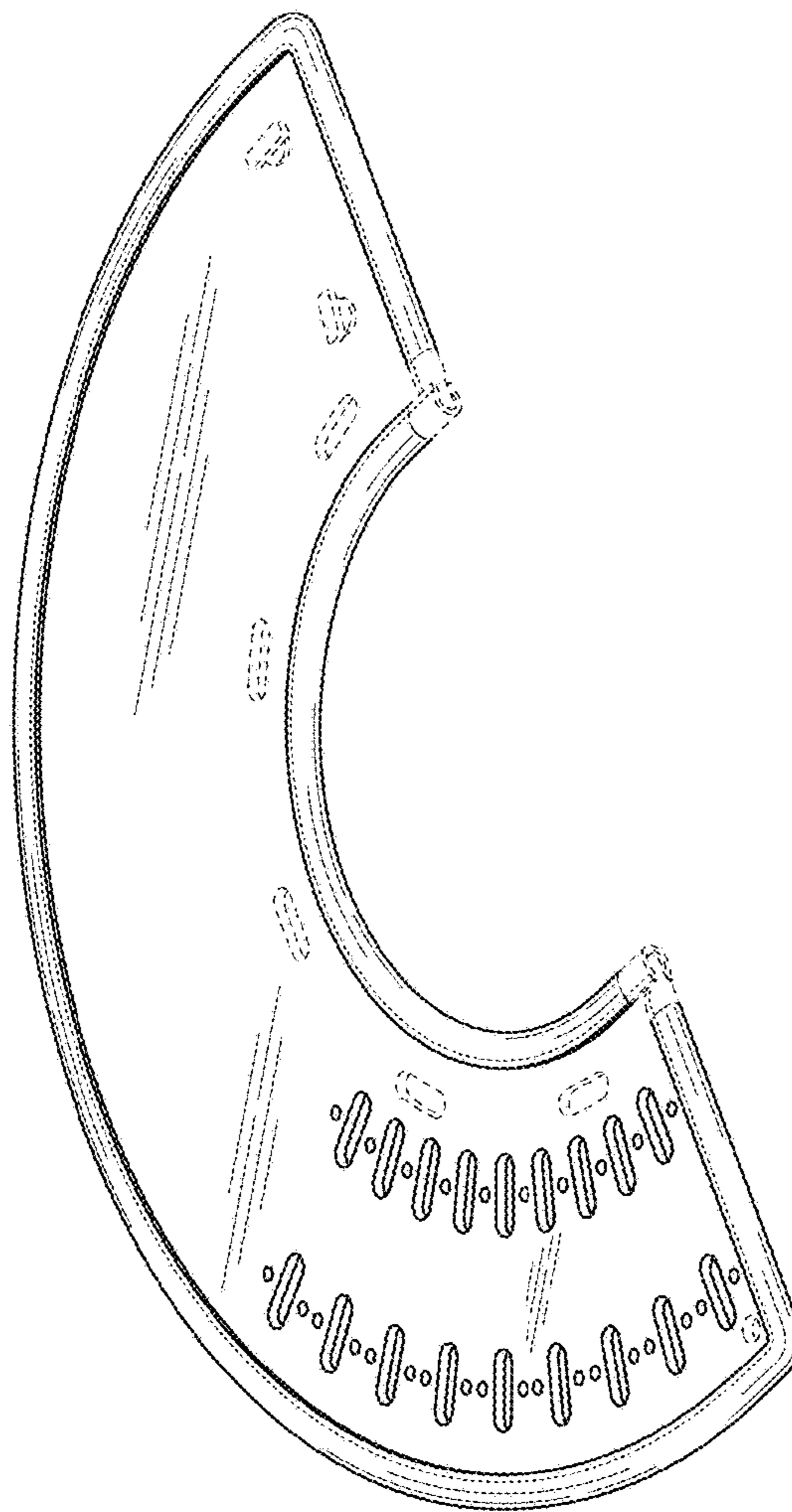


FIG. 2

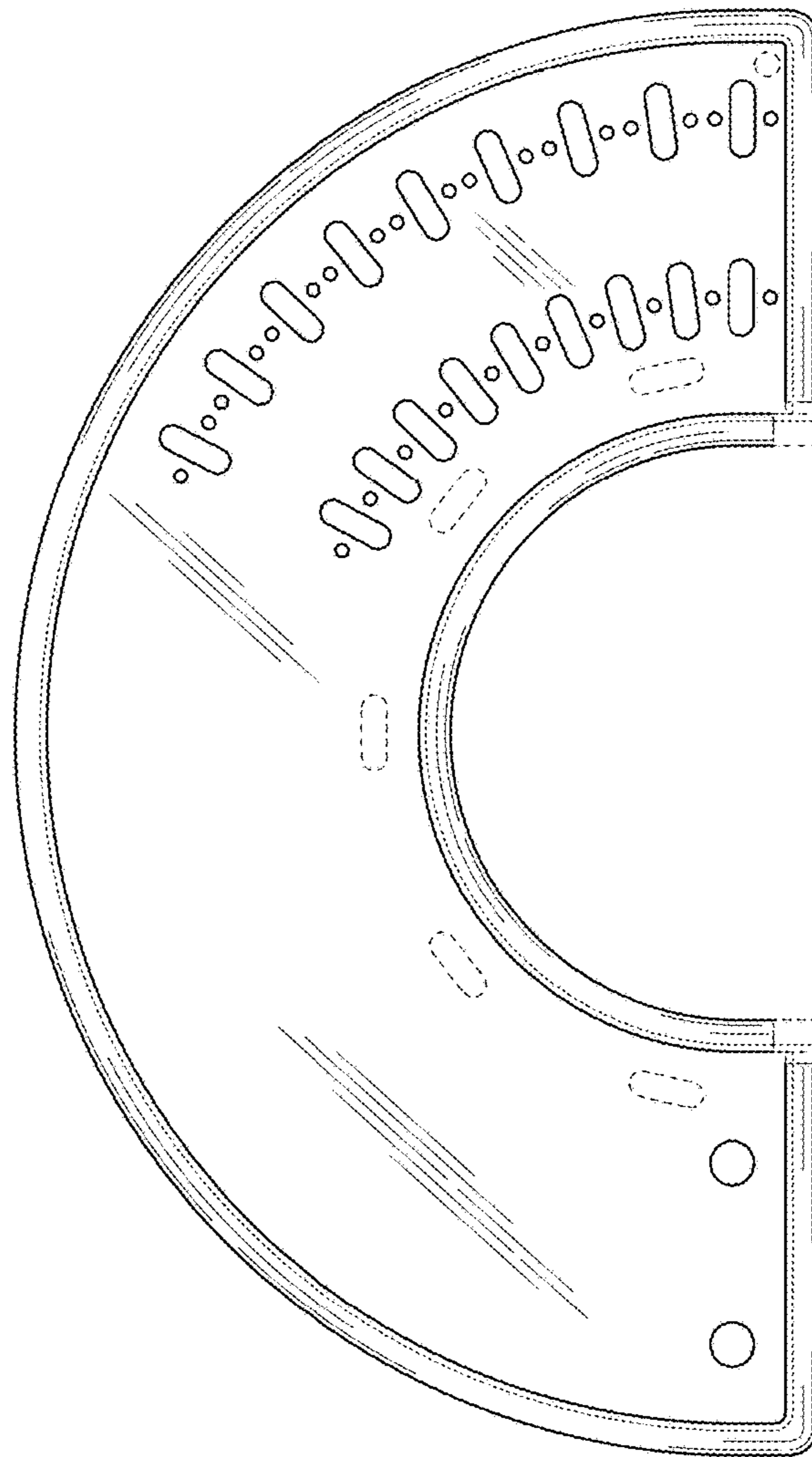


FIG. 3

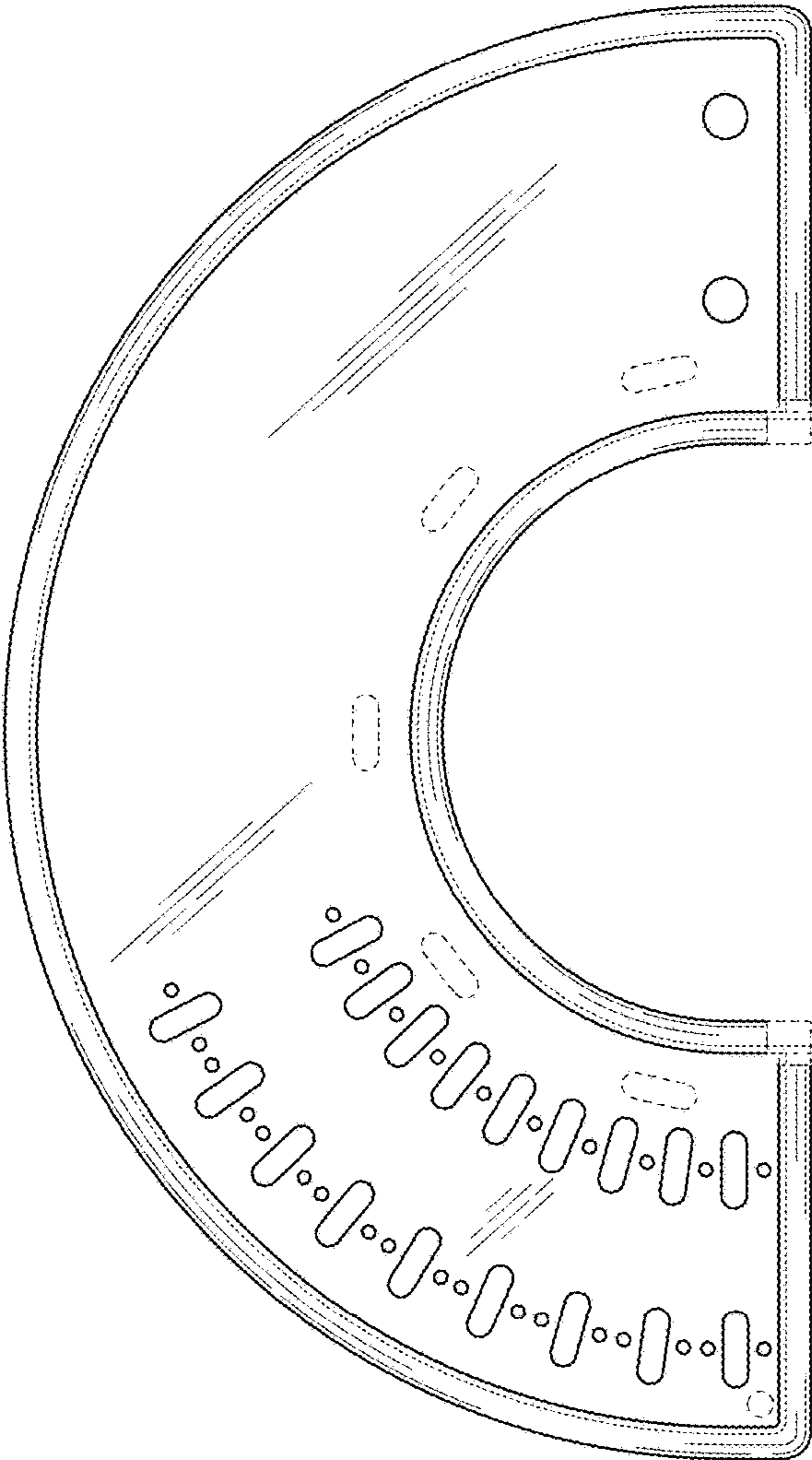


FIG. 4

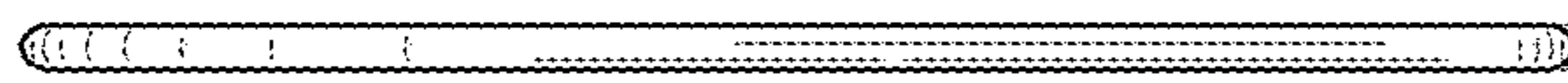


FIG. 5

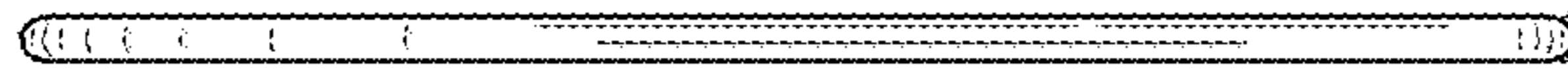


FIG. 6

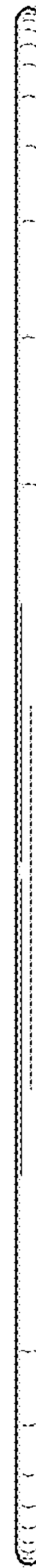


FIG. 7

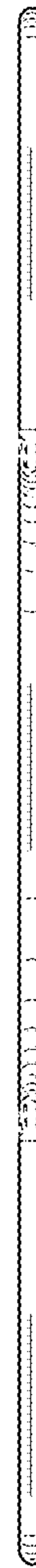


FIG. 8