



US00D844257S

(12) **United States Design Patent**
Fasana

(10) **Patent No.:** **US D844,257 S**

(45) **Date of Patent:** **** Mar. 26, 2019**

(54) **TRANSPORT CONTAINER FOR ANIMALS**

(71) Applicant: **DEVARANA SA**, Cadro (CH)

(72) Inventor: **Massimiliano Fasana**, Milan (IT)

(73) Assignee: **DEVARANA SA**, Cadro (CH)

(**) Term: **15 Years**

(21) Appl. No.: **29/539,410**

(22) Filed: **Sep. 14, 2015**

(30) **Foreign Application Priority Data**

Jun. 10, 2015 (EM) 002716175-0001

(51) **LOC (11) Cl.** **30-02**

(52) **U.S. Cl.**
USPC **D30/109**

(58) **Field of Classification Search**
USPC D30/108-109, 112-118
CPC A01K 1/02; A01K 1/03; A01K 1/0245;
A01K 1/0254; A01K 29/00; A01K 3/00;
A01K 1/00; A01K 1/033; A01K 1/034;
A01K 1/035; A01K 1/0029; A01K
1/0218; A01K 1/0353; A45F 3/04
See application file for complete search history.

(56) **References Cited**

U.S. PATENT DOCUMENTS

- 960,199 A * 5/1910 Roy A01K 1/03
119/481
- 2,969,767 A * 1/1961 Bassett A01K 1/0254
119/497
- 3,156,213 A * 11/1964 Patten A01K 1/0236
119/497
- D200,298 S * 2/1965 Daniel D30/117
- D203,972 S * 3/1966 Daugherty D30/117
- 3,547,079 A * 12/1970 Bassett A01K 1/0254
119/497

- 3,850,144 A * 11/1974 Springer A01K 1/029
119/497
- 3,941,092 A * 3/1976 Winters A01K 13/001
119/497
- 4,057,032 A * 11/1977 Dimitriadis A61D 11/00
119/671
- D274,760 S * 7/1984 Henderson D30/108
- 4,977,857 A * 12/1990 Slawinski A01K 1/0254
119/497
- D331,131 S * 11/1992 Quillen D30/109
- 5,176,102 A * 1/1993 Tracy A01K 1/029
119/497
- D350,422 S * 9/1994 Foster, Sr. D30/109
- 5,769,028 A * 6/1998 Deckys A01K 1/0245
119/473
- 5,887,436 A * 3/1999 Duddleston A01K 1/0236
119/500
- 6,866,009 B2 * 3/2005 Smith, Jr. A01K 1/0254
119/840
- D551,810 S * 9/2007 Yeung D30/108
- D558,406 S * 12/2007 King D30/109

(Continued)

Primary Examiner — Janice Hallmark

(74) *Attorney, Agent, or Firm* — Pearne & Gordon LLP

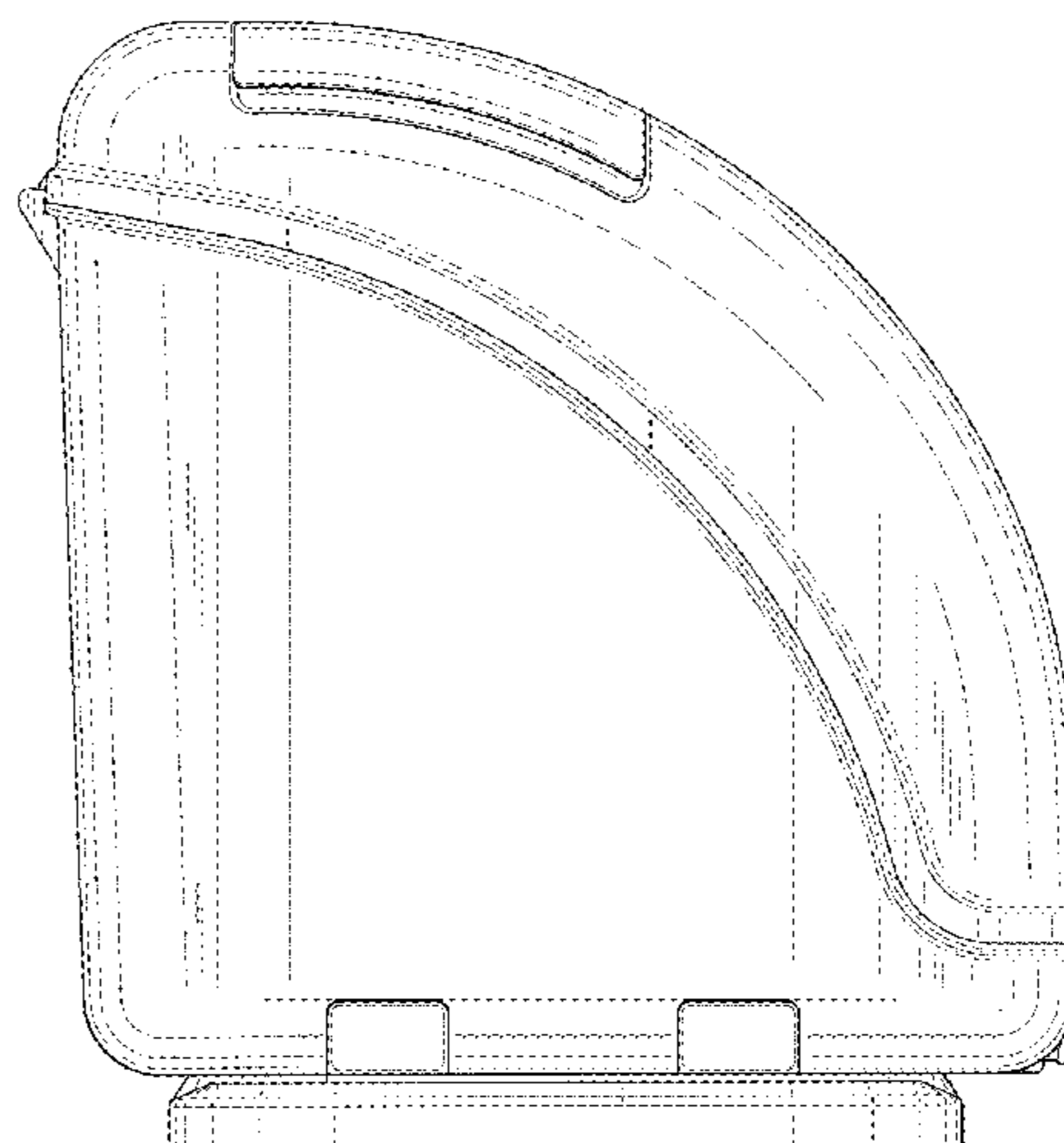
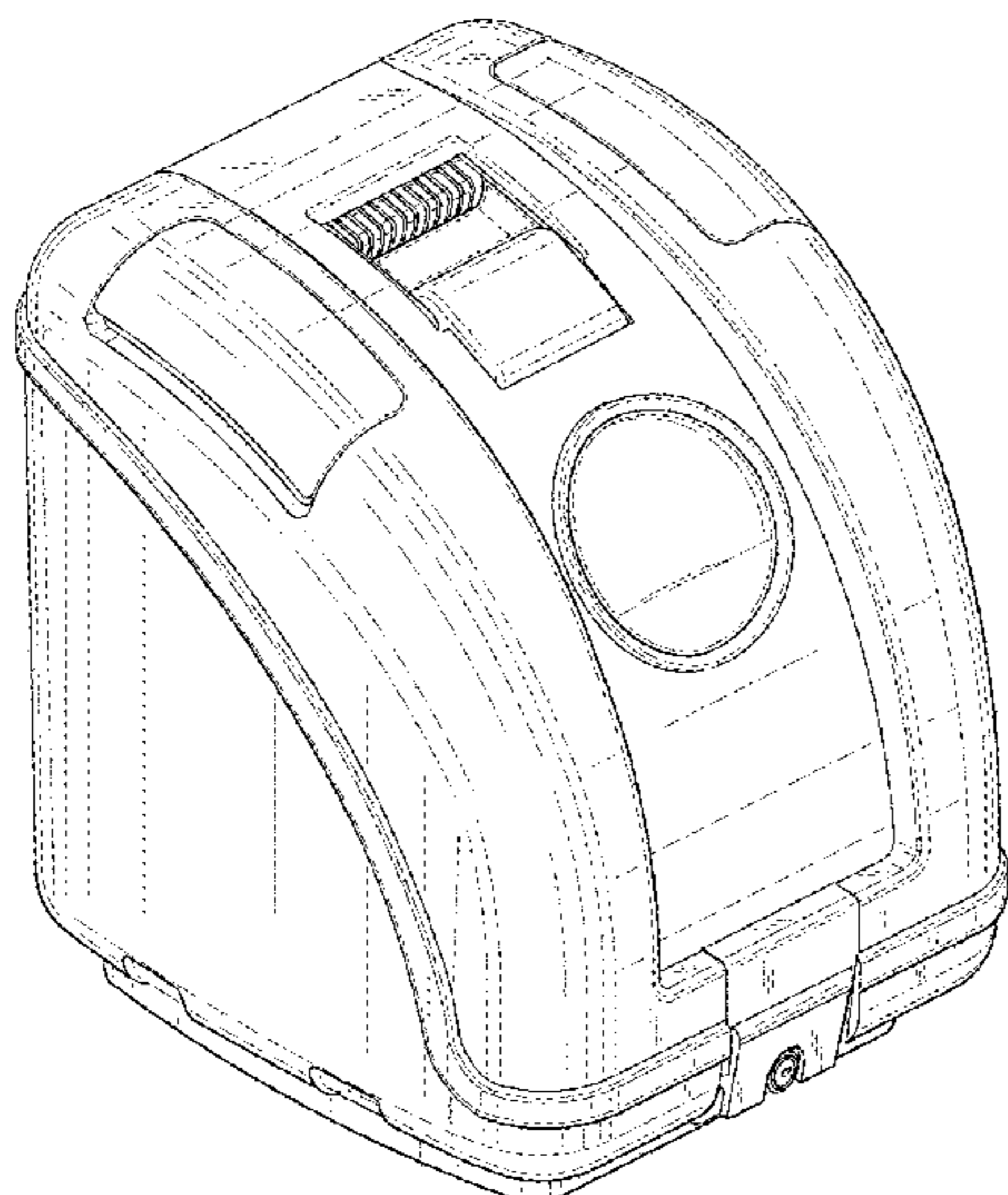
(57) **CLAIM**

The ornamental design for a transport container for animals, as shown and described.

DESCRIPTION

FIG. 1 is a perspective view of a transport container for animals, showing my new design;
FIG. 2 is a front view thereof;
FIG. 3 is a back view thereof;
FIG. 4 is a bottom view thereof;
FIG. 5 is a top view thereof;
FIG. 6 is a left side view thereof; and,
FIG. 7 is a right side view thereof.
The broken lines depict environmental subject matter and form no part of the claimed design.

1 Claim, 7 Drawing Sheets



(56)

References Cited

U.S. PATENT DOCUMENTS

7,392,764	B2 *	7/2008	Saavedra	A01K 1/0613 119/453
D632,026	S *	2/2011	Higashi	D30/118
D665,951	S *	8/2012	Lloyd	D30/109
8,474,412	B1 *	7/2013	Walden	A01K 1/0263 119/725
D701,652	S *	3/2014	Roberts	D30/108
D705,996	S *	5/2014	Renforth	D30/108
9,241,473	B2 *	1/2016	Fredericks	A01K 1/0023
2011/0056441	A1 *	3/2011	Chang	A01K 1/0245 119/453

* cited by examiner

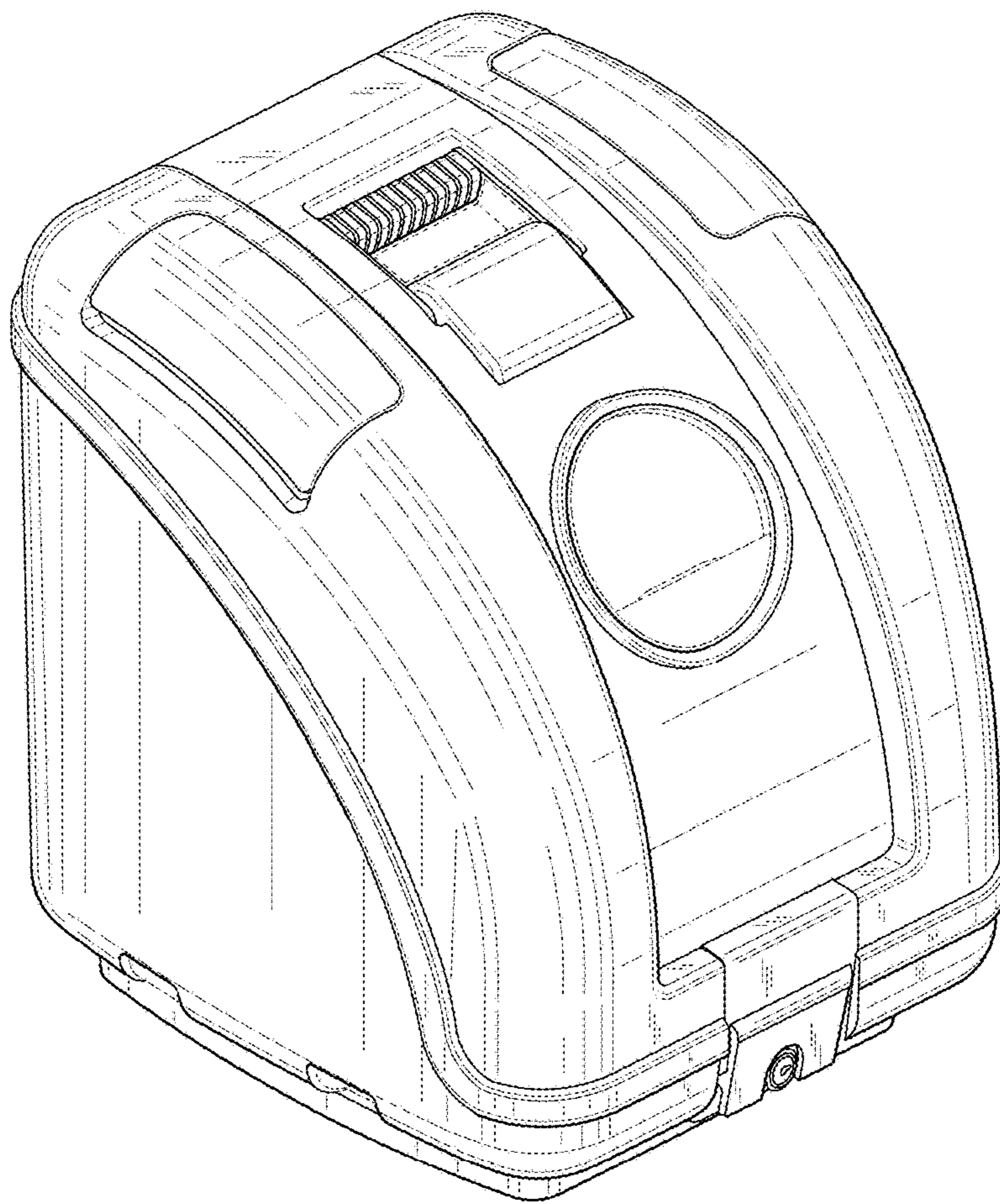


FIG. 1

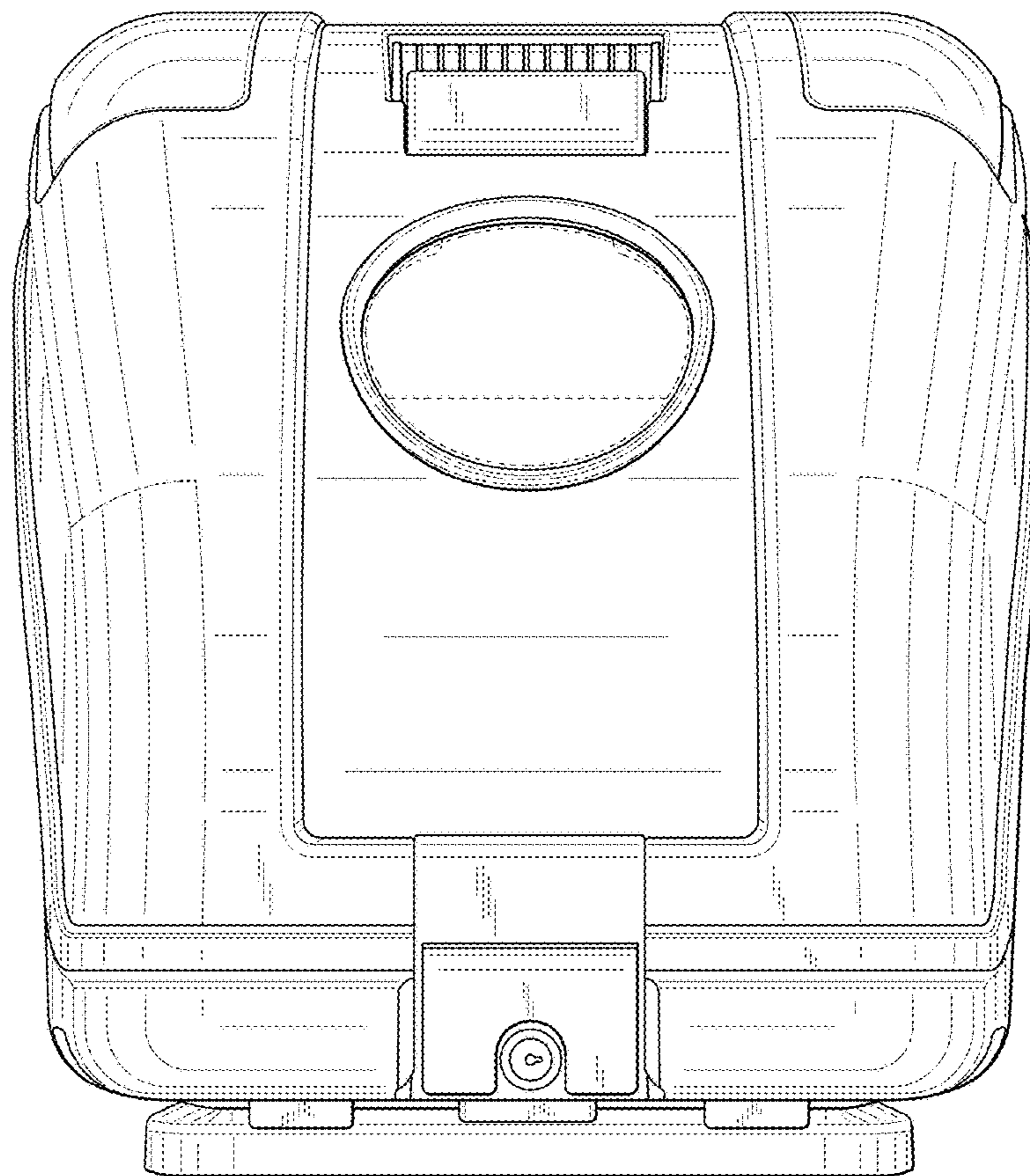


FIG.2

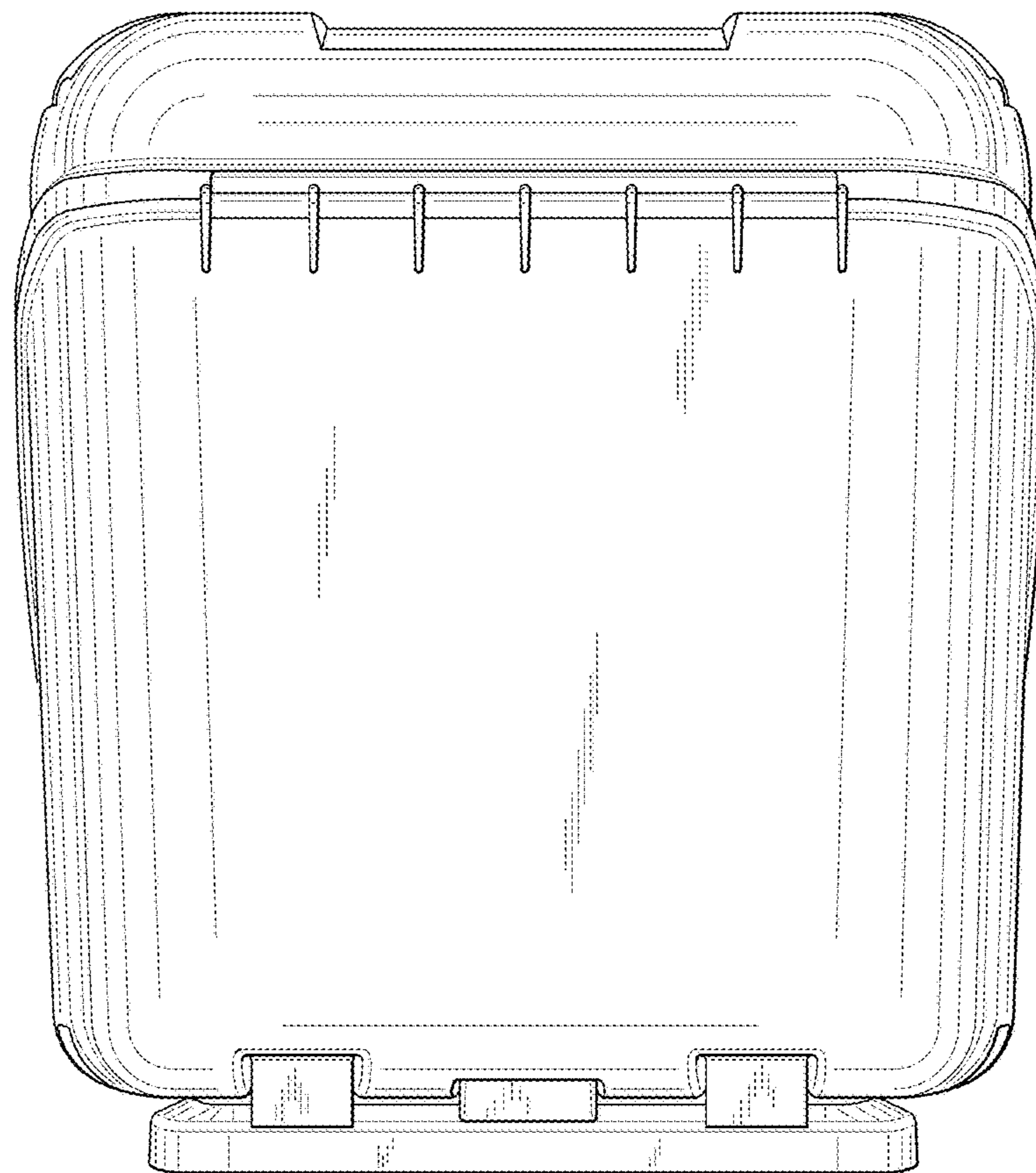


FIG.3

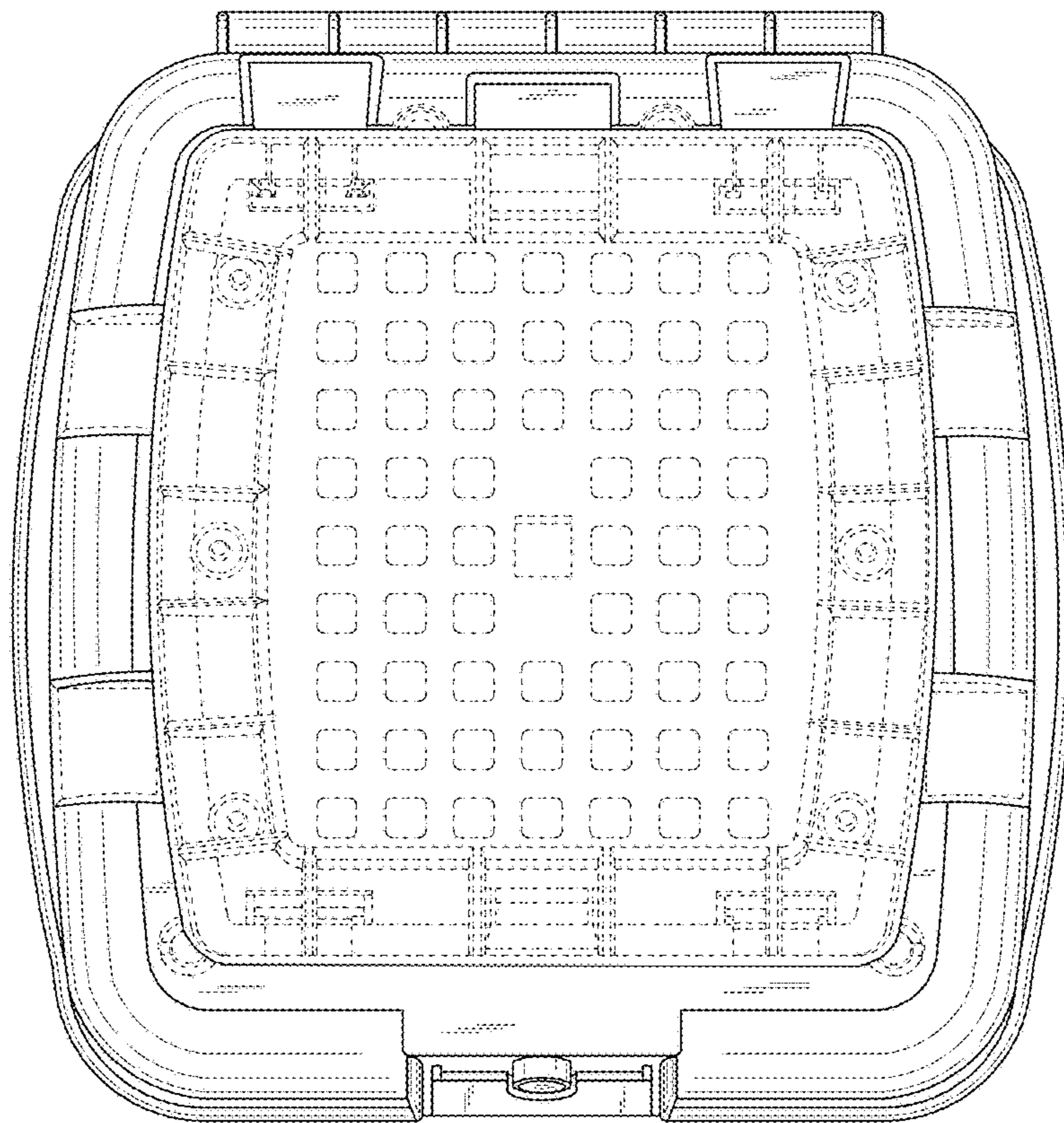


FIG. 4

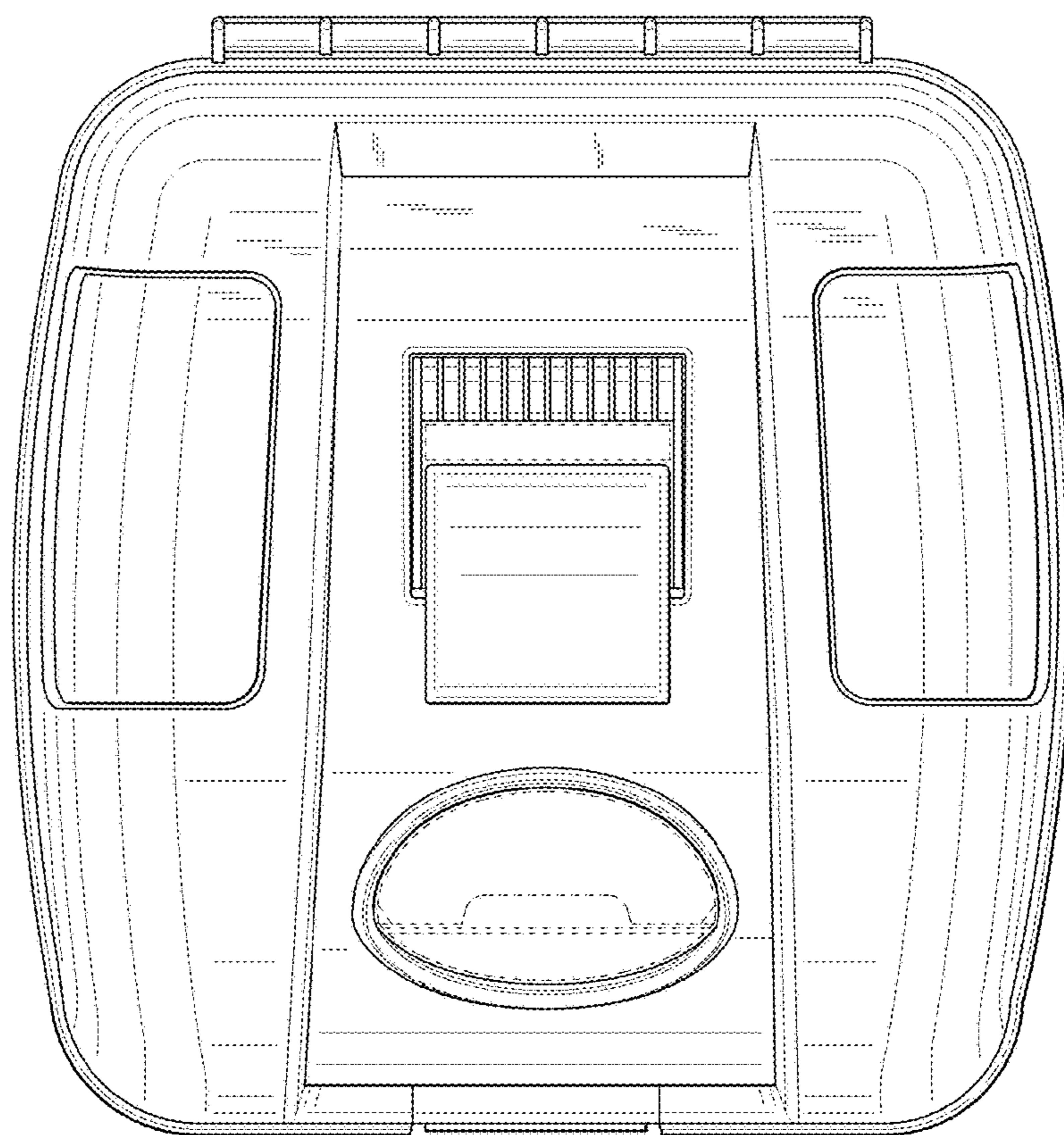


FIG.5

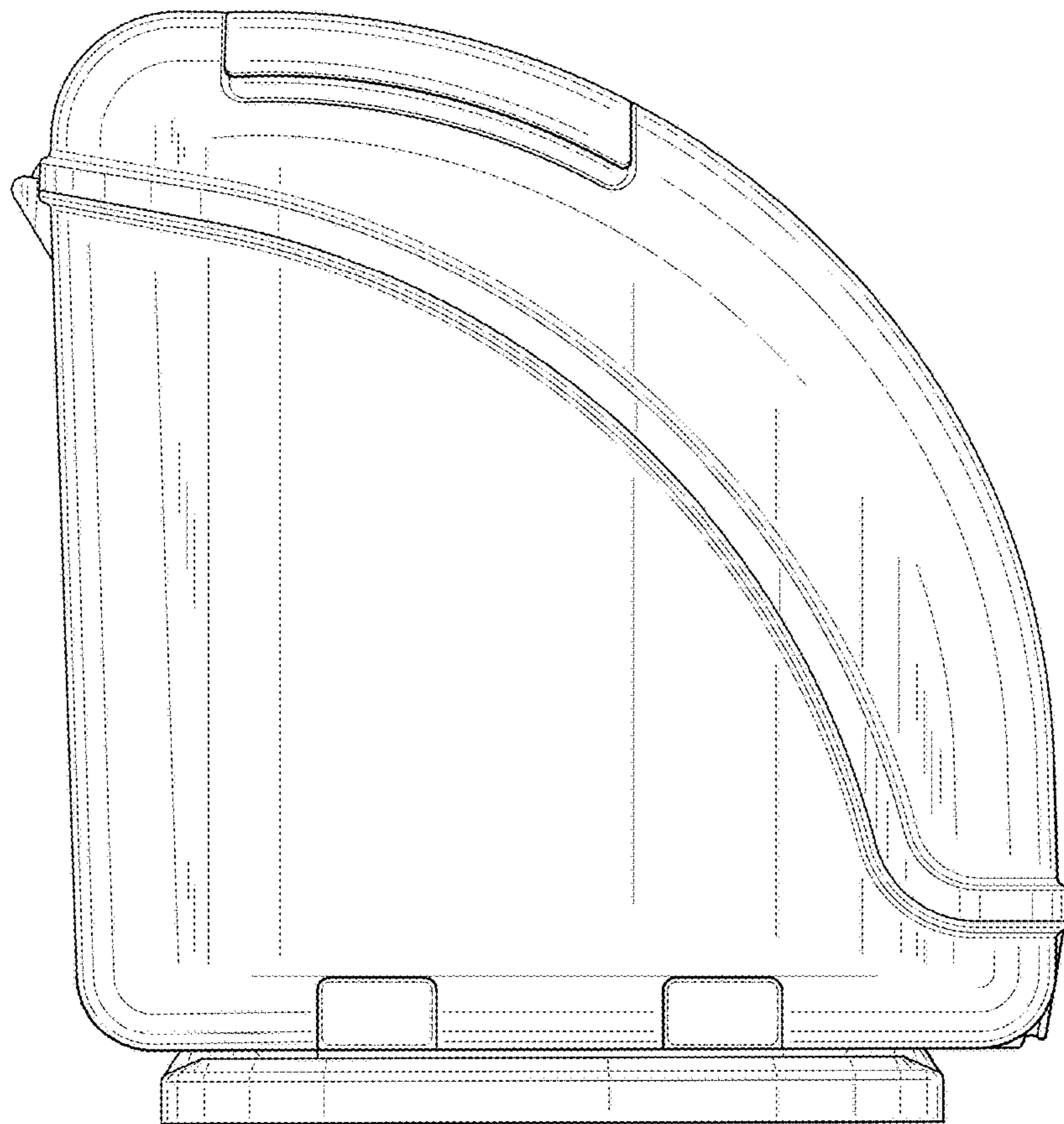


FIG. 6

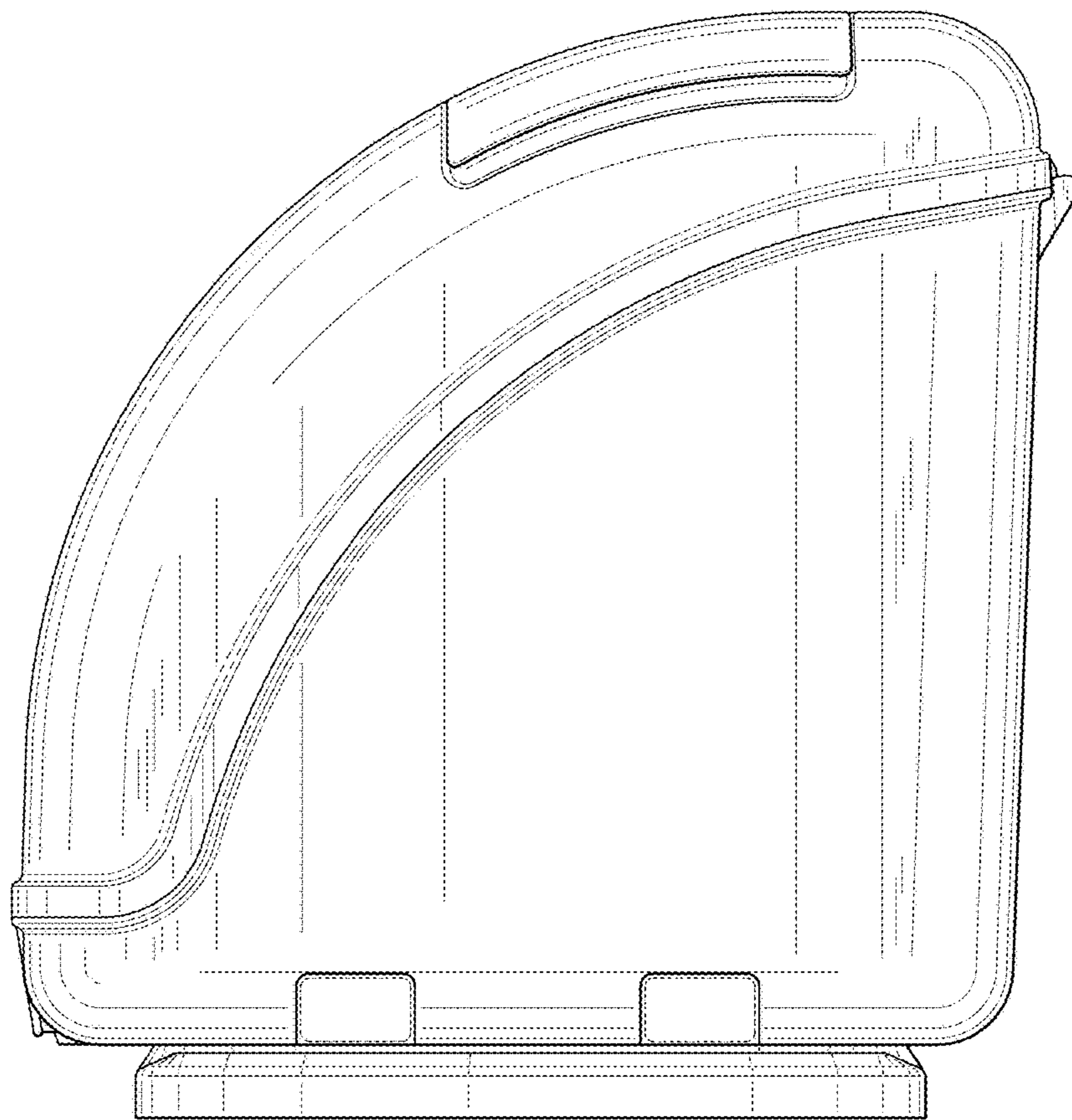


Fig.7