



US00D844256S

(12) **United States Design Patent** (10) **Patent No.:** **US D844,256 S**  
**Warmouth et al.** (45) **Date of Patent:** **\*\* Mar. 26, 2019**

(54) **HELMET FACE GUARD TWIST-RELEASE MOUNT**

*Primary Examiner* — Randall H Gholson  
(74) *Attorney, Agent, or Firm* — Notaro, Michalos & Zaccaria P.C.

(71) Applicant: **KRANOS IP CORPORATION**,  
Litchfield, IL (US)

(57) **CLAIM**

The ornamental design for a helmet face guard twist-release mount, as shown and described.

(72) Inventors: **Cortney Warmouth**, Edwardsville, IL (US); **Louis Anthony VanHoutin**, Iuka, IL (US); **Vincent R. Long**, St. Peters, MO (US)

**DESCRIPTION**

(73) Assignee: **KRANOS IP CORPORATION**,  
Litchfield, IL (US)

FIG. 1 is a left, top, perspective view of a first embodiment of a helmet face guard twist-release mount showing our design therefor;  
FIG. 2 is a front view of the helmet face guard twist-release mount of FIG. 1;  
FIG. 3 is a rear view of the helmet face guard twist-release mount of FIG. 1;  
FIG. 4 is a right side view of the helmet face guard twist-release mount of FIG. 1;  
FIG. 5 is a left side view of the helmet face guard twist-release mount of FIG. 1;  
FIG. 6 is a top view of the helmet face guard twist-release mount of FIG. 1;  
FIG. 7 is a bottom view of the helmet face guard twist-release mount of FIG. 1;  
FIG. 8 is a left, top, perspective view of a second embodiment of a helmet face guard twist-release mount showing our design therefor;  
FIG. 9 is a front view of the helmet face guard twist-release mount of FIG. 8;  
FIG. 10 is a rear view of the helmet face guard twist-release mount of FIG. 8;  
FIG. 11 is a right side view of the helmet face guard twist-release mount of FIG. 8;  
FIG. 12 is a left side view of the helmet face guard twist-release mount of FIG. 8;  
FIG. 13 is a top view of the helmet face guard twist-release mount of FIG. 8; and,  
FIG. 14 is a bottom view of the helmet face guard twist-release mount of FIG. 8.  
Throughout FIGS. 8-14 the broken lines are for illustrative purposes only and form no part of the claimed design.

(\*\*) Term: **15 Years**

(21) Appl. No.: **29/616,447**

(22) Filed: **Sep. 6, 2017**

(51) **LOC (11) Cl.** ..... **29-02**

(52) **U.S. Cl.**  
USPC ..... **D29/122**

(58) **Field of Classification Search**  
USPC ..... D29/102-111, 122  
CPC .. A42B 3/20; A42B 3/322; A42B 3/00; A42B 3/127; A42B 3/14; A42B 3/08; A42B 3/166; A42B 3/222; A63B 71/10  
See application file for complete search history.

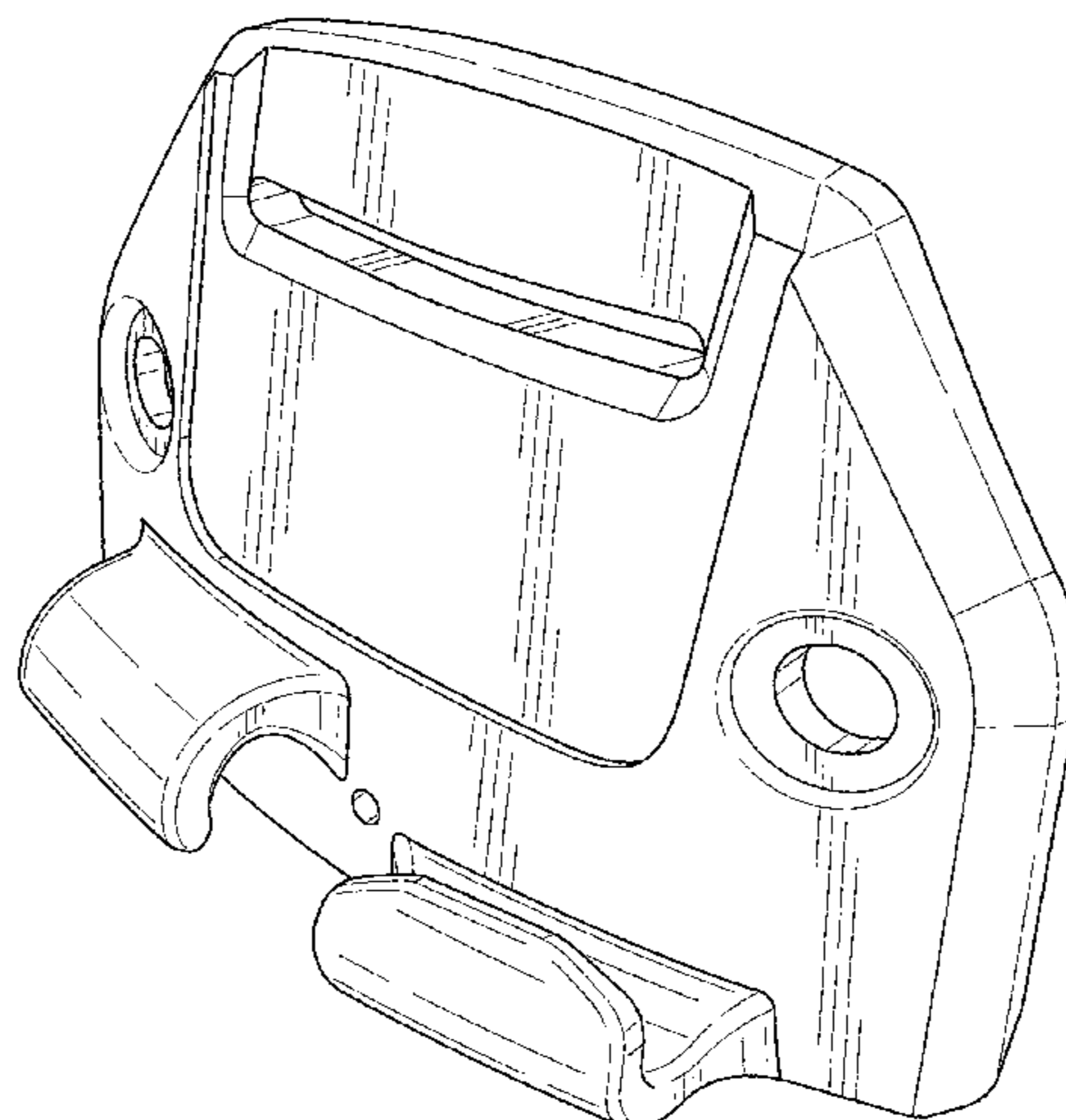
(56) **References Cited**

U.S. PATENT DOCUMENTS

3,139,624 A	7/1964	Humphrey
3,167,783 A	2/1965	Wolfe
3,263,236 A	8/1966	Humphrey
3,889,296 A	6/1975	Martin
4,028,743 A	6/1977	Christensen
4,233,687 A	11/1980	Lancellotii
4,587,677 A	5/1986	Clement

(Continued)

**1 Claim, 10 Drawing Sheets**



(56)

**References Cited**

U.S. PATENT DOCUMENTS

4,594,737	A	6/1986	Butash	
4,774,729	A	10/1988	Coates	
4,884,302	A	12/1989	Foehl	
4,885,807	A	12/1989	Snow, Jr.	
4,933,993	A	6/1990	McClelland	
4,985,938	A	1/1991	Snow, Jr.	
5,249,347	A	10/1993	Martinitz	
5,412,814	A	5/1995	Pernicka	
5,483,699	A	1/1996	Pernicka	
5,502,843	A	4/1996	Strickland	
5,732,414	A	3/1998	Monica	
5,963,990	A	10/1999	White	
5,978,973	A	11/1999	Chartrand	
6,047,400	A	4/2000	Spencer	
6,151,719	A	11/2000	Poole	
6,301,719	B1	10/2001	Goodhand	
8,146,178	B2 *	4/2012	Maddux	..... A42B 3/20 2/424
9,131,744	B2	9/2015	Erb et al.	
D753,346	S *	4/2016	Erb	..... D29/122
9,326,561	B2	5/2016	Erb et al.	
2005/0278835	A1	12/2005	Ide	
2009/0083900	A1	4/2009	Wallace	
2010/0122402	A1	5/2010	Tipp	
2011/0061152	A1	3/2011	Wismann	
2011/0131710	A1	6/2011	Maddux	
2011/0271428	A1	11/2011	Withnall	
2015/0335091	A1	11/2015	Erb et al.	
2015/0335092	A1	11/2015	Erb et al.	
2017/0056750	A1	3/2017	Erb et al.	

\* cited by examiner

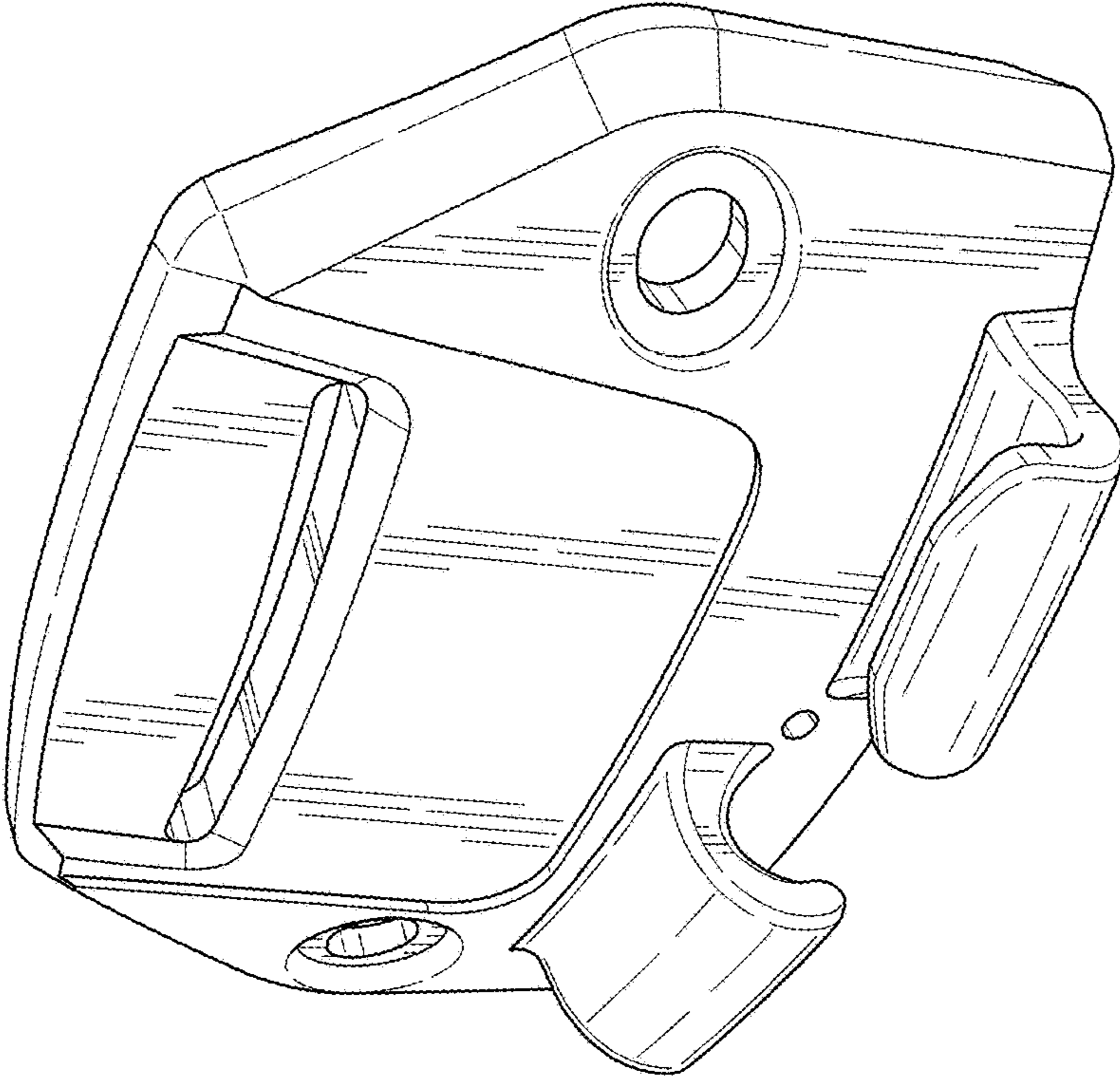


FIG. 1

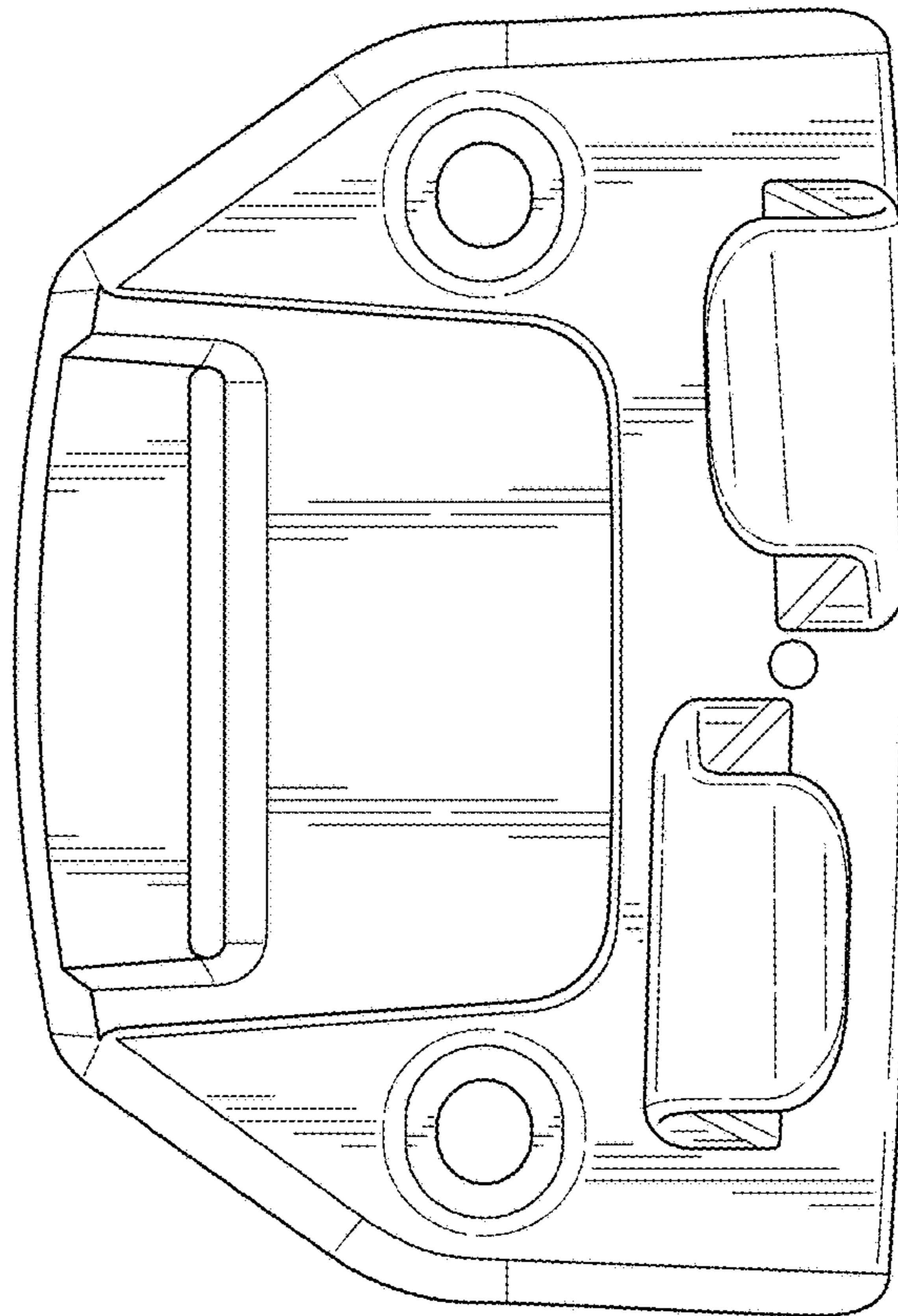


FIG. 2

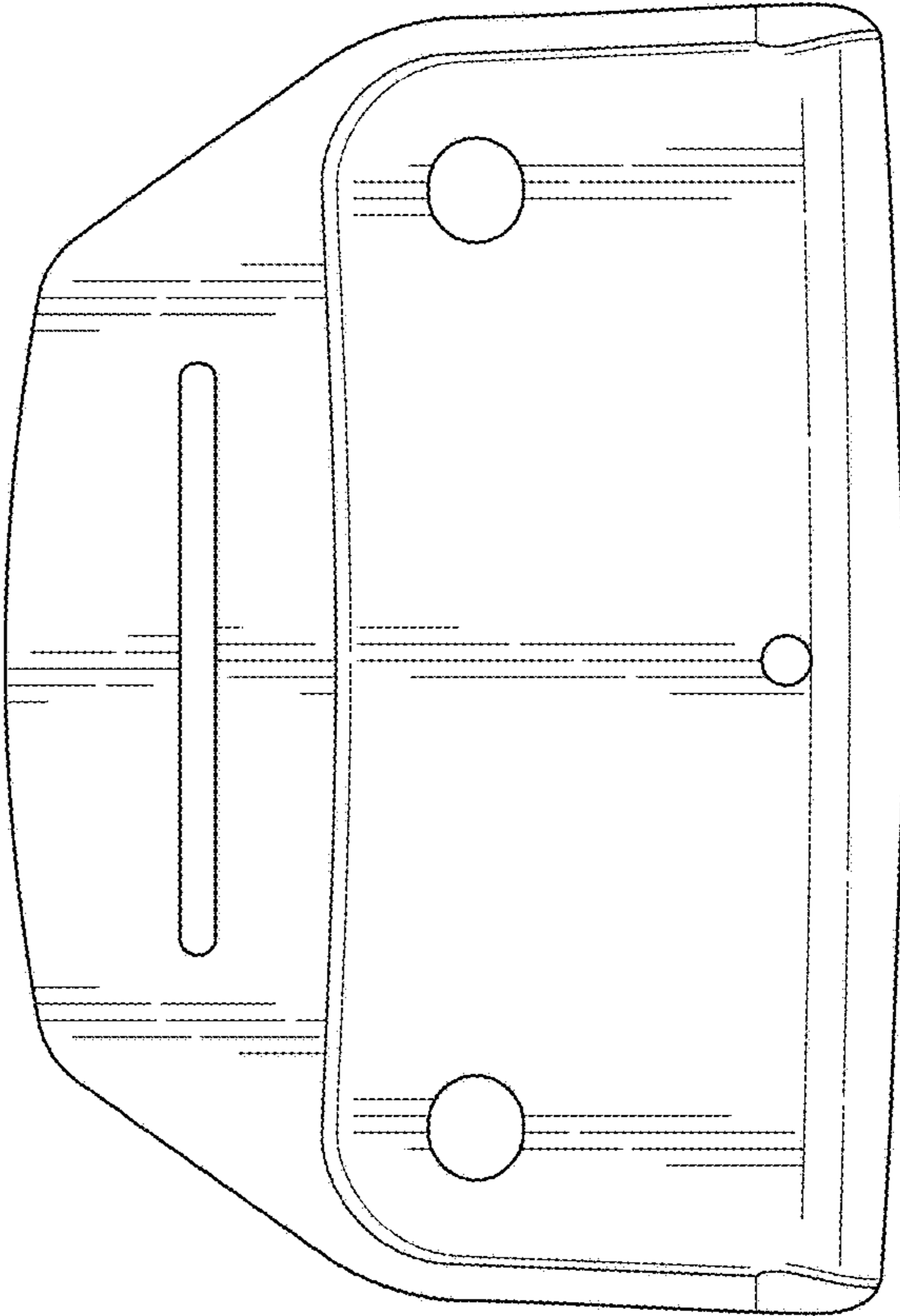


FIG. 3



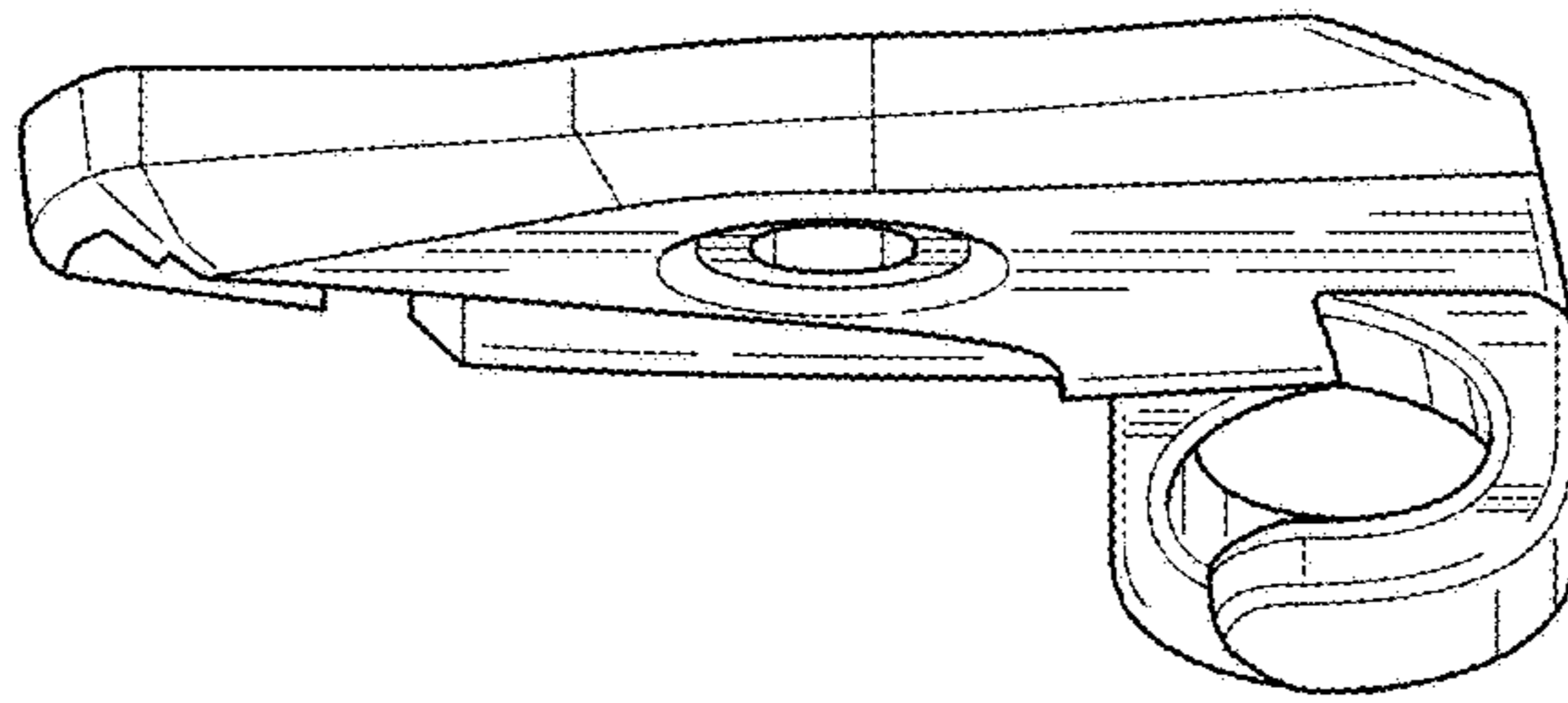


FIG. 5

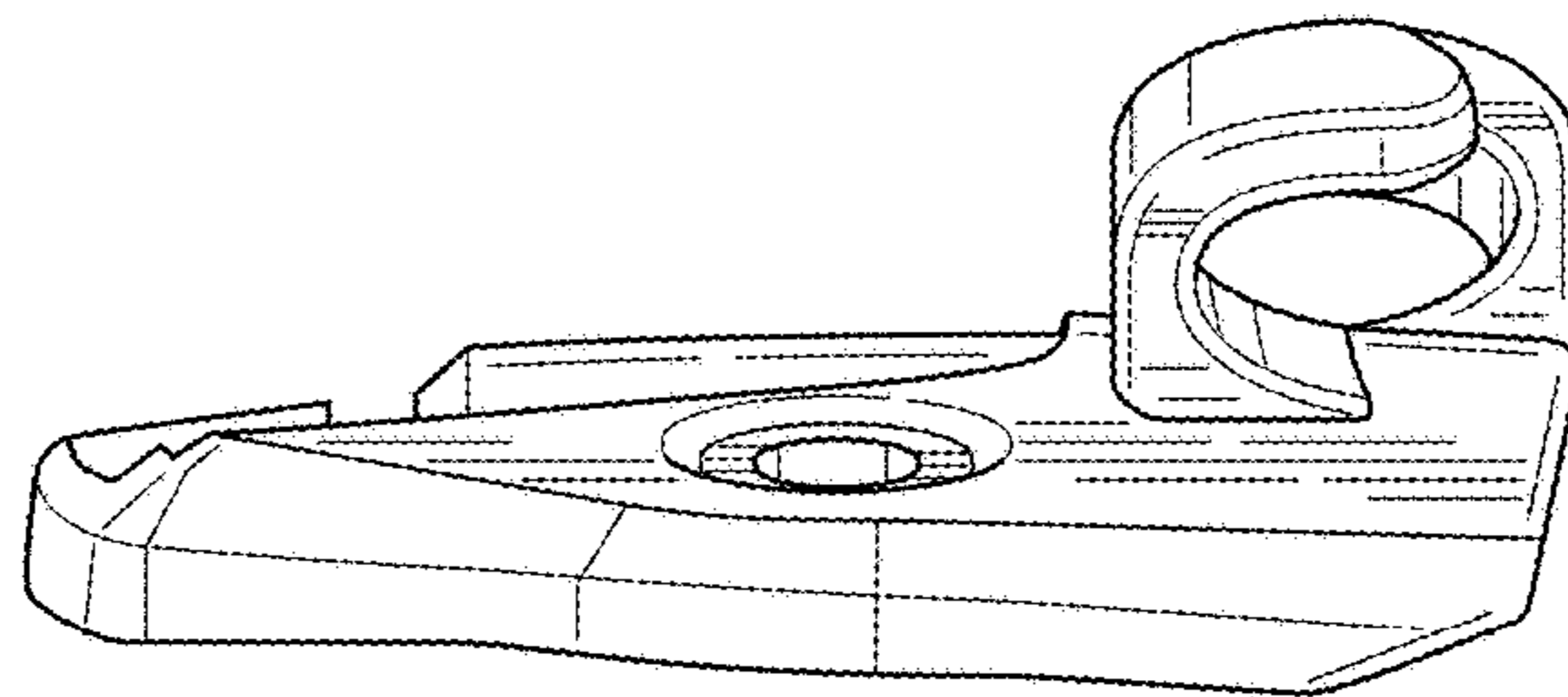


FIG. 4

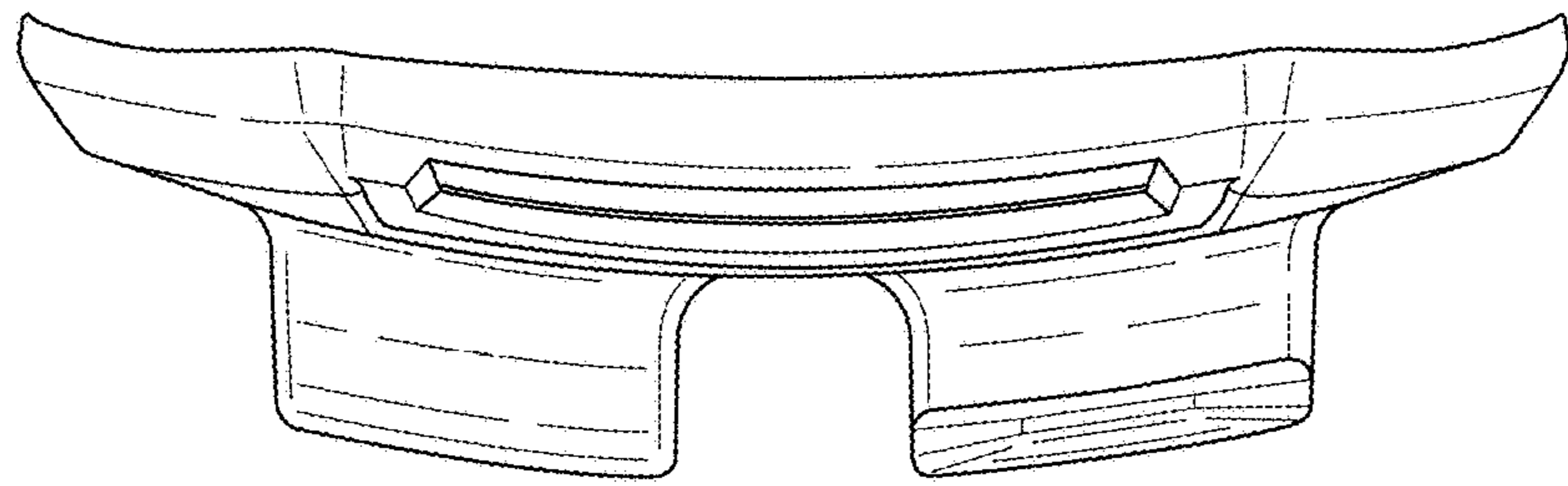


FIG. 6

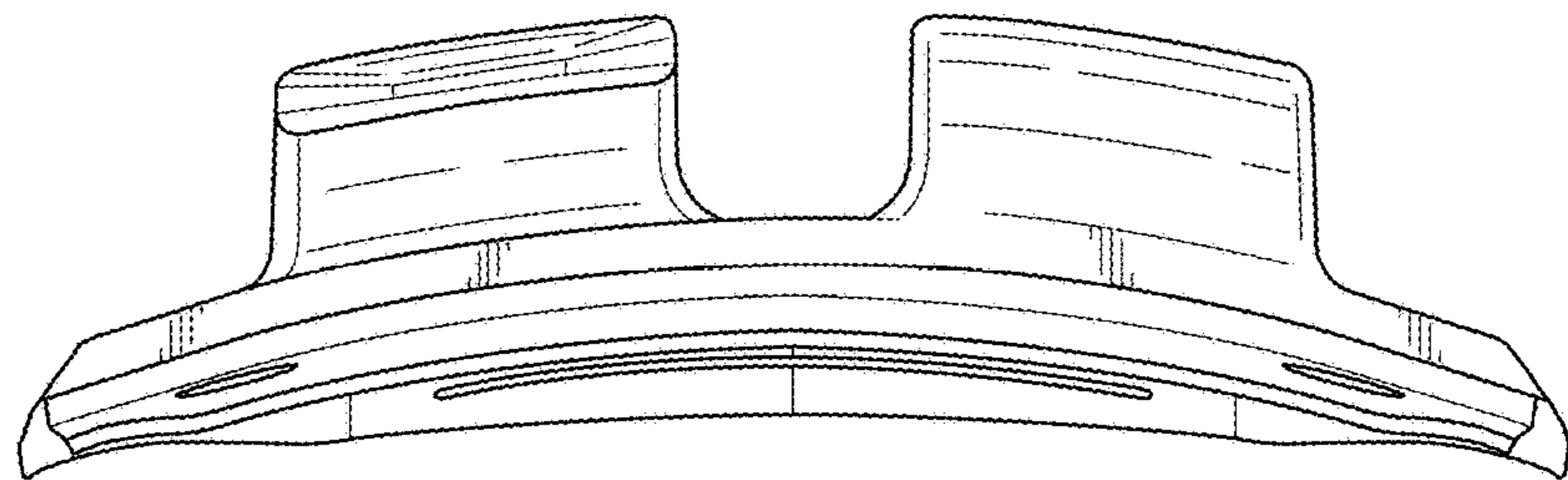


FIG. 7

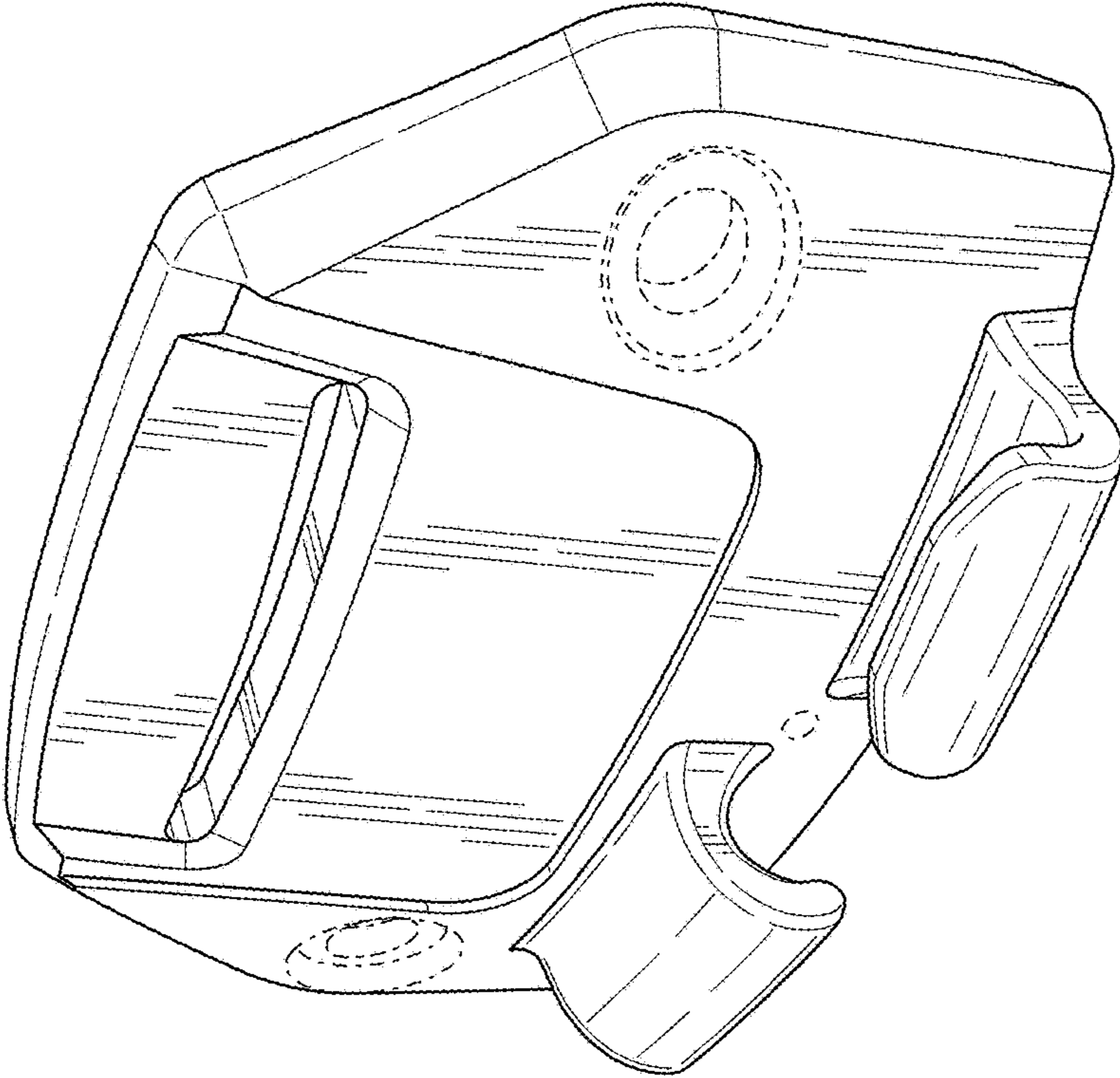


FIG. 8



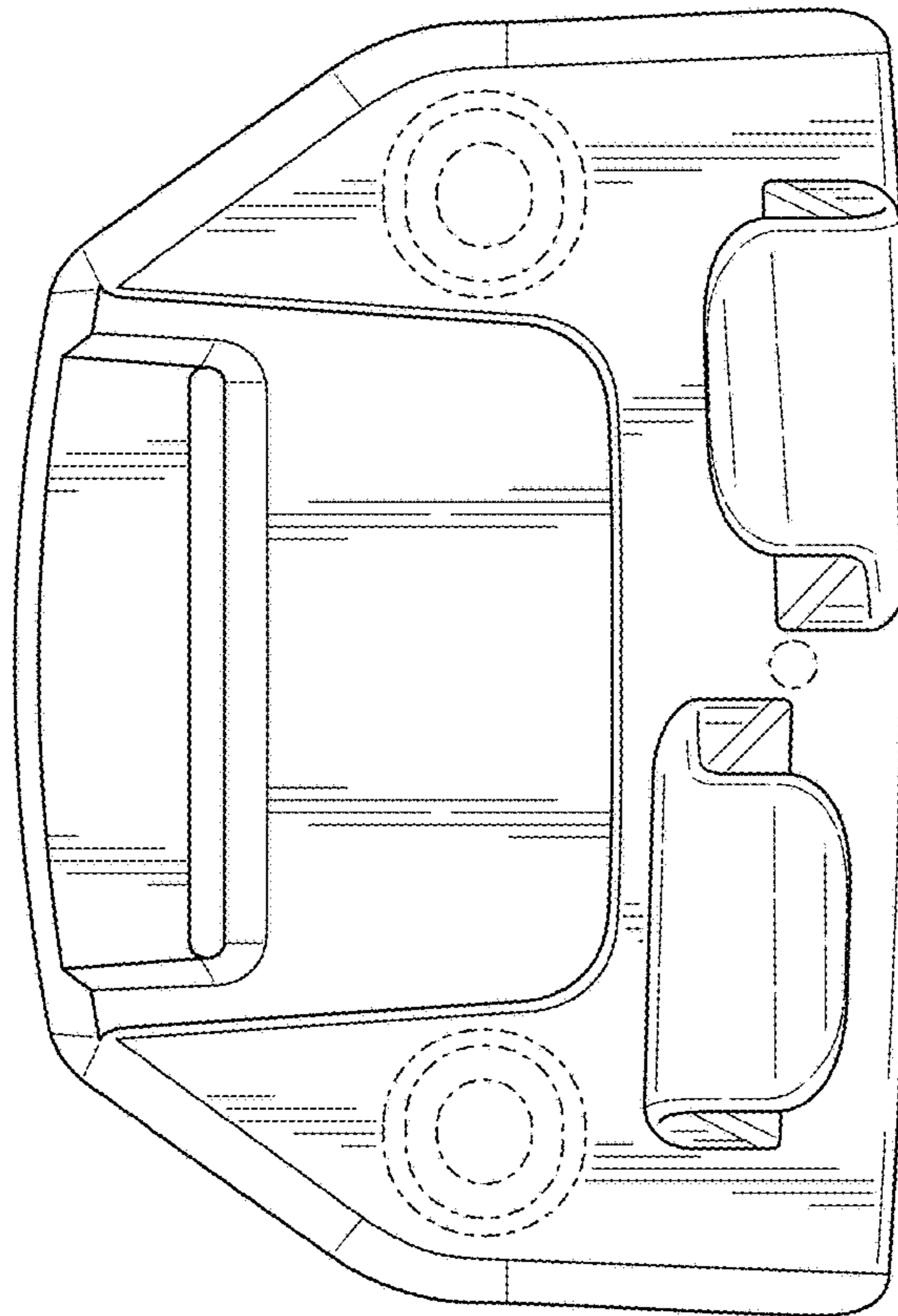


FIG. 9

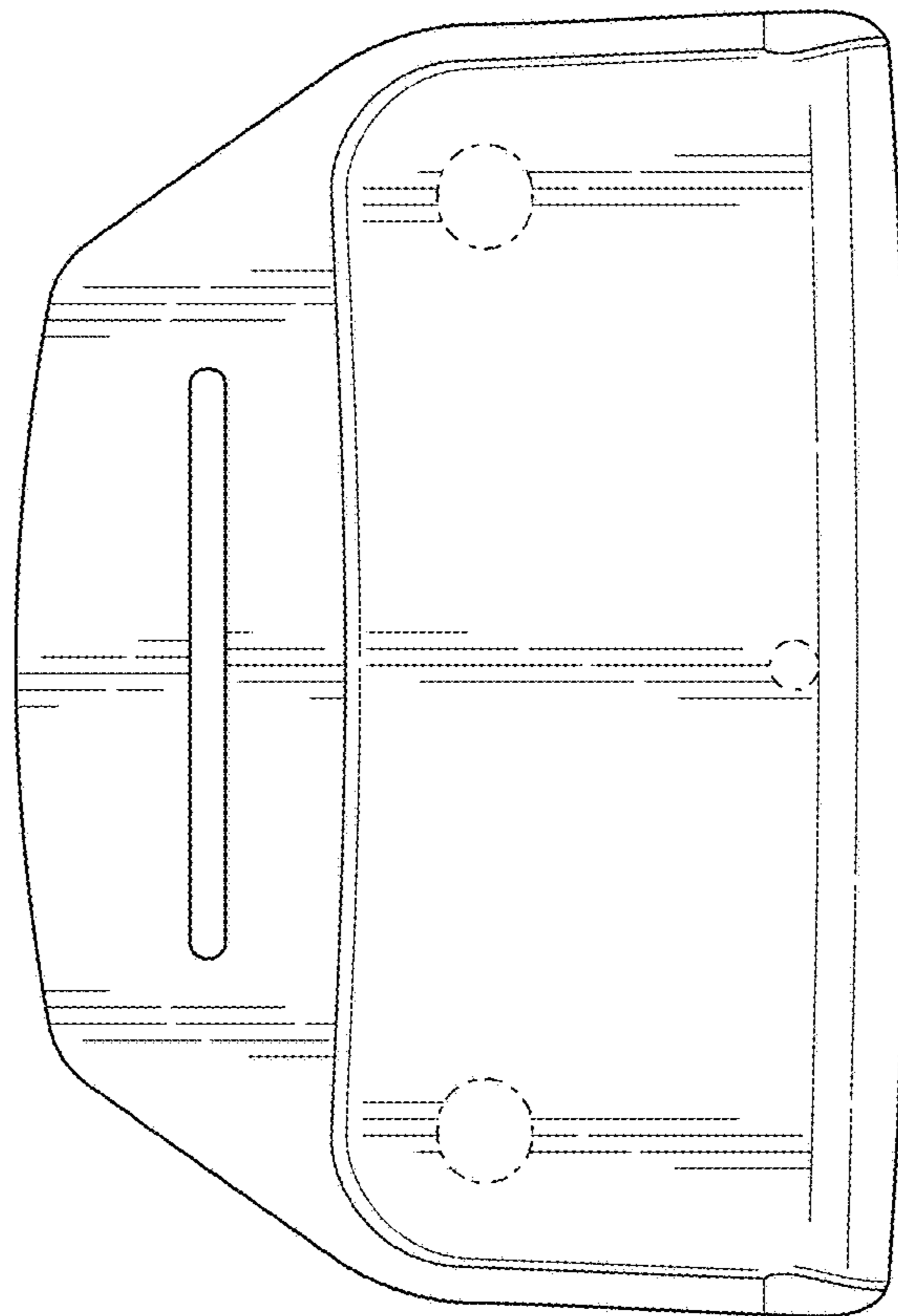


FIG. 10

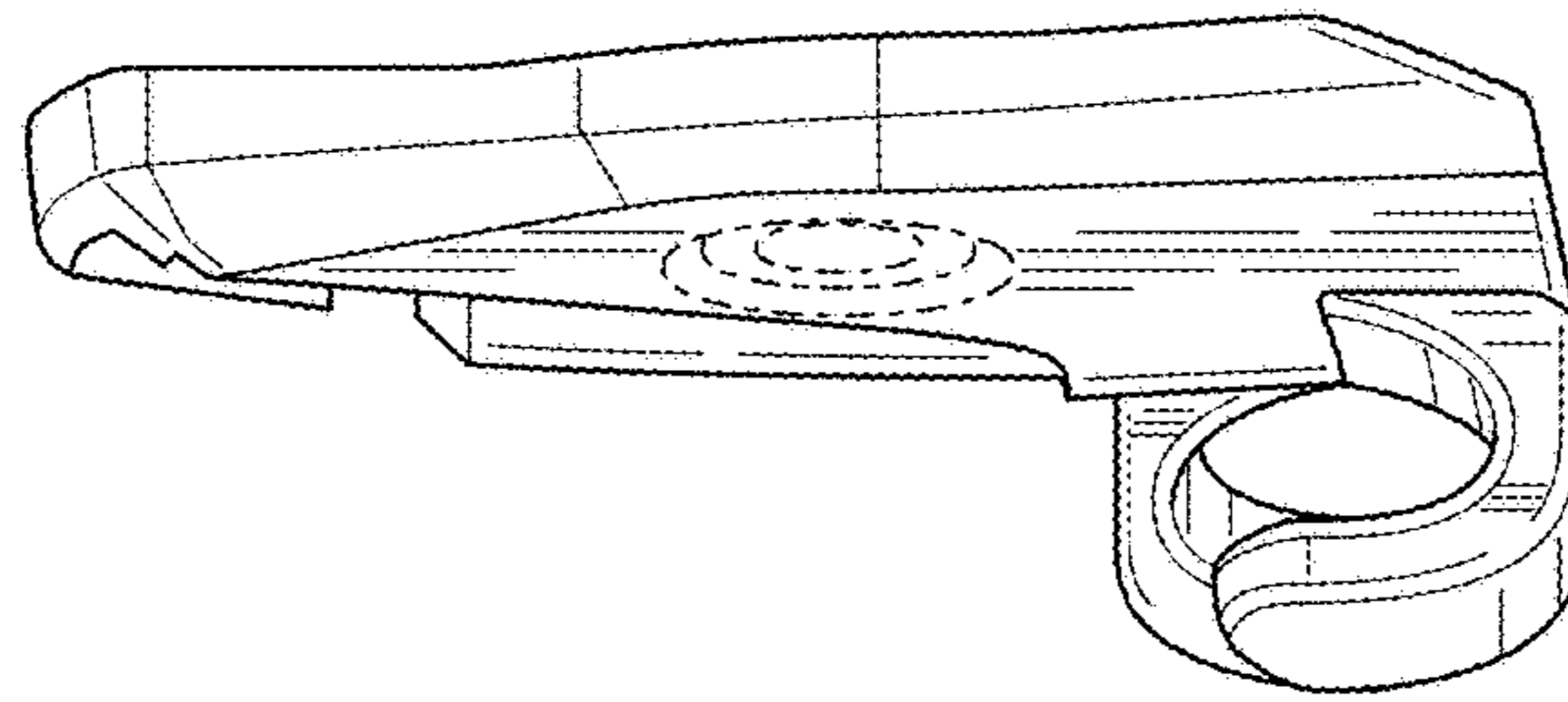


FIG. 12

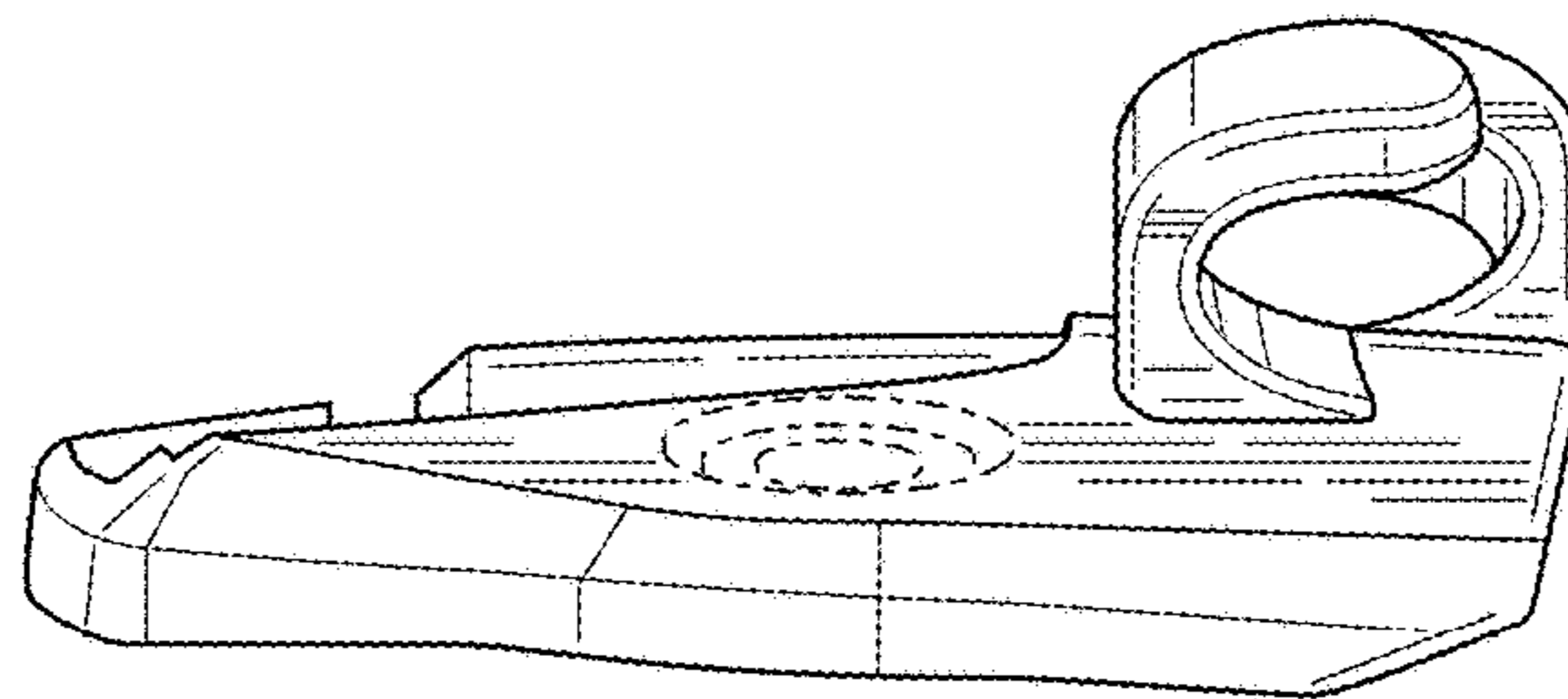


FIG. 11

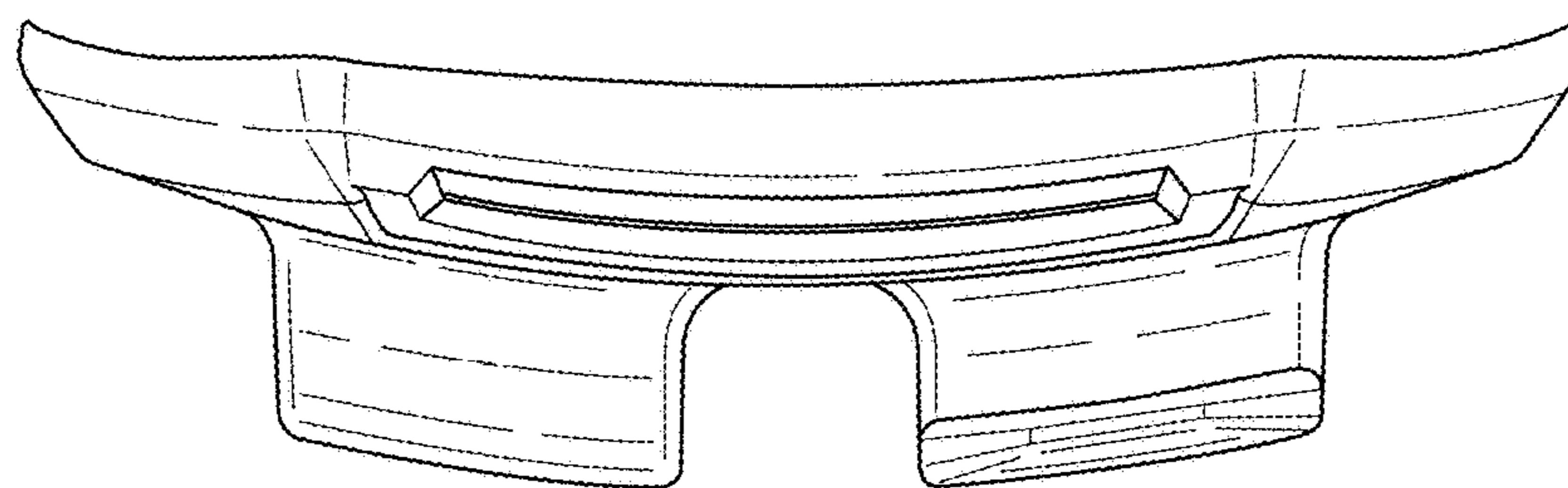


FIG. 13

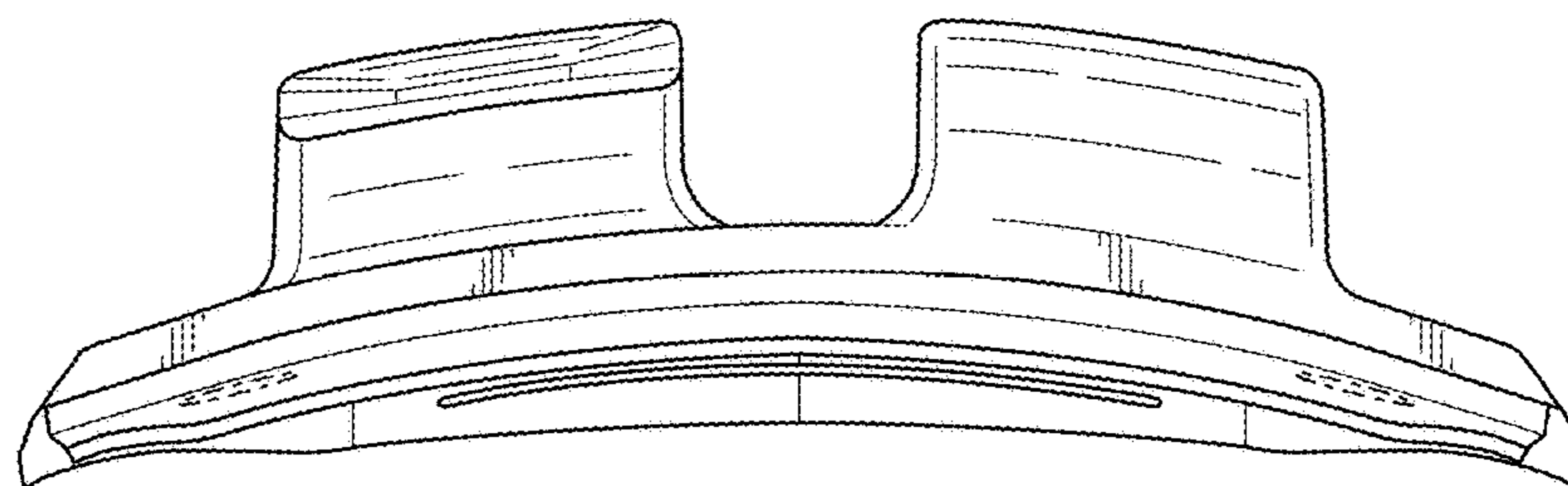


FIG. 14