



US00D844245S

(12) **United States Design Patent**
Wu

(10) **Patent No.:** **US D844,245 S**
(45) **Date of Patent:** **** Mar. 26, 2019**

- (54) **ELECTRIC HAIR CLIPPER**
- (71) Applicant: **NINGBO ICLIPPER ELECTRIC APPLIANCE CO., LTD.**, Ningbo (CN)
- (72) Inventor: **Haoze Wu**, Ningbo (CN)
- (73) Assignee: **NINGBO ICLIPPER ELECTRIC APPLIANCE CO., LTD.**, Ningbo (CN)
- (**) Term: **15 Years**
- (21) Appl. No.: **29/612,669**
- (22) Filed: **Aug. 2, 2017**
- (51) **LOC (11) Cl.** **28-03**
- (52) **U.S. Cl.**
USPC **D28/53**
- (58) **Field of Classification Search**
USPC D28/49–54
CPC . B26B 19/3853–19/386; B26B 19/10–19/107;
B26B 19/00–19/08; B26B 19/20–19/205
See application file for complete search history.

- D571,504 S * 6/2008 Long D28/54
- D622,907 S * 8/2010 Schwer D28/53
- D715,489 S * 10/2014 Aulwes D28/54
- D715,490 S * 10/2014 Aulwes D28/54
- 9,038,276 B2 * 5/2015 Arndt B26B 19/3866
30/208
- D811,660 S * 2/2018 Zachrich D28/54
- 2013/0200823 A1 * 8/2013 Chan H02K 33/16
318/3
- 2017/0305021 A1 * 10/2017 Skuhra B26B 19/3866

* cited by examiner

Primary Examiner — Jennifer Rivard
(74) *Attorney, Agent, or Firm* — W&K IP

(57) **CLAIM**

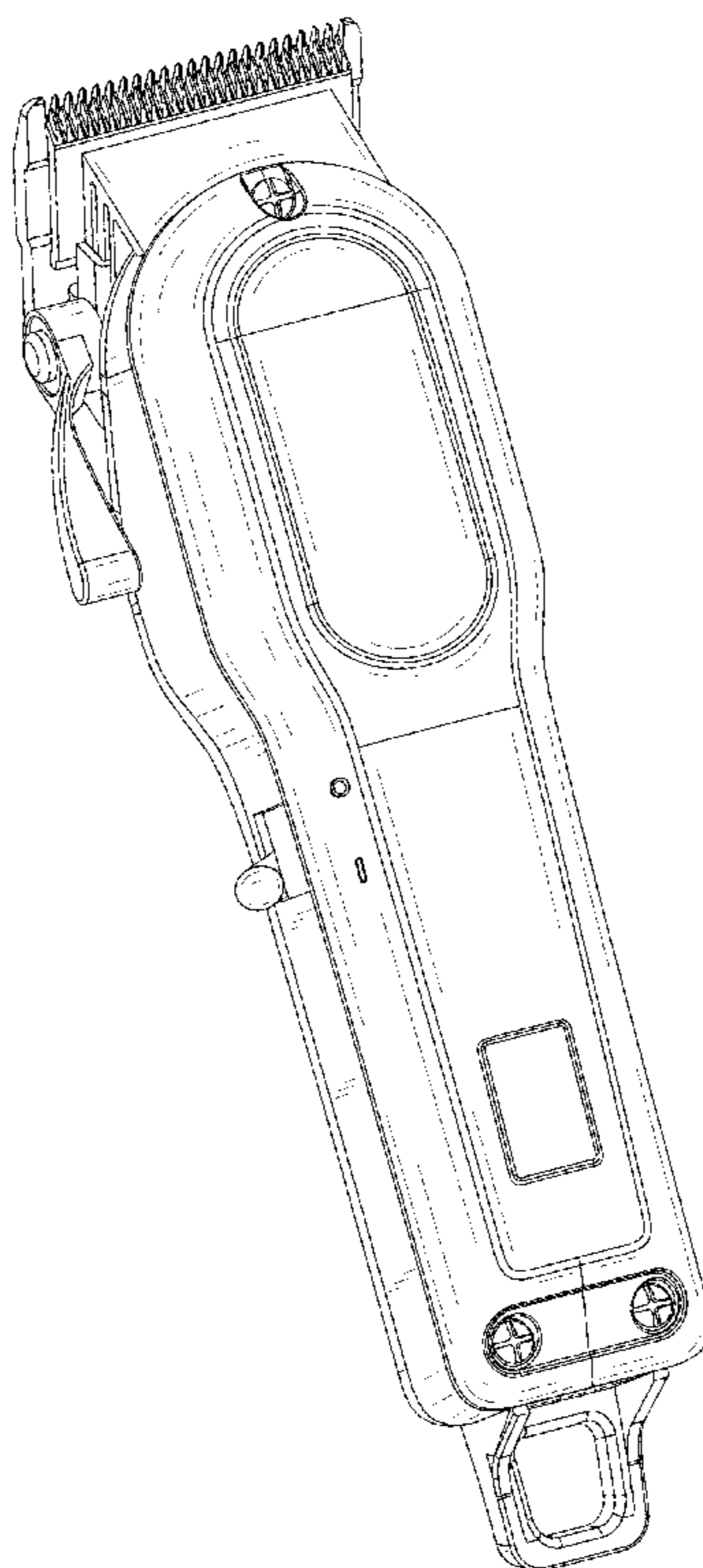
The ornamental design for electric hair clipper, as shown and described.

DESCRIPTION

FIG. 1 is a perspective view showing my design;
FIG. 2 is a front view showing my design;
FIG. 3 is a back view showing my design;
FIG. 4 is a left side view showing my design;
FIG. 5 is a right side view showing my design;
FIG. 6 is a top plan view showing my design; and,
FIG. 7 is a bottom plan view showing my design.
The broken lines illustrate portions of the electric hair clipper and form no part of the claimed design.

1 Claim, 7 Drawing Sheets

- (56) **References Cited**
U.S. PATENT DOCUMENTS
D435,936 S * 1/2001 Long D28/54
D445,541 S * 7/2001 Wursthorn D28/53



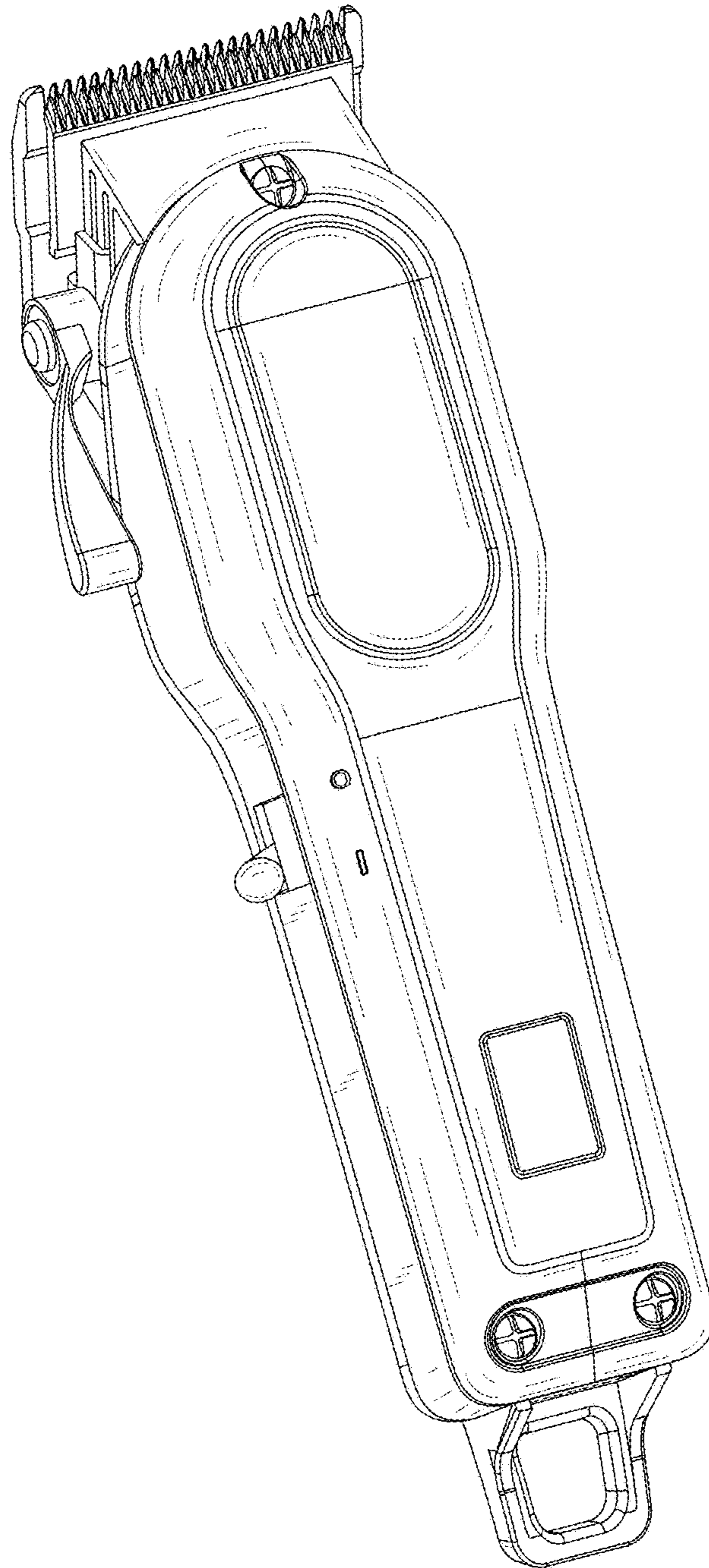


FIG. 1

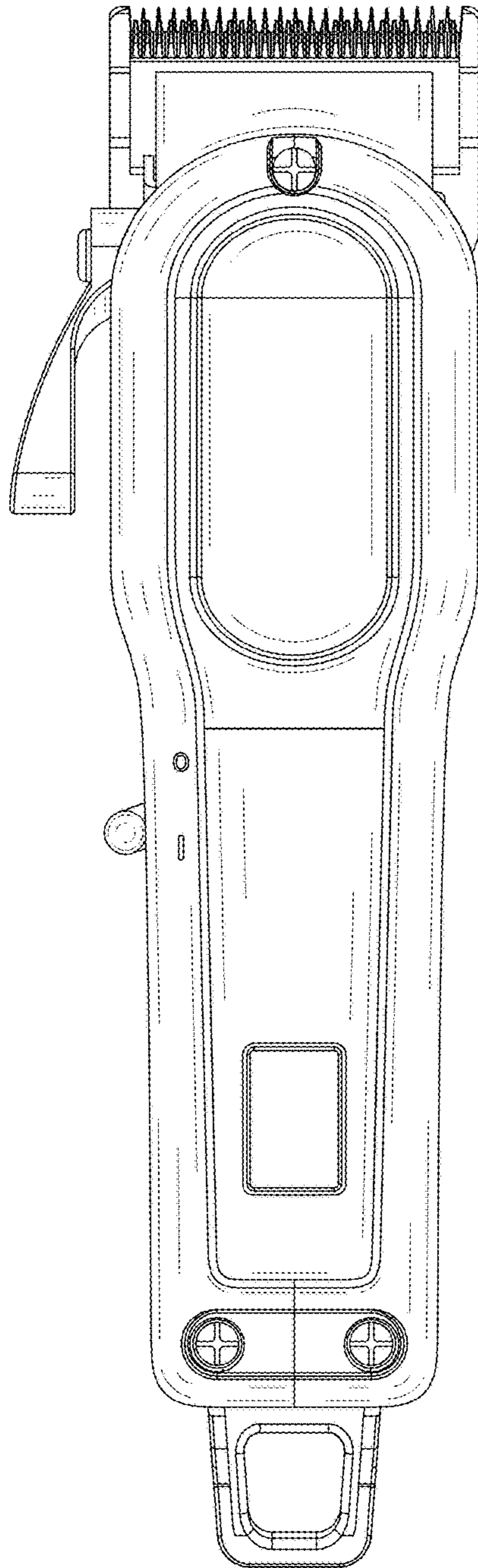


FIG. 2

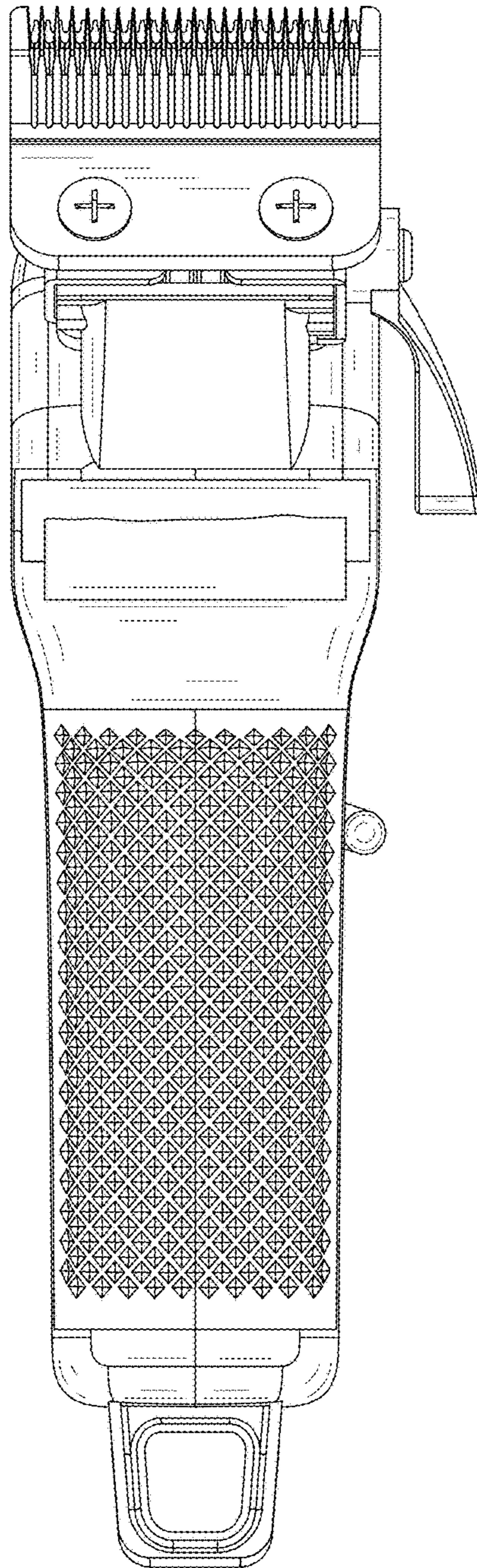


FIG. 3

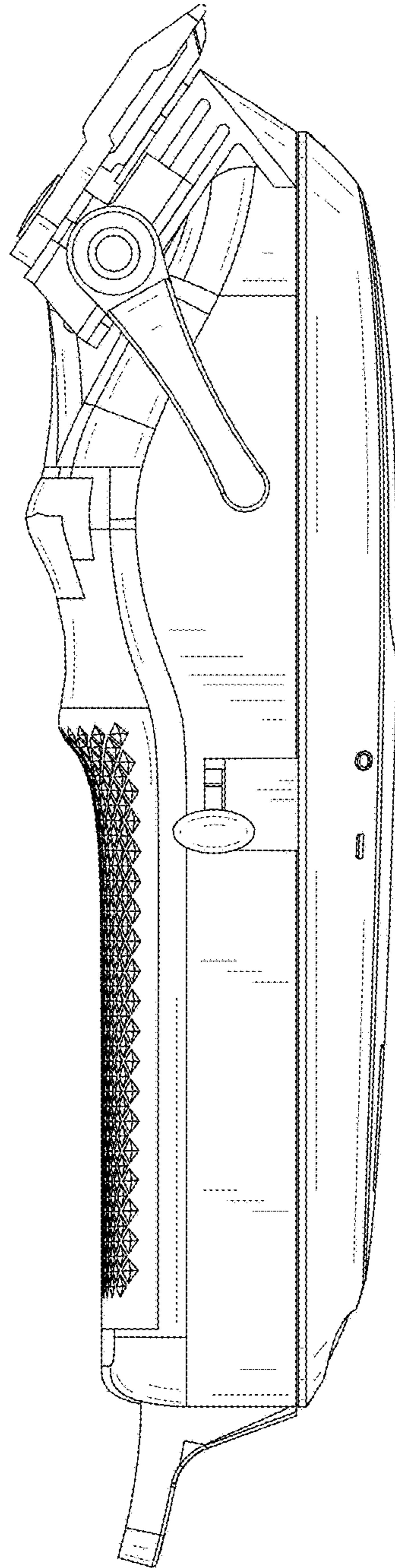


FIG.4

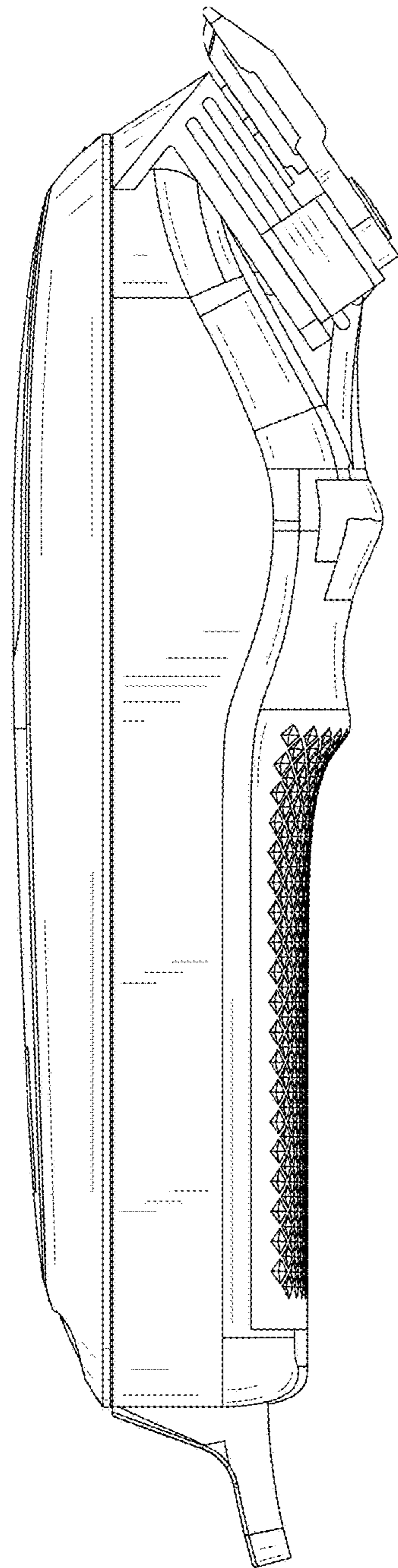


FIG.5

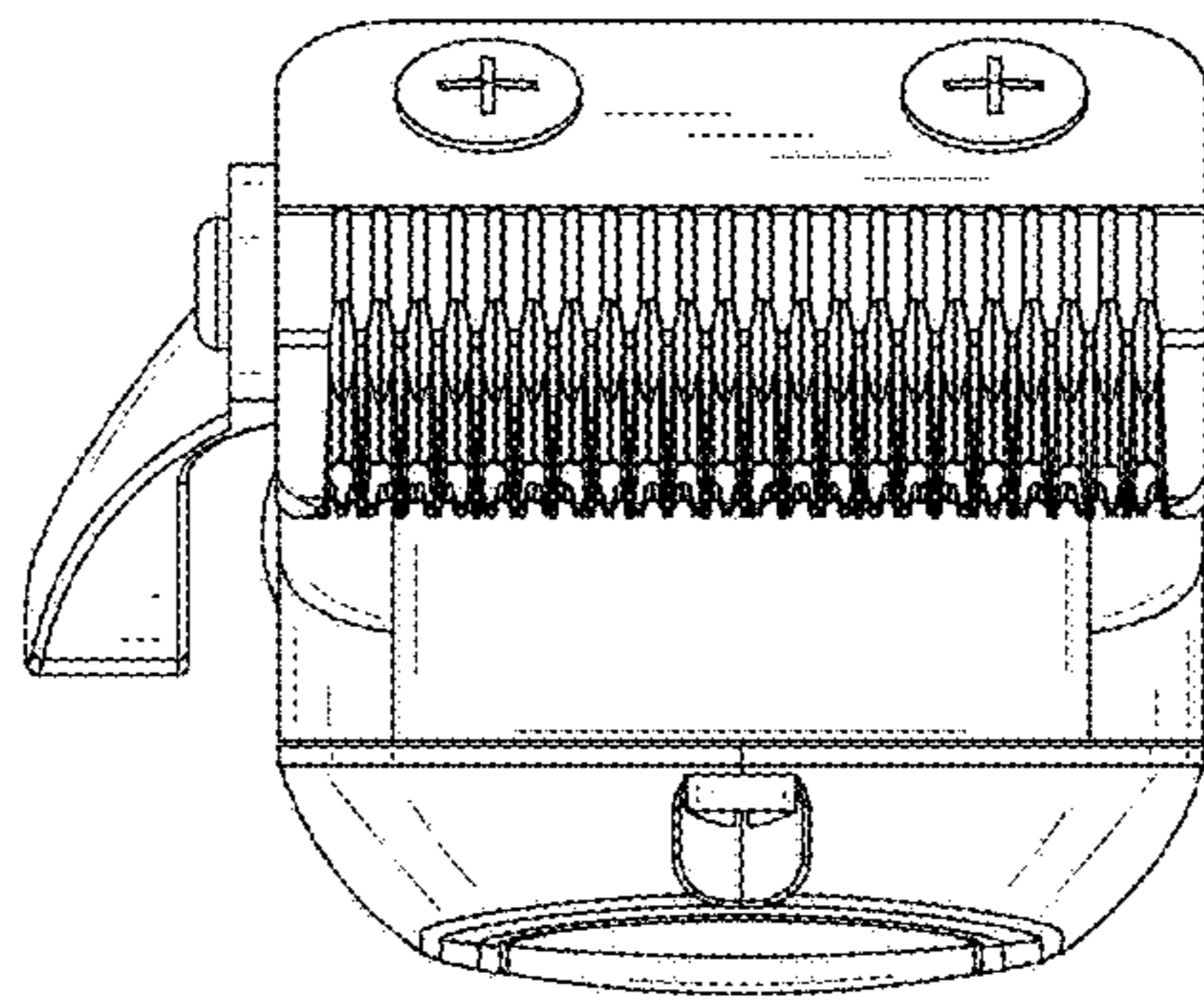


FIG.6

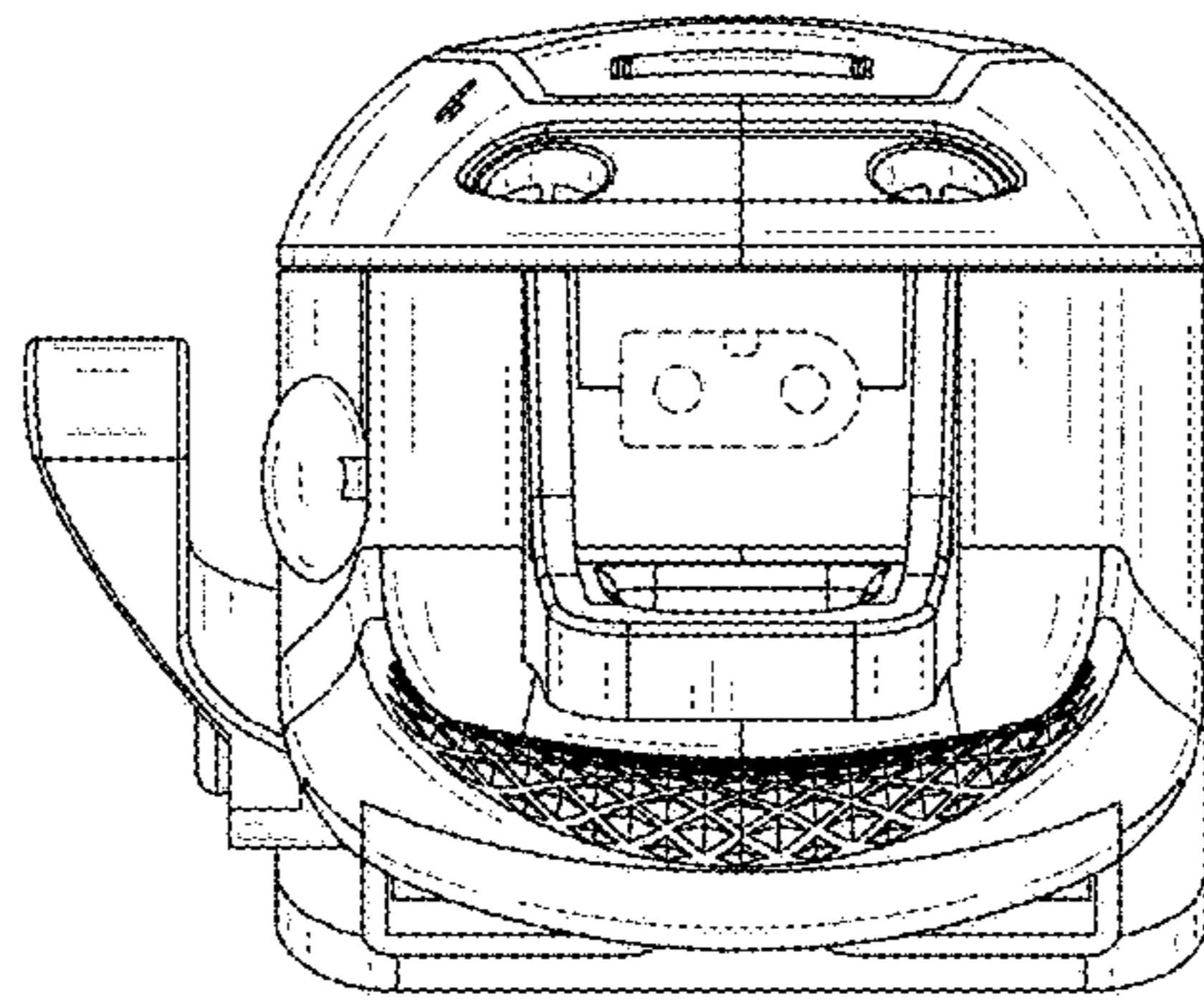


FIG. 7