



US00D844244S

(12) **United States Design Patent** (10) **Patent No.:** **US D844,244 S**
Wu (45) **Date of Patent:** **** Mar. 26, 2019**

(54) **ELECTRIC HAIR CLIPPER**
(71) Applicant: **NINGBO ICLIPPER ELECTRIC APPLIANCE CO., LTD.**, Ningbo (CN)
(72) Inventor: **Haoze Wu**, Ningbo (CN)
(73) Assignee: **NINGBO ICLIPPER ELECTRIC APPLIANCE CO., LTD.**, Ningbo (CN)
(**) Term: **15 Years**
(21) Appl. No.: **29/610,491**
(22) Filed: **Jul. 12, 2017**
(51) **LOC (11) Cl.** **28-03**
(52) **U.S. Cl.**
USPC **D28/53**
(58) **Field of Classification Search**
USPC D28/49-54
CPC . B26B 19/3853-19/386; B26B 19/10-19/107;
B26B 19/00-19/08
See application file for complete search history.

D759,308 S * 6/2016 Reuter D28/53
D760,438 S * 6/2016 Emminger D28/53
D787,746 S * 5/2017 Werner D28/53
2013/0192068 A1* 8/2013 Kammer B26B 19/386
30/43.9
2014/0338199 A1* 11/2014 Erickson B26B 19/06
30/216

OTHER PUBLICATIONS

www.made-in-china.com, iclipper, 1 page, downloaded Jun. 25, 2018.*

* cited by examiner

Primary Examiner — Jennifer Rivard
(74) *Attorney, Agent, or Firm* — W&K IP

(57) **CLAIM**

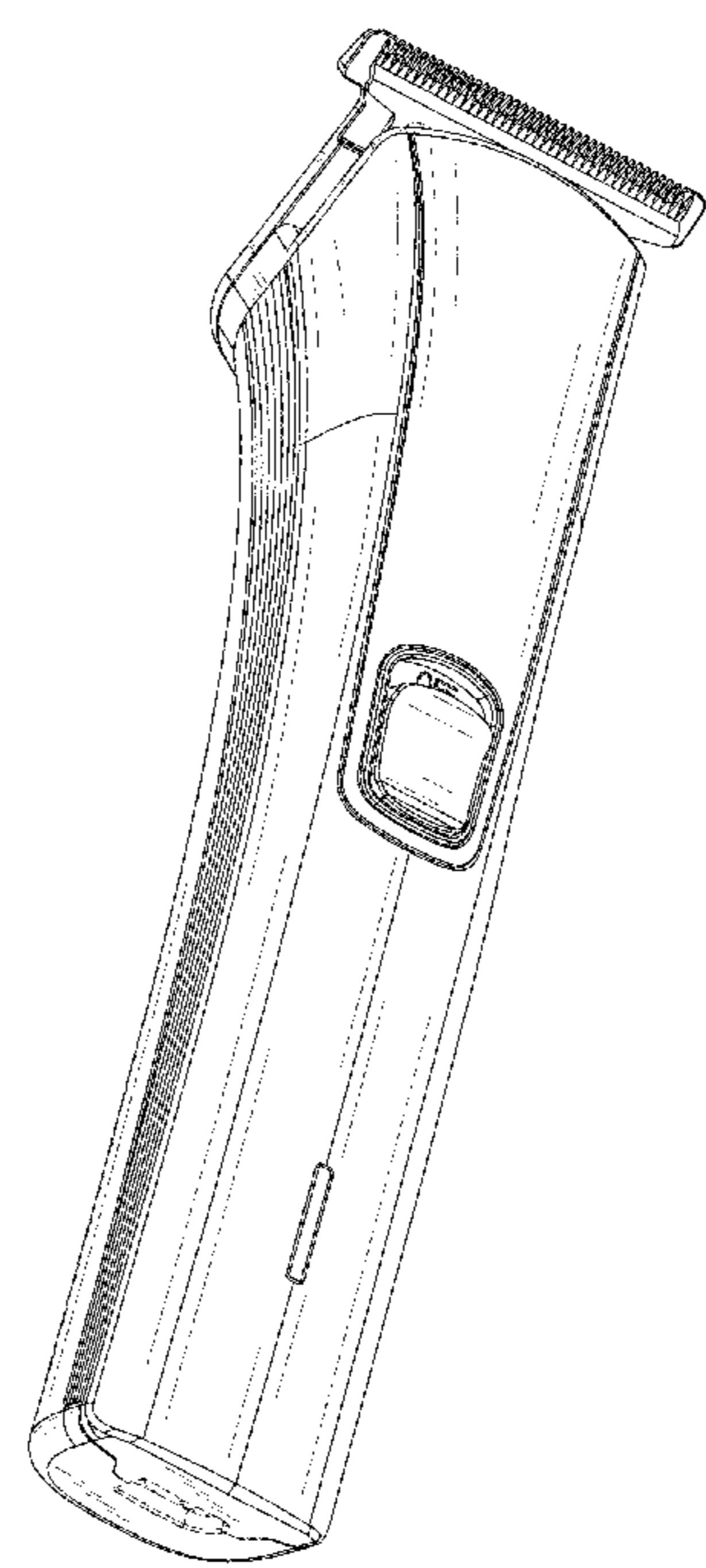
The ornamental design for electric hair clipper, as shown and described.

DESCRIPTION

FIG. 1 is a front view showing my design;
FIG. 2 is a back view showing my design;
FIG. 3 is a left side view showing my design;
FIG. 4 is a right side view showing my design;
FIG. 5 is a top plan view showing my design;
FIG. 6 is a bottom plan view showing my design; and,
FIG. 7 is a perspective view showing my design.
The broken lines illustrate portions of the electric hair clipper and form no part of the claimed design.

1 Claim, 6 Drawing Sheets

(56) **References Cited**
U.S. PATENT DOCUMENTS
D534,689 S * 1/2007 Gross D28/53
D652,170 S * 1/2012 Snow D28/54
D679,447 S * 4/2013 Colle D28/53
D720,888 S * 1/2015 Colle D28/53
D721,205 S * 1/2015 Colle D28/53
D749,786 S * 2/2016 Werner D28/53
D751,760 S * 3/2016 Zachrich D28/53



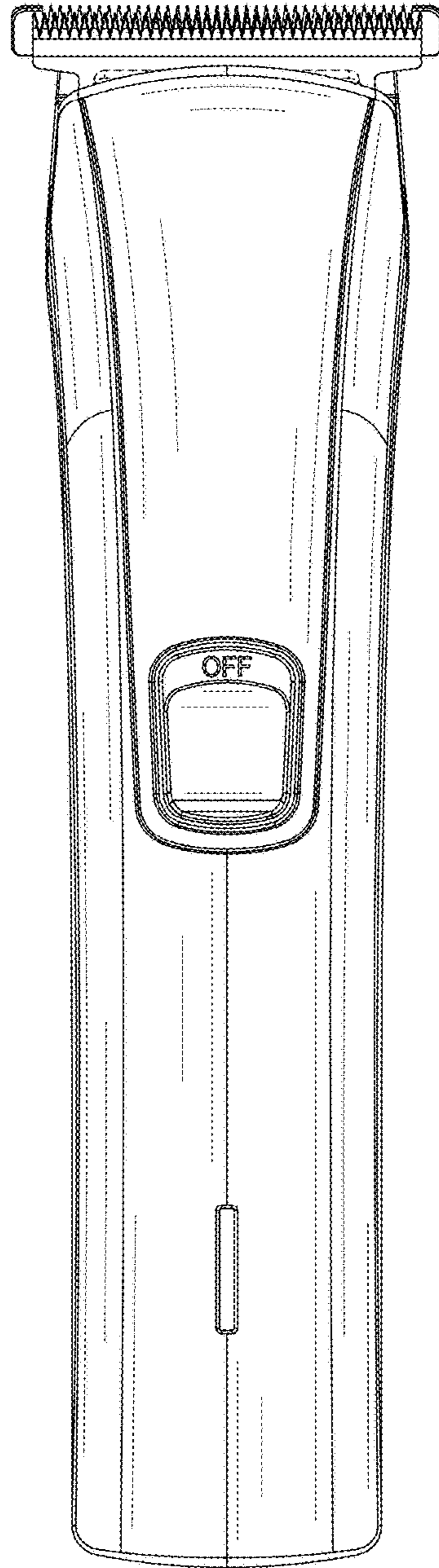


FIG.1

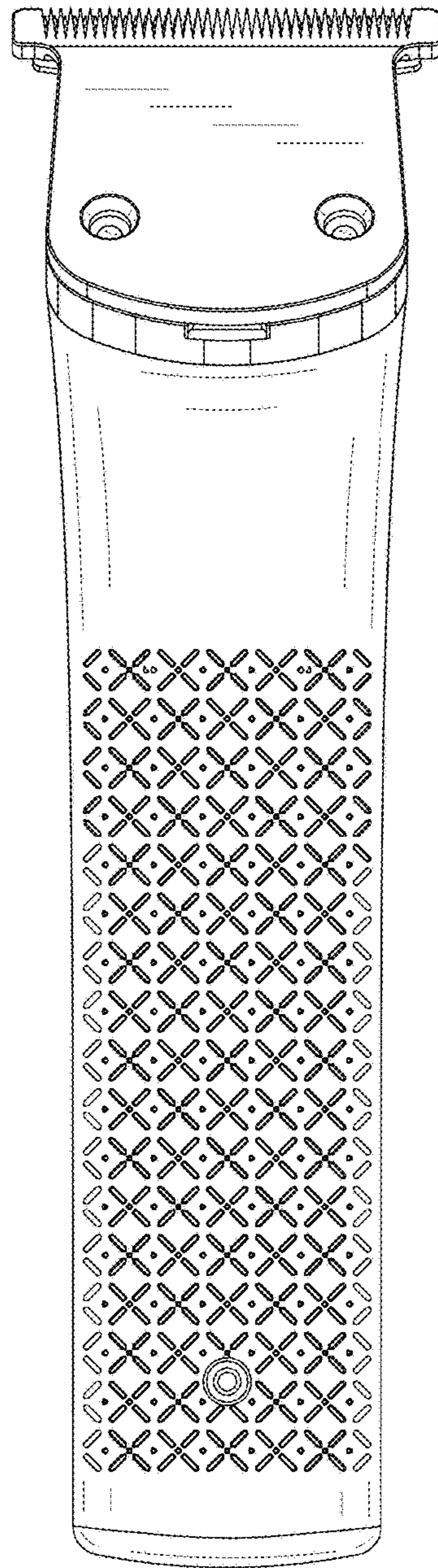


FIG.2

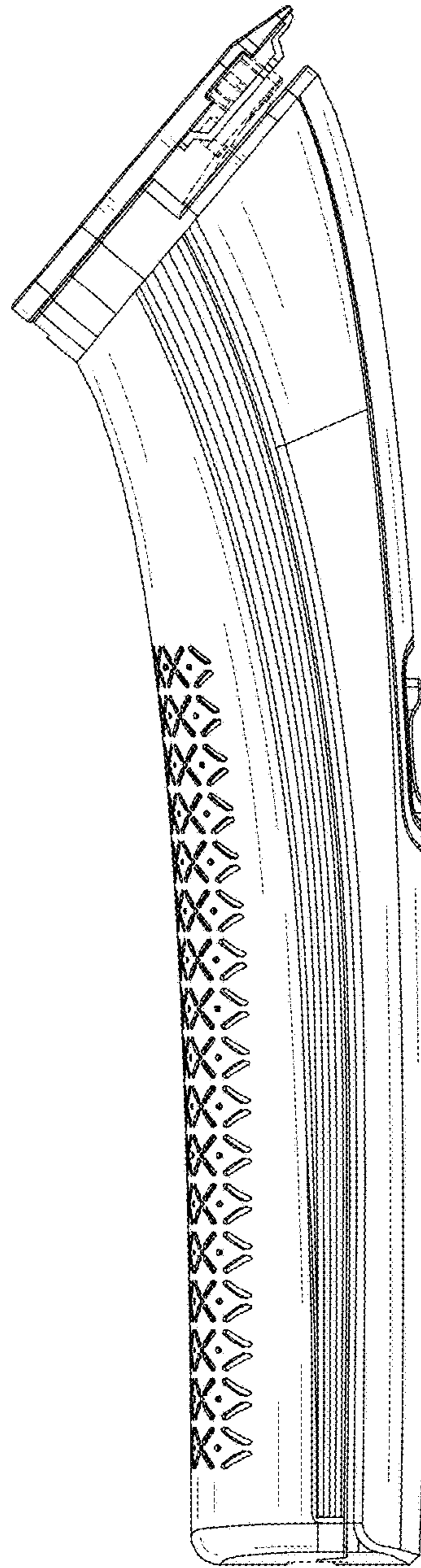


FIG.3

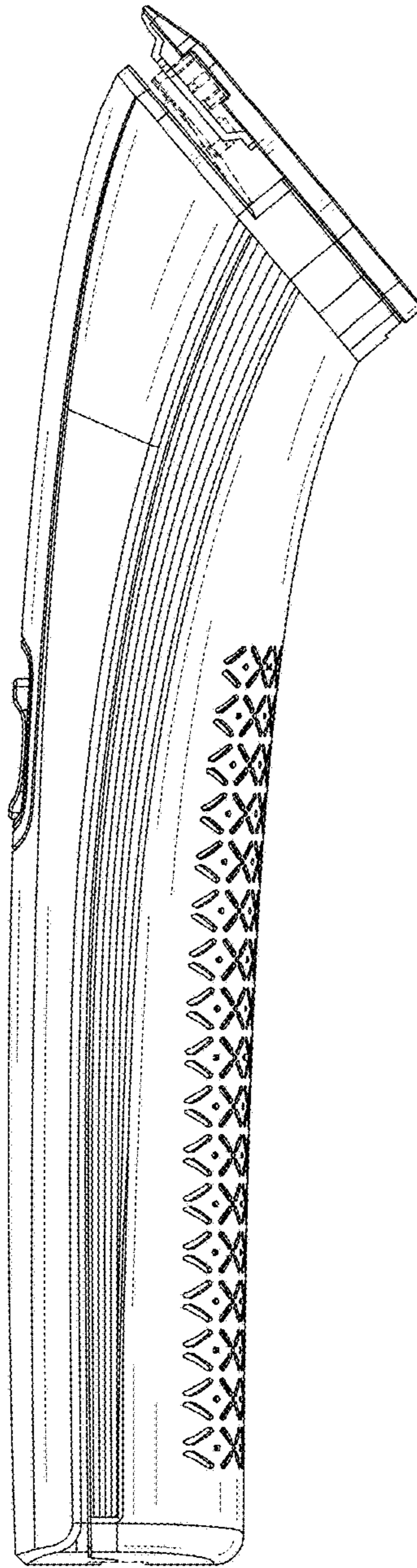


FIG. 4

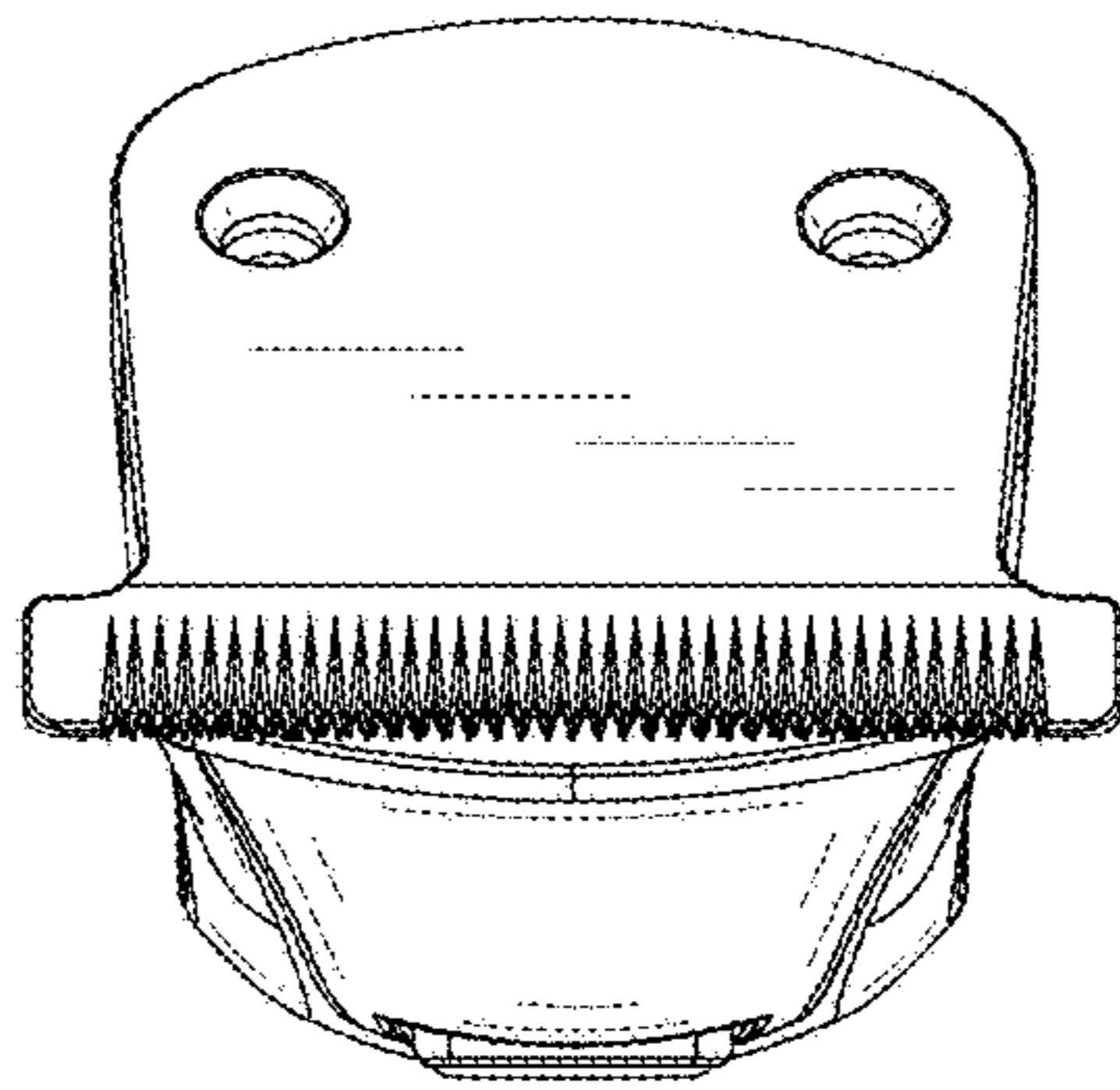


FIG.5

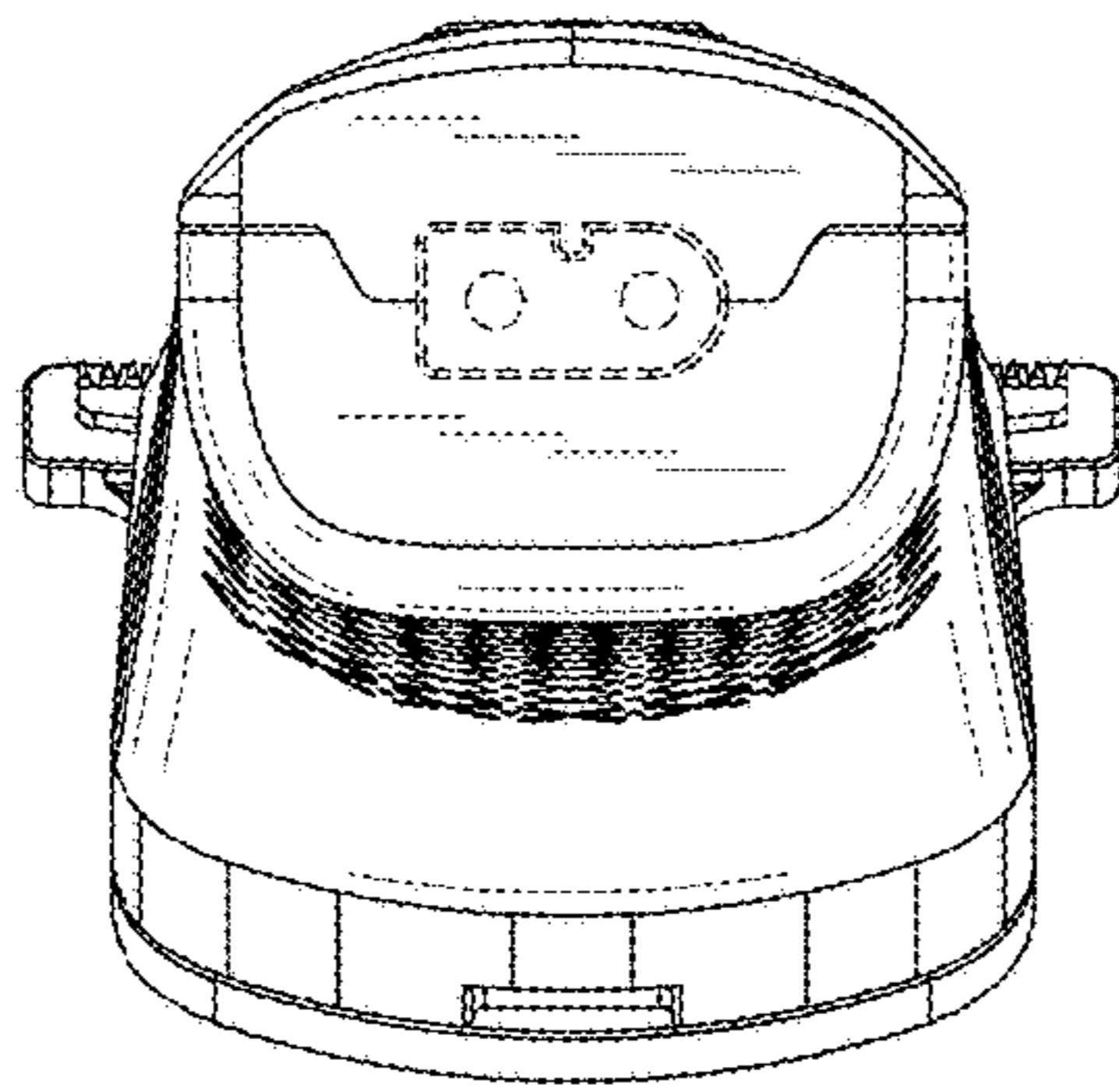


FIG.6

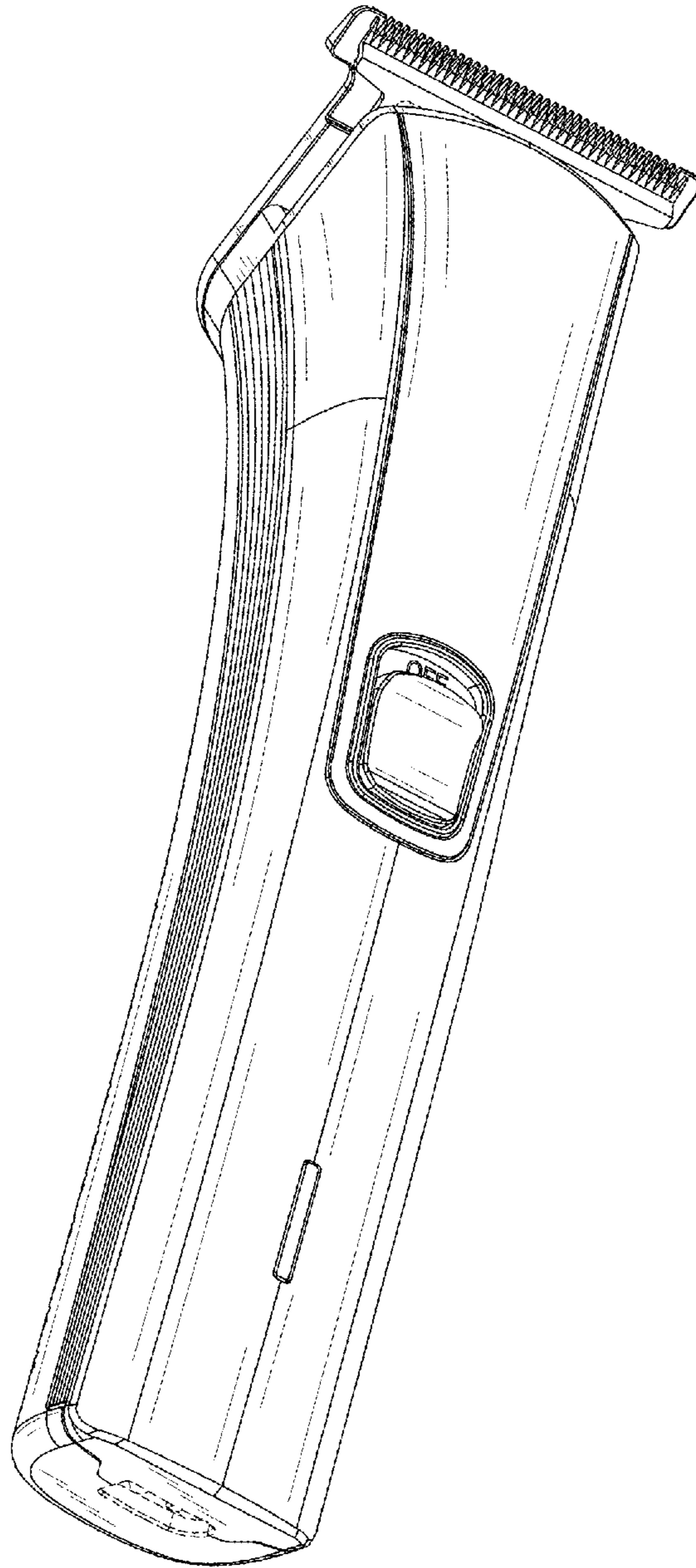


FIG.7