



US00D844243S

(12) **United States Design Patent**
Chen

(10) **Patent No.:** **US D844,243 S**
(45) **Date of Patent:** **** Mar. 26, 2019**

(54) **ELECTRIC SHAVER**

(71) Applicant: **Minghua Chen**, Guangdong (CN)

(72) Inventor: **Minghua Chen**, Guangdong (CN)

(73) Assignee: **Shenzhen Ouku E-commerce Co., Ltd**, Shenzhen, Guangdong (CN)

(**) Term: **15 Years**

(21) Appl. No.: **29/633,398**

(22) Filed: **Jan. 13, 2018**

(51) **LOC (11) Cl.** **28-03**

(52) **U.S. Cl.**
USPC **D28/50**

(58) **Field of Classification Search**
USPC D28/44, 44.1, 49-54
CPC B26B 19/00-19/107; B26B 19/12; B26B 19/14-19/148; B26B 19/16-19/18; B26B 19/20-19/265; B26B 19/28-19/36; B26B 19/38-19/46

See application file for complete search history.

(56) **References Cited**

U.S. PATENT DOCUMENTS

D389,273 S * 1/1998 Bone B26B 19/04 D28/50

D593,252 S * 5/2009 Masuda D28/50

D698,491 S * 1/2014 Ellison D28/50

8,857,063 B2 * 10/2014 Koike B26B 19/145 30/43.4

D758,015 S * 5/2016 Prat-Pfister D28/50

D812,301 S * 3/2018 Yan D28/50

D819,274 S * 5/2018 Yan D28/50

9,993,929 B2 * 6/2018 Van Der Vlis B26B 19/044

D823,542 S * 7/2018 Yan B26B 19/14 D28/50

D824,103 S * 7/2018 Yan B26B 19/145 D28/50

D824,595 S * 7/2018 Yan B26B 19/384 D28/50

2006/0150420 A1 * 7/2006 Sinnema B26B 19/04 30/43.6

2006/0162166 A1 * 7/2006 Van Der Meer B26B 19/14 30/34.2

2018/0071927 A1 * 3/2018 Kleine Doepke B26B 19/384

* cited by examiner

Primary Examiner — Jennifer Rivard

(57) **CLAIM**

I claim the ornamental design for an electric shaver, as shown and described.

DESCRIPTION

FIG. 1 is a perspective view of an electric shaver showing my new design;

FIG. 2 is a front elevational view thereof;

FIG. 3 is a rear elevational view thereof;

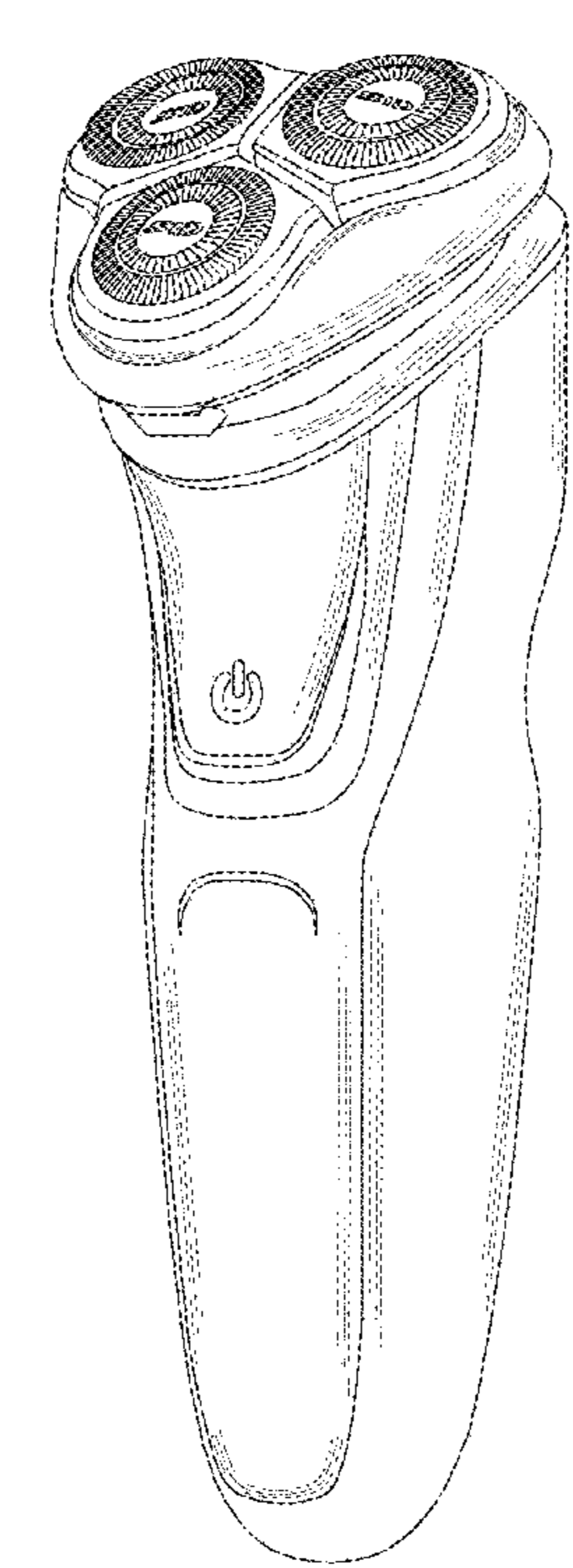
FIG. 4 is a left side elevational view thereof;

FIG. 5 is a right side elevational view thereof;

FIG. 6 is a top plan view thereof; and,

FIG. 7 is a bottom plan view thereof.

1 Claim, 7 Drawing Sheets



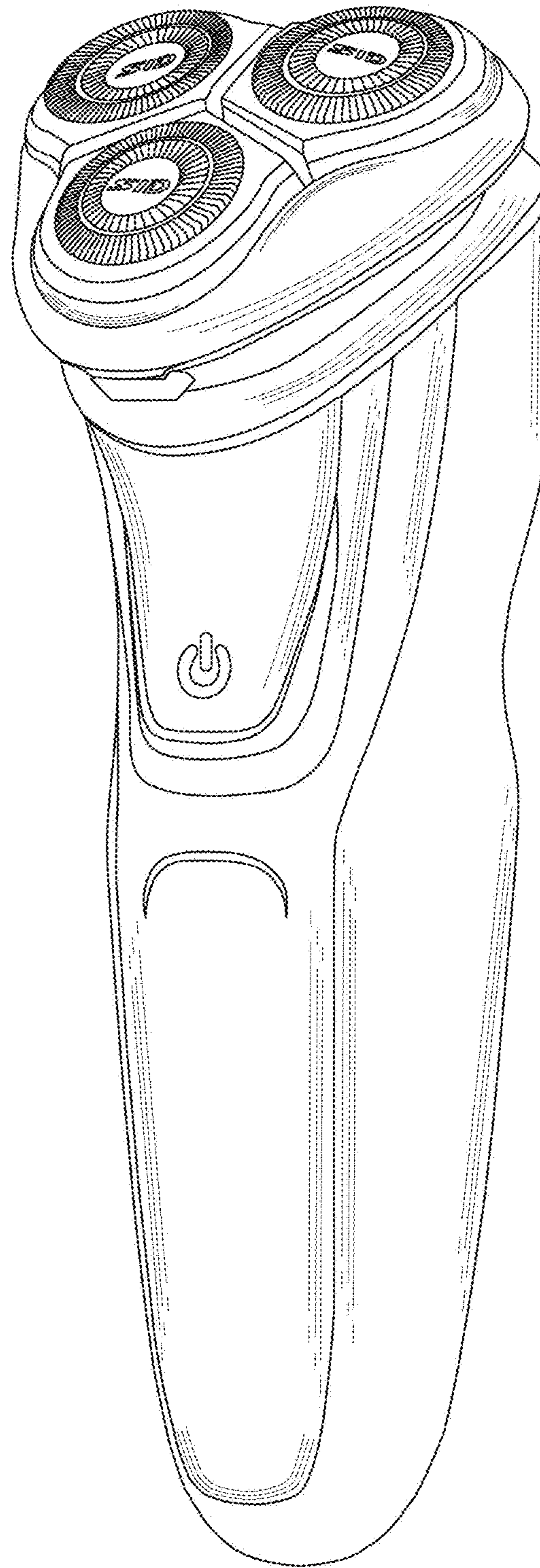


FIG. 1

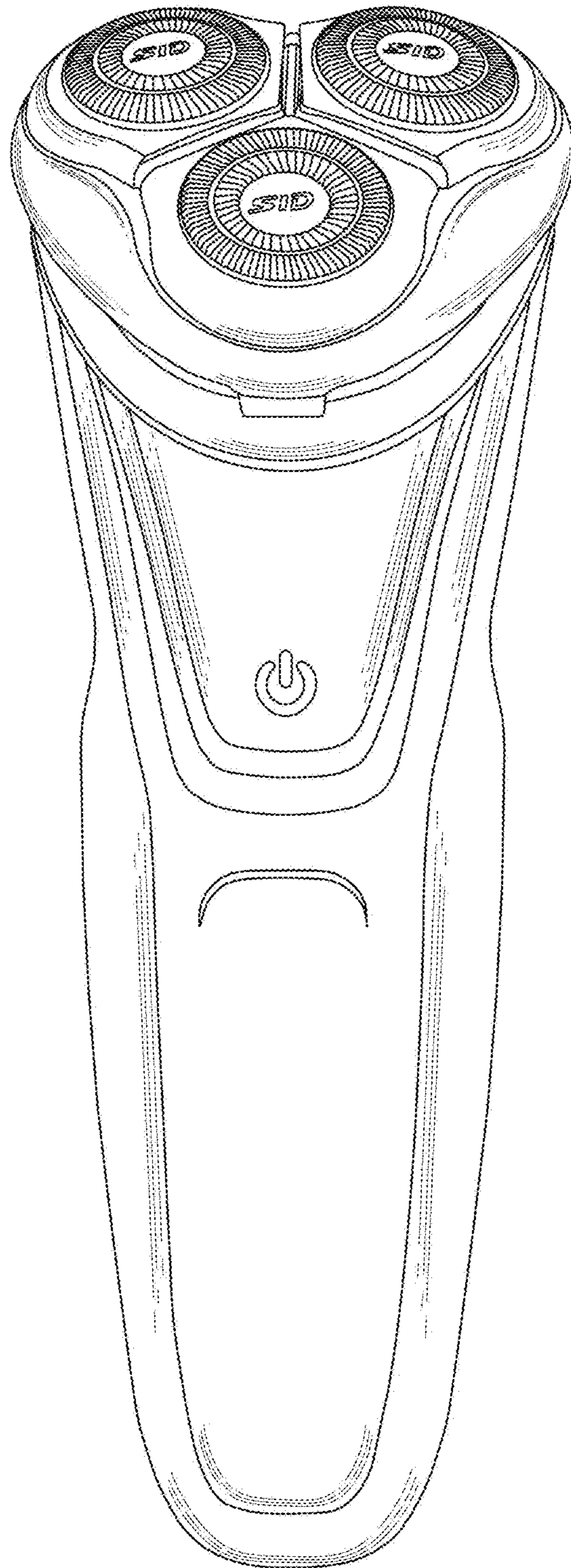


FIG.2

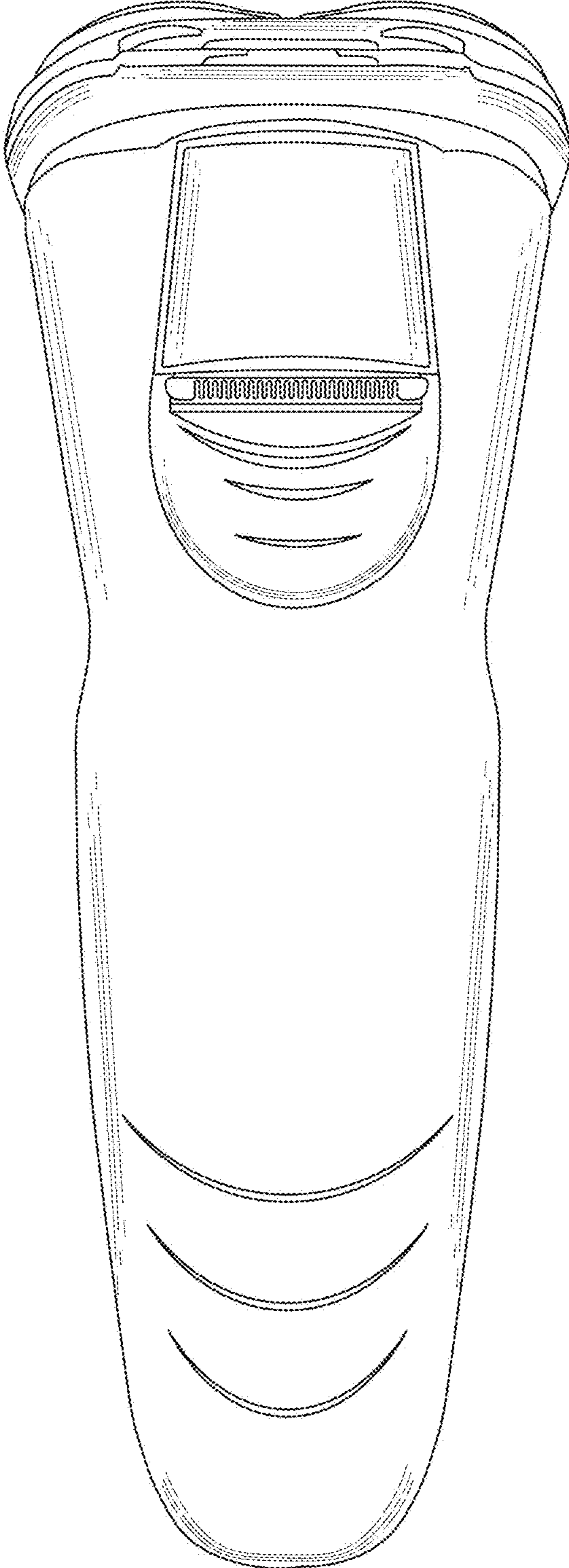


FIG.3

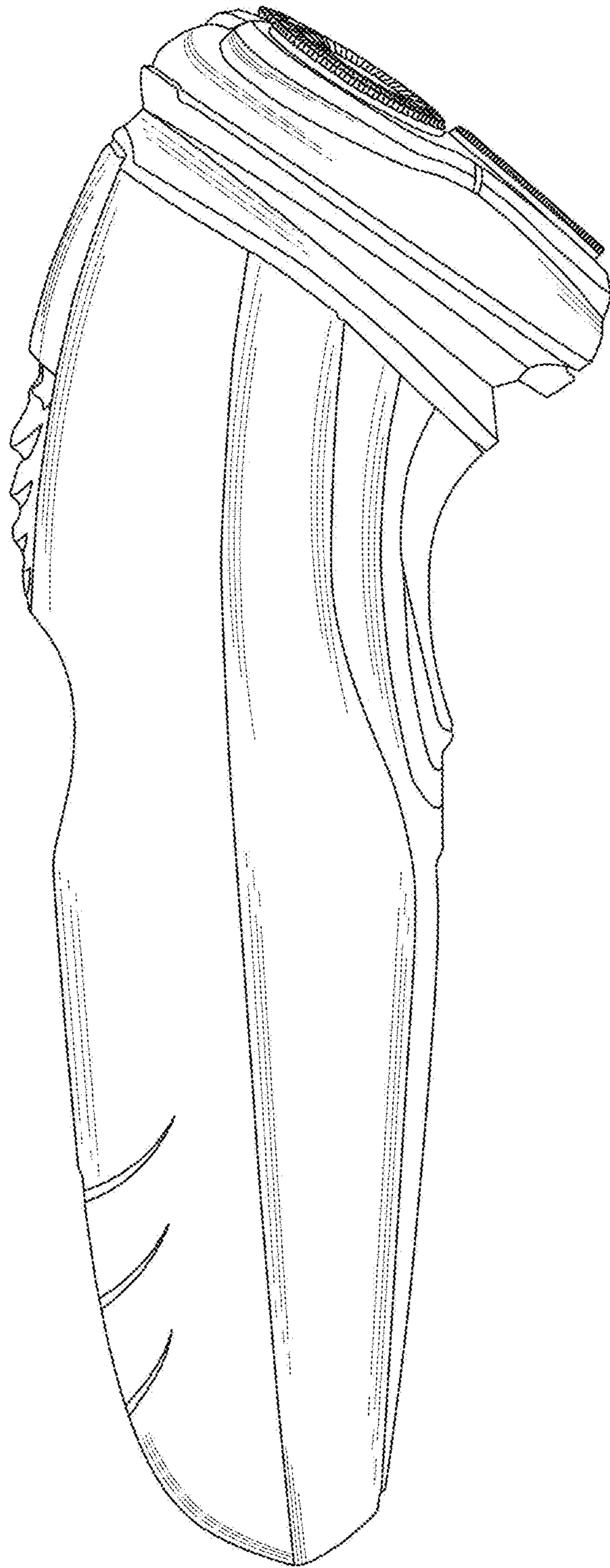


FIG.4

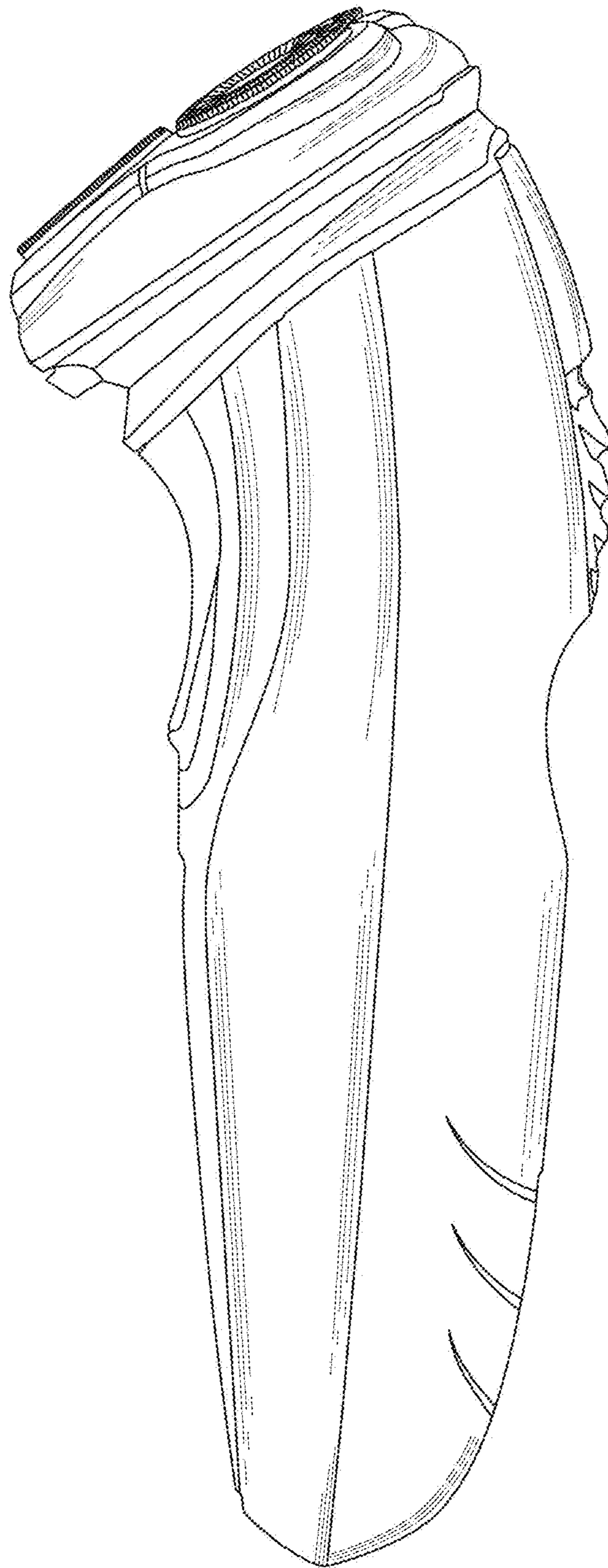


FIG.5

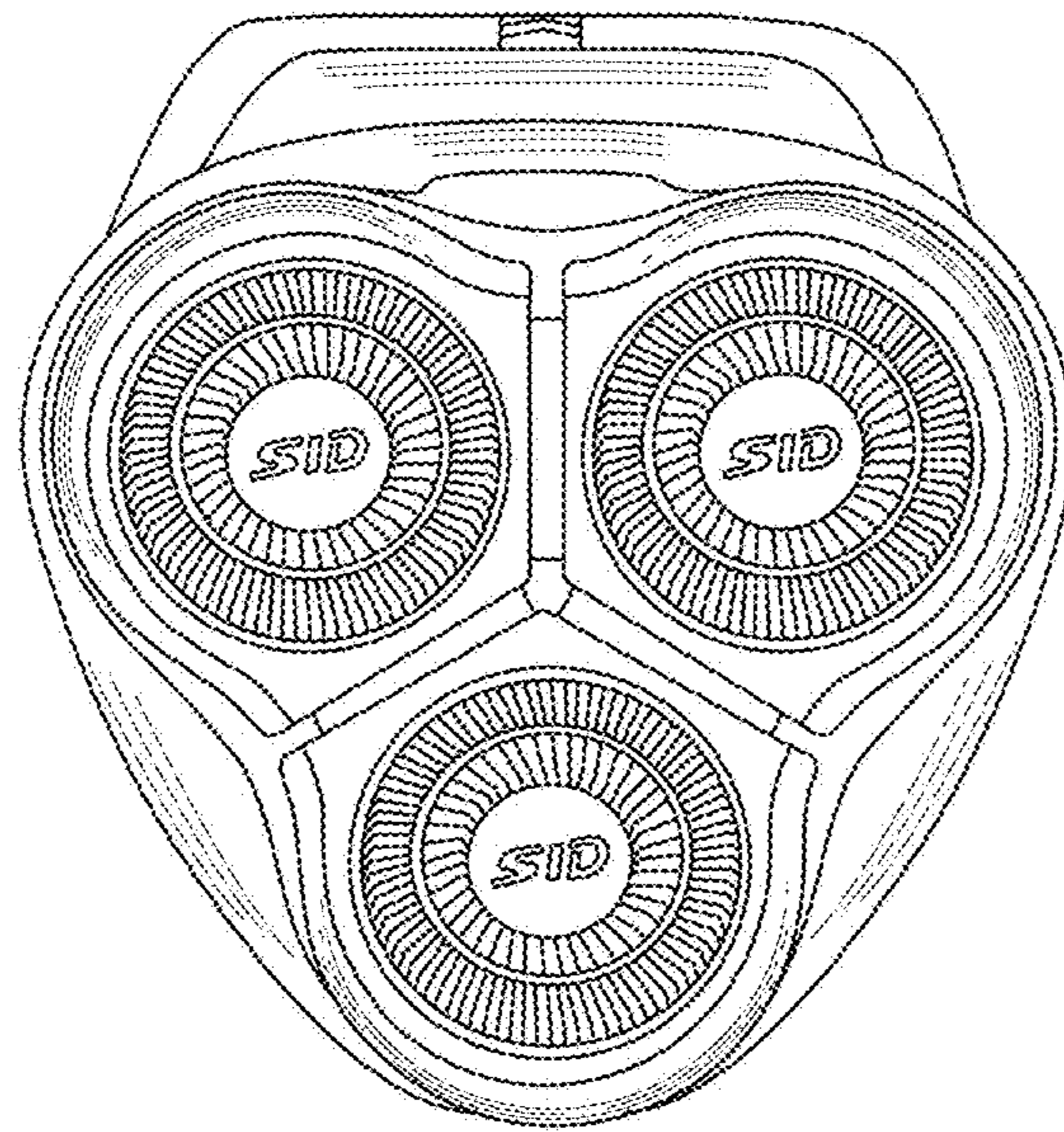


FIG.6

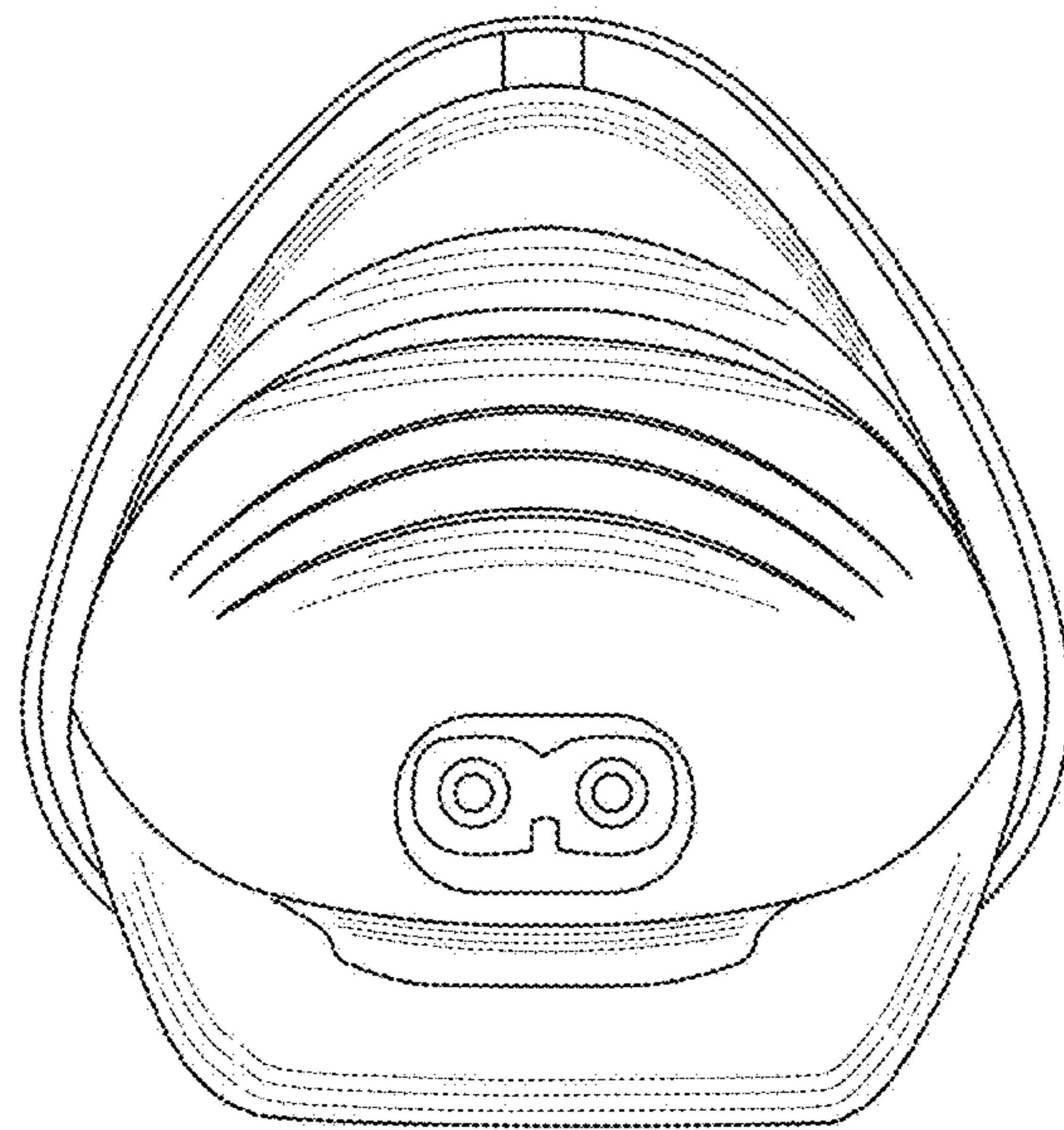


FIG.7