



US00D844242S

(12) **United States Design Patent**  
**Yan et al.**

(10) **Patent No.:** **US D844,242 S**  
(45) **Date of Patent:** **\*\* Mar. 26, 2019**

(54) **RAZOR**

(71) Applicant: **Guangdong Roman Technology Co., Ltd.**, Dongguan (CN)

(72) Inventors: **Youchun Yan**, Dongguan (CN); **Guang Lu**, Dongguan (CN)

(73) Assignee: **Guangdong Roman Technology Co., Ltd.**, Dongguan (CN)

(\*\*) Term: **15 Years**

(21) Appl. No.: **29/628,821**

(22) Filed: **Dec. 7, 2017**

(30) **Foreign Application Priority Data**

Aug. 22, 2017 (CN) ..... 2017 3 0388975

(51) **LOC (11) Cl.** ..... **28-03**

(52) **U.S. Cl.**  
USPC ..... **D28/50**

(58) **Field of Classification Search**  
USPC ..... D28/44, 44.1, 49-54  
CPC ..... B26B 19/00-19/107; B26B 19/12; B26B 19/14-19/148; B26B 19/16-19/18; B26B 19/20-19/265; B26B 19/28-19/36; B26B 19/38-19/46

See application file for complete search history.

(56) **References Cited**

U.S. PATENT DOCUMENTS

D546,001 S \* 7/2007 McLachlan ..... D28/50  
9,174,350 B2 \* 11/2015 Park ..... B26B 19/14  
D808,077 S \* 1/2018 Boulanger ..... D28/50  
D824,104 S \* 7/2018 Boulanger ..... D28/51  
2017/0203450 A1 \* 7/2017 Hitson ..... B26B 19/24

\* cited by examiner

*Primary Examiner* — Jennifer Rivard

(74) *Attorney, Agent, or Firm* — Wang Law Firm, Inc.

(57) **CLAIM**

The ornamental design for a razor, as shown and described.

**DESCRIPTION**

FIG. 1 is a perspective view of the razor showing my new design;

FIG. 2 is a front elevation view thereof;

FIG. 3 is a rear elevation view thereof;

FIG. 4 is a left side elevation view thereof;

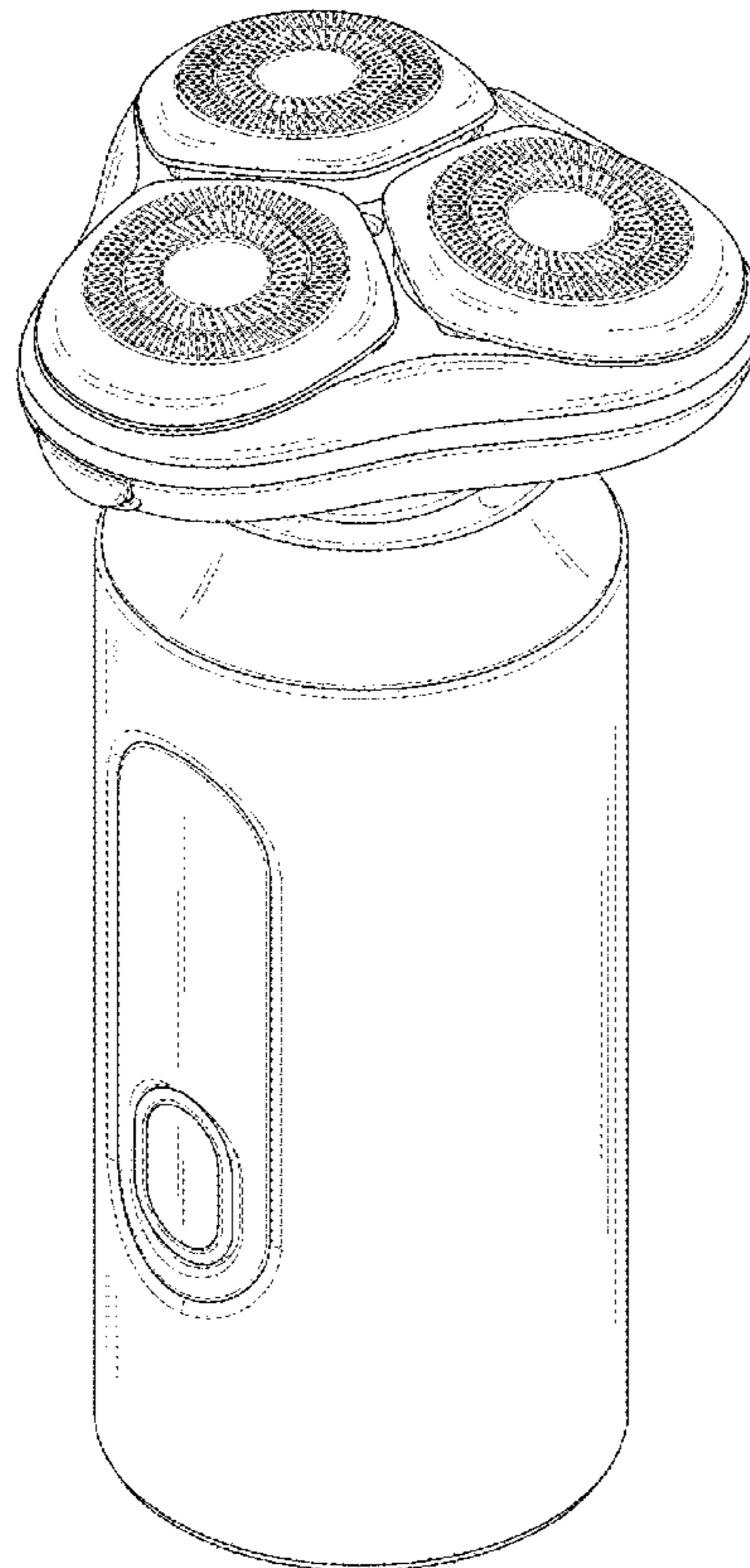
FIG. 5 is a right side elevation view thereof;

FIG. 6 is a top plan view thereof; and,

FIG. 7 is a bottom plan view thereof.

The broken lines that are shown in FIG. 7 illustrate a portion of the razor and form no part of the claimed design.

**1 Claim, 7 Drawing Sheets**



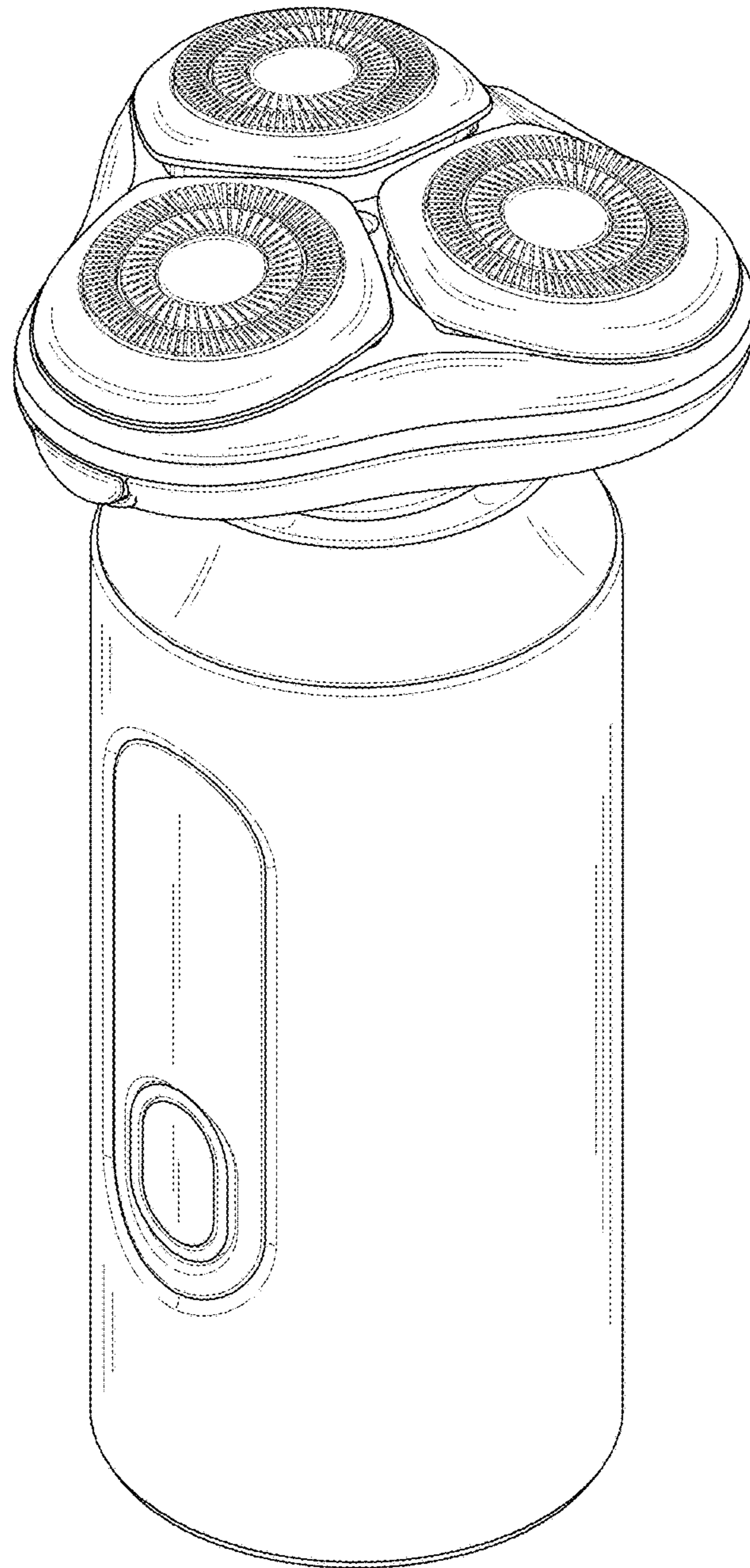


FIG.1

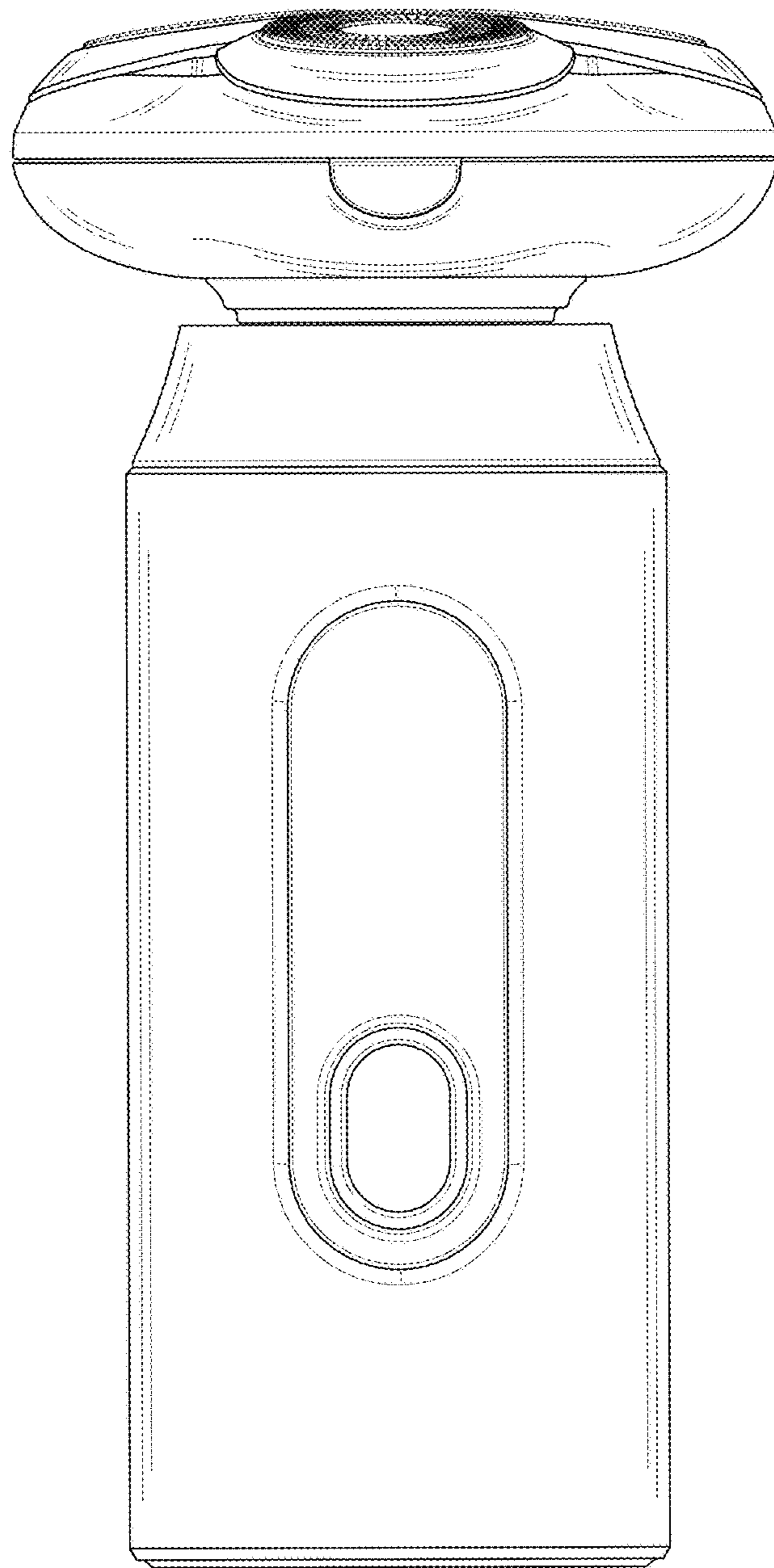


FIG. 2

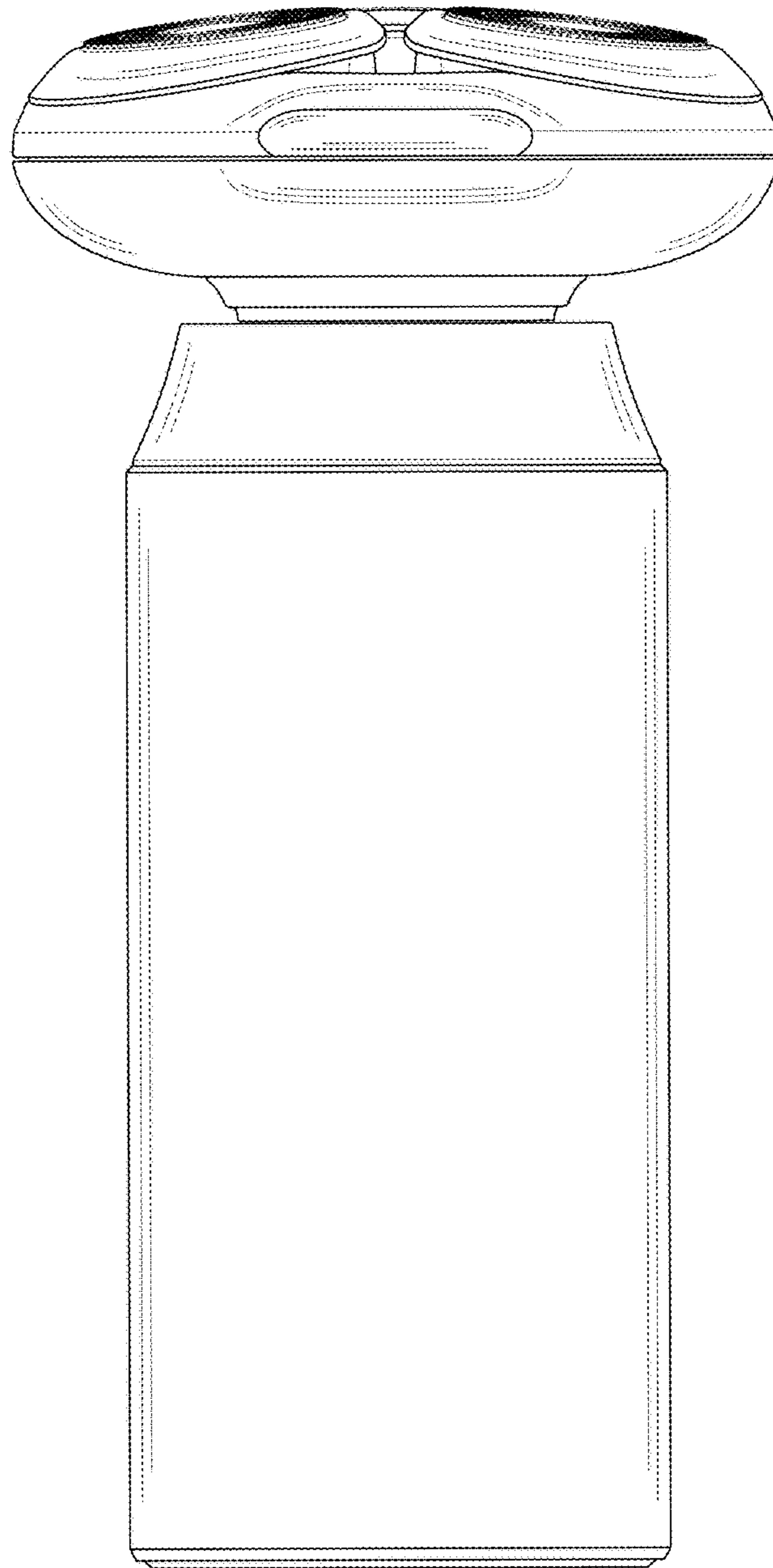


FIG.3

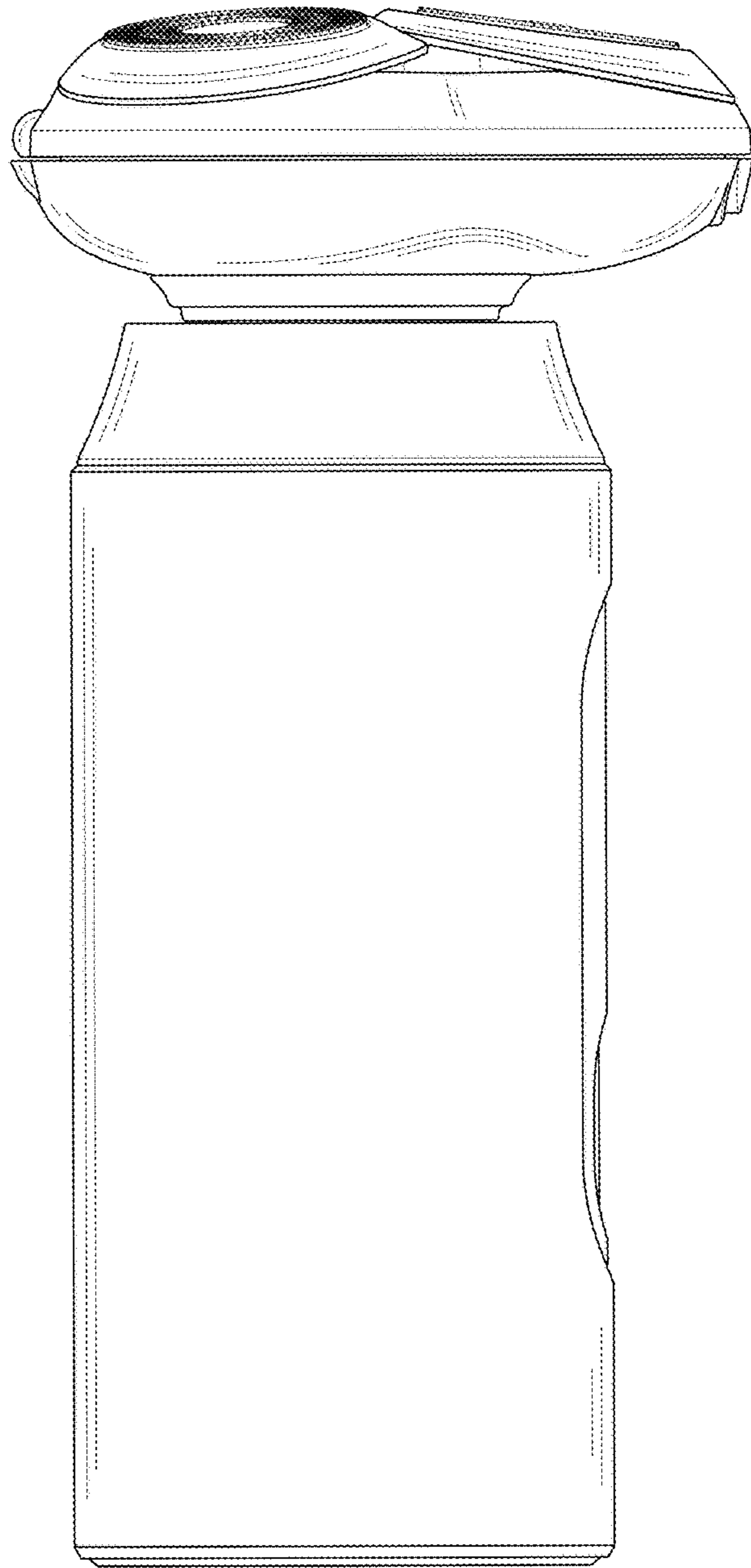


FIG.4

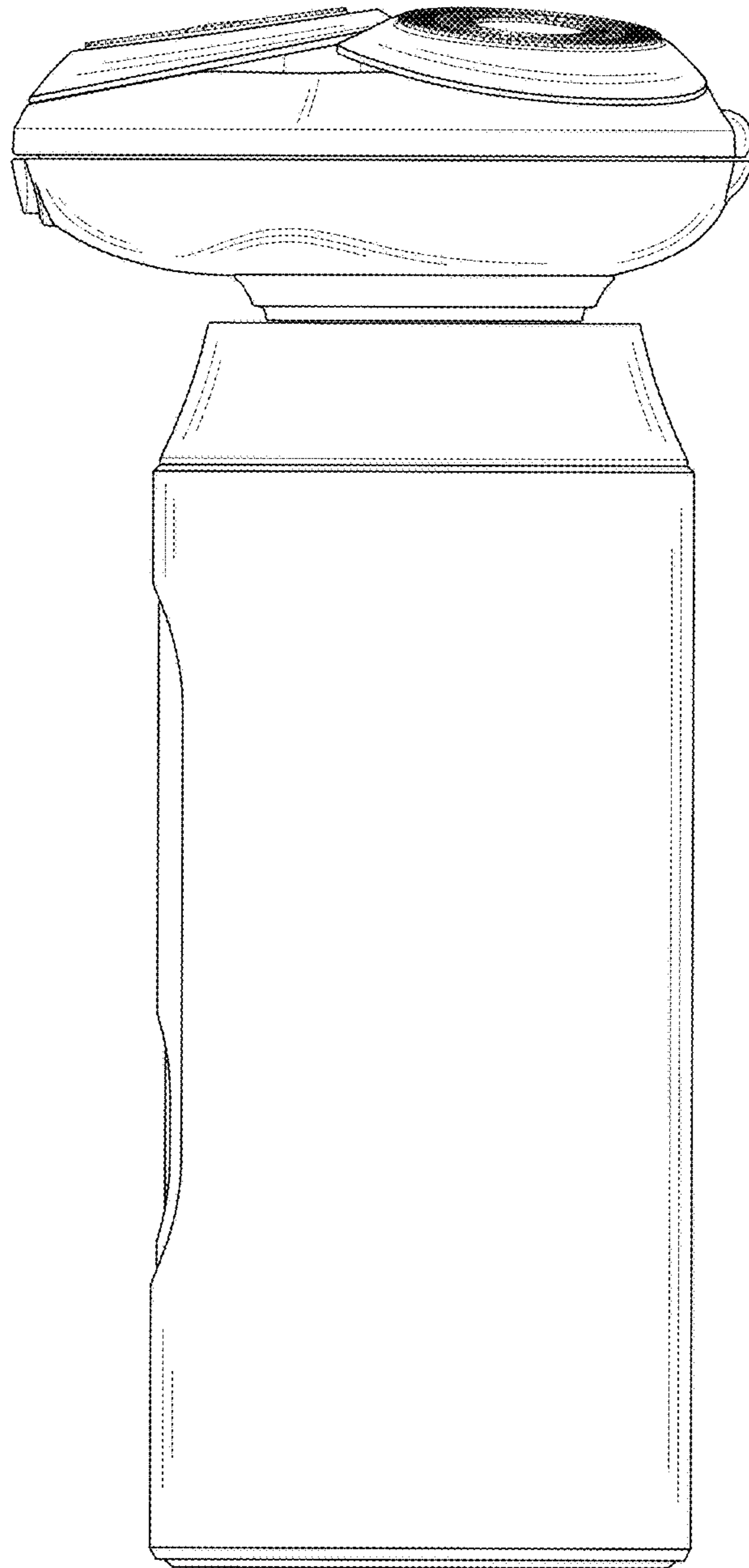


FIG. 5

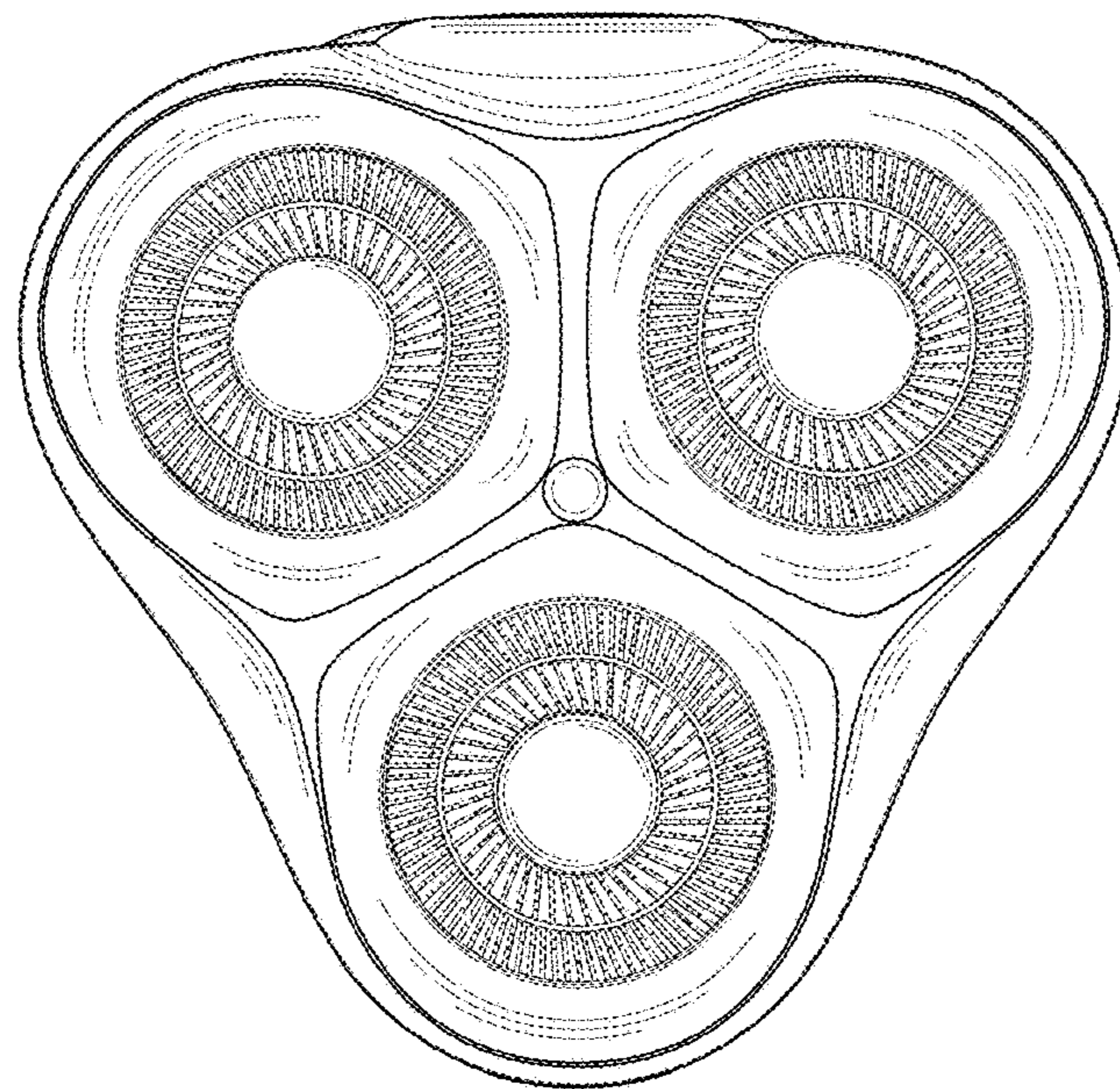


FIG.6

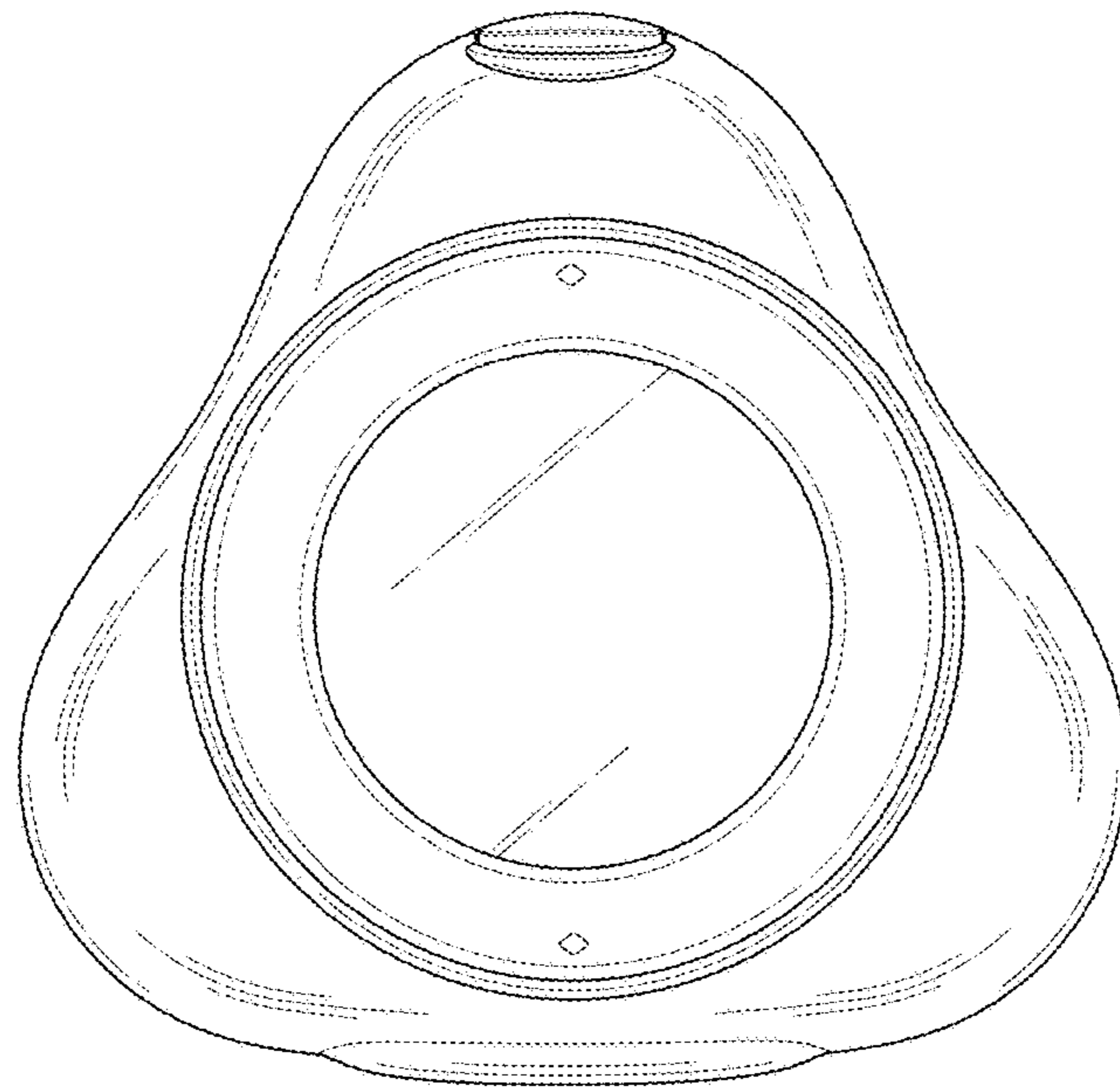


FIG.7