

US00D844241S

(12) **United States Design Patent** (10) **Patent No.:** **US D844,241 S**  
**Milkowski et al.** (45) **Date of Patent:** **\*\* Mar. 26, 2019**

(54) **HAIR ACCESSORY**

(71) Applicants: **Diana Milkowski**, Rumson, NJ (US);  
**Douglas Duprey**, Rumson, NJ (US)

(72) Inventors: **Diana Milkowski**, Rumson, NJ (US);  
**Douglas Duprey**, Rumson, NJ (US)

(73) Assignee: **PULLEEZ INTERNATIONAL INC.**,  
Rumson, NJ (US)

(\*\*) Term: **15 Years**

(21) Appl. No.: **29/552,670**

(22) Filed: **Jan. 25, 2016**

**Related U.S. Application Data**

(63) Continuation of application No. 29/410,240, filed on  
Jan. 5, 2012, now Pat. No. Des. 707,394, and a  
continuation of application No. 29/494,138, filed on  
Jun. 17, 2014, now Pat. No. Des. 748,332.

(51) **LOC (11) Cl.** ..... **28-03**

(52) **U.S. Cl.**  
USPC ..... **D28/41**

(58) **Field of Classification Search**  
USPC ..... D28/21-34, 39-43  
CPC ... A45D 8/00; A45D 8/02; A45D 8/04; A45D  
8/06; A45D 8/08; A45D 8/10; A45D  
8/12; A45D 8/14; A45D 8/16; A45D  
8/18; A45D 8/20; A45D 8/22; A45D  
8/24; A45D 8/26; A45D 8/28; A45D  
8/30; A45D 8/32; A45D 8/34

See application file for complete search history.

(56) **References Cited**

U.S. PATENT DOCUMENTS

D46,524 S *	10/1914	Bernstein	132/280
D53,030 S *	3/1919	Creech	D28/39
D57,995 S *	5/1921	Saul	D28/39
2,375,935 A *	5/1945	McDonald	A45D 8/14 132/282
3,678,945 A *	7/1972	Reynoir	A45D 8/08 132/280
D368,150 S *	3/1996	Pereira	D28/10

\* cited by examiner

*Primary Examiner* — Zenia I Bennett

(74) *Attorney, Agent, or Firm* — Carlson, Gaskey & Olds,  
P.C.

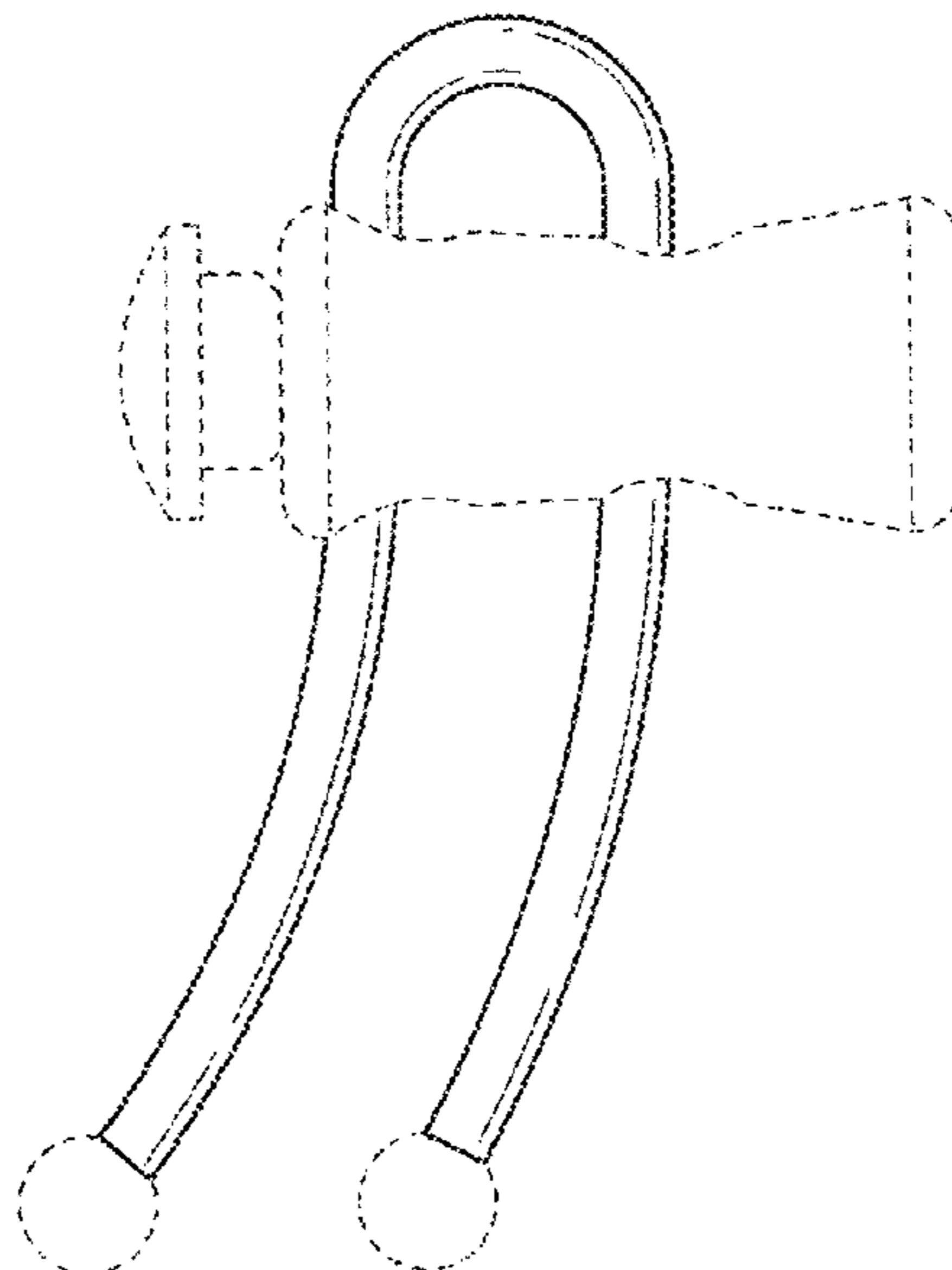
(57) **CLAIM**

The ornamental design for a hair accessory, as shown.

**DESCRIPTION**

FIG. 1 is a front and top perspective view of a hair accessory showing our new design;  
FIG. 2 is a top view thereof;  
FIG. 3 is a front side view thereof, the rear side view being a mirror image thereof;  
FIG. 4 is a bottom view thereof;  
FIG. 5 is a left side view thereof; and,  
FIG. 6 is a right side view thereof.  
The broken lines show environmental matter only and form no part of the claimed design.

**1 Claim, 2 Drawing Sheets**



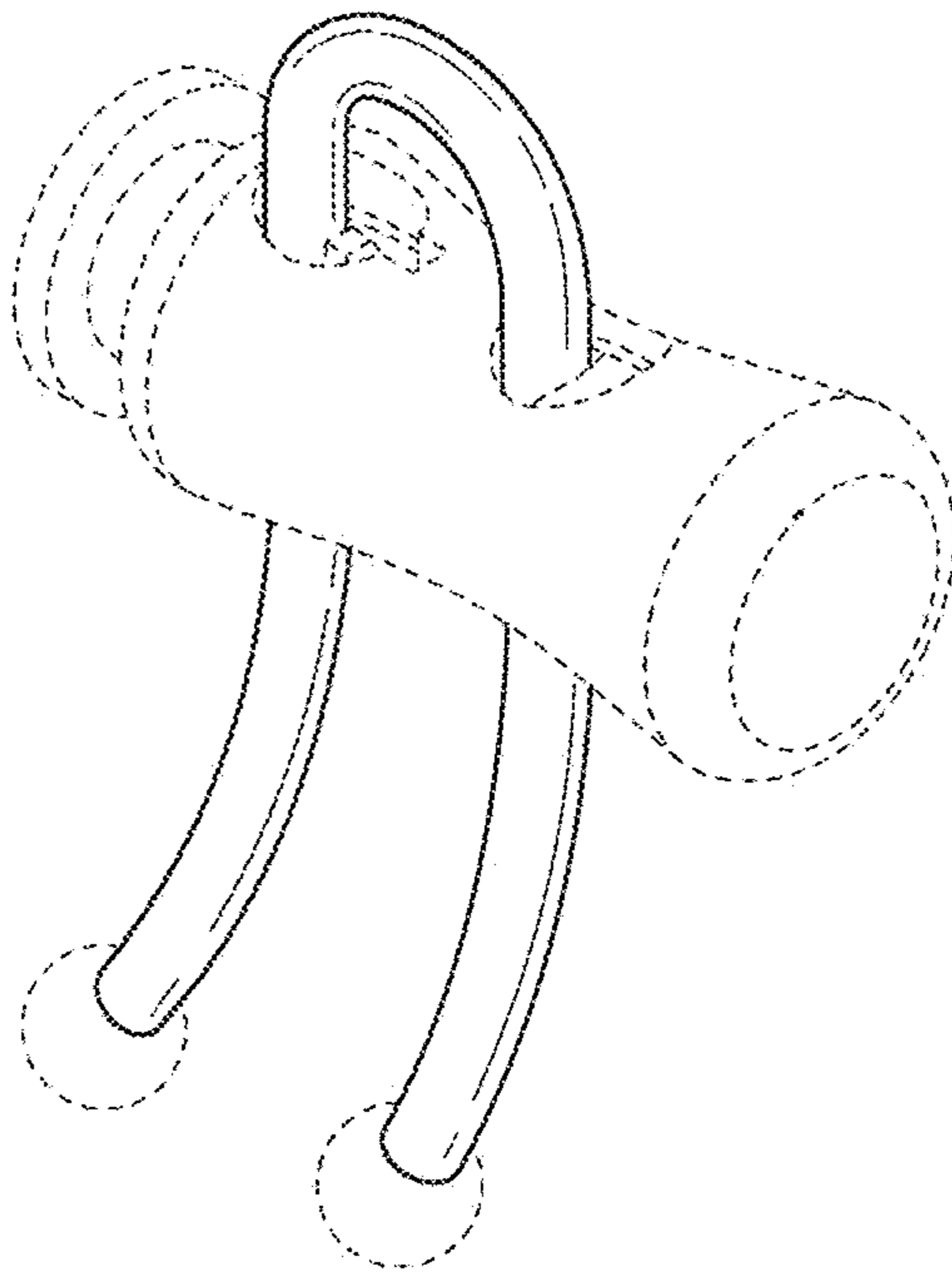


Fig. 1

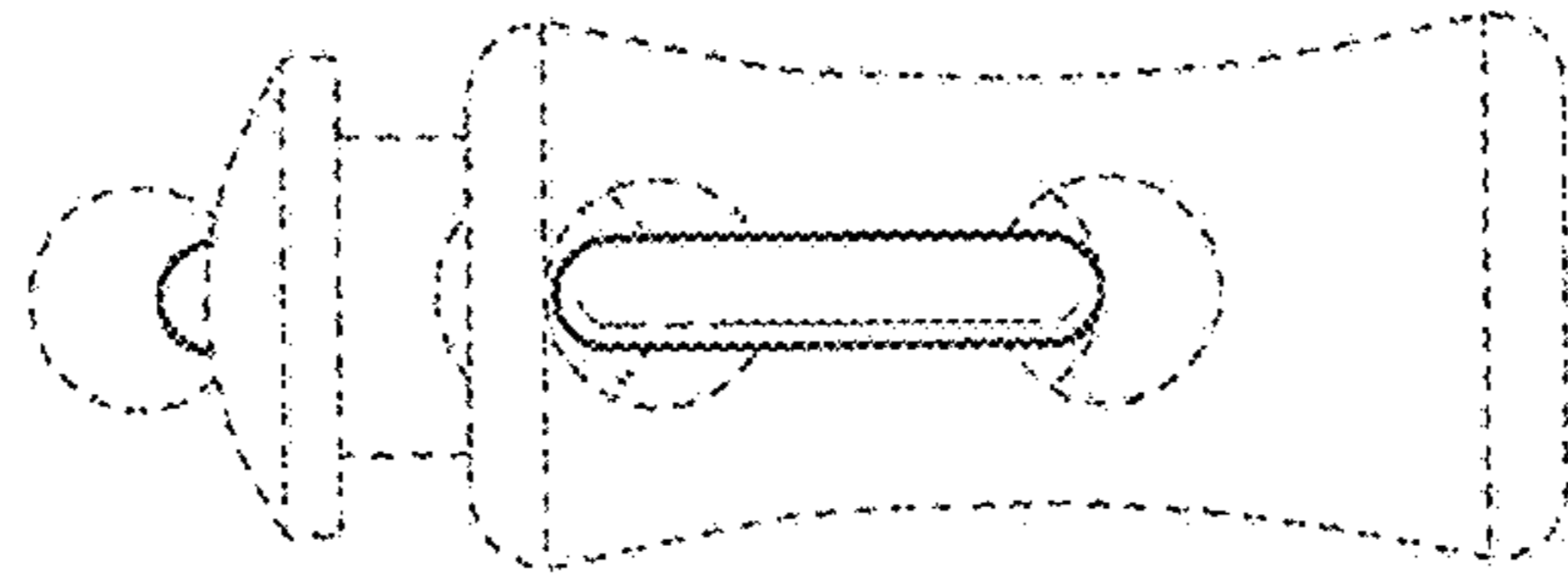


Fig. 2

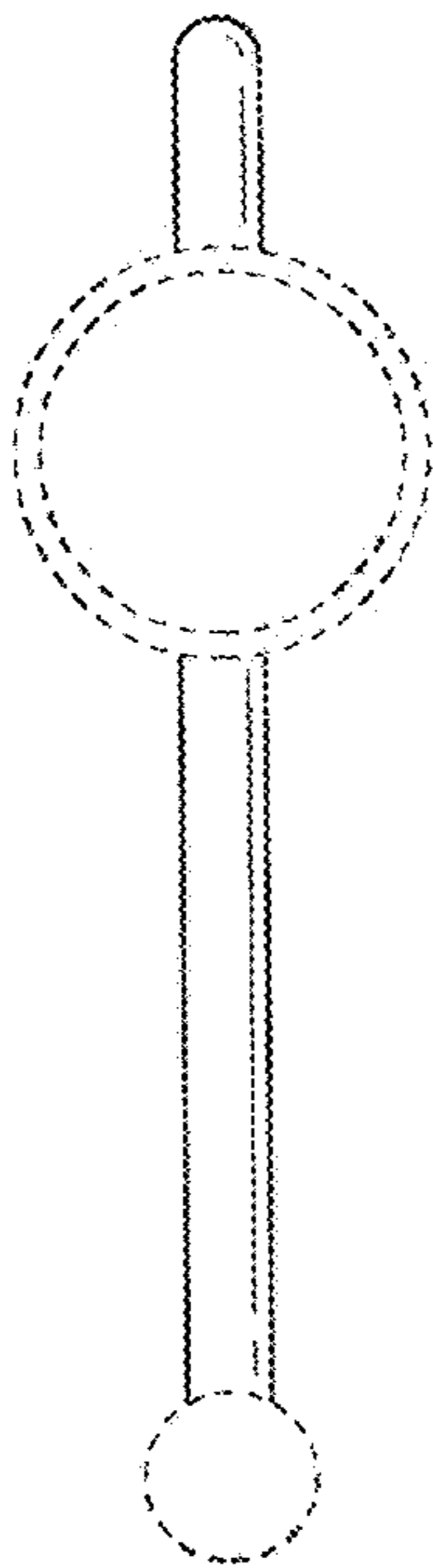


Fig. 5

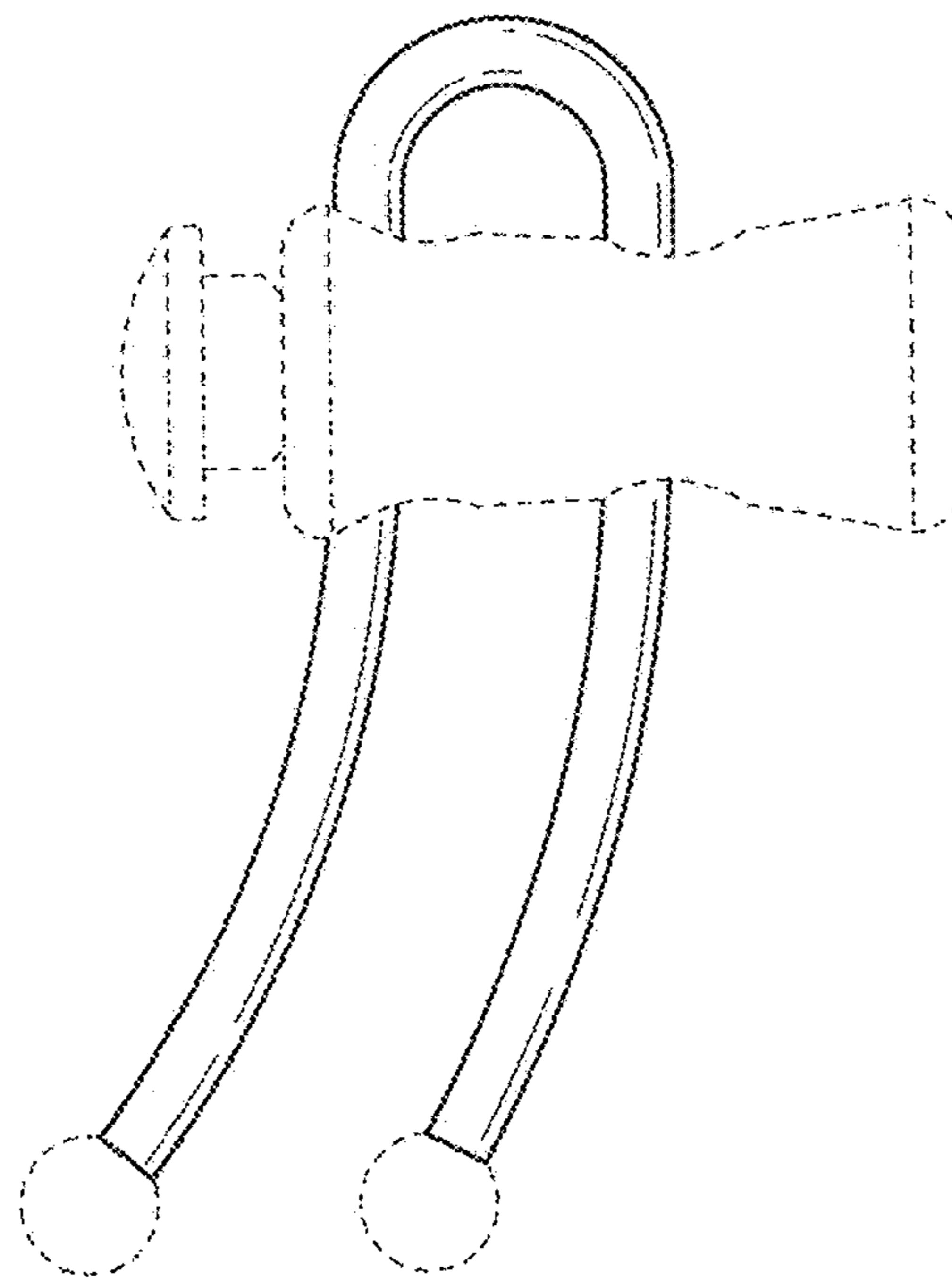


Fig. 3

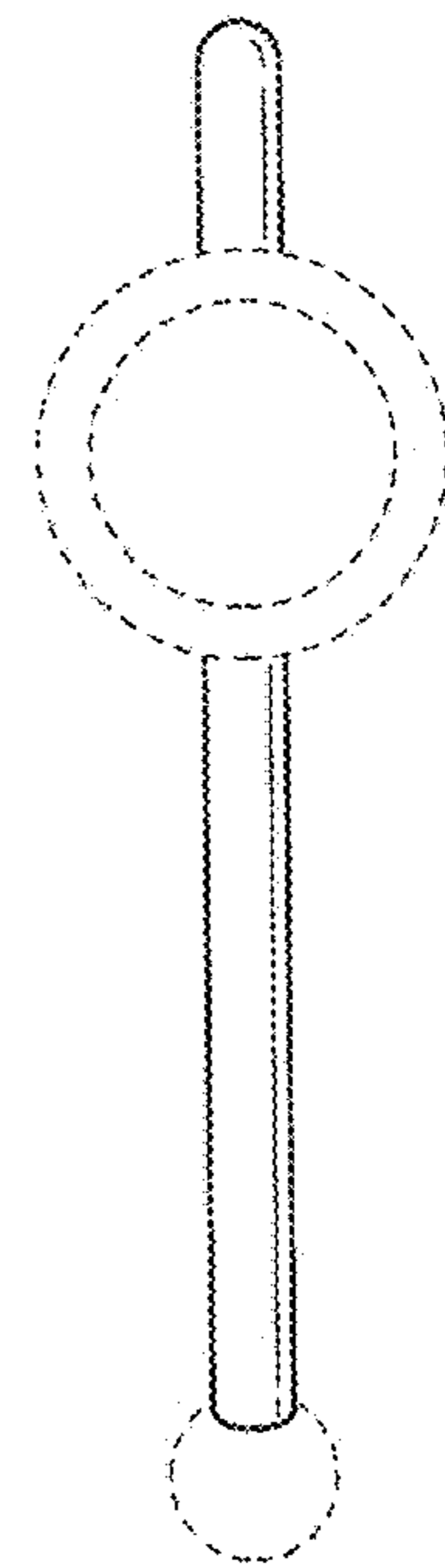


Fig. 6

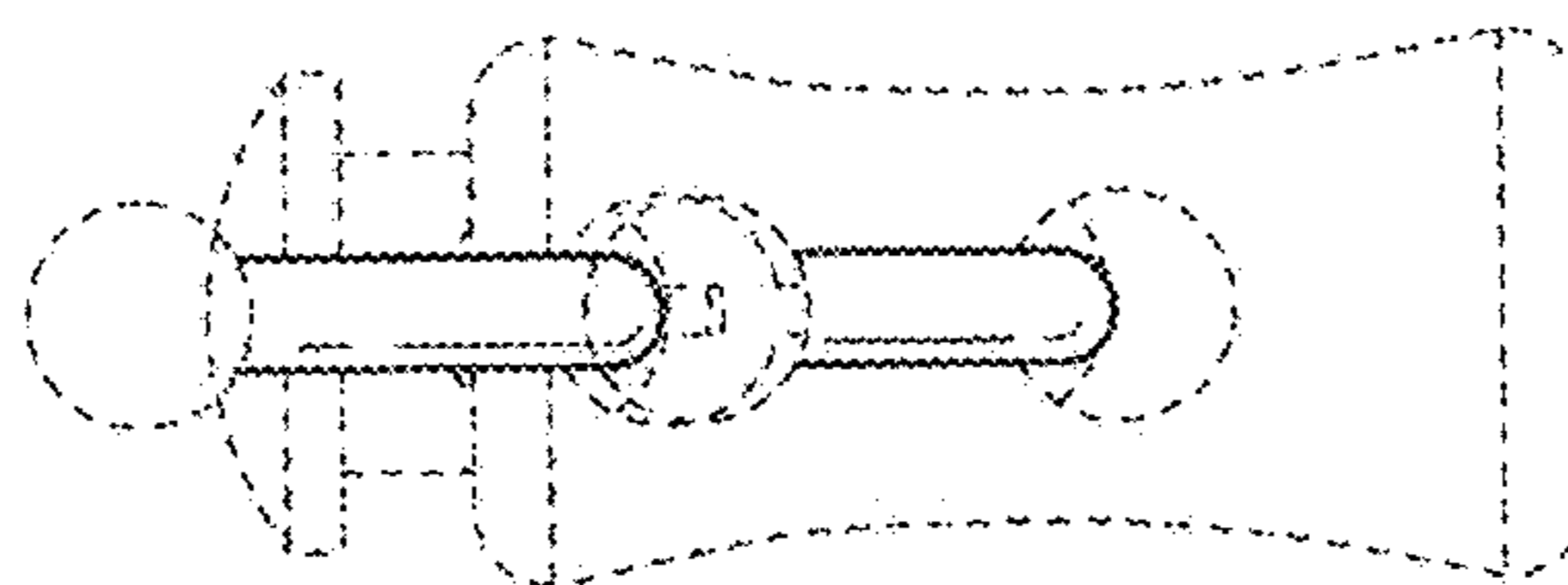


Fig. 4