



US00D844240S

(12) **United States Design Patent** (10) **Patent No.:** **US D844,240 S**
Kauss (45) **Date of Patent:** **** Mar. 26, 2019**

(54) **POD FOR AN ELECTRONIC VAPORIZER**

Primary Examiner — Marissa J Cash

(71) Applicant: **Altria Client Services LLC**,
Richmond, VA (US)

(74) *Attorney, Agent, or Firm* — Harness, Dickey &
Pierce, P.L.C.

(72) Inventor: **Charles P. Kauss**, Atlanta, GA (US)

(57) **CLAIM**

(73) Assignee: **Altria Client Services LLC**,
Richmond, VA (US)

The ornamental design for a pod for an electronic vaporizer,
as shown and described.

(**) Term: **15 Years**

DESCRIPTION

(21) Appl. No.: **29/572,800**

(22) Filed: **Jul. 29, 2016**

(51) **LOC (11) Cl.** **27-99**

(52) **U.S. Cl.**
USPC **D27/194**

(58) **Field of Classification Search**
USPC D27/100, 101, 162, 163–194;
D19/115–123, 161–169; D24/110;
D23/366

(Continued)

(56) **References Cited**

U.S. PATENT DOCUMENTS

D136,980 S 1/1944 Hickman
D191,251 S 8/1961 Zackheim

(Continued)

FOREIGN PATENT DOCUMENTS

CN 303897507 S 10/2016
CN 303961973 S 12/2016

(Continued)

OTHER PUBLICATIONS

United States Office Action for corresponding U.S. Appl. No.
29/572,798 dated Sep. 19, 2018.

(Continued)

FIG. 1 is a perspective front view of a pod for an electronic vaporizer.

FIG. 2 is a front view of the pod for electronic vaporizer of FIG. 1.

FIG. 3 is a rear view of the pod for electronic vaporizer of FIG. 1.

FIG. 4 is a right side view of the pod for electronic vaporizer of FIG. 1.

FIG. 5 is a left side view of the pod for electronic vaporizer of FIG. 1.

FIG. 6 is a top view of the pod for electronic vaporizer of FIG. 1.

FIG. 7 is a bottom view of the pod for electronic vaporizer of FIG. 1.

FIG. 8 is a front perspective view of the pod for electronic vaporizer of FIG. 1, shown assembled with an electronic vaporizer.

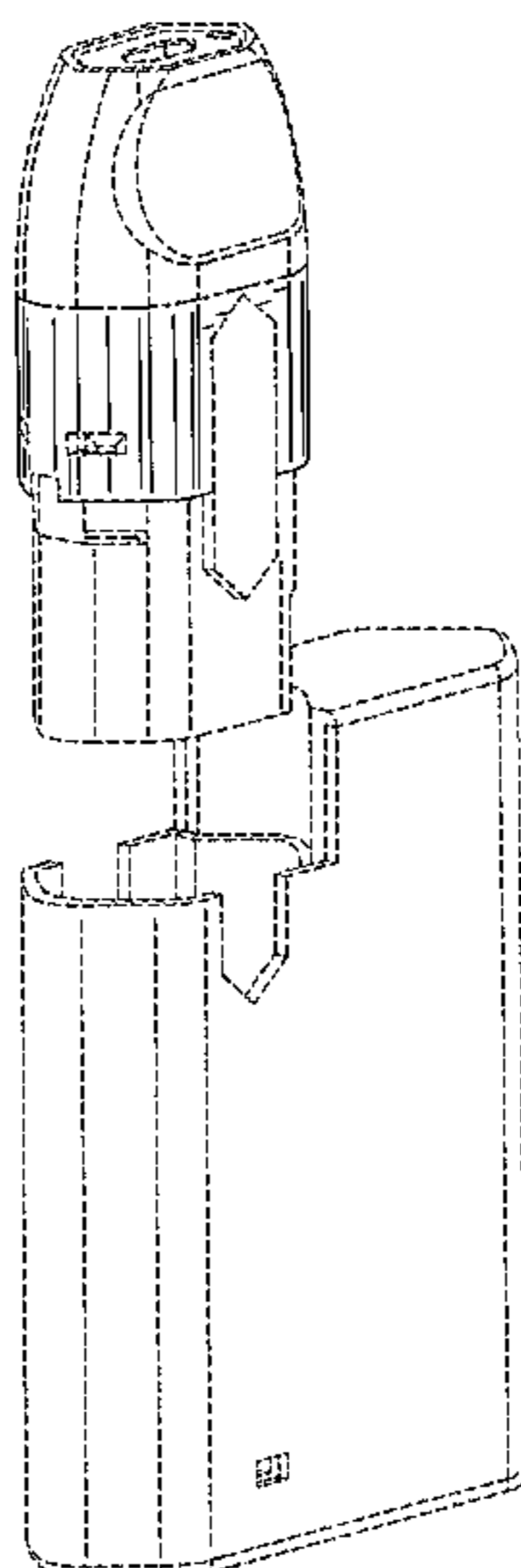
FIG. 9 is a front exploded view of the pod and electronic vaporizer assembly of FIG. 8.

FIG. 10 is a rear perspective view of the pod and electronic vaporizer assembly of FIG. 8; and,

FIG. 11 is a rear exploded view of the pod and electronic vaporizer assembly of FIG. 8.

In the drawings, the claimed design is defined by the shaded surfaces; evenly spaced and dash-dot broken lines immediately adjacent shaded surfaces represent boundaries of the claim and form no part thereof; all other broken lines depict environmental subject matter that form no part of the claim.

1 Claim, 9 Drawing Sheets



(58) **Field of Classification Search**
 CPC A24F 47/008; A24F 47/002; A24F 7/02;
 A61M 15/06
 See application file for complete search history.

(56) **References Cited**

U.S. PATENT DOCUMENTS

D247,316 S 2/1978 Beeson et al.
 D262,662 S 1/1982 Stuetzer et al.
 4,486,169 A 12/1984 Lewis
 D299,066 S * 12/1988 Newell D24/110
 4,993,435 A 2/1991 McCann
 D323,292 S * 1/1992 Jones D9/424
 D347,490 S 5/1994 Gee et al.
 D402,401 S 12/1998 Duke
 D422,113 S 3/2000 Higgins et al.
 D470,529 S * 2/2003 Tu D19/165
 D532,927 S * 11/2006 Sann D27/101
 D606,865 S * 12/2009 Huntington D9/445
 D649,708 S 11/2011 Oneil
 D663,892 S 7/2012 Arcos Bellvehi
 D669,530 S * 10/2012 Hung D19/166
 D675,777 S 2/2013 Wu
 D720,497 S 12/2014 Alima
 D725,310 S 3/2015 Eksouzian
 D725,821 S * 3/2015 Levin D27/101
 D732,733 S 6/2015 Spagnolo et al.
 D750,320 S 2/2016 Verleur et al.
 D752,280 S 3/2016 Verleur et al.
 D753,336 S 4/2016 Chen
 D763,502 S 8/2016 Verleur et al.
 D771,043 S 11/2016 Avetisov et al.
 D771,867 S 11/2016 Leidel et al.
 D773,114 S 11/2016 Leidel et al.
 D776,337 S 1/2017 Levin et al.
 D776,867 S 1/2017 Rado
 D776,868 S 1/2017 Rado
 D776,869 S * 1/2017 Heidl D27/163
 D778,492 S 2/2017 Liu
 D779,719 S * 2/2017 Qiu D27/101

D788,697 S 6/2017 Verleur et al.
 D809,190 S 1/2018 Schuler et al.
 D813,447 S * 3/2018 Watson D27/162
 D818,636 S * 5/2018 Qiu D27/101
 D819,263 S * 5/2018 Zhu D27/101
 D819,881 S * 6/2018 Qiu D27/101
 D819,882 S 6/2018 Qiu
 D822,896 S * 7/2018 Durand D27/101
 D824,093 S * 7/2018 Kauss D27/101
 D828,622 S 9/2018 Chen et al.
 2009/0283103 A1 11/2009 Nielsen et al.
 2013/0068239 A1 3/2013 Youn
 2014/0041655 A1 2/2014 Barron et al.
 2015/0034104 A1 * 2/2015 Zhou A24F 47/008
 131/329
 2015/0150305 A1 * 6/2015 Shenkal A24F 47/008
 131/329
 2016/0166786 A1 6/2016 Kinzer

FOREIGN PATENT DOCUMENTS

CN 303961976 S 12/2016
 CN 303961987 12/2016

OTHER PUBLICATIONS

Notice of Allowance dated Jul. 25, 2017 issued in U.S. Appl. No. 29/572,791.
 Notice of Allowance dated Oct. 25, 2017 issued in U.S. Appl. No. 29/572,791.
 Notice of Allowance dated Mar. 7, 2018 issued in U.S. Appl. No. 29/572,791.
 Notice of Allowance dated Apr. 3, 2018 issued in U.S. Appl. No. 29/614,142.
<https://www.juulvapor.com/shop-juul/>, 2016, believed to be publicly available as early as Aug. 5, 2016.
<http://shop.vonerl.com/en/liquids/my.>, believed to be publicly available as early as Apr. 27, 2016.

* cited by examiner

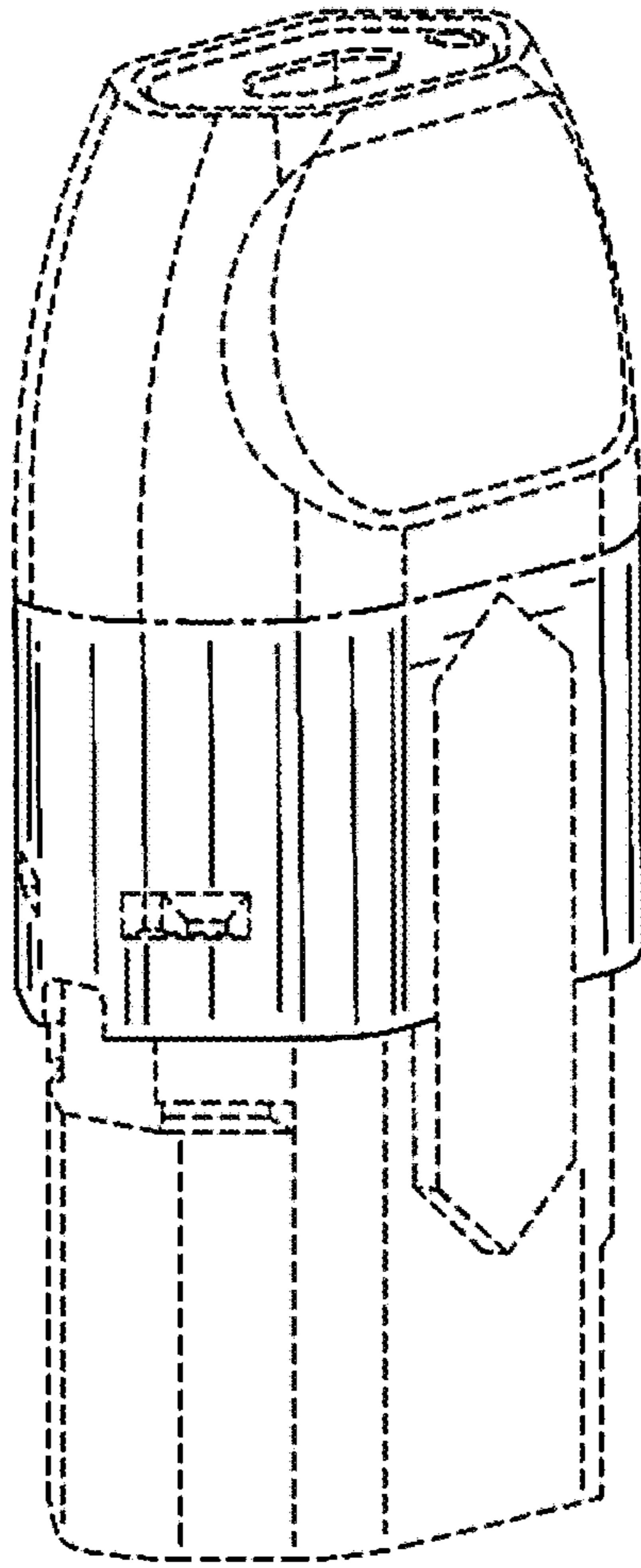


FIG. 1

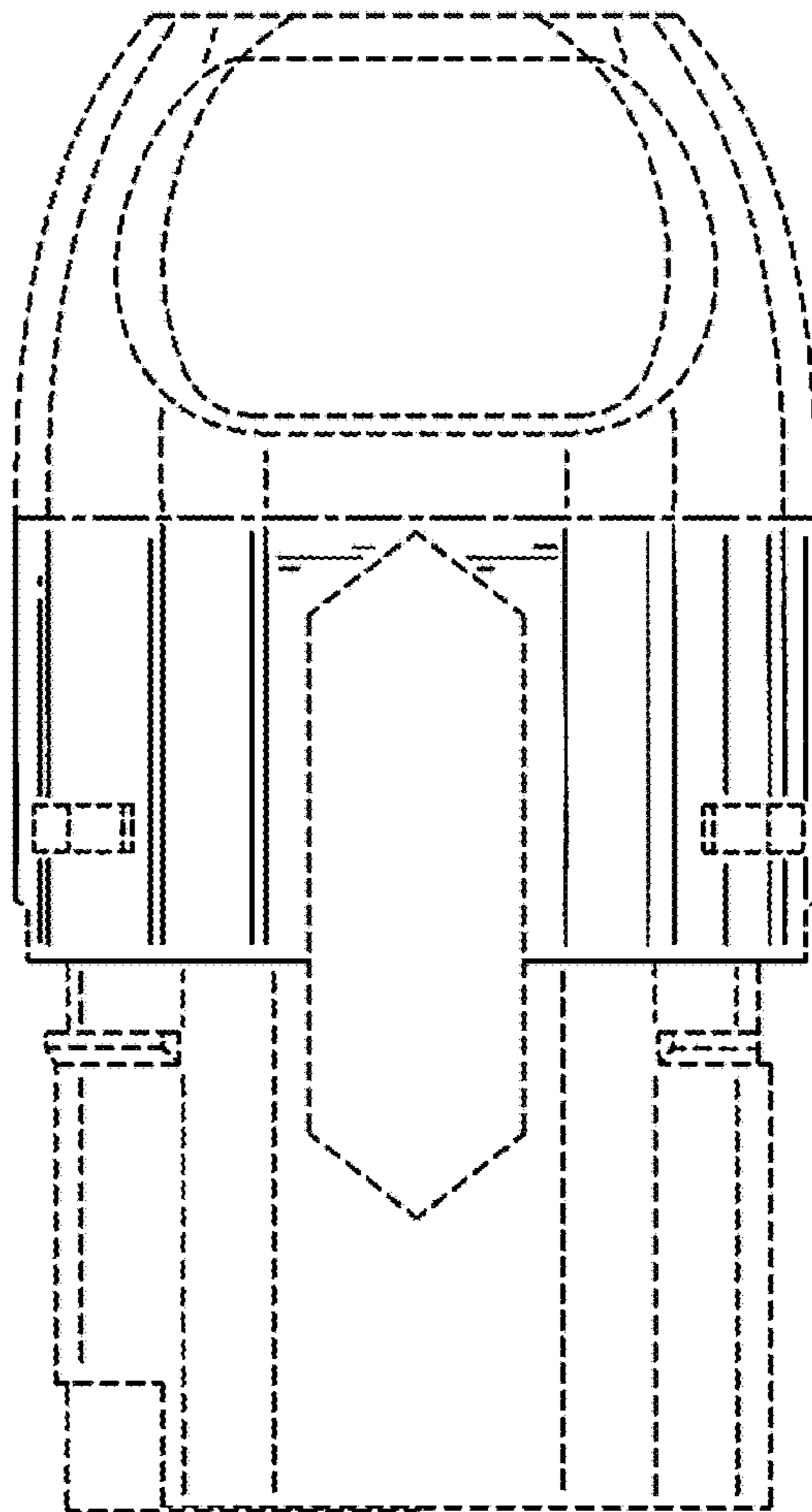


FIG. 2

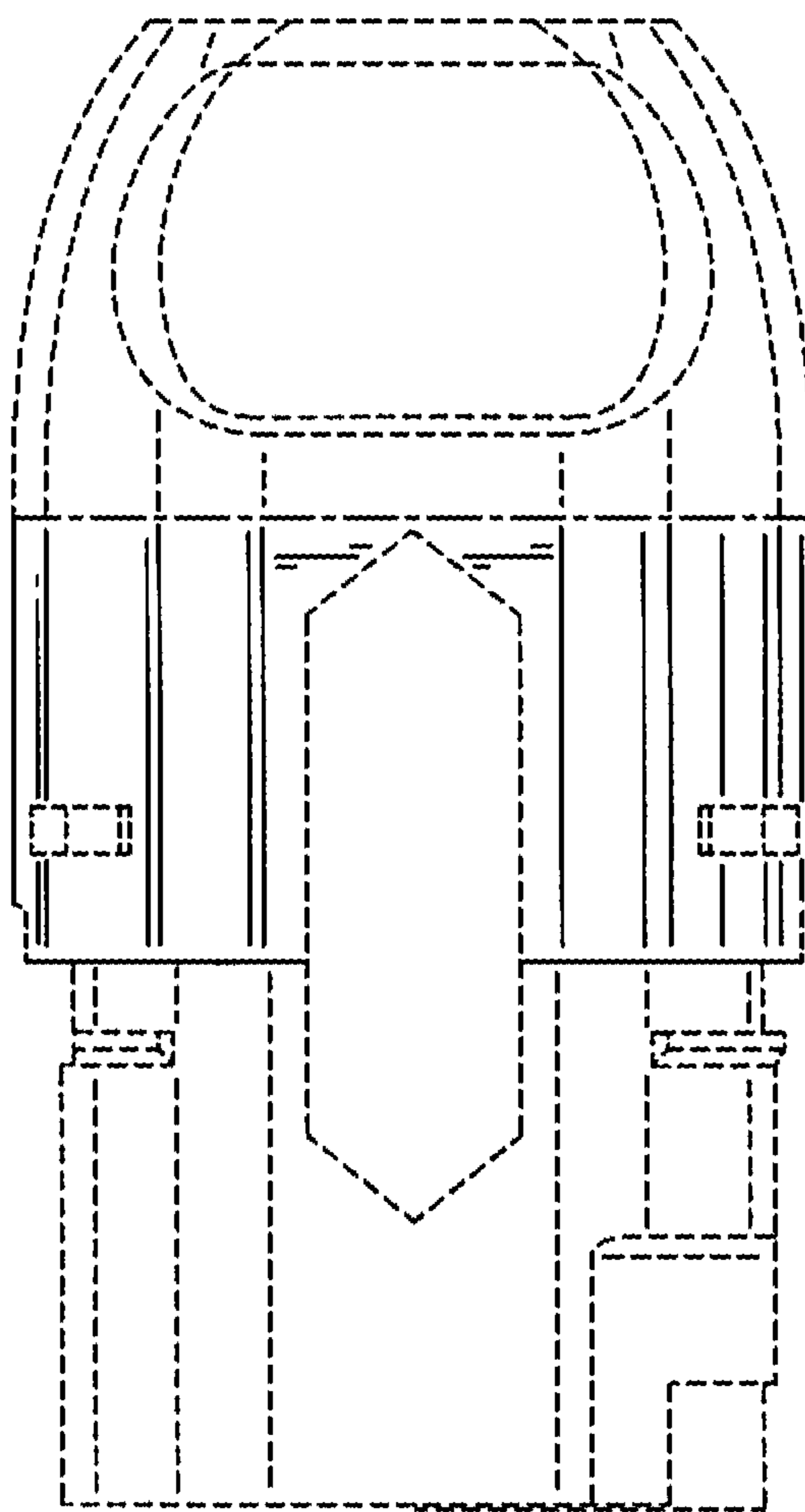


FIG. 3

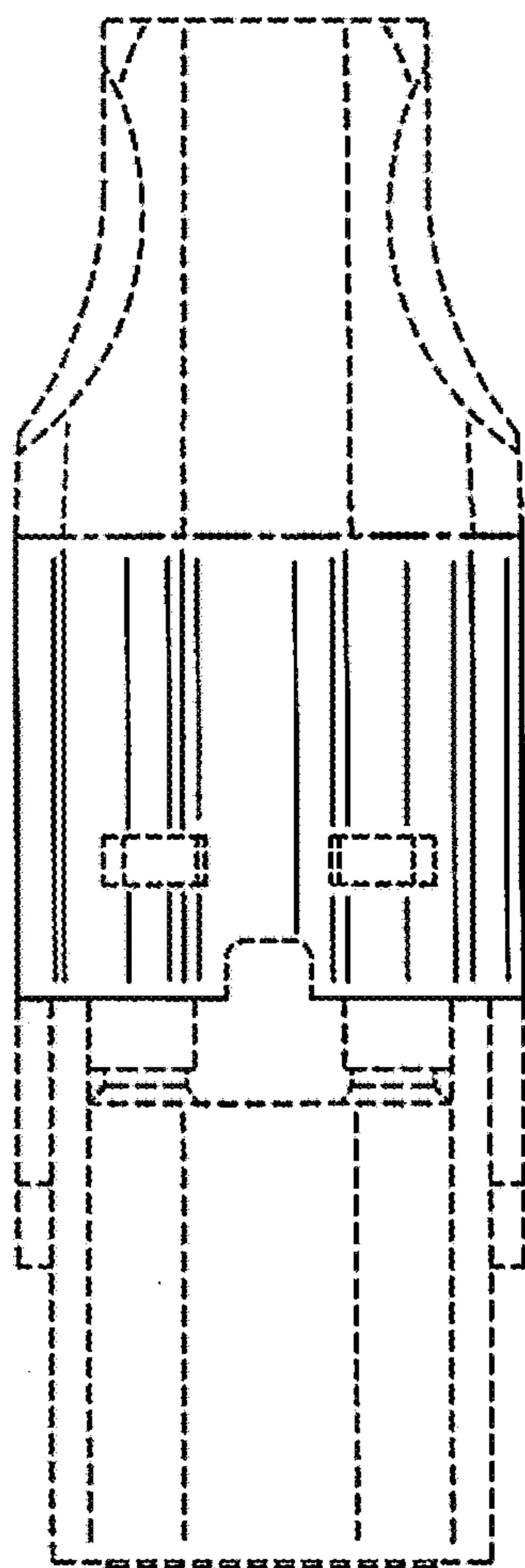


FIG. 4

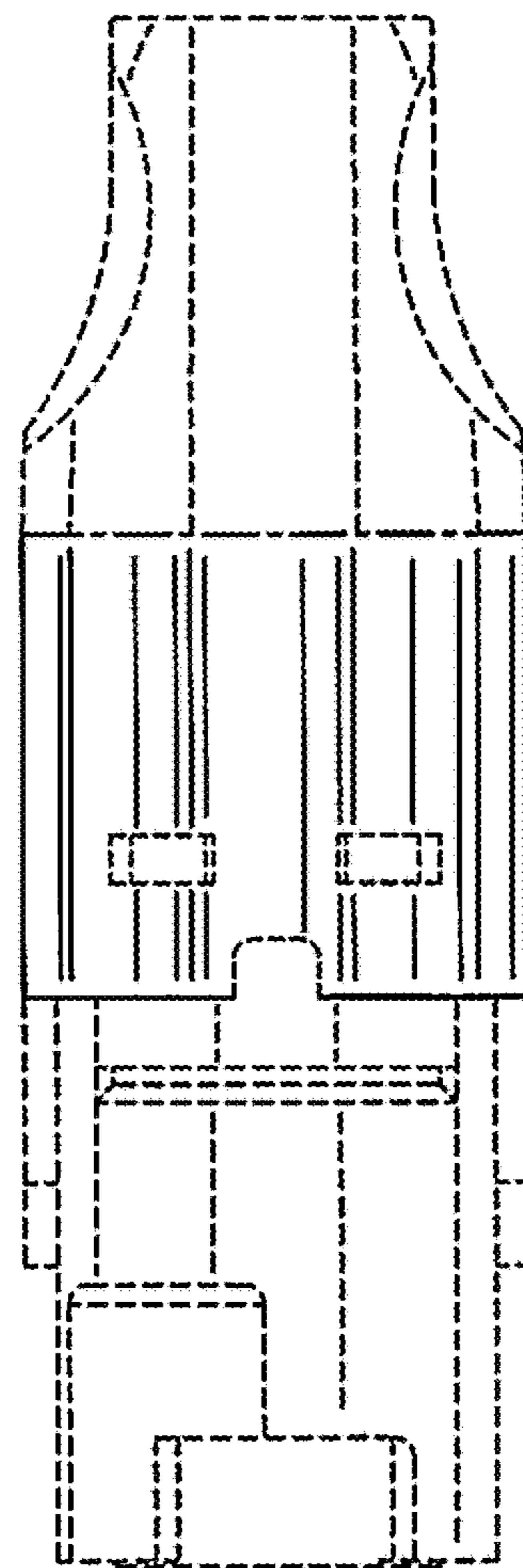


FIG. 5

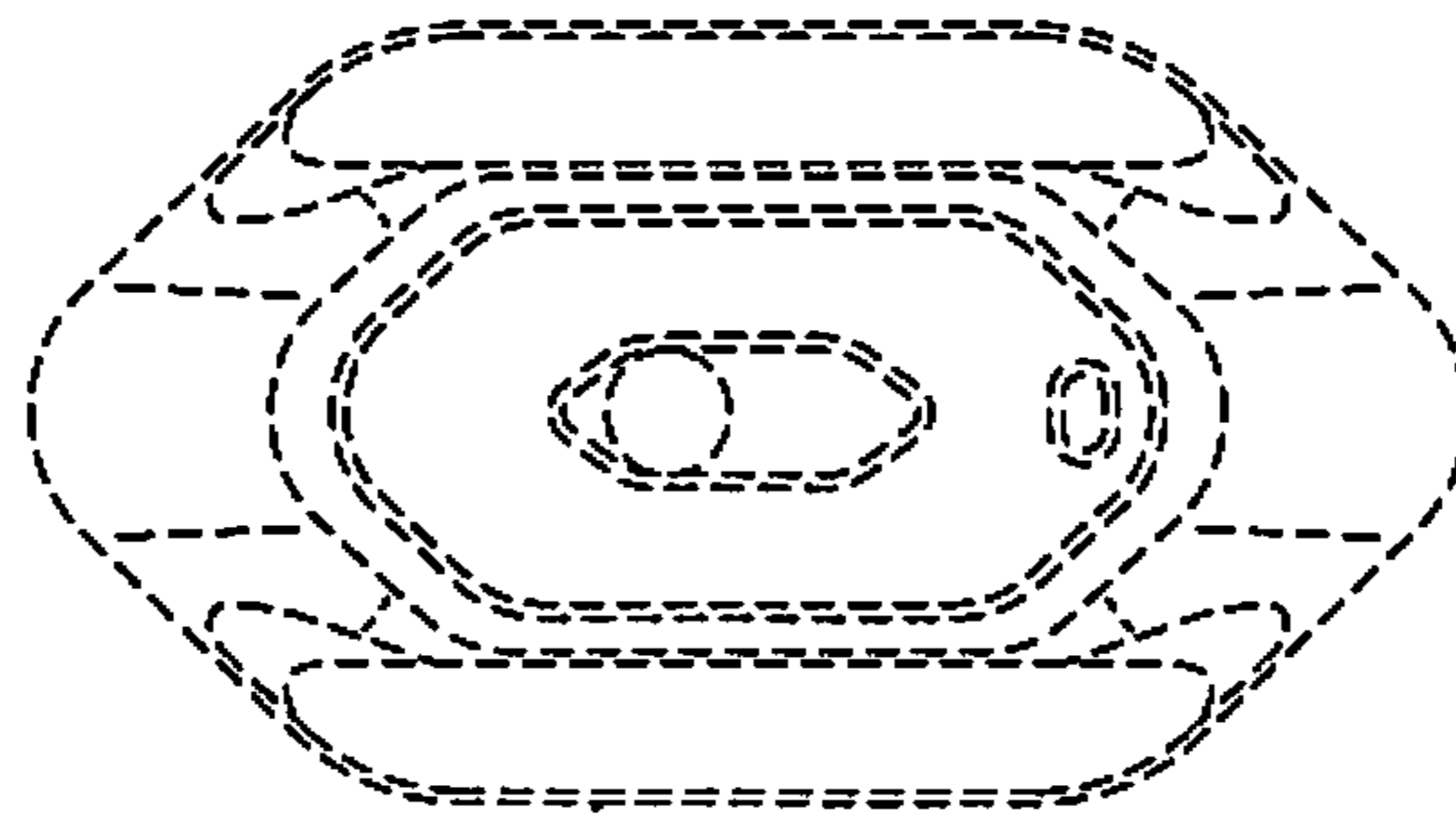


FIG. 6

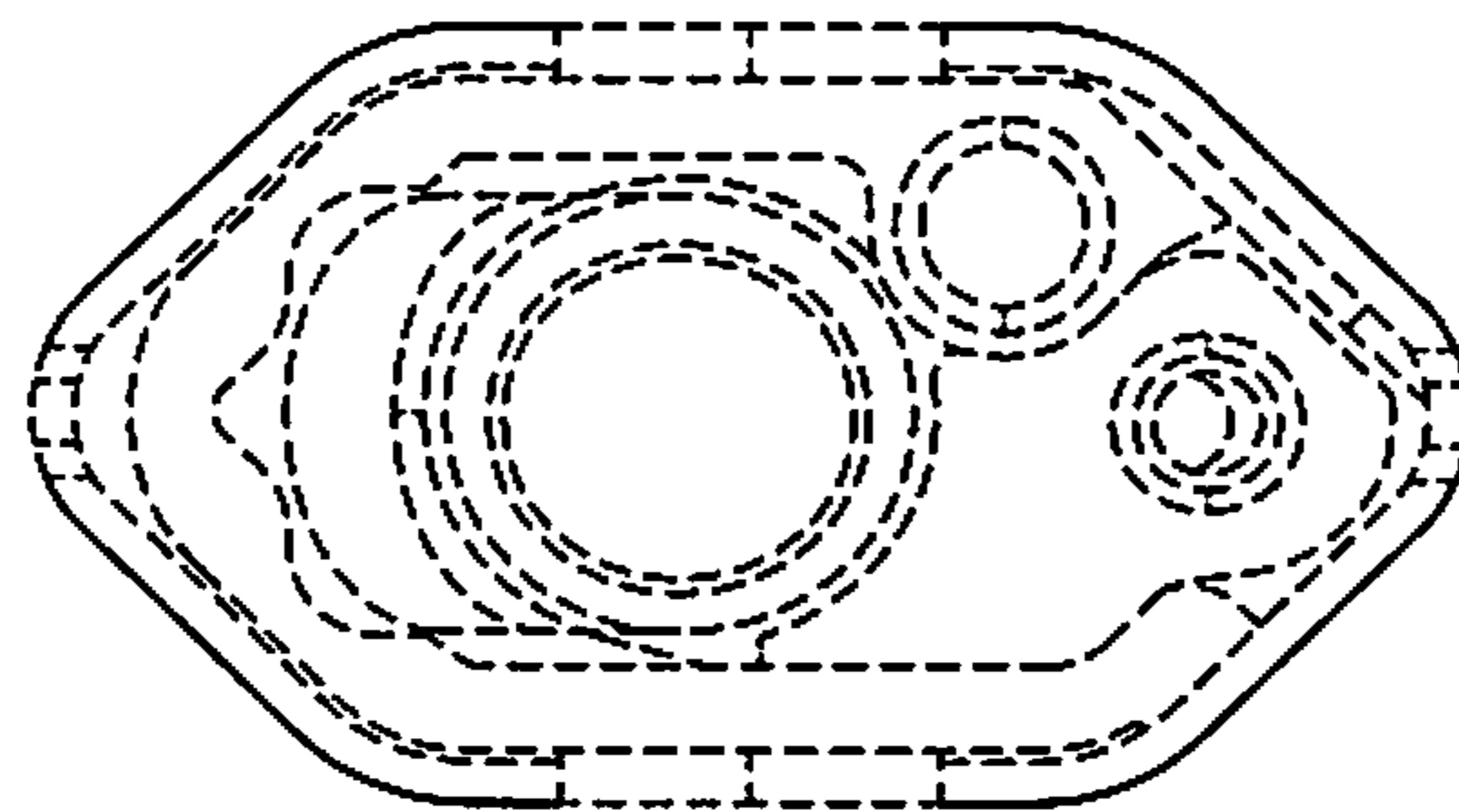


FIG. 7

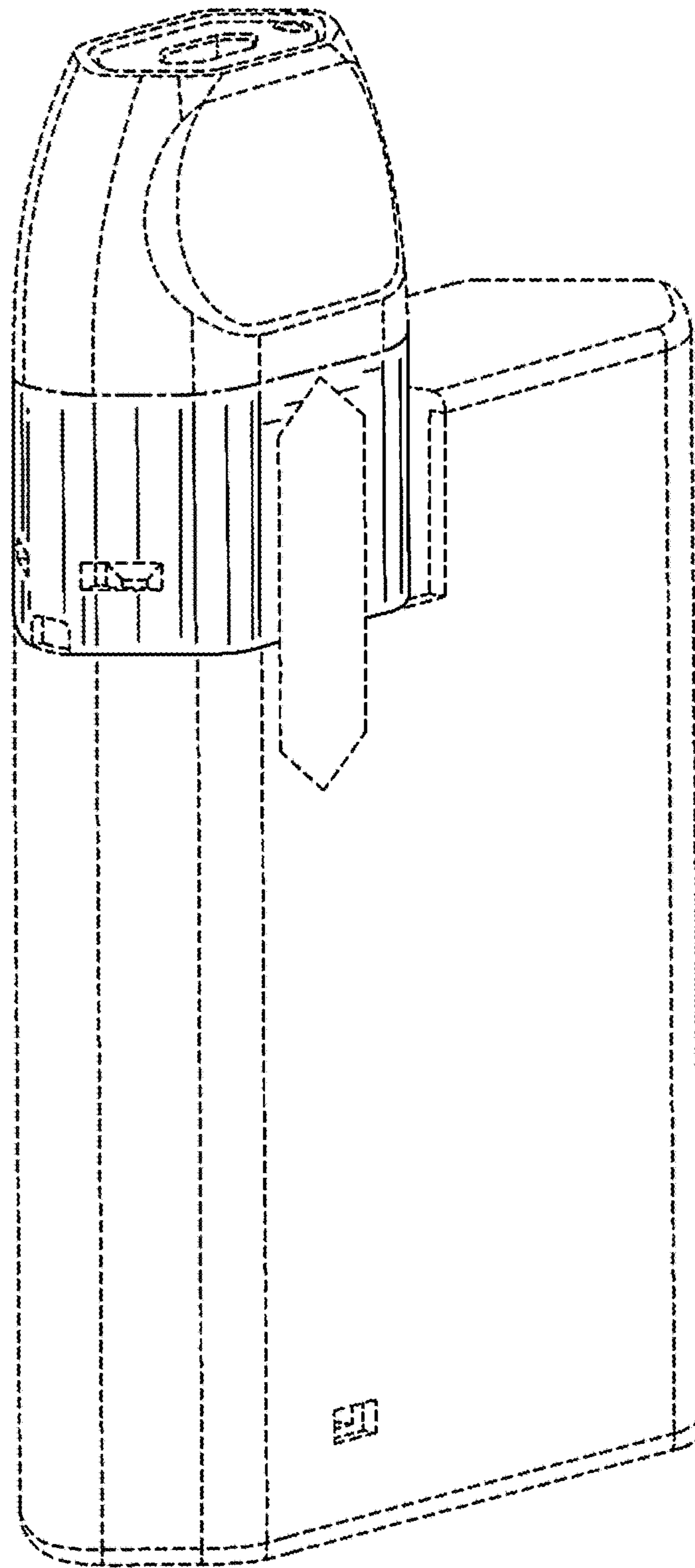


FIG. 8

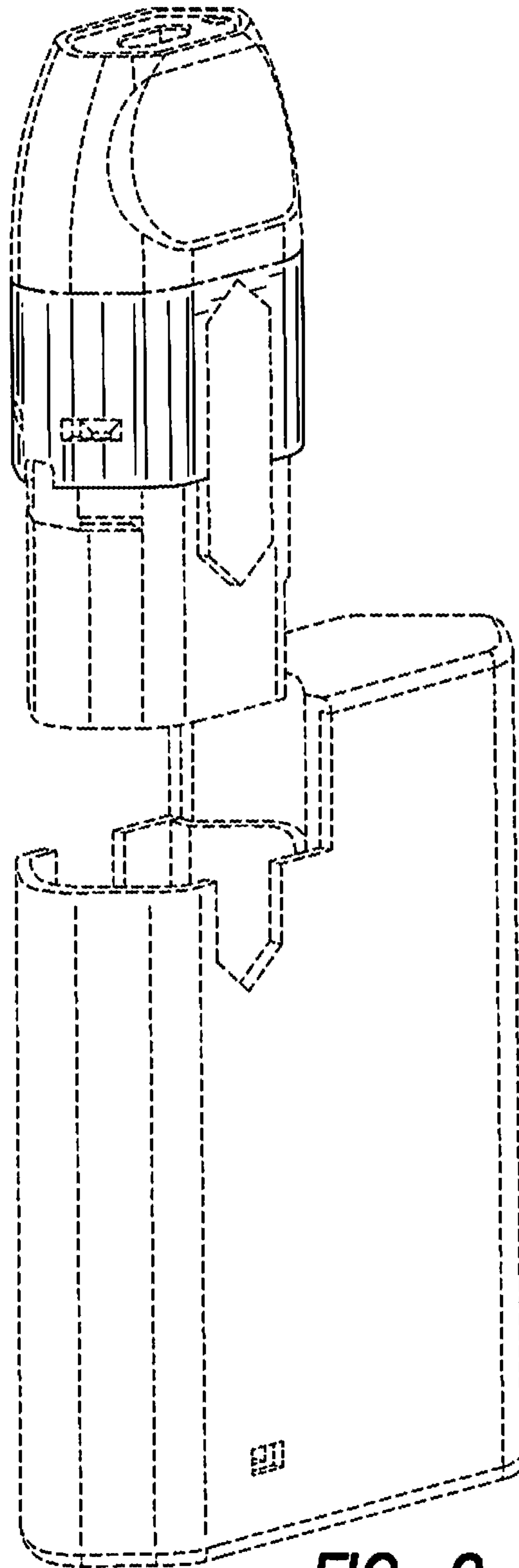


FIG. 9

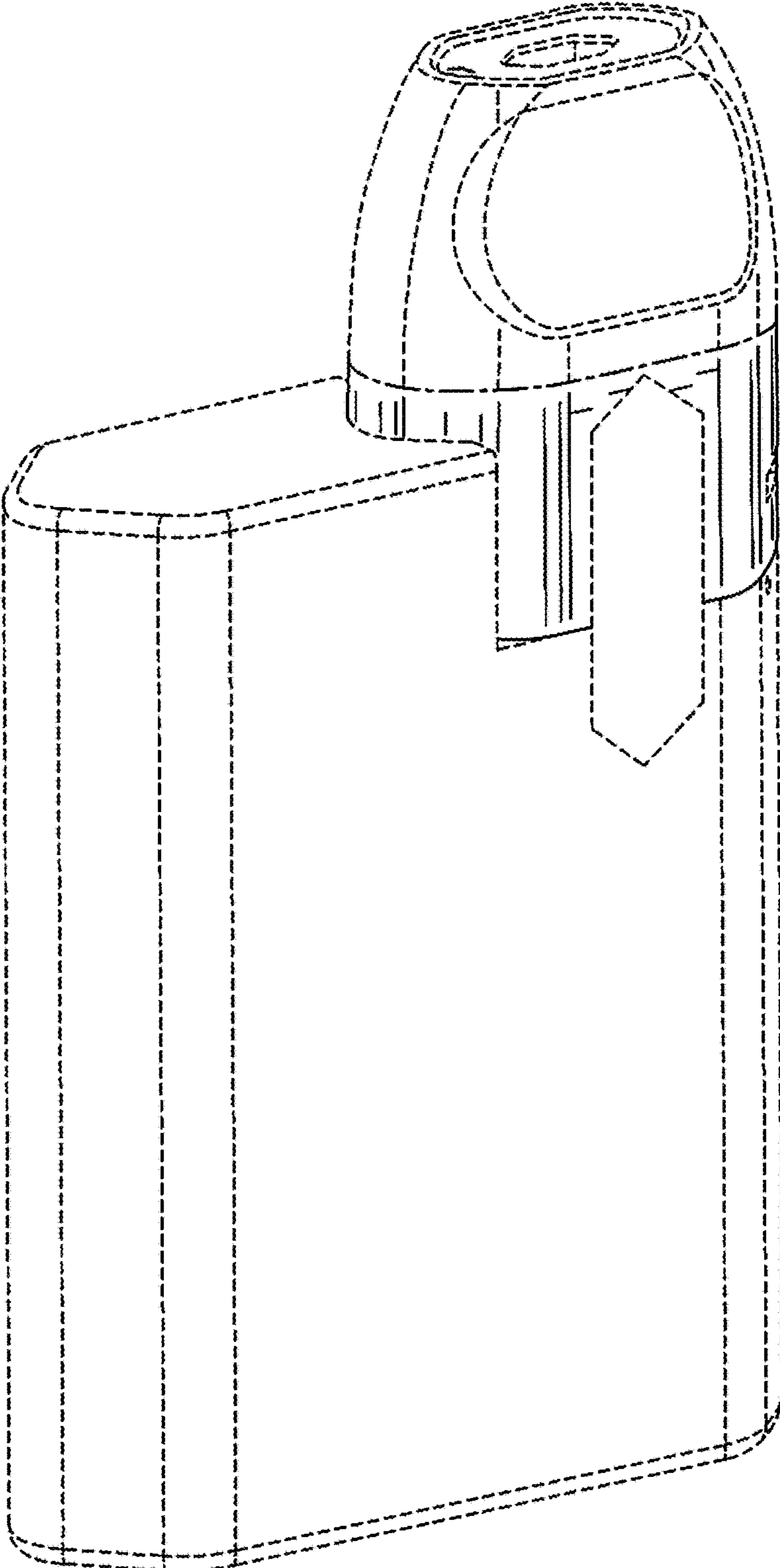


FIG. 10

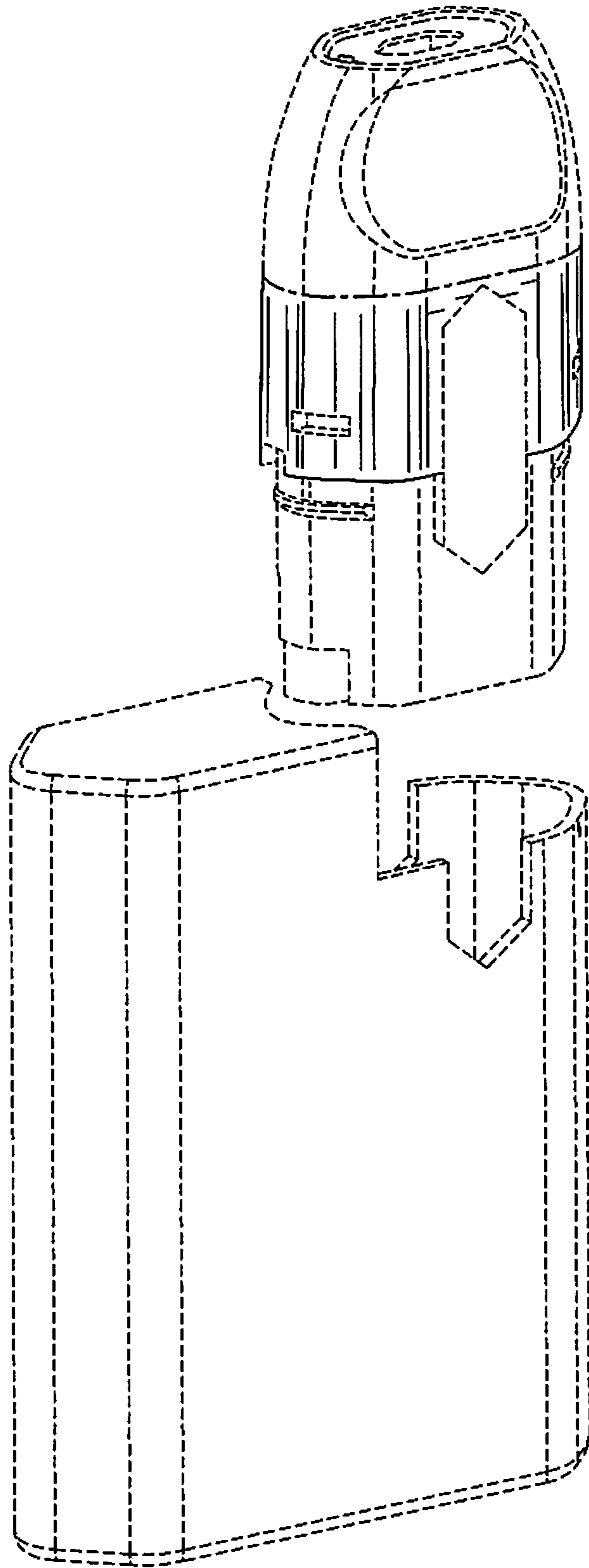


FIG. 11