

US00D844239S

(12) **United States Design Patent** (10) **Patent No.:** **US D844,239 S**
Nellestein (45) **Date of Patent:** **** Mar. 26, 2019**

(54) **PORTABLE CIGAR STAND**
(71) Applicant: **Michael Nellestein**, St. Joseph, MO (US)
(72) Inventor: **Michael Nellestein**, St. Joseph, MO (US)
(**) Term: **15 Years**
(21) Appl. No.: **29/563,030**
(22) Filed: **May 2, 2016**
(51) **LOC (11) Cl.** **27-06**
(52) **U.S. Cl.**
USPC **D27/183**
(58) **Field of Classification Search**
USPC D27/102, 103, 108, 110, 125, 128, 129, D27/133, 134, 135, 137, 138, 172, 173, D27/175, 180, 183
CPC A24F 19/00; A24F 19/10; A24F 19/0014; A24F 19/0035; A24F 19/64; A24F 19/78; A24F 13/00; A24F 13/18; A24F 13/22; A24F 27/00
See application file for complete search history.

(56) **References Cited**
U.S. PATENT DOCUMENTS
433,321 A * 7/1890 Brandt E04G 21/00 224/44.5
2,896,993 A * 7/1959 Pollock E01H 5/02 294/54.5
D210,837 S * 4/1968 Warner 473/402
D259,111 S * 5/1981 Kinney D11/157
5,285,990 A * 2/1994 Engel
D345,640 S * 3/1994 Galati D32/49
D375,815 S * 11/1996 Kagasoff D21/793
5,588,448 A * 12/1996 Photakis A24F 13/22 131/259
D379,551 S * 5/1997 Hubbard D27/183
D385,059 S * 10/1997 Jenkins D27/183

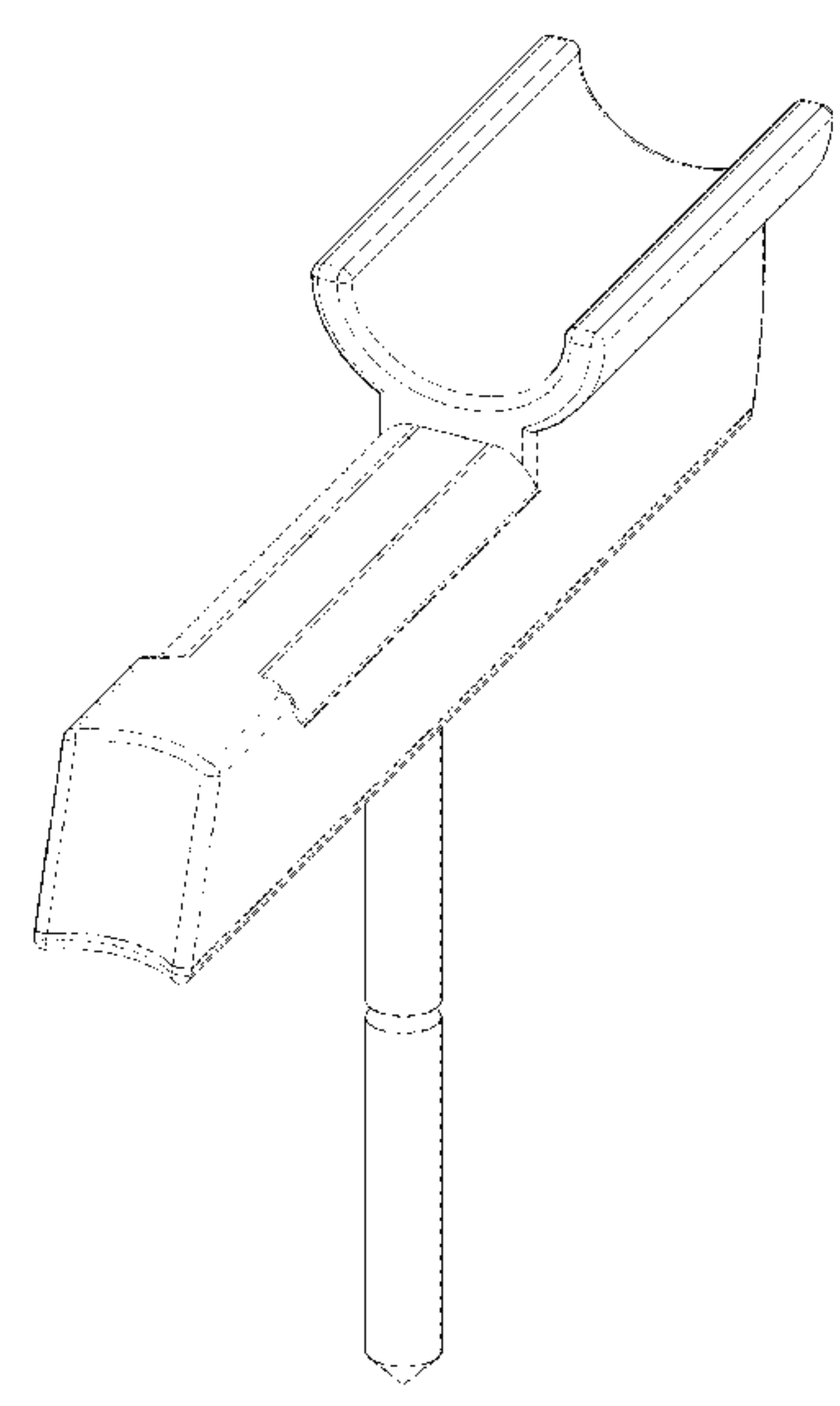
D392,410 S * 3/1998 Lukach D27/183
5,873,471 A * 2/1999 Ruggeri
D422,747 S * 4/2000 Evans
D451,636 S * 12/2001 Chang D27/183
6,346,051 B1 2/2002 Otsubo
6,497,327 B1 12/2002 Rindfleisch
D485,393 S * 1/2004 Cervantes D27/183
D508,295 S * 8/2005 Tadych D27/161
6,962,536 B2 11/2005 Hall et al.
7,000,617 B2 2/2006 Cervantes et al.
D550,898 S * 9/2007 Burkholder D27/183
D575,449 S * 8/2008 Williamson D27/183
D609,397 S * 2/2010 Fellows D21/796
7,854,664 B1 12/2010 Comrie
D651,266 S * 12/2011 Swagel D21/718
(Continued)

Primary Examiner — Marissa J Cash
(74) *Attorney, Agent, or Firm* — Hovey Williams LLP

(57) **CLAIM**
The ornamental design for a portable cigar stand, as shown and described.

DESCRIPTION
FIG. 1 is a top perspective of a portable cigar stand showing my new design;
FIG. 2 is a bottom perspective view thereof;
FIG. 3 is a front elevation view thereof;
FIG. 4 is a right elevation view thereof;
FIG. 5 is a rear elevation view thereof;
FIG. 6 is a left elevation view thereof;
FIG. 7 is a top plan view thereof; and,
FIG. 8 is a bottom plan view thereof.
In the drawings, the evenly-spaced broken lines depict portions of the portable cigar stand that form no part of the claimed design. Additionally, the dash-dot-dash broken lines depict the boundaries of the claimed design. The appearance of any portions of the portable cigar stand between the symbolic break lines shown in FIGS. 1-6 form no part of the claimed design.

1 Claim, 5 Drawing Sheets



(56)

References Cited

U.S. PATENT DOCUMENTS

D695,865 S * 12/2013 Swan D21/796
D805,249 S * 12/2017 Casalino D27/183
D807,578 S * 1/2018 Barkowski D27/170
2004/0182402 A1* 9/2004 Cervantes A24F 13/22
131/257
2006/0070634 A1* 4/2006 Brunkow A24F 19/0092
131/259
2006/0272661 A1 12/2006 Monteleone et al.
2011/0253154 A1 10/2011 Dolciato
2014/0135142 A1 5/2014 David, Sr.
2014/0353440 A1 12/2014 Campos, Jr.
2017/0000186 A1* 1/2017 Russell A24F 13/12

* cited by examiner

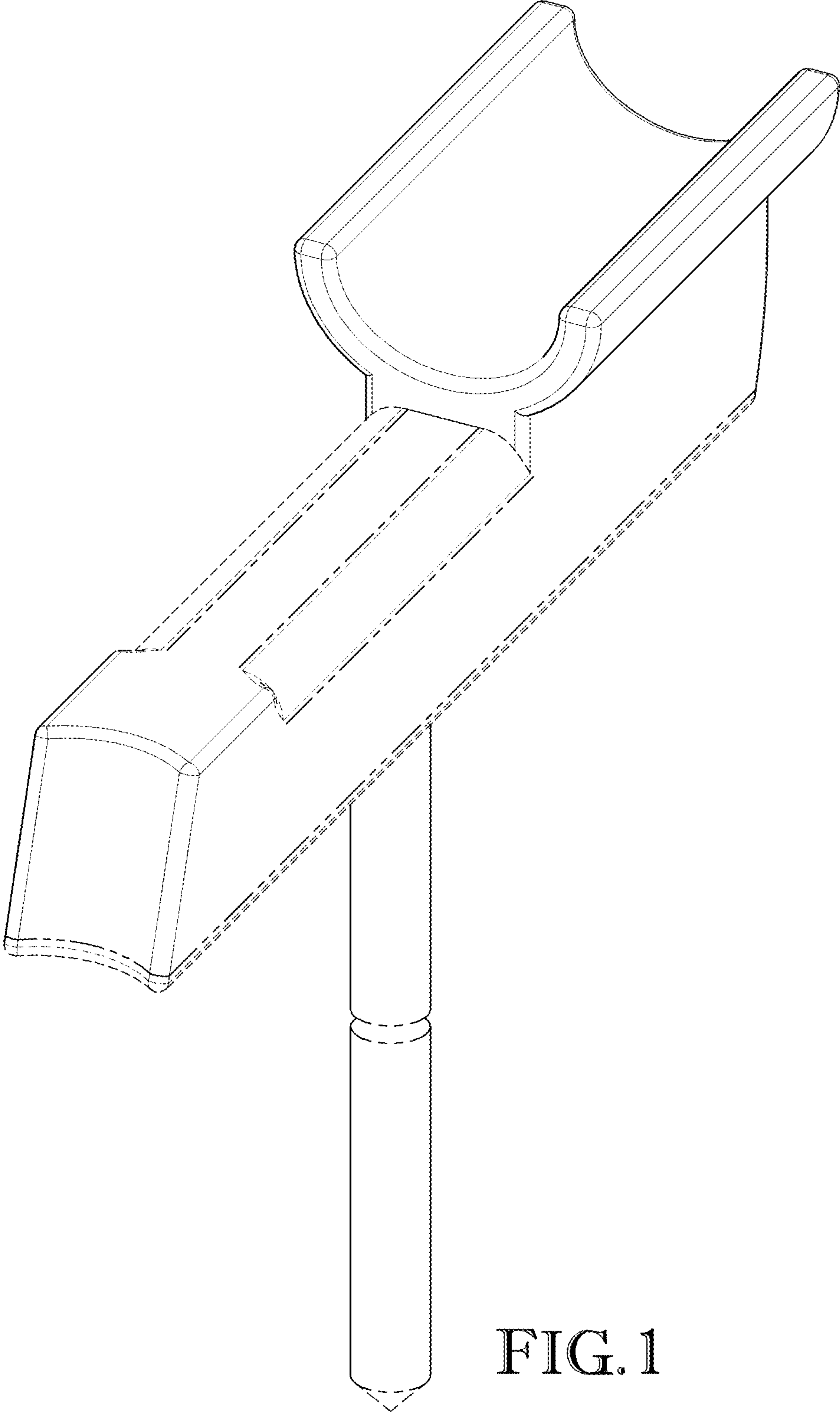


FIG. 1

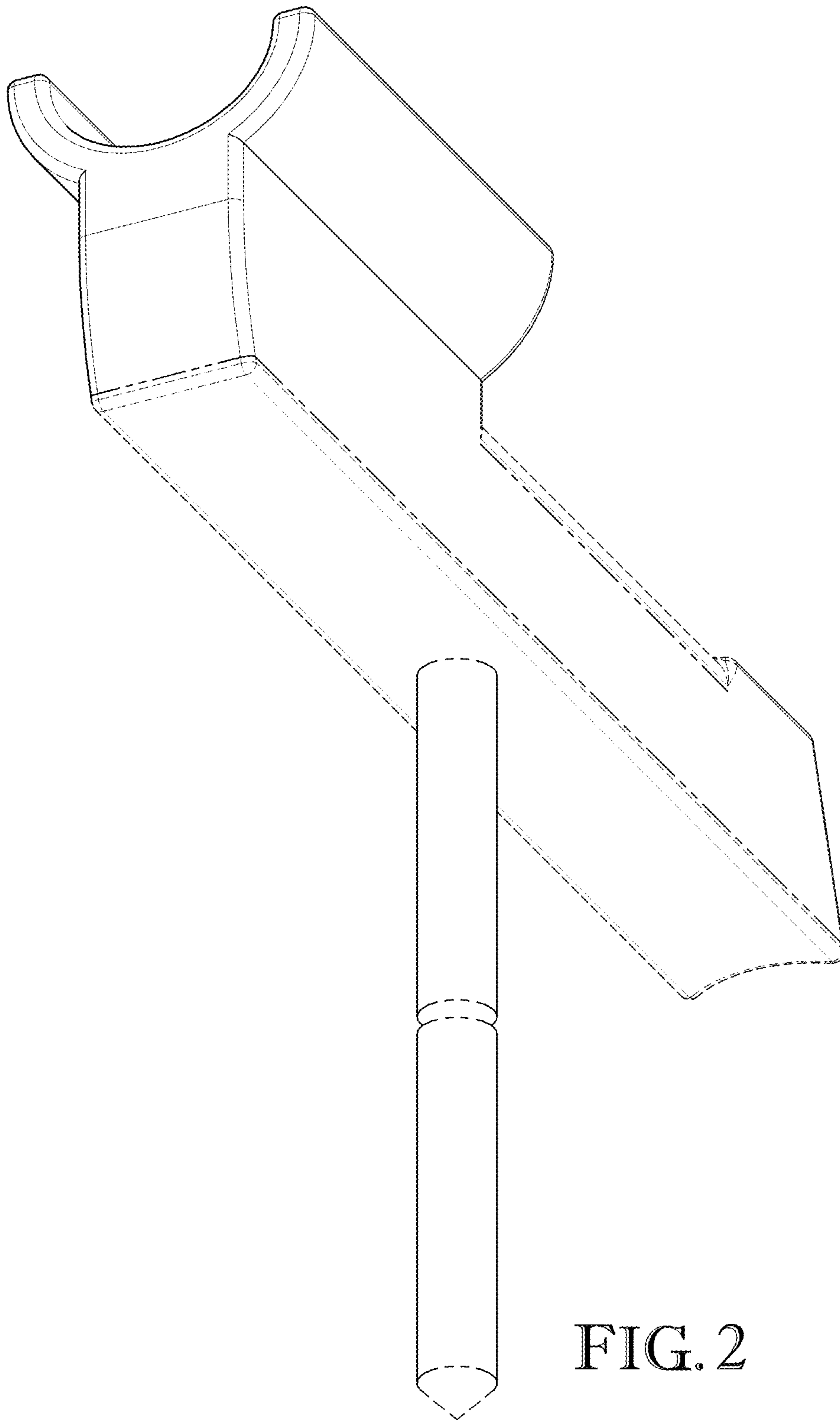


FIG. 2

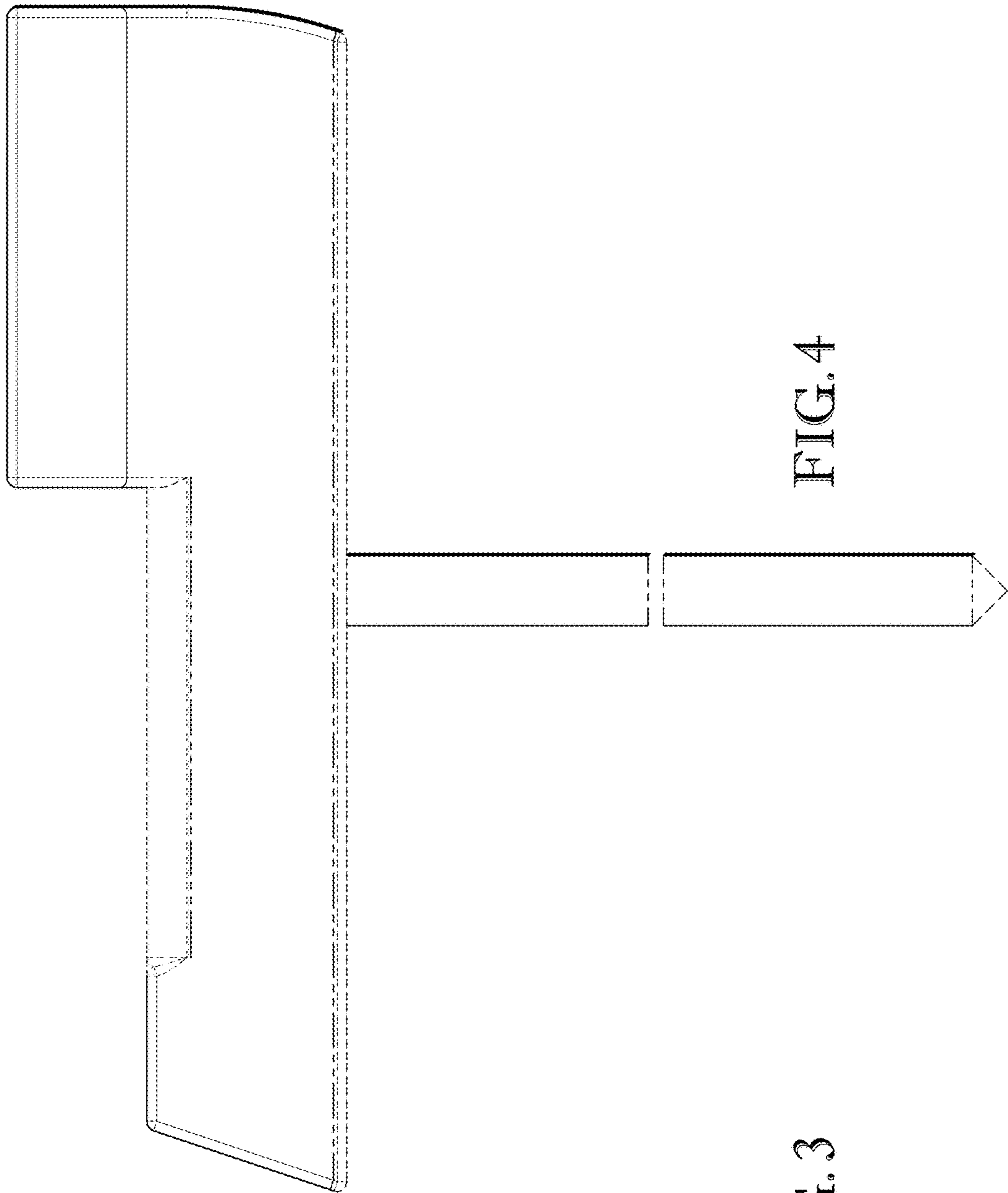


FIG. 3

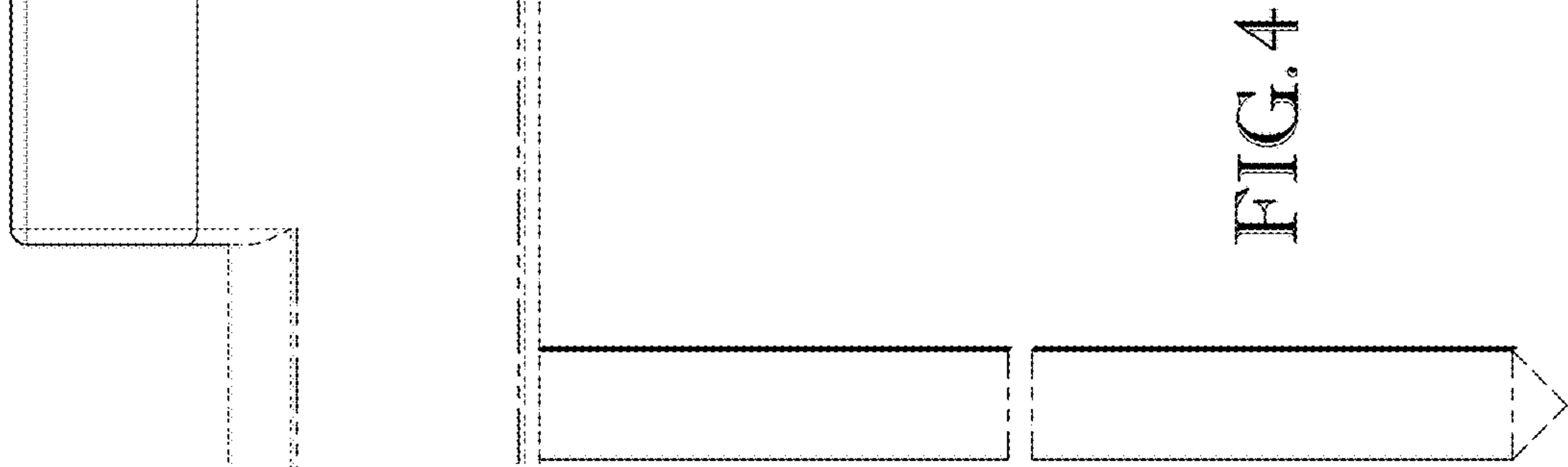


FIG. 4

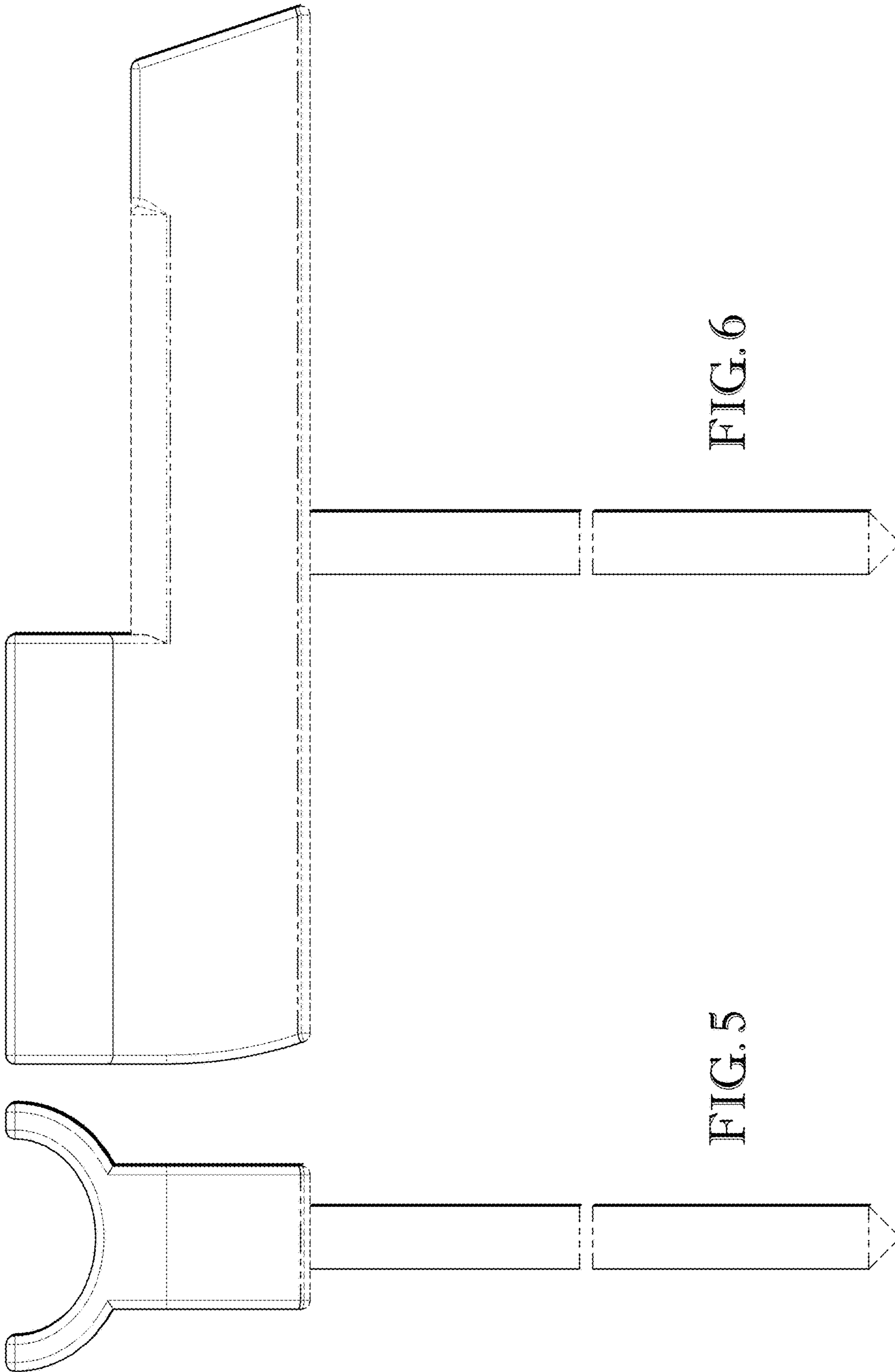


FIG. 6

FIG. 5

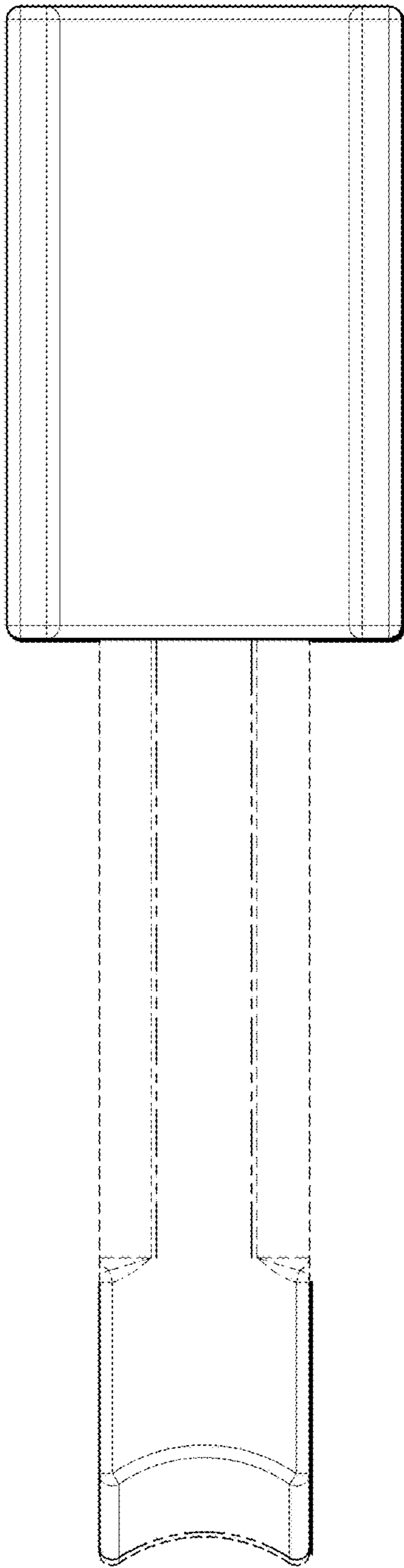


FIG. 7

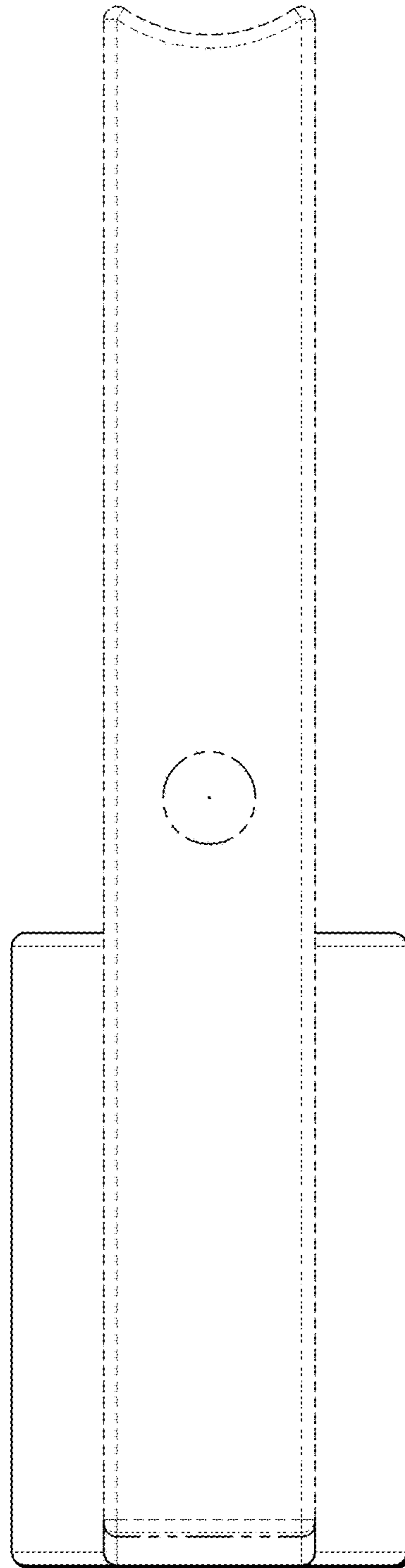


FIG. 8