

US00D844238S

(12) **United States Design Patent**
Nellestein

(10) **Patent No.:** **US D844,238 S**

(45) **Date of Patent:** **** Mar. 26, 2019**

(54) **PORTABLE CIGAR STAND**

(71) Applicant: **Michael Nellestein**, St. Joseph, MO
(US)

(72) Inventor: **Michael Nellestein**, St. Joseph, MO
(US)

(**) Term: **15 Years**

(21) Appl. No.: **29/563,029**

(22) Filed: **May 2, 2016**

(51) **LOC (11) Cl.** **27-06**

(52) **U.S. Cl.**
USPC **D27/183**

(58) **Field of Classification Search**
USPC D27/102, 103, 108, 110, 125, 128, 129,
D27/133, 134, 135, 137, 138, 172, 173,
D27/175, 180, 183
CPC A24F 19/00; A24F 19/10; A24F 19/0014;
A24F 19/0035; A24F 19/64; A24F 19/78;
A24F 13/00; A24F 13/18; A24F 13/22;
A24F 27/00

See application file for complete search history.

(56) **References Cited**

U.S. PATENT DOCUMENTS

433,321	A	*	7/1890	Brandt	E04G 21/00 224/44.5
2,896,993	A	*	7/1959	Pollock	E01H 5/02 294/54.5
D210,837	S	*	4/1968	Warner	473/402
D259,111	S	*	5/1981	Kinney	D11/157
5,285,990	A		2/1994	Engel		
D345,640	S	*	3/1994	Galati	D32/49
D375,815	S	*	11/1996	Kagasoff	D21/793
5,588,448	A	*	12/1996	Photakis	A24F 13/22 131/259
D379,551	S	*	5/1997	Hubbard	D27/183
D385,059	S	*	10/1997	Jenkins	D27/183

D392,410	S	*	3/1998	Lukach	D27/183
5,873,471	A		2/1999	Ruggeri		
D422,747	S		4/2000	Evans		
D451,636	S	*	12/2001	Chang	D27/183
6,346,051	B1		2/2002	Otsubo		
6,497,327	B1		12/2002	Rindfleisch		
D485,393	S	*	1/2004	Cervantes	D27/183
D508,295	S	*	8/2005	Tadych	D27/161
6,962,536	B2		11/2005	Hall et al.		
7,000,617	B2		2/2006	Cervantes et al.		
D550,898	S	*	9/2007	Burkholder	D27/183
D575,449	S	*	8/2008	Williamson	D27/183
D609,397	S	*	2/2010	Fellows	D21/796
7,854,664	B1		12/2010	Comrie		
D651,266	S	*	12/2011	Swagel	D21/718

(Continued)

Primary Examiner — Marissa J Cash

(74) *Attorney, Agent, or Firm* — Hovey Williams LLP

(57) **CLAIM**

The ornamental design for a portable cigar stand, as shown and described.

DESCRIPTION

FIG. 1 is a top perspective of a portable cigar stand showing my new design;

FIG. 2 is a bottom perspective view thereof;

FIG. 3 is a front elevation view thereof;

FIG. 4 is a right elevation view thereof;

FIG. 5 is a rear elevation view thereof;

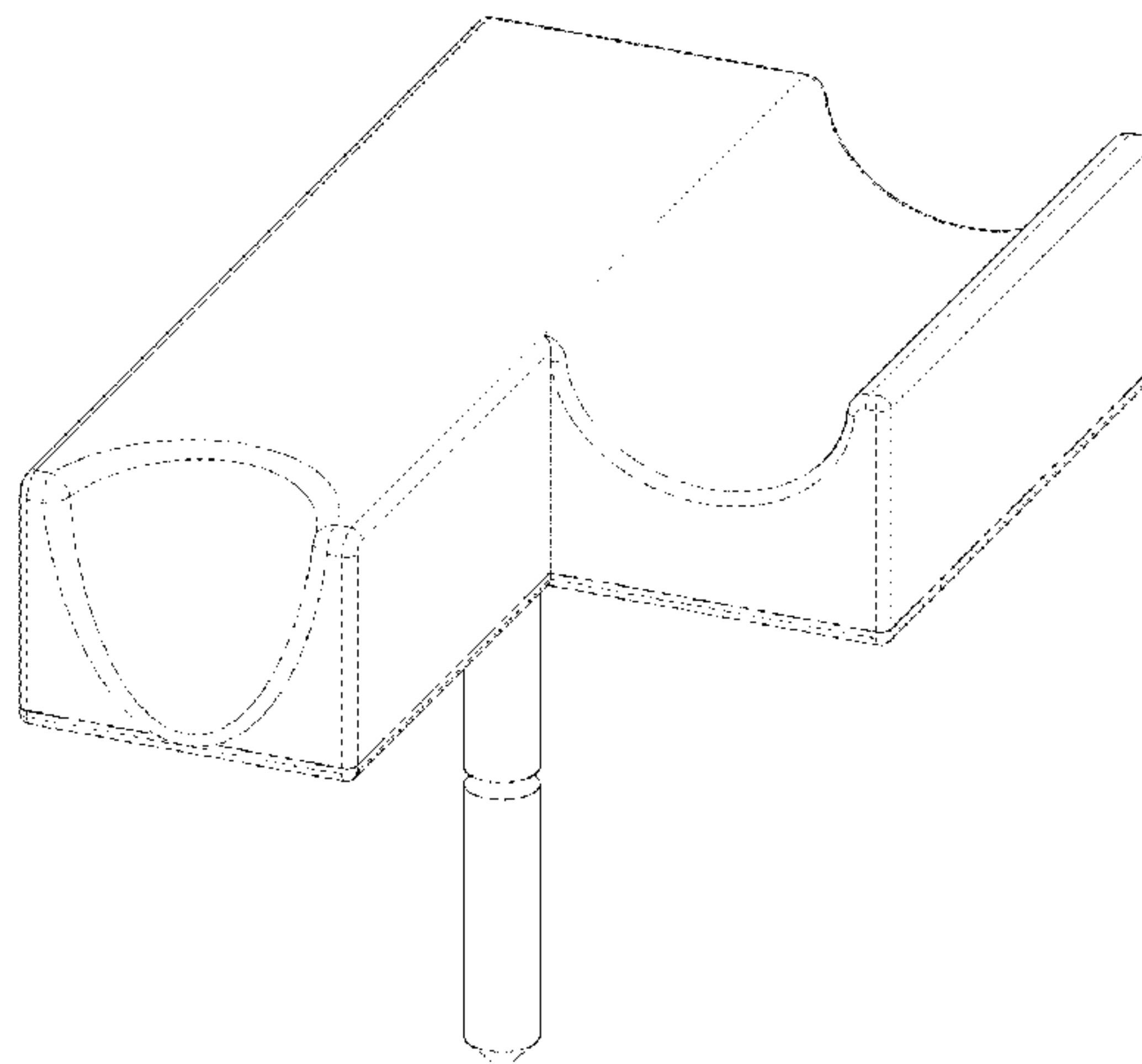
FIG. 6 is a left elevation view thereof;

FIG. 7 is a top plan view thereof; and,

FIG. 8 is a bottom plan view thereof.

In the drawings, the evenly-spaced broken lines depict portions of the portable cigar stand that form no part of the claimed design. Additionally, the dash-dot-dash broken lines depict the boundaries of the claimed design. The appearance of any portions of the portable cigar stand between the symbolic break lines shown in FIGS. 1-6 form no part of the claimed design.

1 Claim, 5 Drawing Sheets



(56)

References Cited

U.S. PATENT DOCUMENTS

D695,865 S * 12/2013 Swan D21/796
D805,249 S * 12/2017 Casalino D27/183
D807,578 S * 1/2018 Barkowski D27/170
2004/0182402 A1* 9/2004 Cervantes A24F 13/22
131/257
2006/0070634 A1* 4/2006 Brunkow A24F 19/0092
131/259
2006/0272661 A1 12/2006 Monteleone et al.
2011/0253154 A1 10/2011 Dolciato
2014/0135142 A1 5/2014 David, Sr.
2014/0353440 A1 12/2014 Campos, Jr.
2017/0000186 A1* 1/2017 Russell A24F 13/12

* cited by examiner

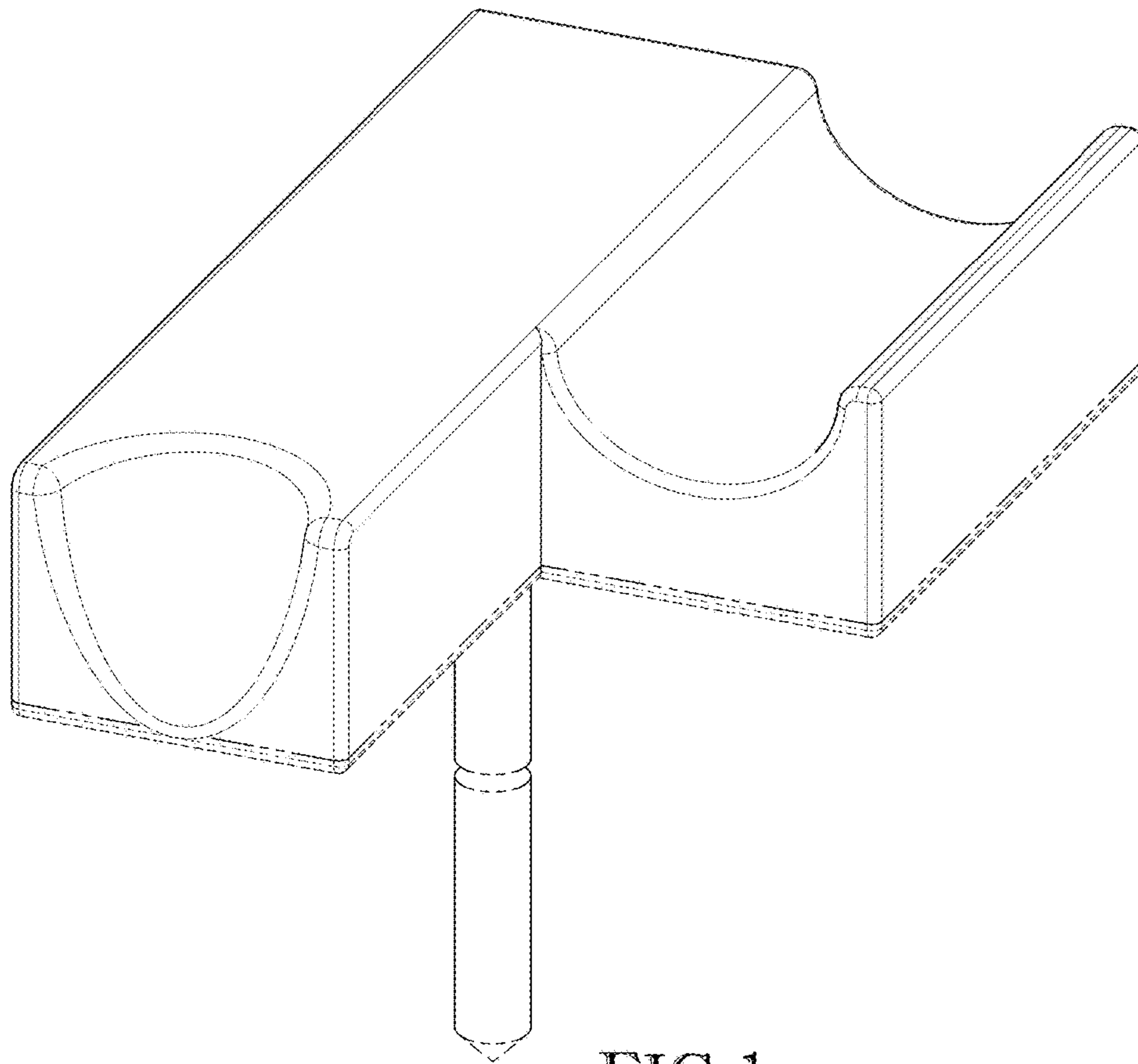


FIG. 1

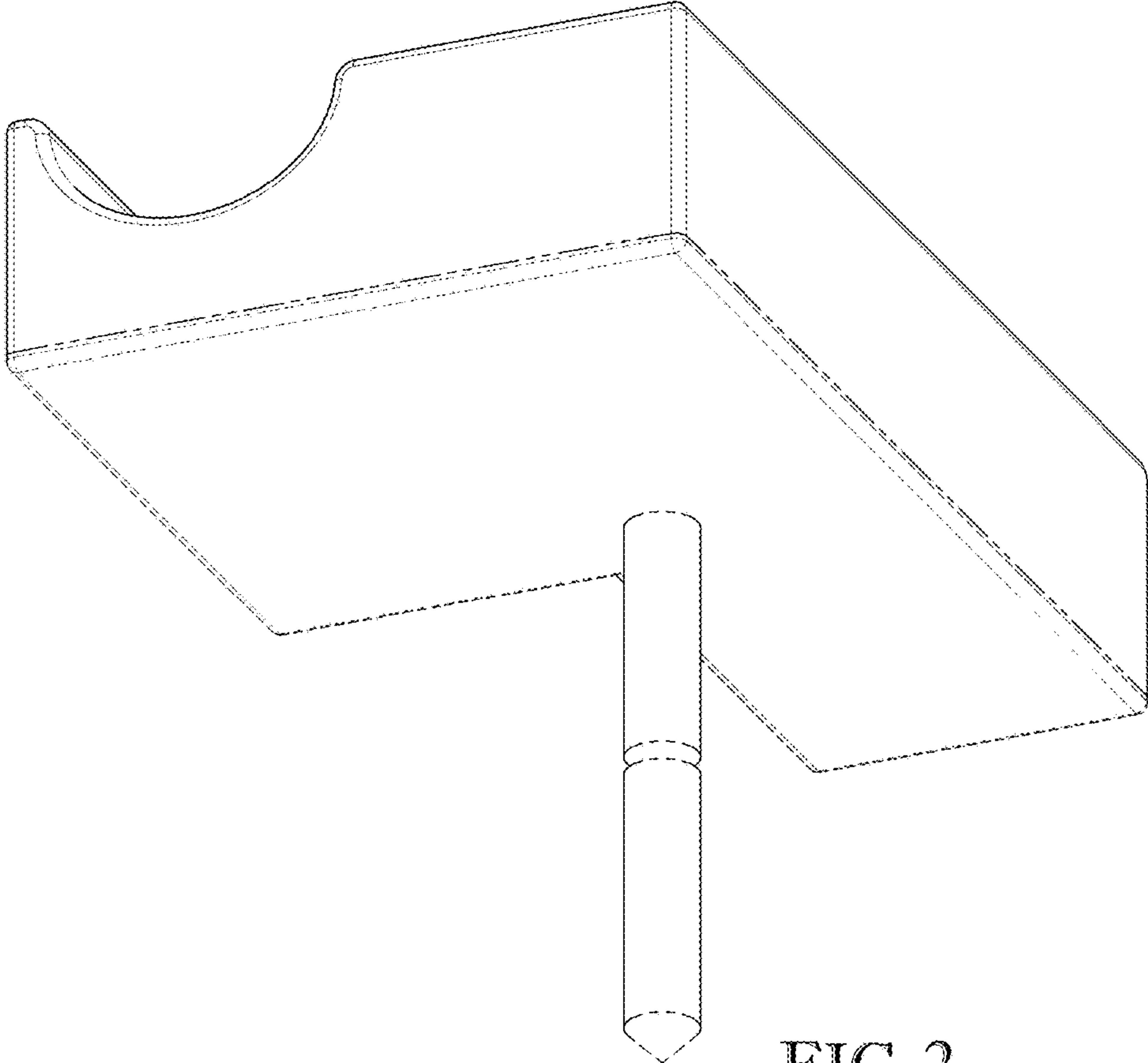


FIG. 2

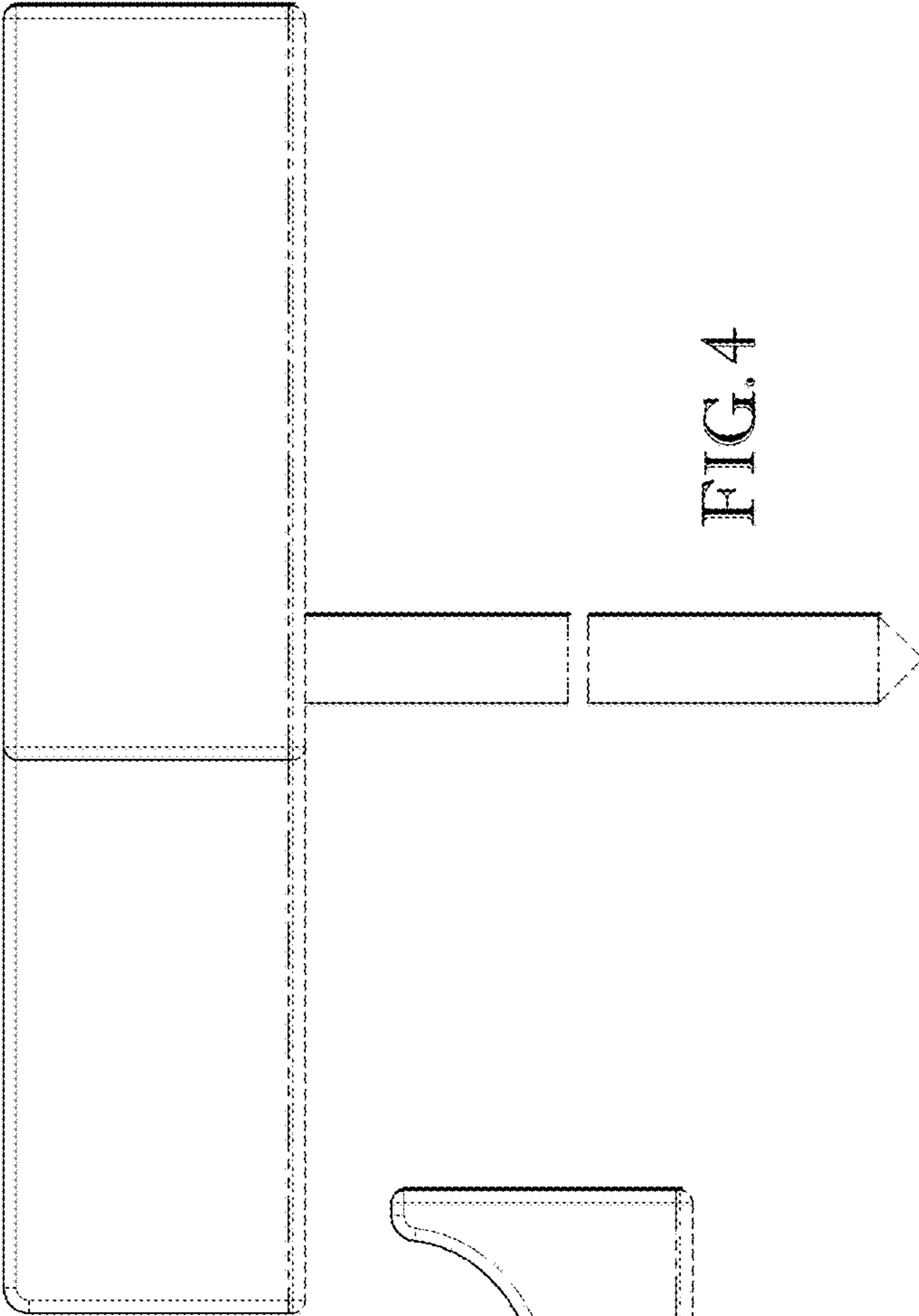


FIG. 4

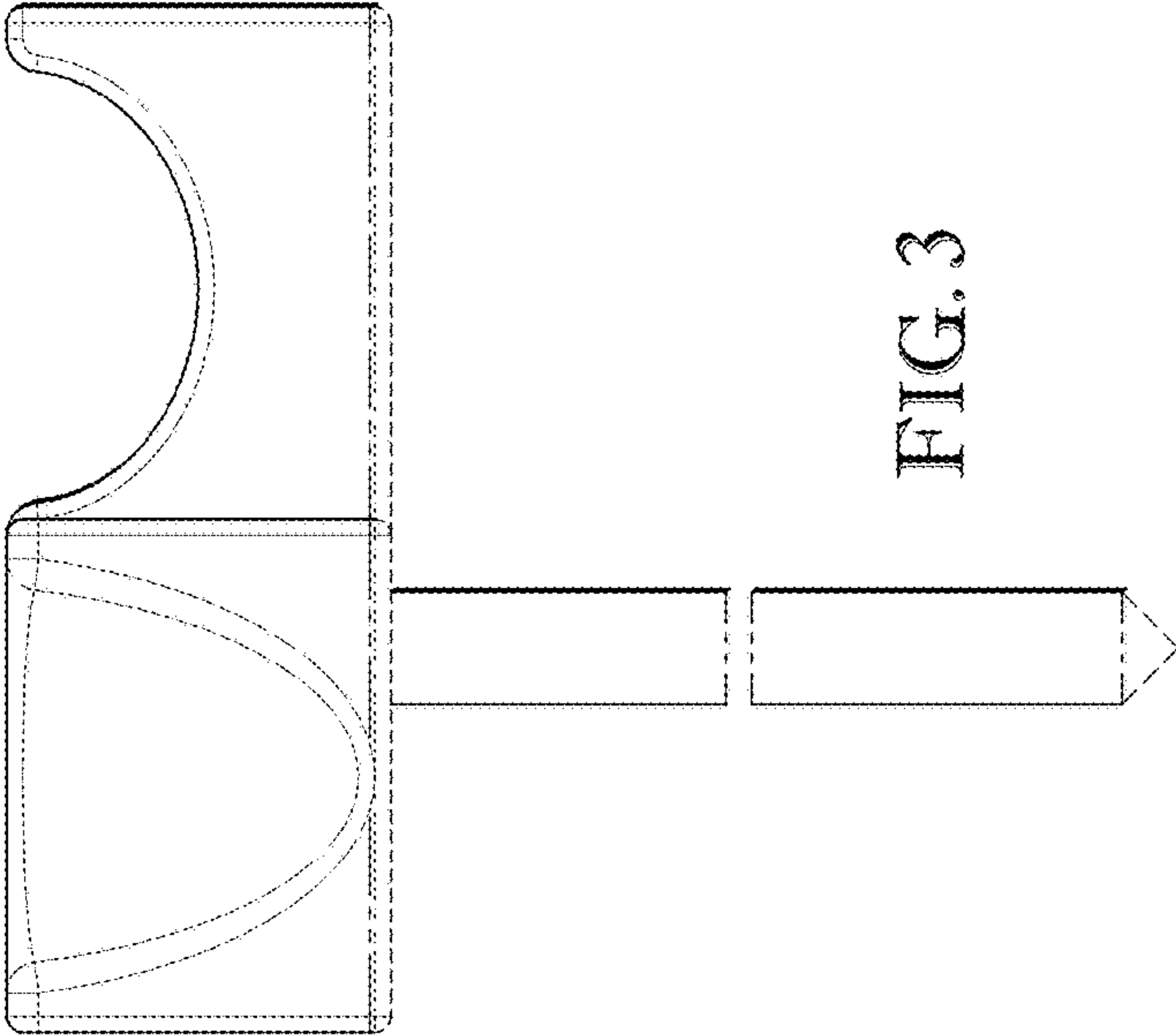


FIG. 3

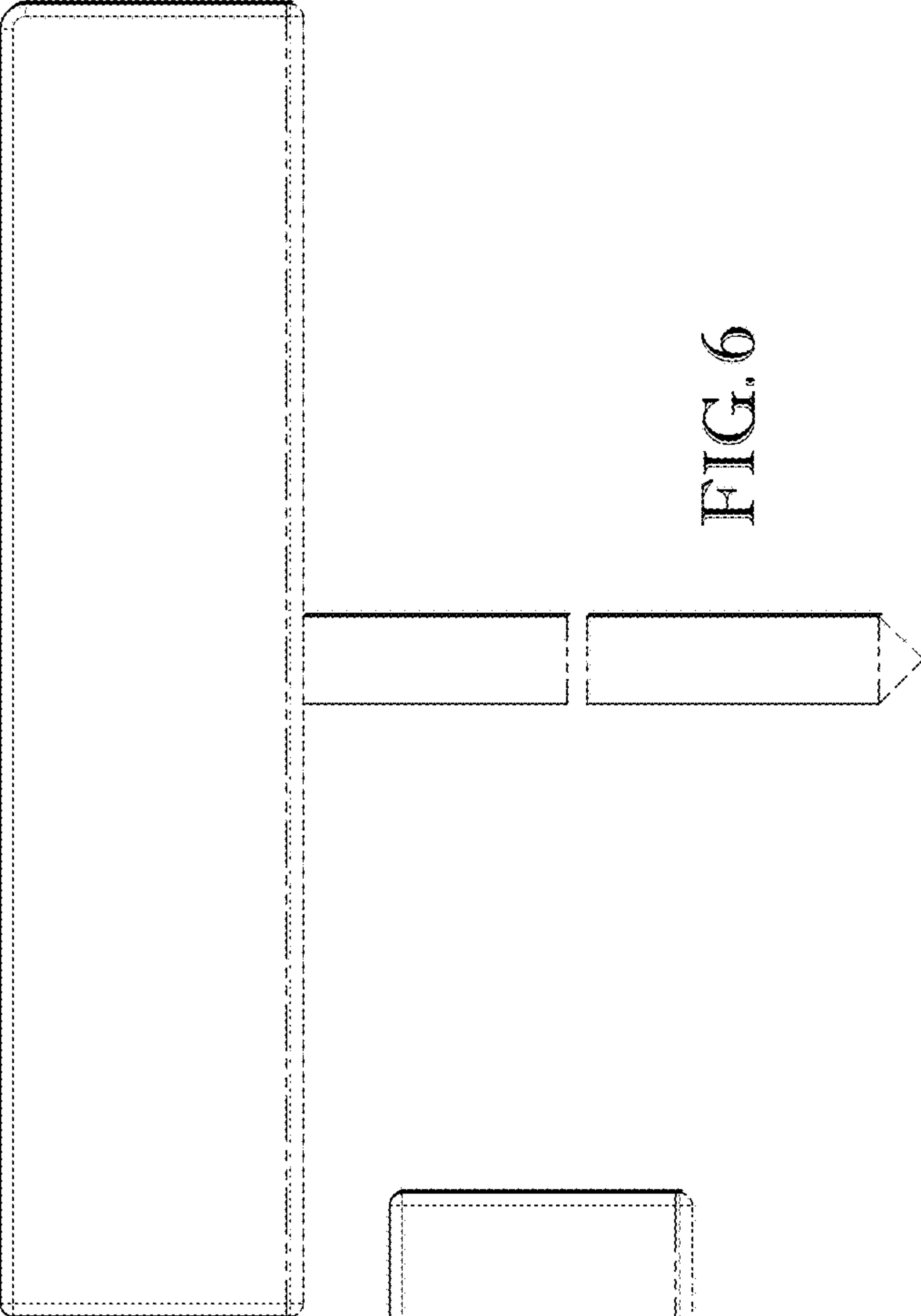


FIG. 6

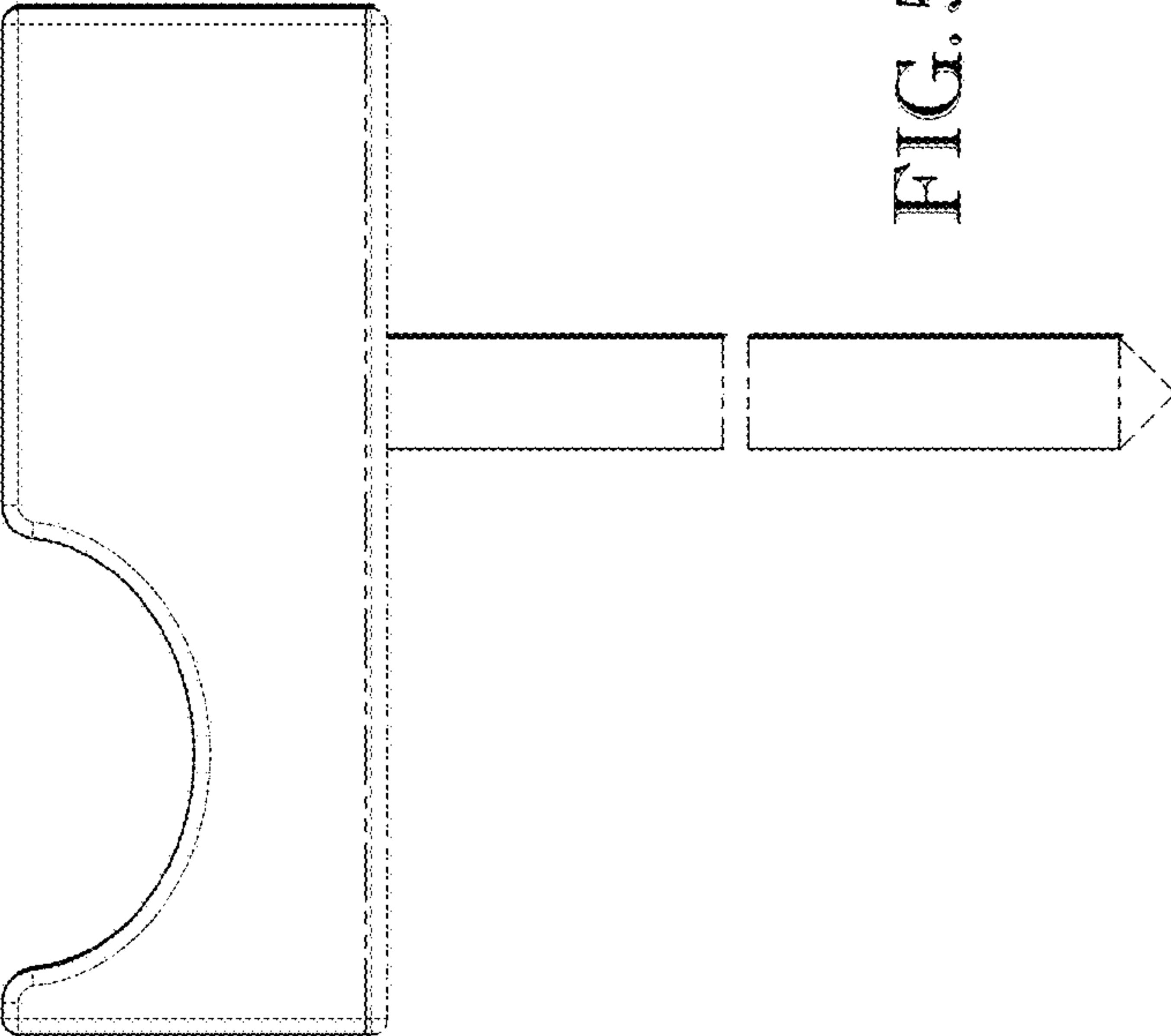


FIG. 5

