



US00D844237S

(12) **United States Design Patent** (10) **Patent No.:** **US D844,237 S**
Eck (45) **Date of Patent:** **** Mar. 26, 2019**

(54) **LIGHTER HOLDER**

DESCRIPTION

(71) Applicant: **Vincent Marcel Eck**, Phoenix, AZ (US)
(72) Inventor: **Vincent Marcel Eck**, Phoenix, AZ (US)
(**) Term: **15 Years**
(21) Appl. No.: **29/628,058**
(22) Filed: **Dec. 1, 2017**
(51) **LOC (11) Cl.** **27-06**
(52) **U.S. Cl.**
USPC **D27/172**
(58) **Field of Classification Search**
USPC D27/100, 101, 139-161, 162-196;
D24/110; D3/273, 215; D15/142,
D15/144-144.2; D12/174, 179;
D9/445-446, 563, 516, 549; D7/316,
D7/318; D8/105, 396, 356
CPC .. A24F 15/00; A24F 9/16; A24F 15/18; A24F
13/20; A24B 15/167; F16B 45/02; F23Q
2/36
See application file for complete search history.

FIG. 1 illustrates a perspective view of an assembled view of the lighter holder with a lighter as environment;
FIG. 2 illustrates a perspective view of an assembled view of the lighter holder;
FIG. 3 illustrates a front view of an assembled view of the lighter holder;
FIG. 4 illustrates a back view of an assembled view of the lighter holder;
FIG. 5 illustrates a right side view of an assembled view of the lighter holder;
FIG. 6 illustrates a left side view of an assembled view of the lighter holder;
FIG. 7 illustrates a top view of an assembled view of the lighter holder;
FIG. 8 illustrates a bottom view of an assembled view of the lighter holder;
FIG. 9 illustrates a perspective view of an exploded view of the lighter holder;
FIG. 10 illustrates a front view of an exploded view of the lighter holder;
FIG. 11 illustrates a back view of an exploded view of the lighter holder;
FIG. 12 illustrates a right side view of an exploded view of the lighter holder;
FIG. 13 illustrates a left side view of an exploded view of the lighter holder;
FIG. 14 illustrates a top view of an exploded view of the lighter holder;
FIG. 15 illustrates a bottom view of an exploded view of the lighter holder; and,
FIG. 16 illustrates a cross-section view of an exploded view of the lighter holder.
The broken lines showing of a lighter in FIG. 1 is for the purpose of illustrating environment and forms no part of the claimed design. All other broken lines are for the purpose of illustrating portions of the lighter holder that form no part of the claimed design.

(56) **References Cited**

U.S. PATENT DOCUMENTS

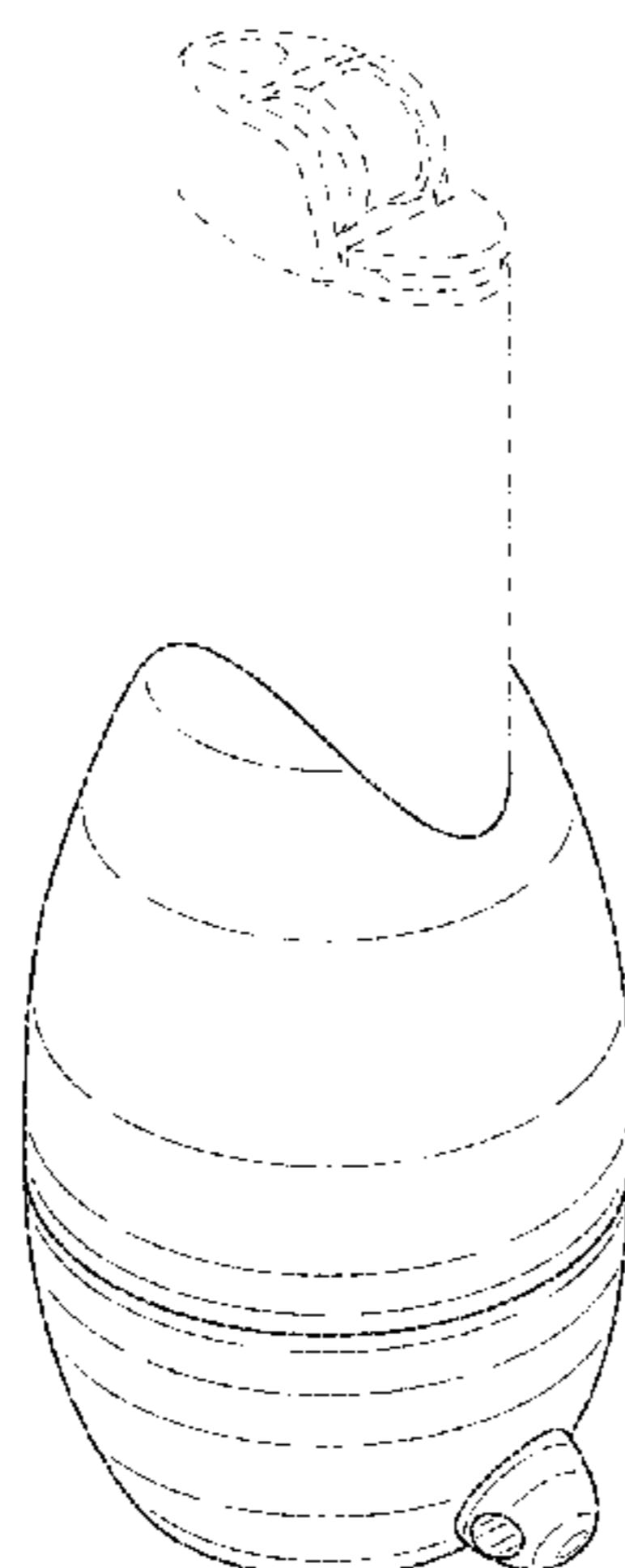
D247,316 S * 2/1978 Beeson D27/160
D267,590 S * 1/1983 Varma D27/161
D283,734 S * 5/1986 Parren D27/153
4,625,861 A * 12/1986 Krog F23Q 2/36
206/234
D402,401 S * 12/1998 Duke D27/161
(Continued)

Primary Examiner — Marissa J Cash
(74) *Attorney, Agent, or Firm* — Snell & Wilmer, L.L.P.

(57) **CLAIM**

The ornamental design for the lighter holder, as shown and described.

1 Claim, 14 Drawing Sheets



(56)

References Cited

U.S. PATENT DOCUMENTS

5,934,894 A * 8/1999 Cigler A24F 13/20
131/249
D447,834 S * 9/2001 Chen D27/157
D527,139 S * 8/2006 Deahl D27/129
D563,041 S * 2/2008 Luo D27/161
D631,191 S * 1/2011 Luo D27/161
D663,892 S * 7/2012 Arcos Bellvehi D27/172
D729,442 S * 5/2015 Albers D27/161
D735,935 S * 8/2015 Burrell D27/183
D752,806 S * 3/2016 Barton D27/161
D757,357 S * 5/2016 Helfrich D27/167
D801,579 S * 10/2017 Nyaggah D27/183
2009/0145448 A1 * 6/2009 Worlock A24F 13/18
131/185
2013/0022933 A1 * 1/2013 Beard F23Q 2/32
431/253

* cited by examiner

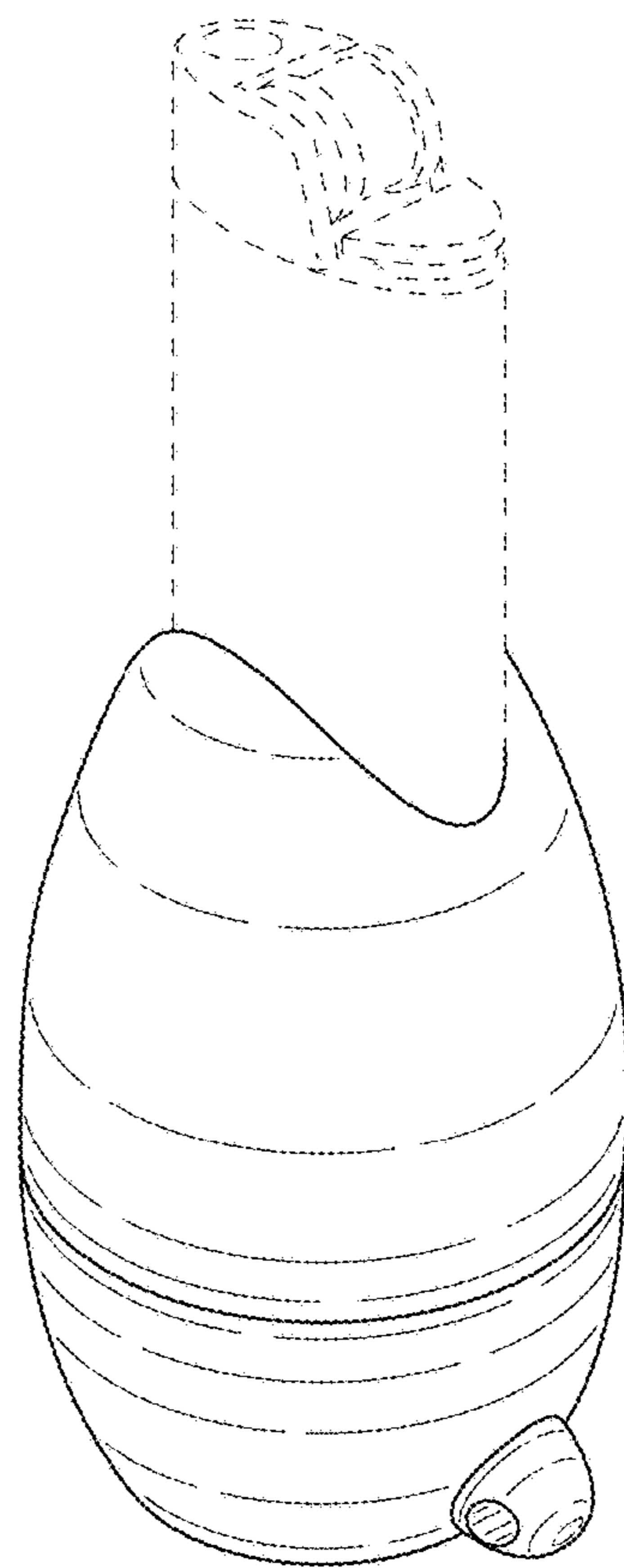


FIG. 1

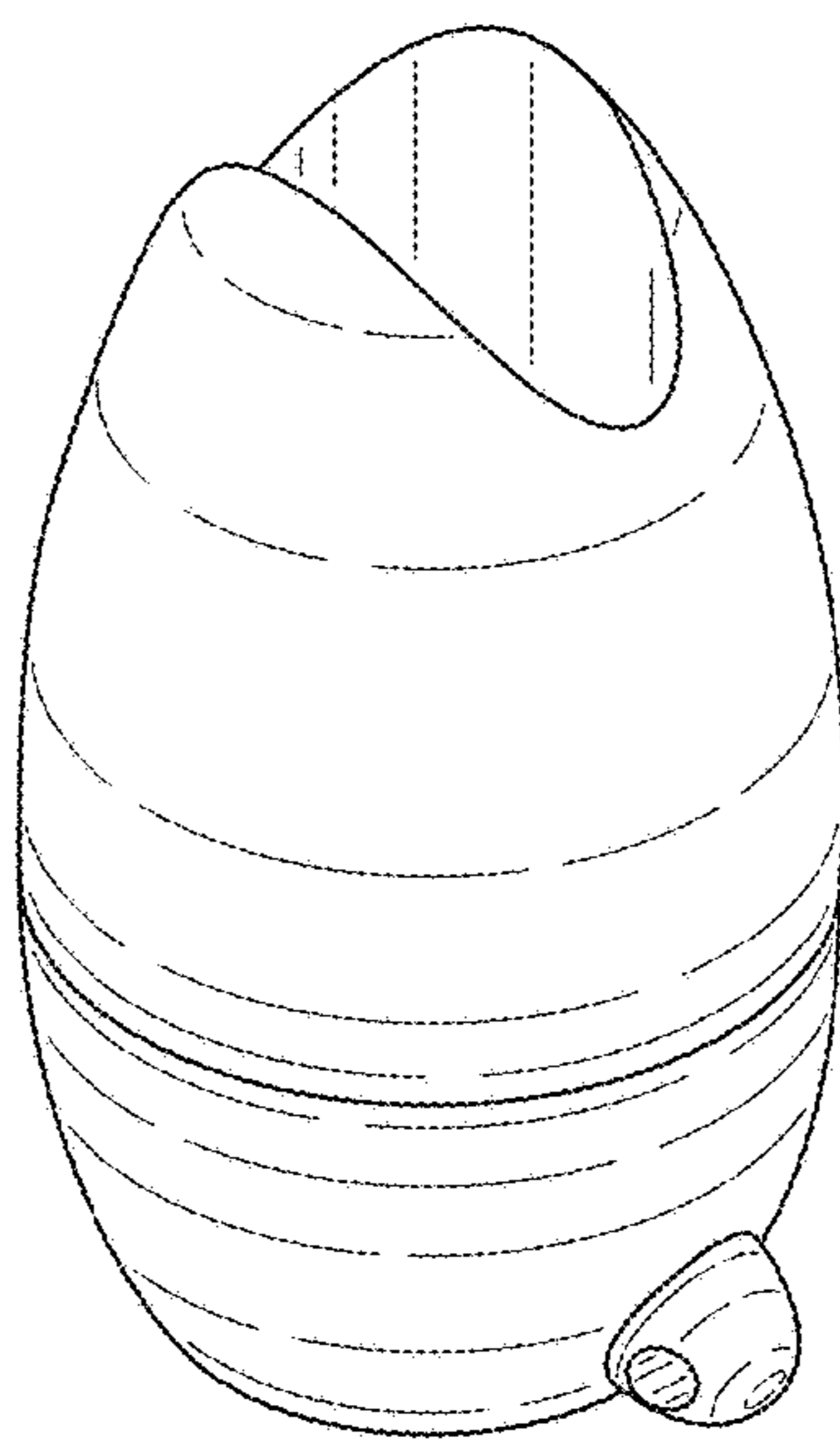


FIG.2

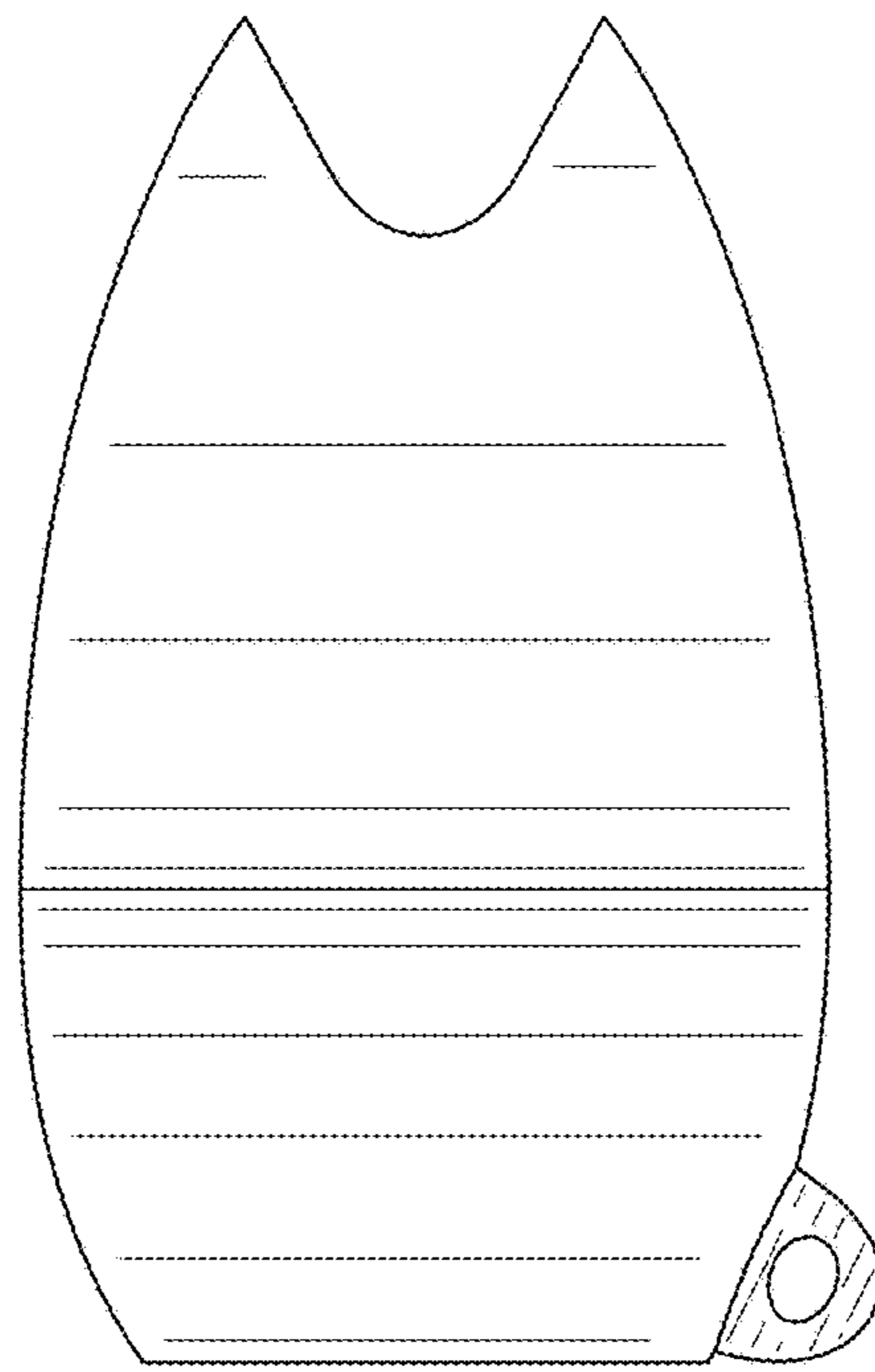


FIG.3

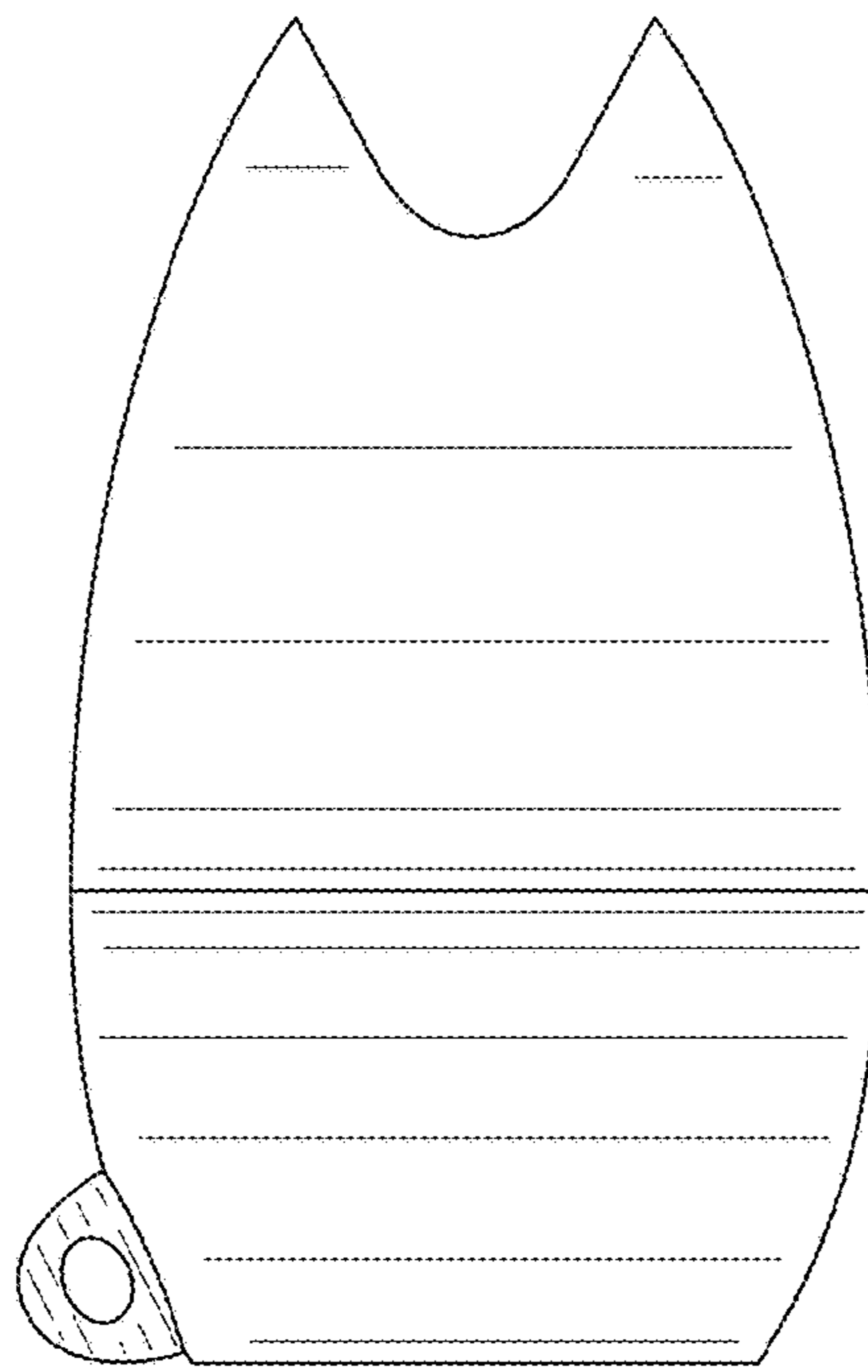


FIG. 4

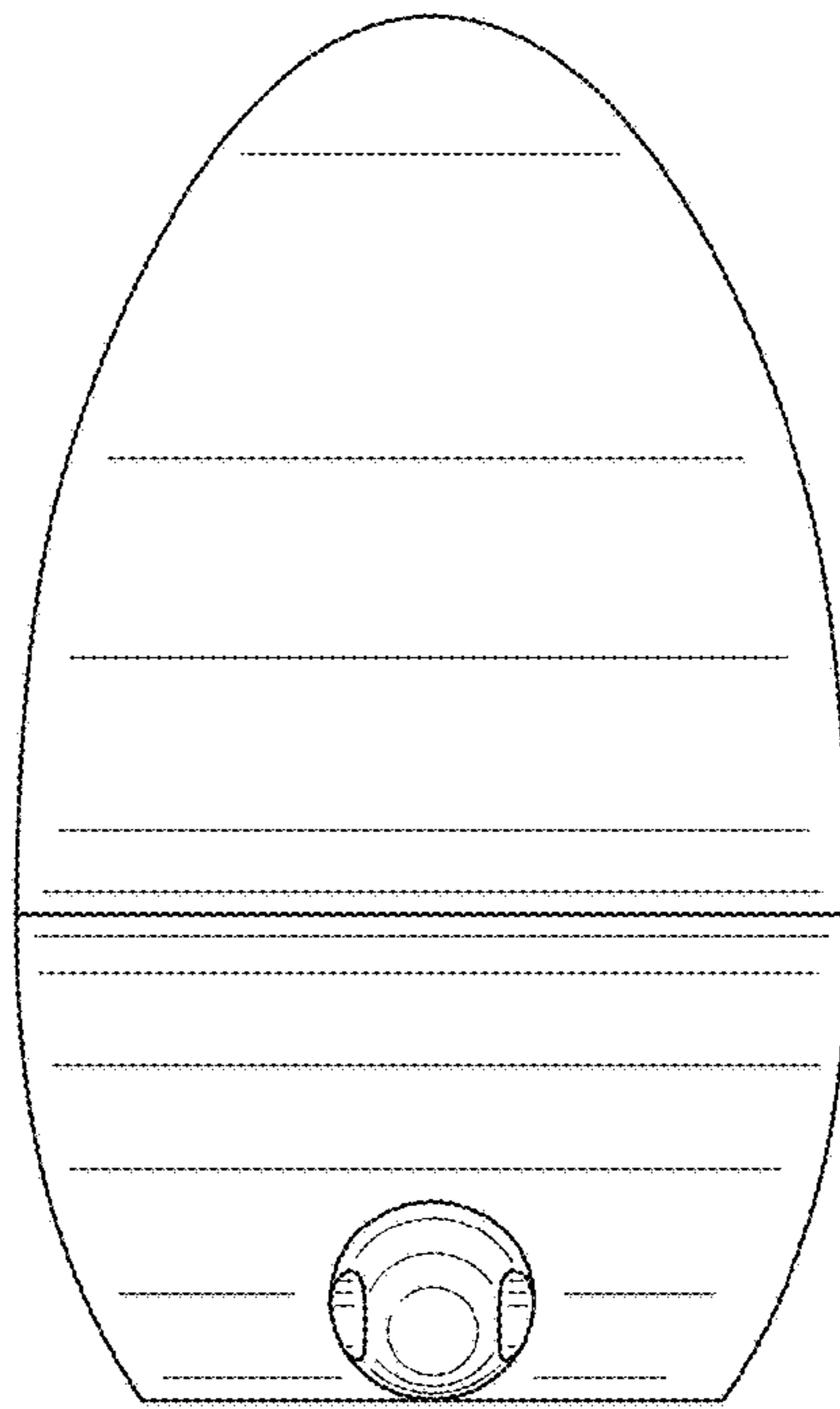


FIG. 5

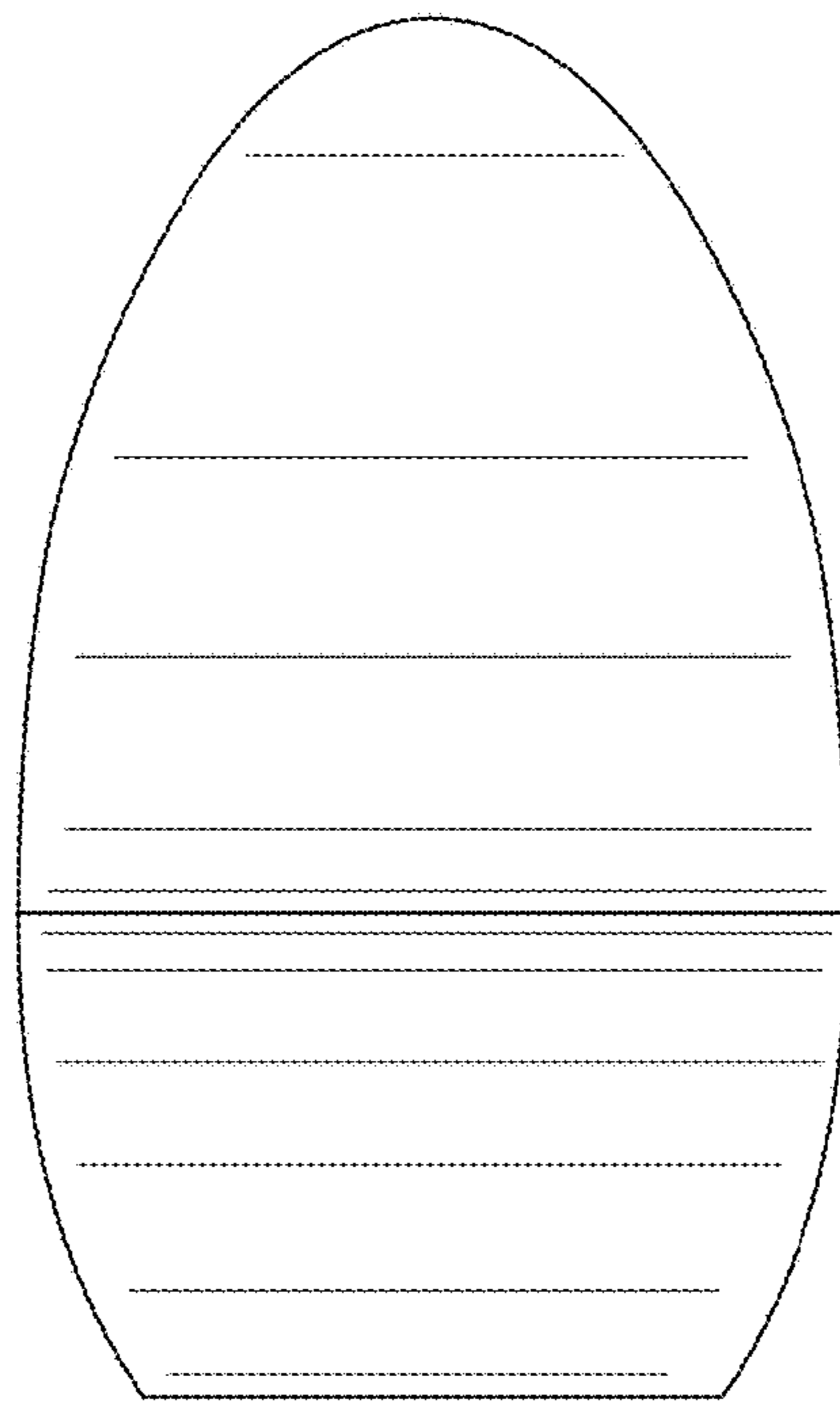


FIG. 6

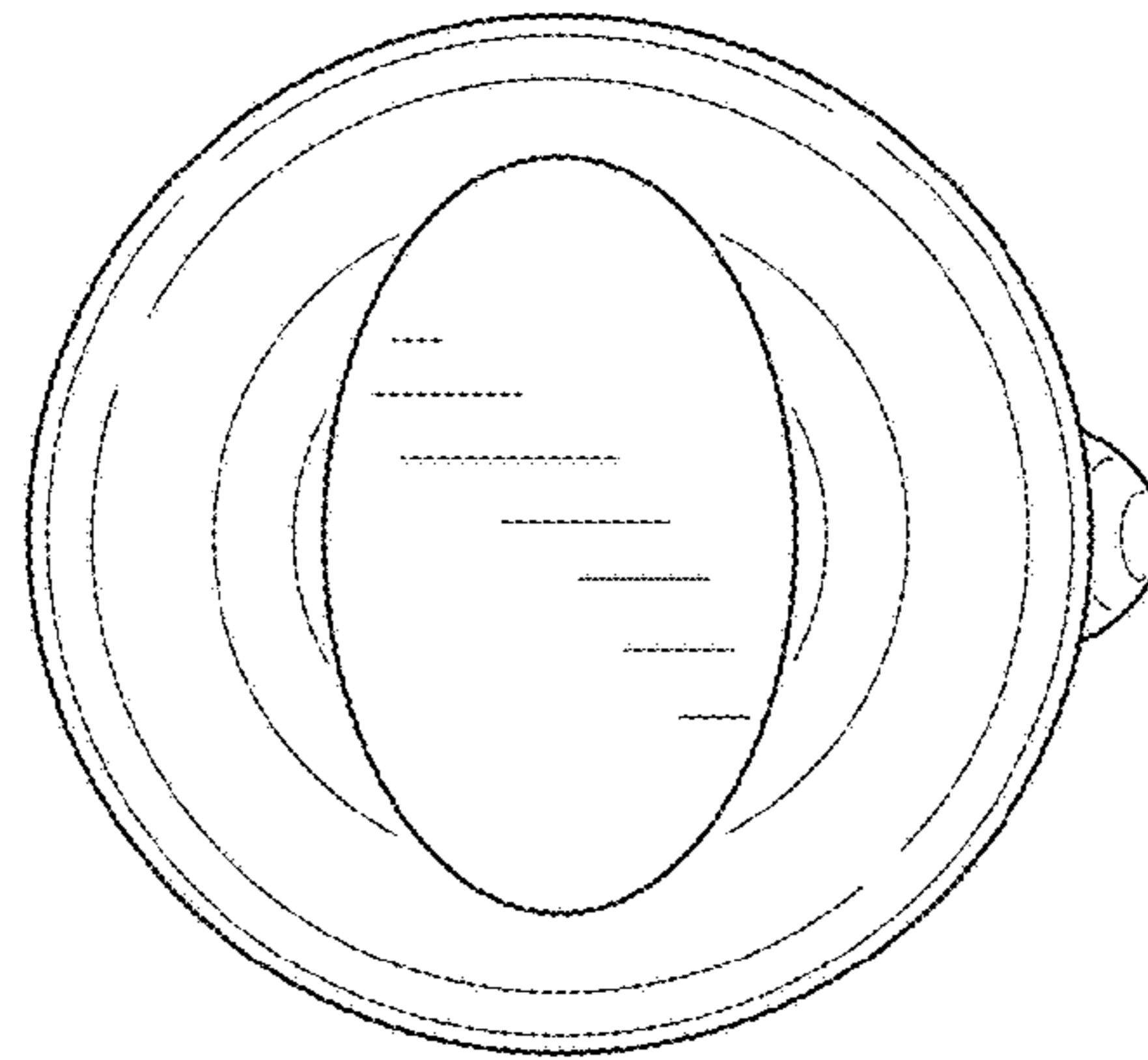


FIG. 7

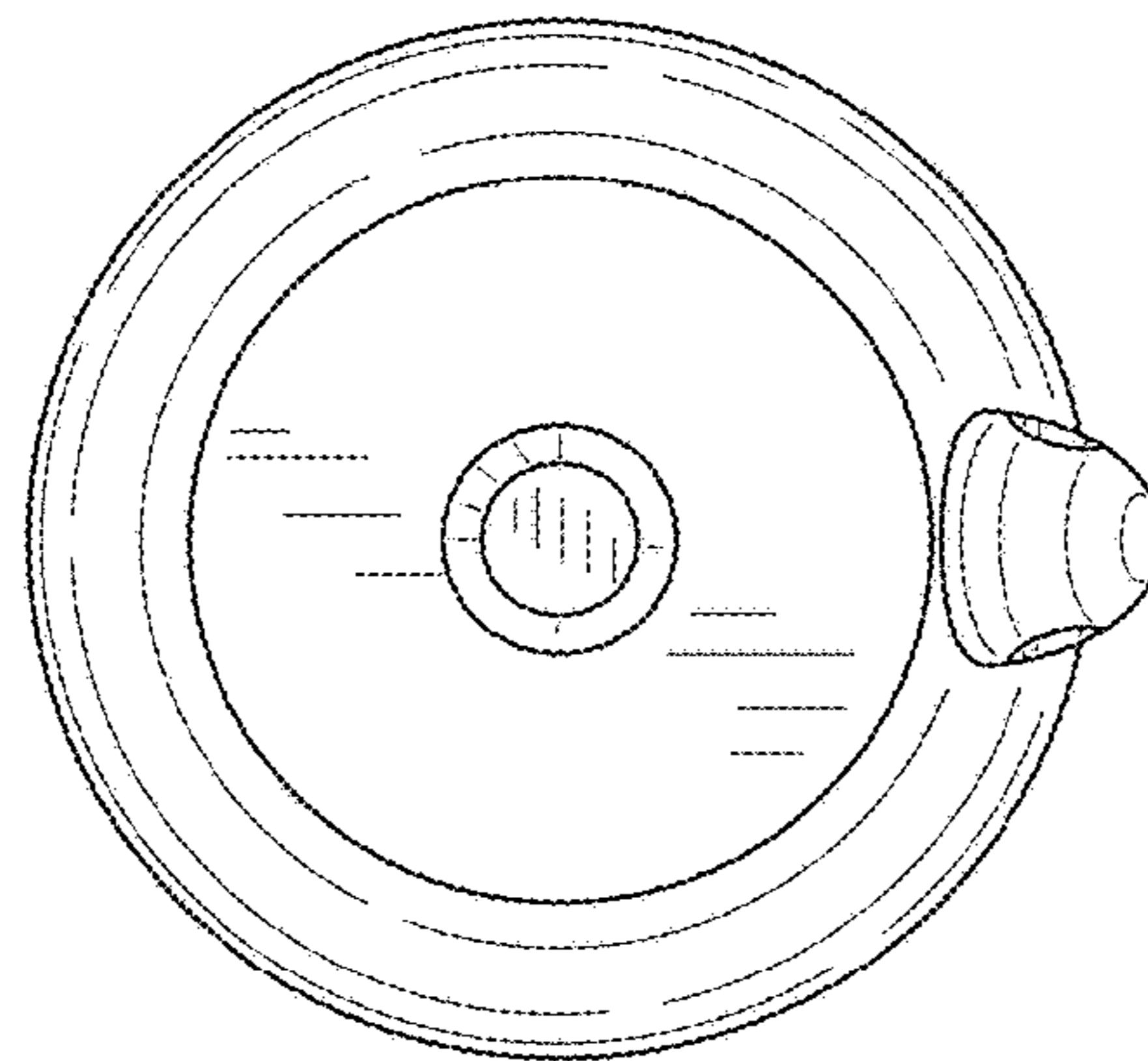


FIG. 8

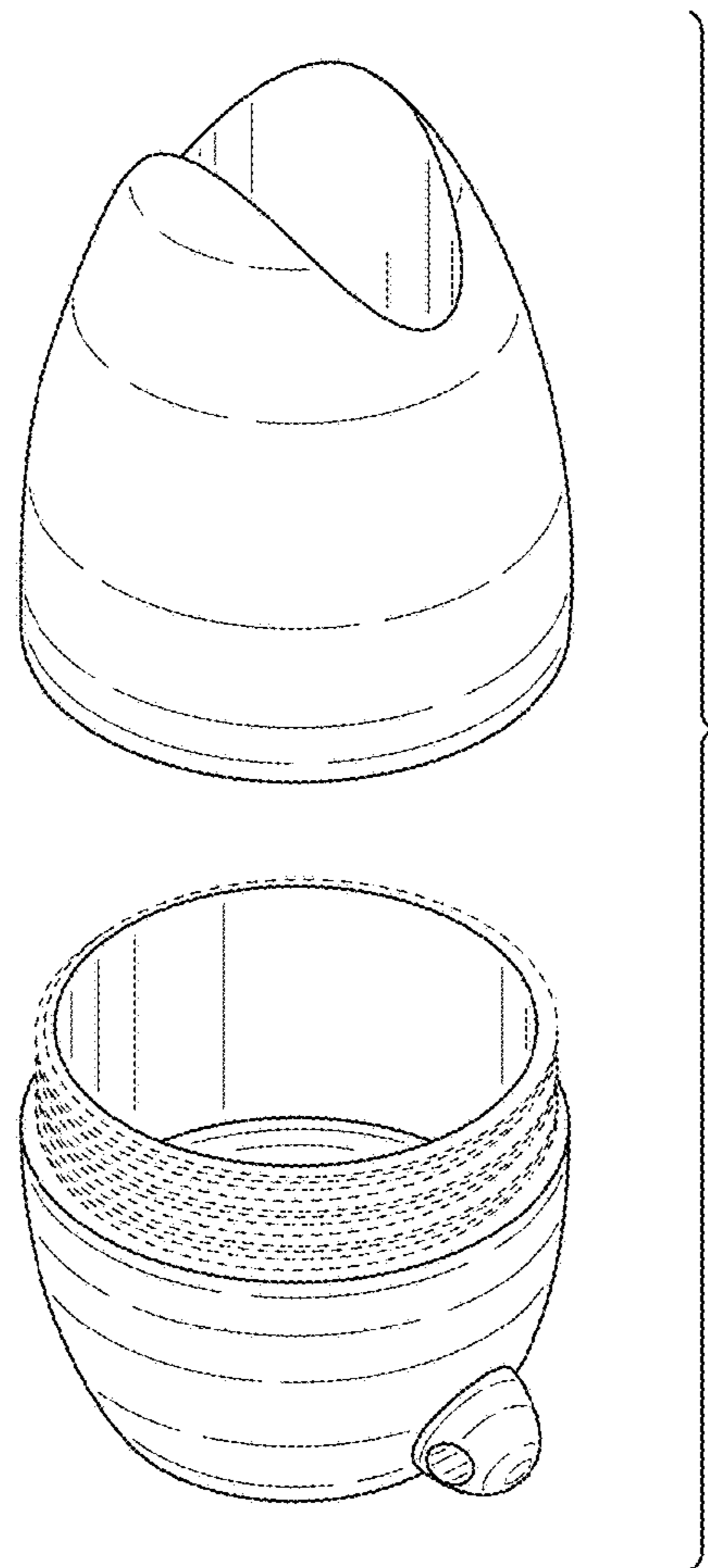


FIG.9

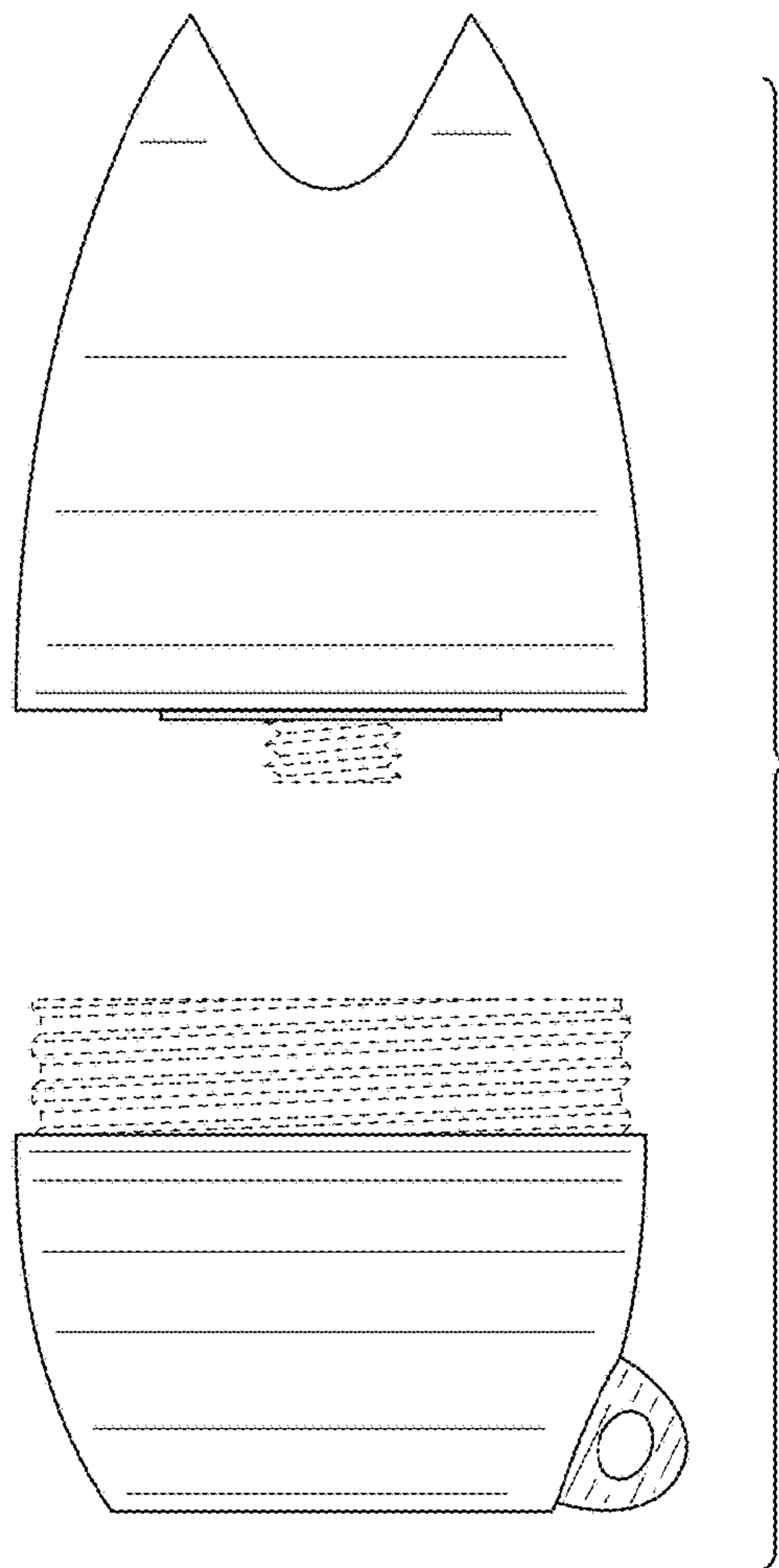


FIG.10

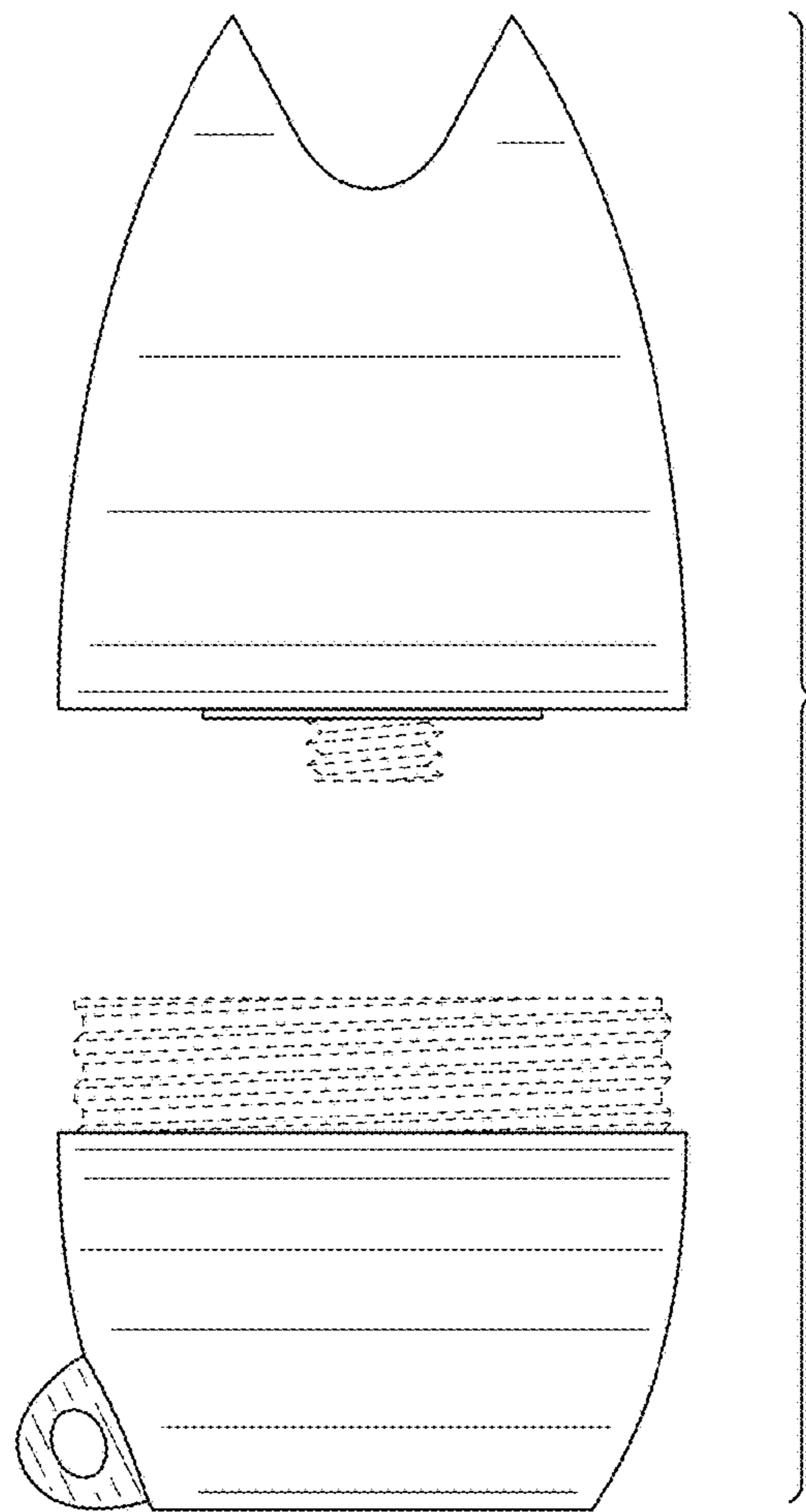


FIG.11

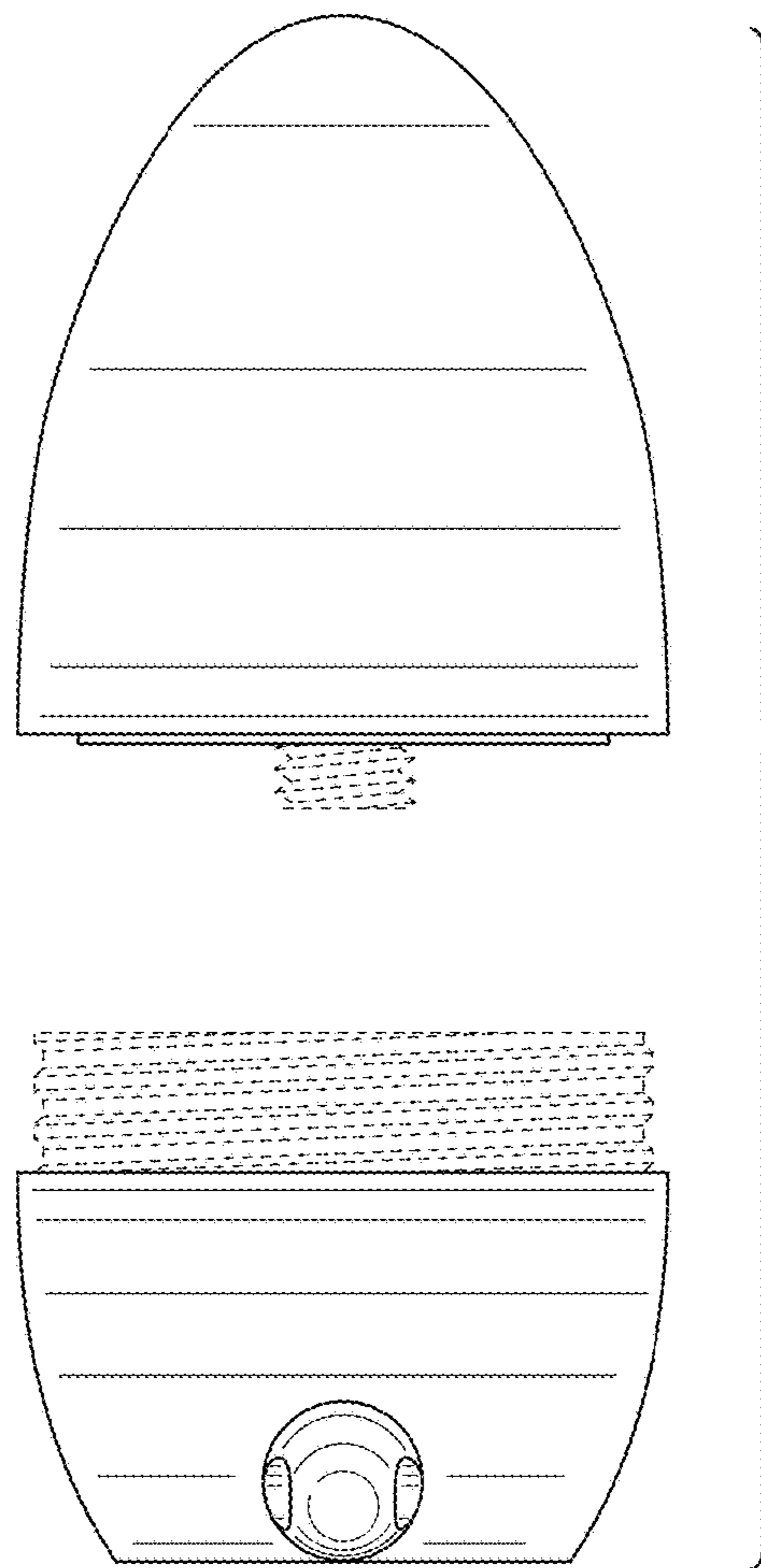


FIG.12

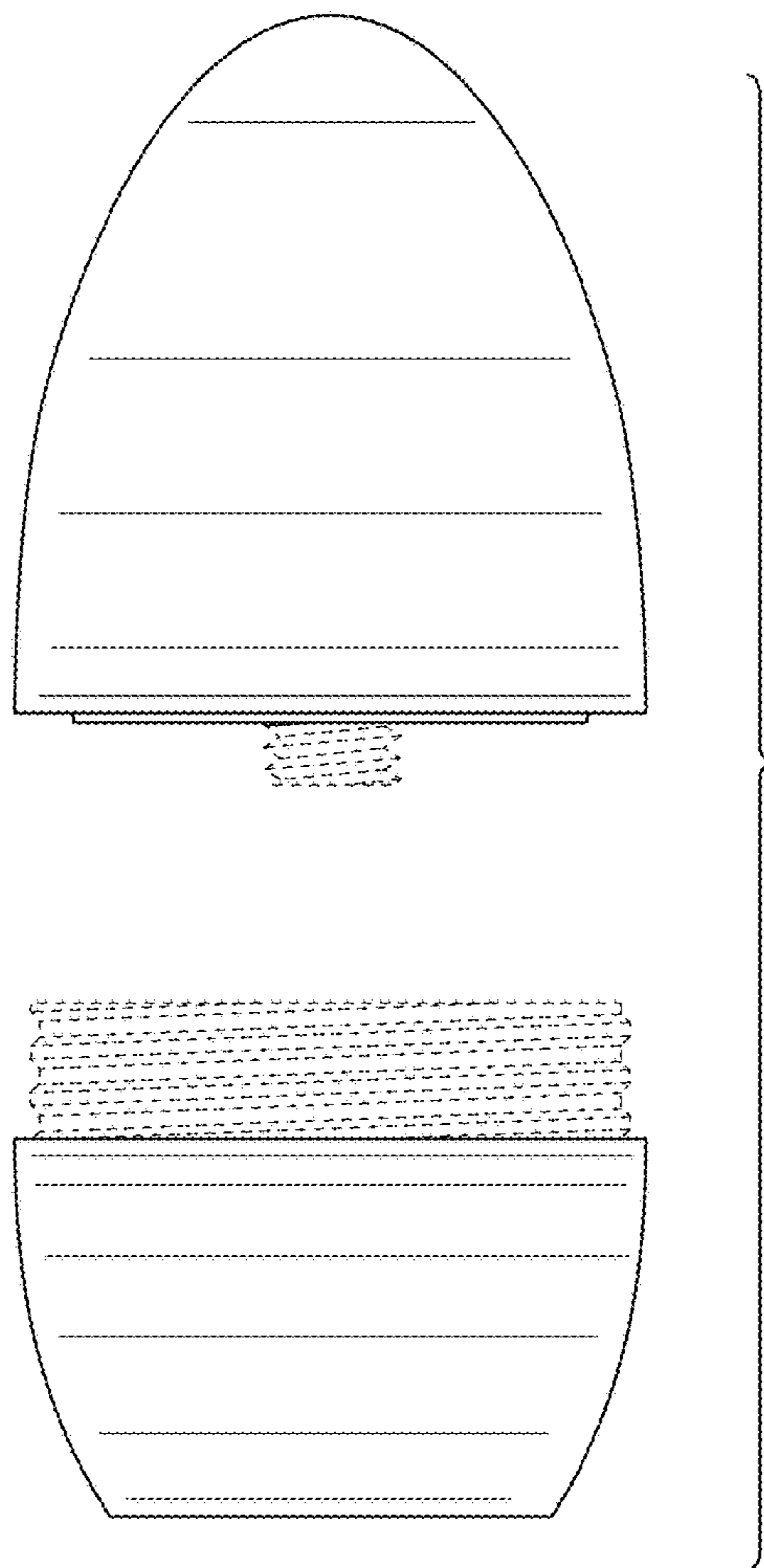


FIG.13

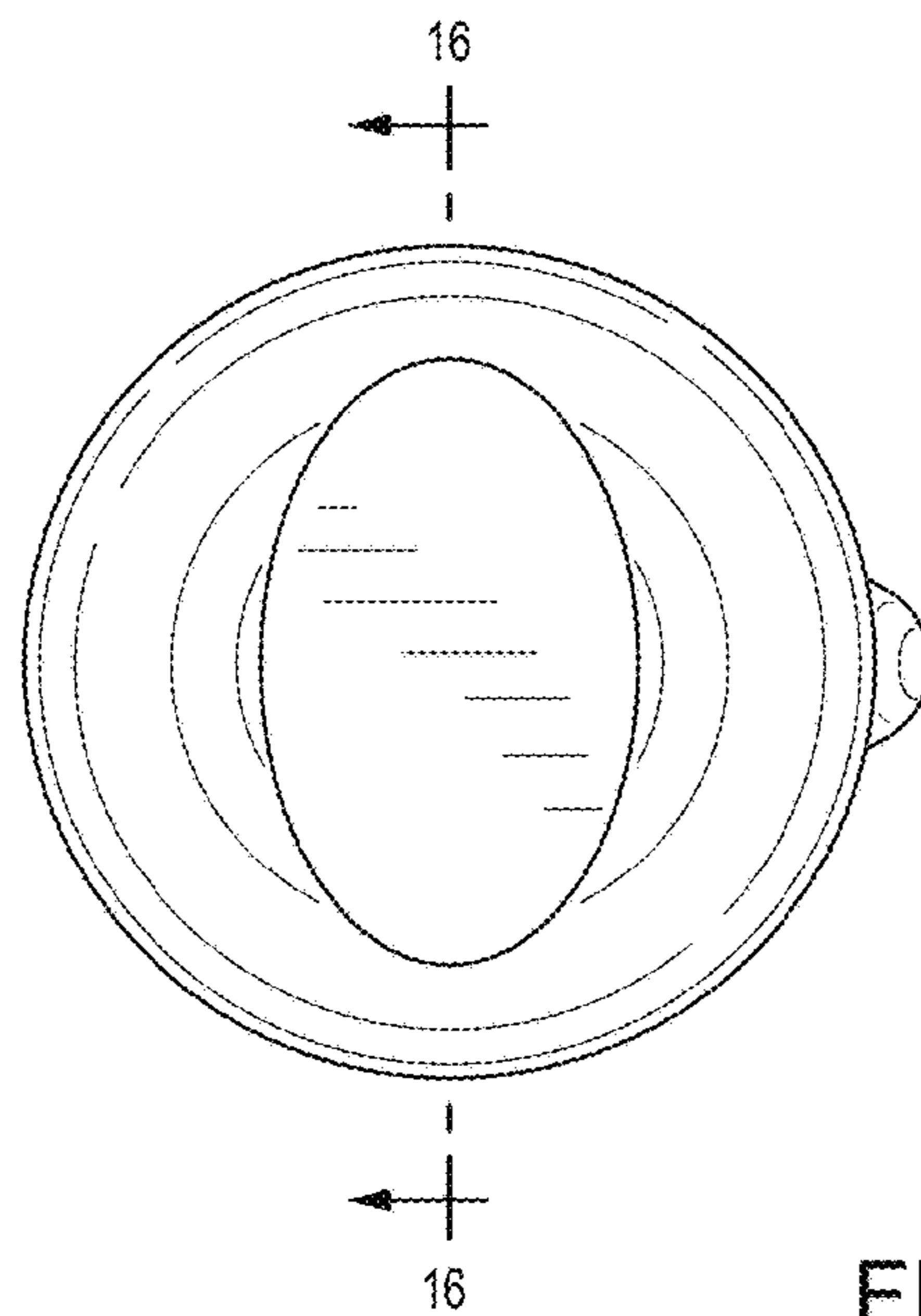


FIG. 14

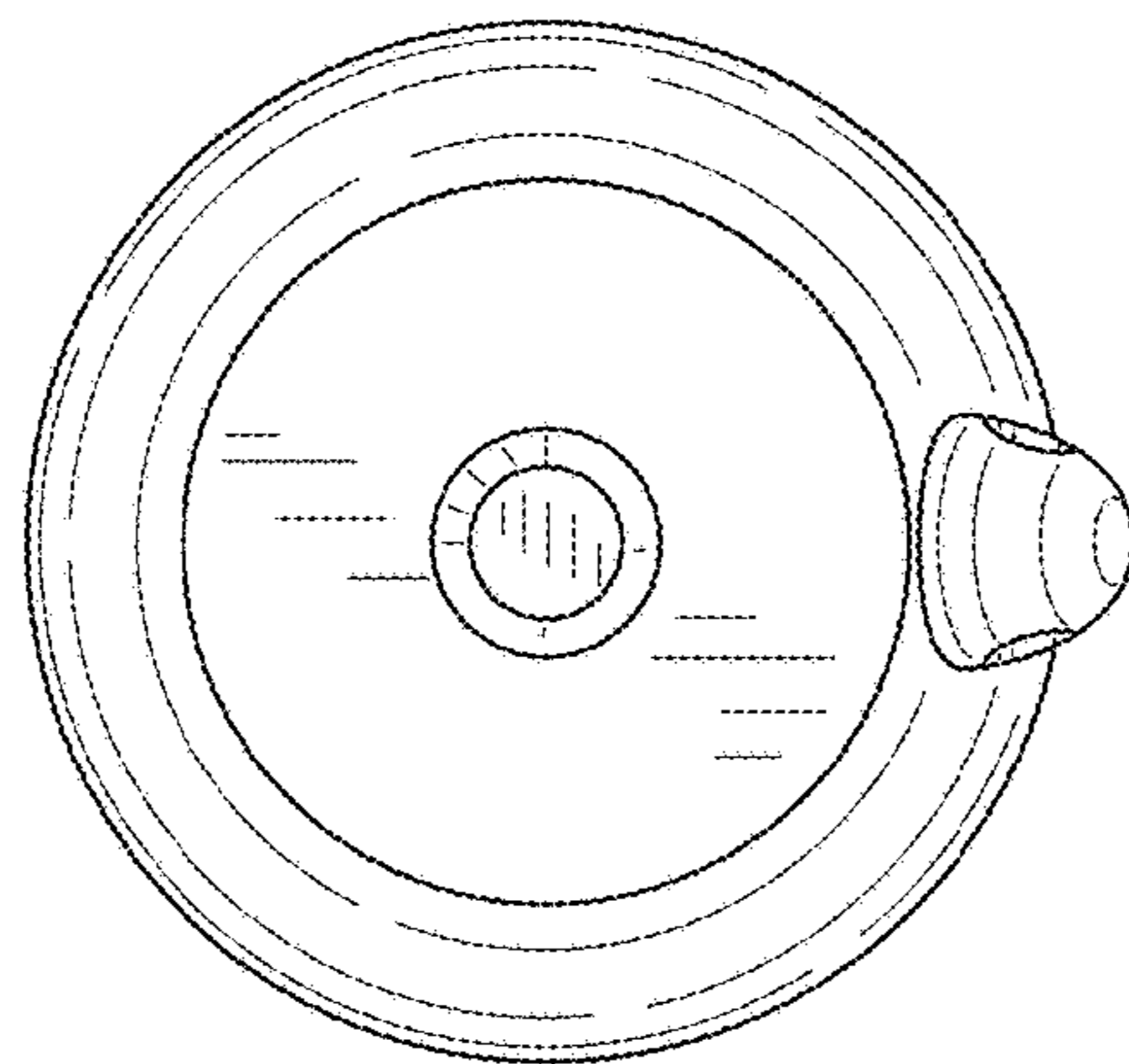


FIG. 15

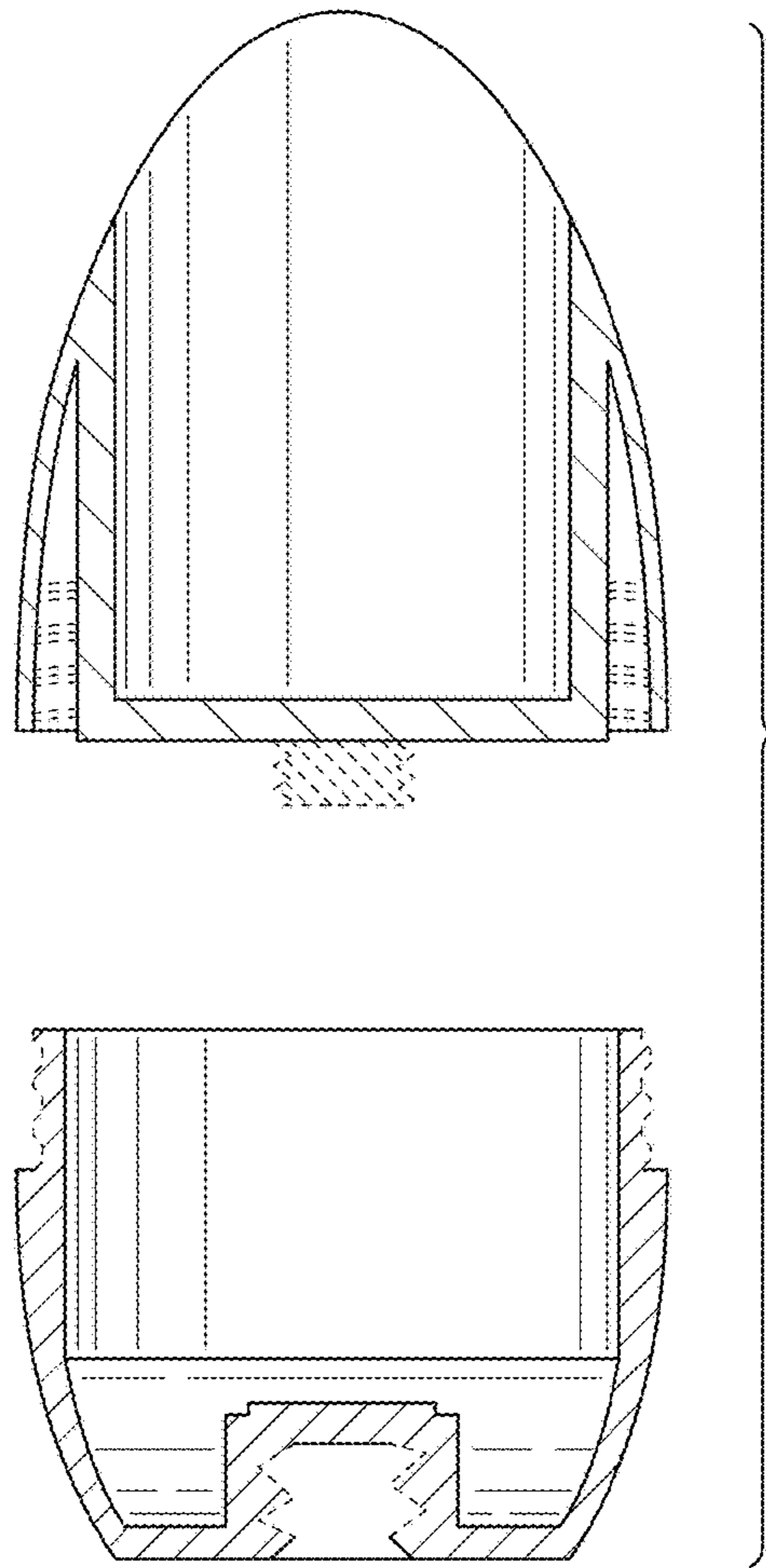


FIG. 16