



US00D844235S

(12) **United States Design Patent**  
**Cividi**

(10) **Patent No.:** **US D844,235 S**  
(45) **Date of Patent:** **\*\* Mar. 26, 2019**

- (54) **CARTRIDGE FOR A VAPING DEVICE**
- (71) Applicant: **Santosh Cividi**, Sugar Land, TX (US)
- (72) Inventor: **Santosh Cividi**, Sugar Land, TX (US)
- (\*\*) Term: **15 Years**
- (21) Appl. No.: **29/628,514**
- (22) Filed: **Dec. 5, 2017**

D819,263 S \* 5/2018 Zhu ..... D27/101  
 D819,881 S \* 6/2018 Qiu ..... D27/101  
 D822,896 S \* 7/2018 Durand ..... D27/101

**OTHER PUBLICATIONS**

XFire Mint Pods by electric tobacconist. earliest review date: Oct. 22, 2017. found online [Nov. 6, 2018] <https://www.electrictobacconist.com/xfire-vape-mint-pods-pack-of-4-p4416>.\*

XFire Starter Pack by electric tobacconist. earliest review date: Jan. 17, 2017. found online [Nov. 6, 2018] <https://kchilldirect.com/products/xfire-grey-vape-pen>.\*

\* cited by examiner

**Related U.S. Application Data**

- (63) Continuation of application No. 29/622,182, filed on Oct. 14, 2017.
- (51) **LOC (11) Cl.** ..... **27-02**
- (52) **U.S. Cl.**  
USPC ..... **D27/167**
- (58) **Field of Classification Search**  
USPC ..... D27/100, 101, 162, 163–194;  
D19/115–123, 161–169; D24/110;  
D23/366; D13/108  
CPC ..... A24F 47/008; A24F 47/002; A24F 7/02;  
A61M 15/06  
See application file for complete search history.

*Primary Examiner* — Marissa J Cash  
 (74) *Attorney, Agent, or Firm* — Craft Chu PLLC;  
 Andrew W. Chu

(57) **CLAIM**

The ornamental design for a cartridge for a vaping device, as shown and described.

**DESCRIPTION**

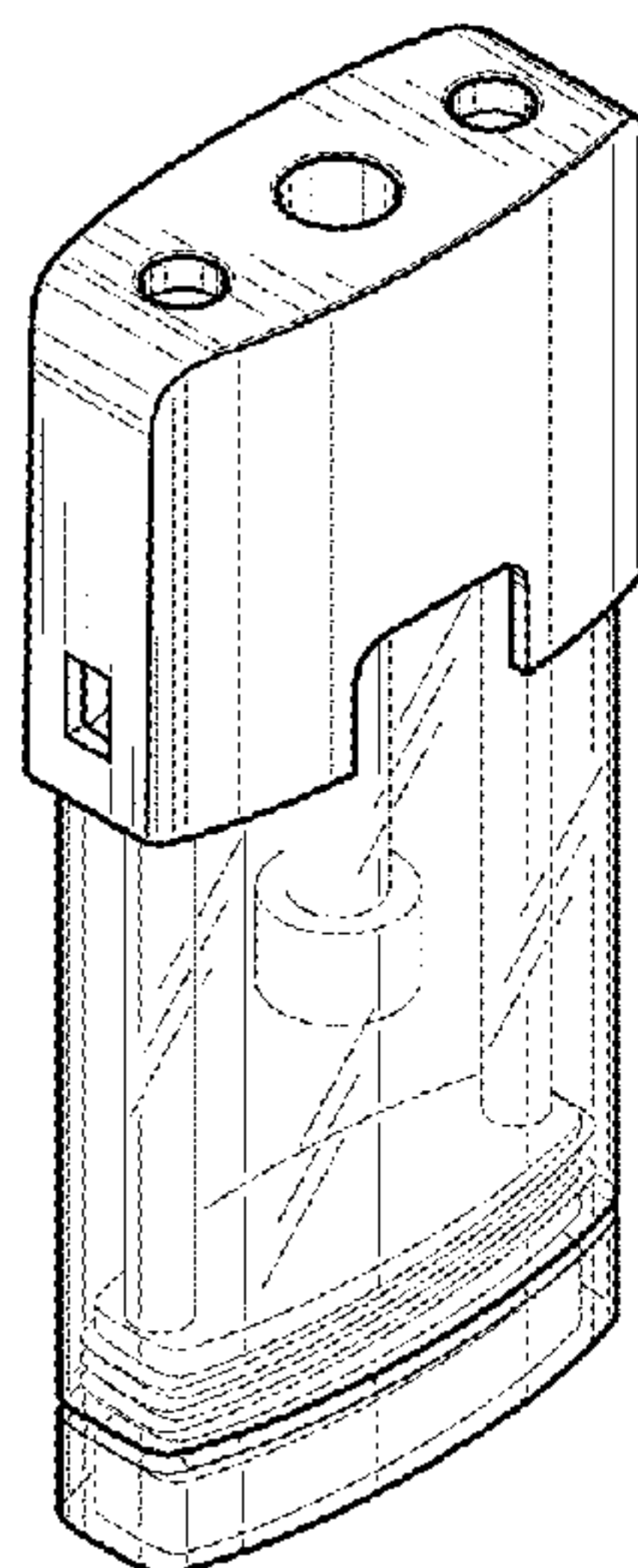
FIG. 1 is an upper perspective view of the cartridge for a vaping device showing my design;  
 FIG. 2 is a front elevation view of the cartridge;  
 FIG. 3 is a back elevation view of the cartridge;  
 FIG. 4 is a side elevation view of the cartridge;  
 FIG. 5 is an opposite side elevation view of the cartridge;  
 FIG. 6 is a top plan view of the cartridge;  
 FIG. 7 is a bottom plan view of the cartridge; and,  
 FIG. 8 is an exploded upper perspective view of the cartridge attached to a vaping device in broken lines.  
 The broken lines immediately adjacent shaded surfaces represent boundaries of the claim and form no part thereof; all other broken lines depict unclaimed environmental subject matter and form no part of the claim.

(56) **References Cited**

**U.S. PATENT DOCUMENTS**

D299,066 S \* 12/1988 Newell ..... D24/110  
 D323,292 S \* 1/1992 Jones ..... D9/424  
 D470,529 S \* 2/2003 Tu ..... D19/165  
 D532,927 S \* 11/2006 Sann ..... D27/101  
 D606,865 S \* 12/2009 Huntington ..... D9/445  
 D644,375 S 8/2011 Zhou  
 D669,530 S \* 10/2012 Hung ..... D19/166  
 D685,522 S 7/2013 Potter  
 D688,416 S 8/2013 Liu  
 D729,439 S 5/2015 Scatterday  
 D818,636 S \* 5/2018 Qiu ..... D27/101

**1 Claim, 2 Drawing Sheets**



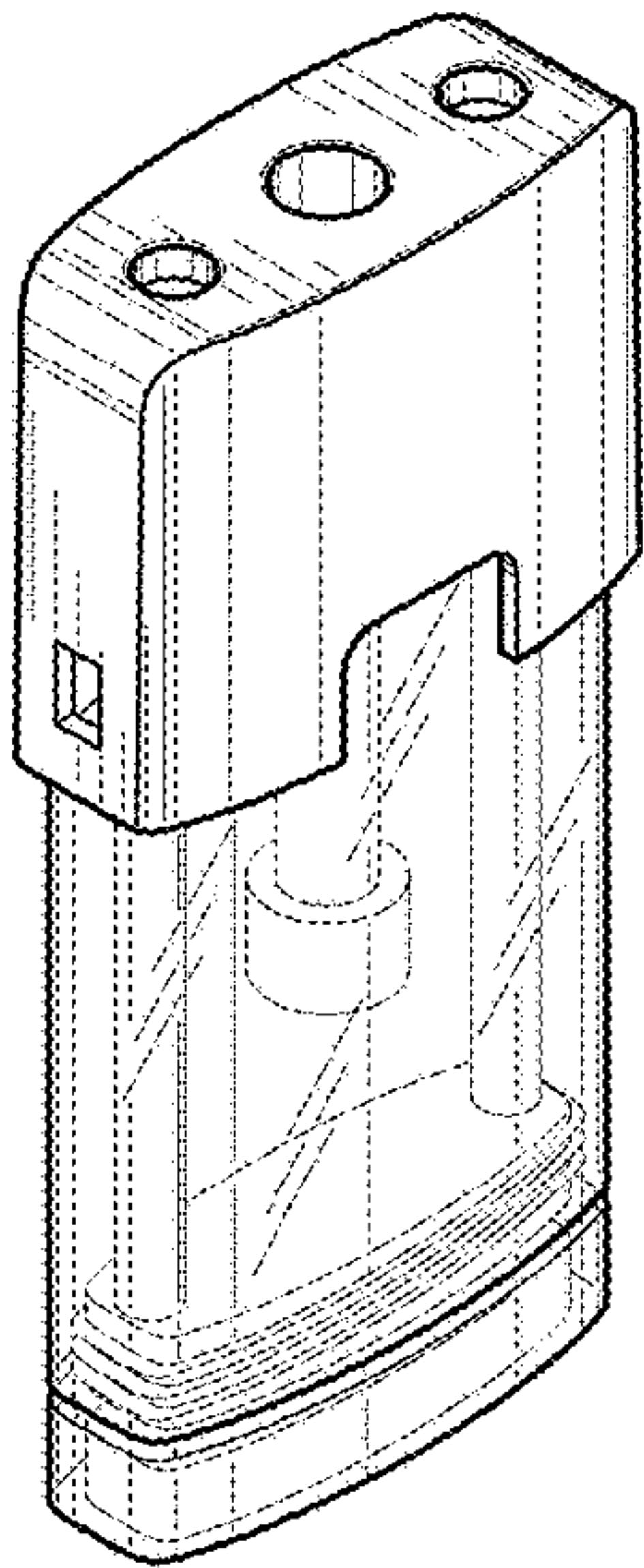


FIG. 1

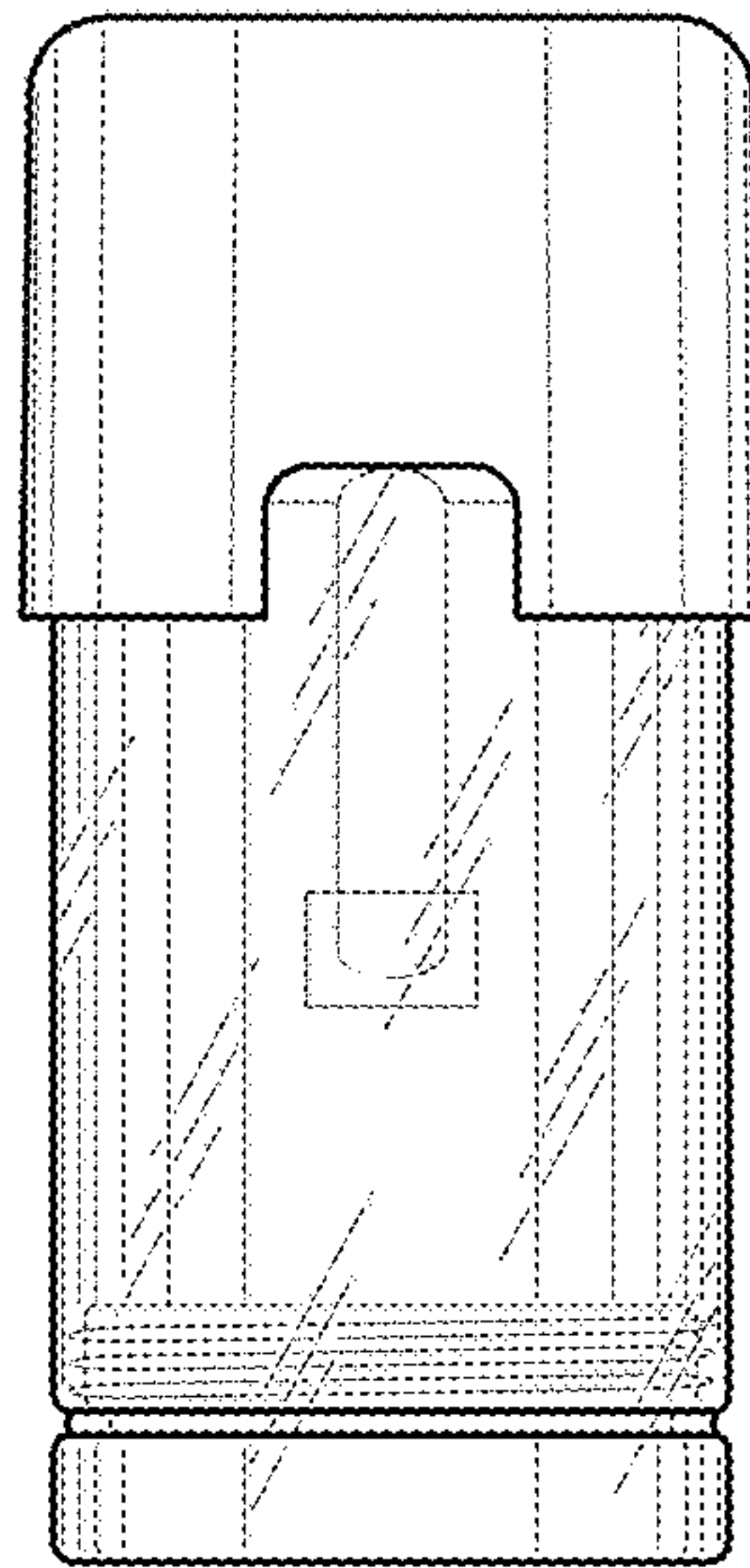


FIG. 2

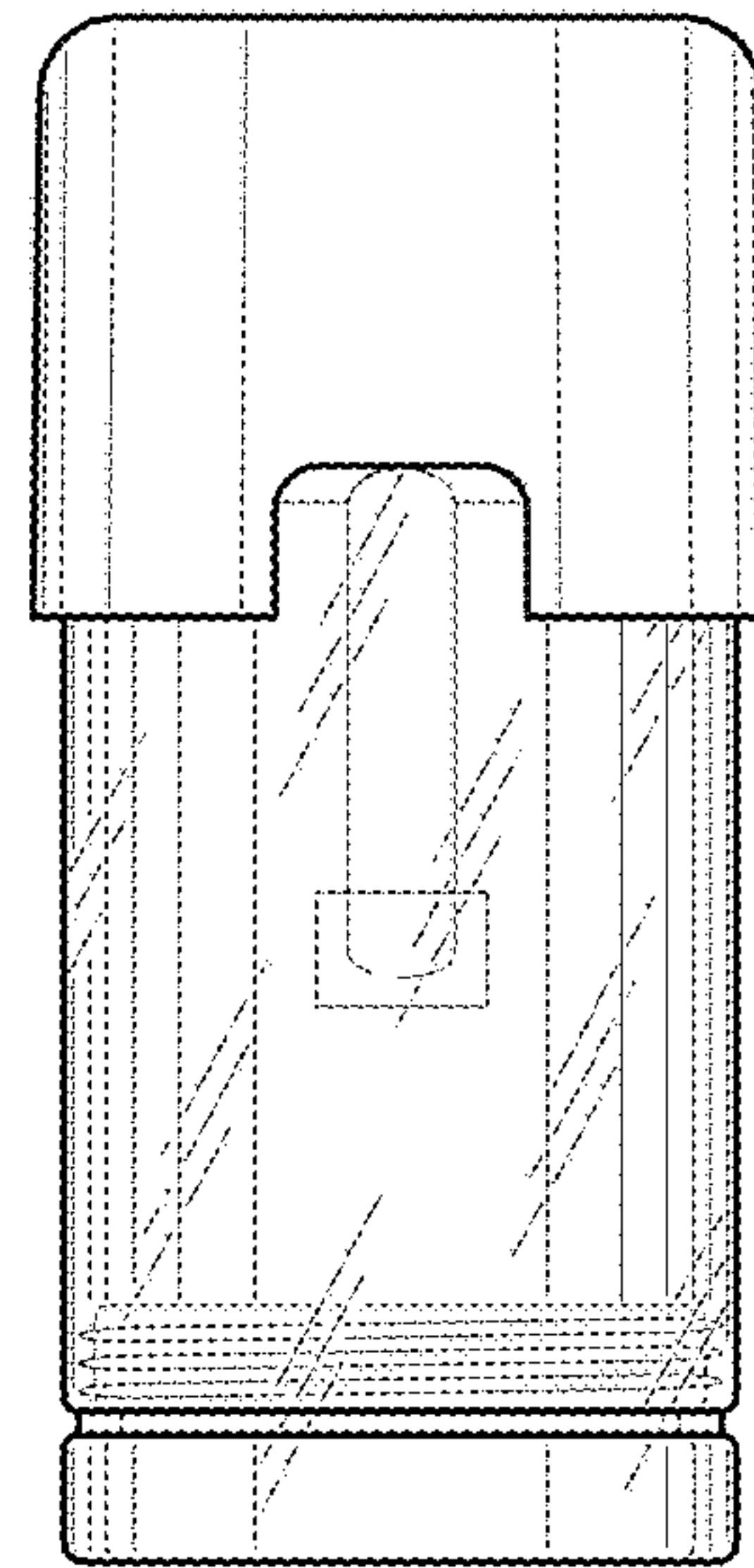


FIG. 3

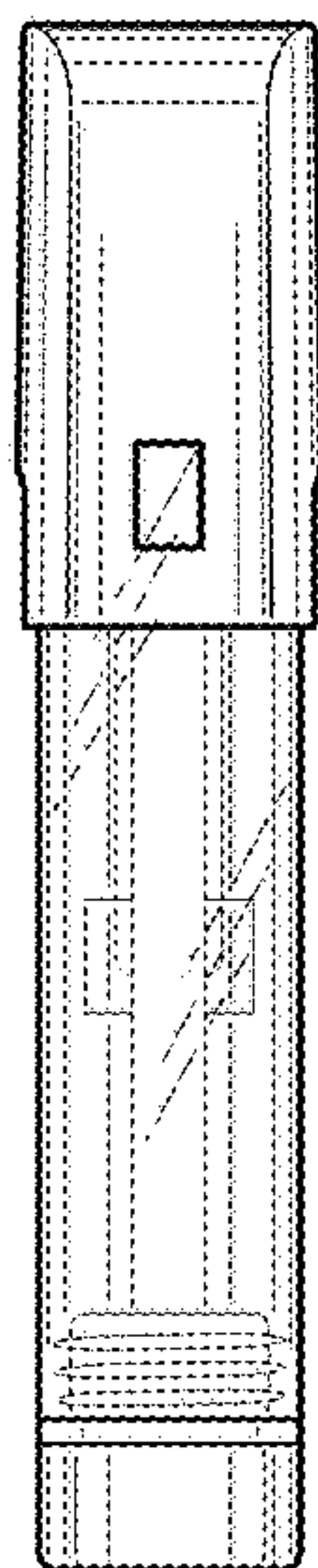


FIG. 4

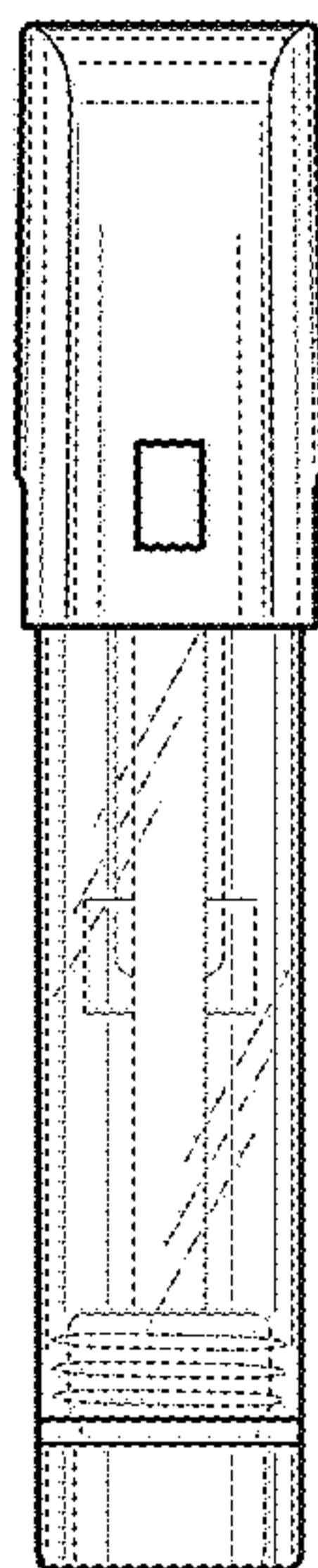


FIG. 5

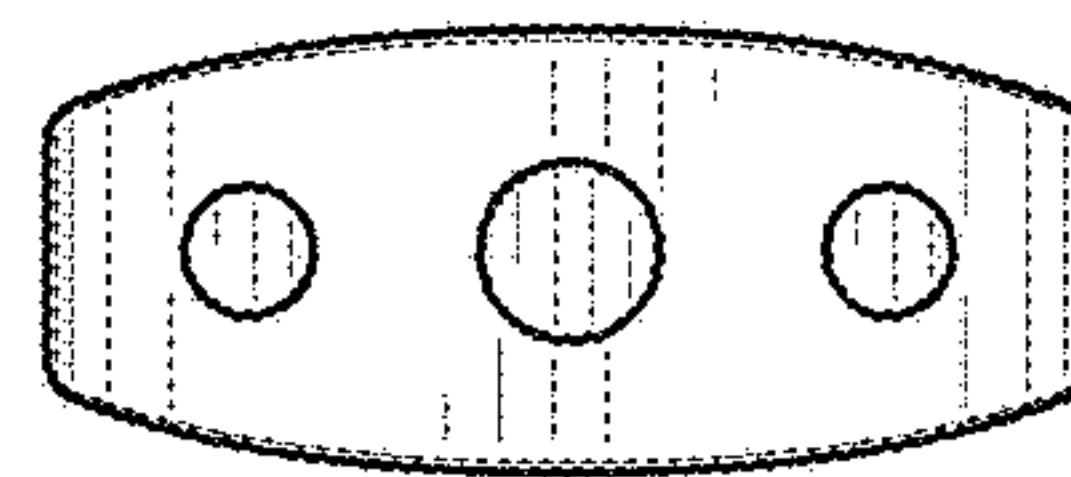


FIG. 6



FIG. 7

FIG. 8

