



US00D844234S

(12) **United States Design Patent**
Yamada et al.

(10) **Patent No.:** **US D844,234 S**
(45) **Date of Patent:** **** Mar. 26, 2019**

(54) **CAPSULE FOR A TOBACCO SUCTION TOOL**

D623,014 S * 9/2010 Alden D7/409
D632,387 S * 2/2011 Sidhu A61C 17/043
D24/112
8,337,694 B1 * 12/2012 Sykes E04C 2/427
210/163

(71) Applicant: **Japan Tobacco Inc.**, Tokyo (JP)

(Continued)

(72) Inventors: **Manabu Yamada**, Tokyo (JP);
Masafumi Tarora, Tokyo (JP);
Hirofumi Matsumoto, Tokyo (JP)

FOREIGN PATENT DOCUMENTS

(73) Assignee: **JAPAN TOBACCO INC.**, Tokyo (JP)

CN 302715975 S 1/2014
JP D1385677 3/2010

(Continued)

(**) Term: **15 Years**

Primary Examiner — Marissa J Cash

(21) Appl. No.: **29/572,019**

(74) *Attorney, Agent, or Firm* — Ohlandt, Greeley,
Ruggiero & Perle, LLP

(22) Filed: **Jul. 25, 2016**

(57) **CLAIM**

The ornamental design for a capsule for a tobacco suction tool, as shown and described.

(30) **Foreign Application Priority Data**

DESCRIPTION

Jan. 25, 2016 (JP) 2016-001332

(51) **LOC (11) Cl.** **27-02**

FIG. 1 is a perspective view of a capsule for a tobacco suction tool.

(52) **U.S. Cl.**

FIG. 2 is a front elevation view thereof. A rear elevation view is a mirror image of the front view. A top plan view and a bottom plan view are identical to the front view.

USPC **D27/167**

(58) **Field of Classification Search**

FIG. 3 is a left side elevation view thereof.

USPC D27/100-196; D23/261; D24/110, 112,
D24/215; D25/48.8, 152, 156; D7/409

FIG. 4 is a right side elevation view thereof.

CPC A24F 47/00; A24F 47/002; A24F 47/004;
A24F 47/006; A24F 47/008; A24F 1/00;
A24F 1/22

FIG. 5 is an enlarged cross-sectional view taken along the line 5-5 in FIG. 3 thereof.

See application file for complete search history.

FIG. 6 is an enlarged cross-sectional view taken along the line 6-6 in FIG. 3 thereof.

(56) **References Cited**

FIG. 7 is an enlarged cross-sectional view taken along the line 7-7 in FIG. 2 thereof.

U.S. PATENT DOCUMENTS

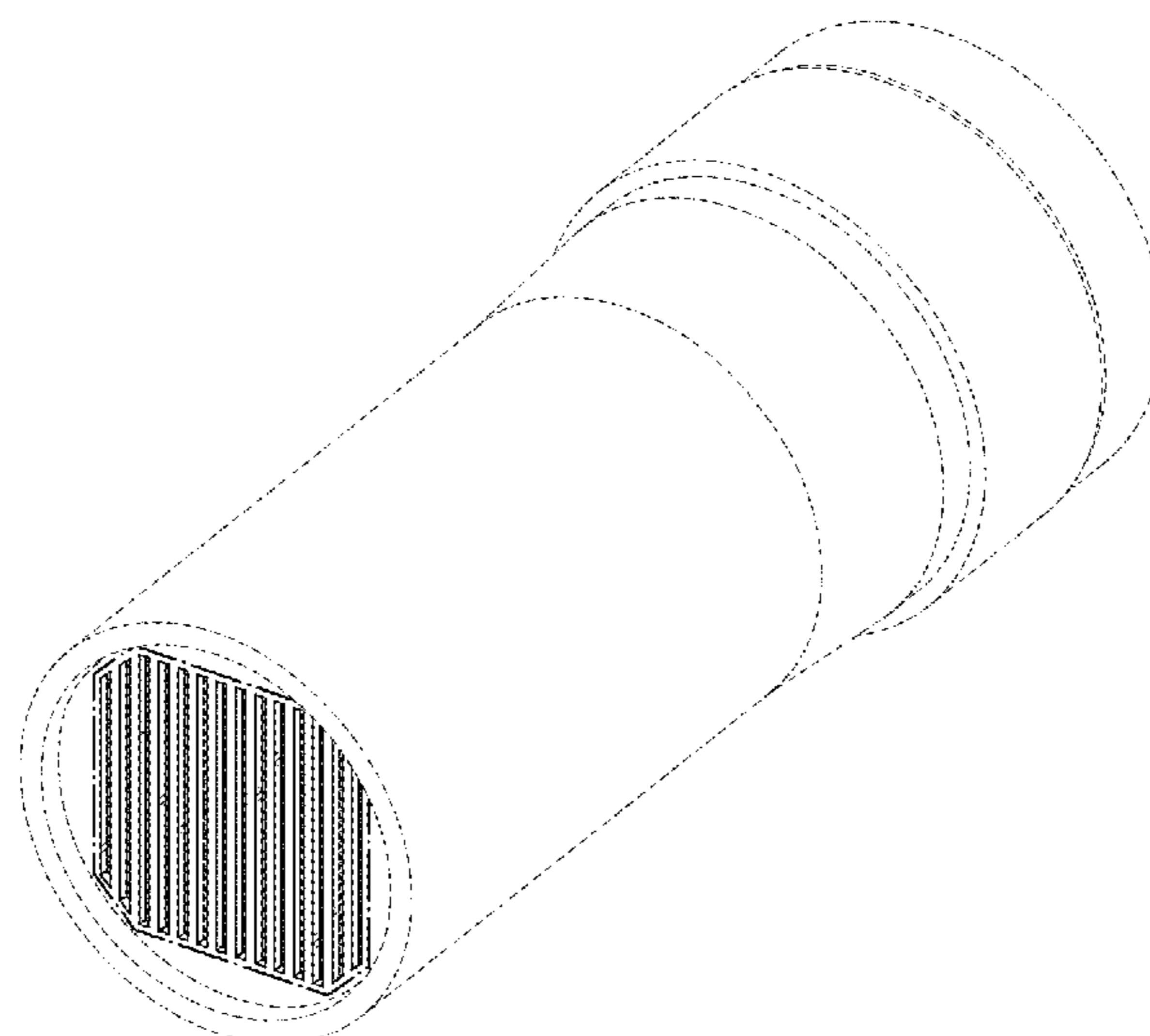
D275,703 S * 9/1984 De Rocher D25/48.8
D349,774 S * 8/1994 Kongsgaard D25/156
D367,972 S * 3/1996 Valls D25/156
D367,973 S * 3/1996 Valls D3/304
D374,727 S * 10/1996 Emanuele D25/152
D471,679 S * 3/2003 Henzey D32/3

FIG. 8 is an enlarged partial perspective view thereof; and, FIG. 9 is an enlarged left side elevation view thereof.

The broken lines shown in the drawings illustrate portions of the capsule for a tobacco suction tool that form no part of the claimed design.

The dot-dash lines show an unclaimed boundary which forms no part of the claimed design.

1 Claim, 9 Drawing Sheets



(56)

References Cited

U.S. PATENT DOCUMENTS

D685,065	S *	6/2013	Snelling	D23/261
D687,524	S *	8/2013	Heiser	D23/261
D716,609	S *	11/2014	Greer	D7/409
D720,437	S *	12/2014	Togawa	D23/261
D721,795	S *	1/2015	Bernoti	D23/260
D730,286	S	5/2015	Liu et al.	
D759,791	S *	6/2016	Hull	D23/261
D772,648	S *	11/2016	Palermo	D7/367
D788,889	S *	6/2017	Hull	D23/261
D789,147	S *	6/2017	Nilssen	D7/409
D789,497	S *	6/2017	Hull	D23/261
D797,369	S *	9/2017	Yamada	D27/101
D810,280	S *	2/2018	Tharp	D24/112
2013/0264256	A1 *	10/2013	Hebert	E03F 5/0404 210/163

FOREIGN PATENT DOCUMENTS

JP	D1385679	3/2010
JP	D1385677	4/2010
JP	D1385679	4/2010
KR	30-2013-0040813	12/2013
KR	30-0721091	12/2013
KR	30-2013-0064261	9/2014
KR	30-0763926	9/2014

* cited by examiner

FIG. 1

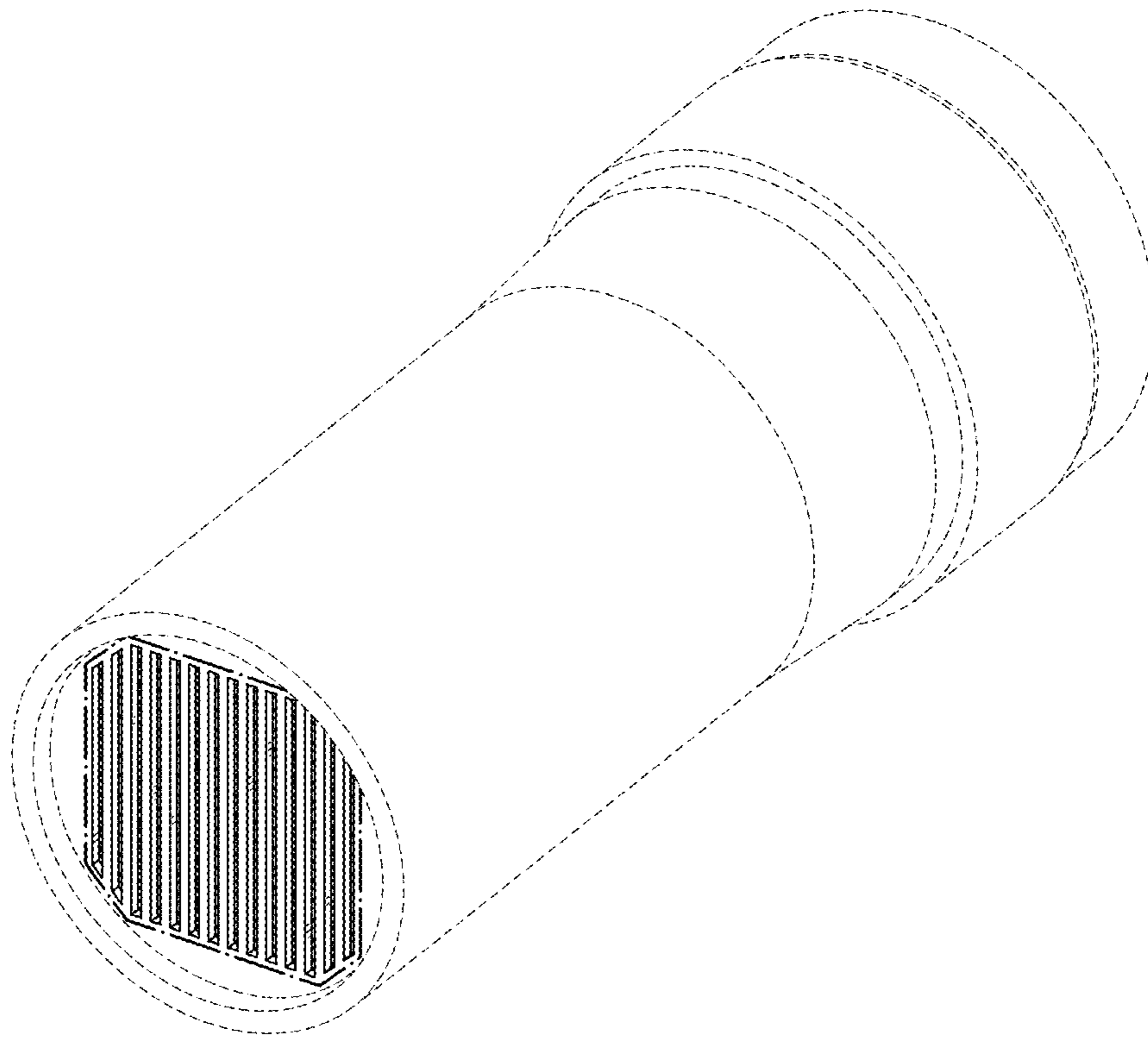


FIG. 2

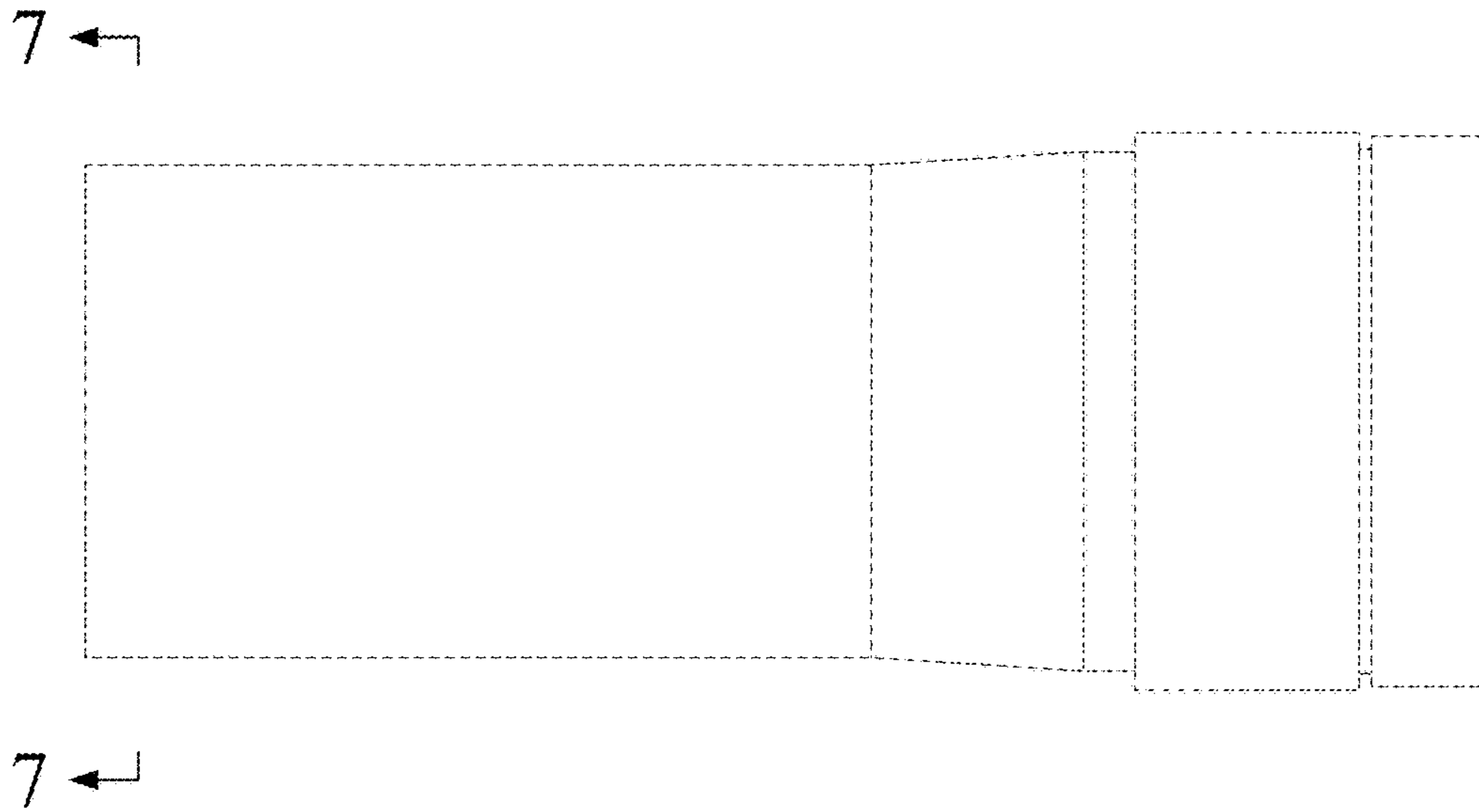


FIG. 3

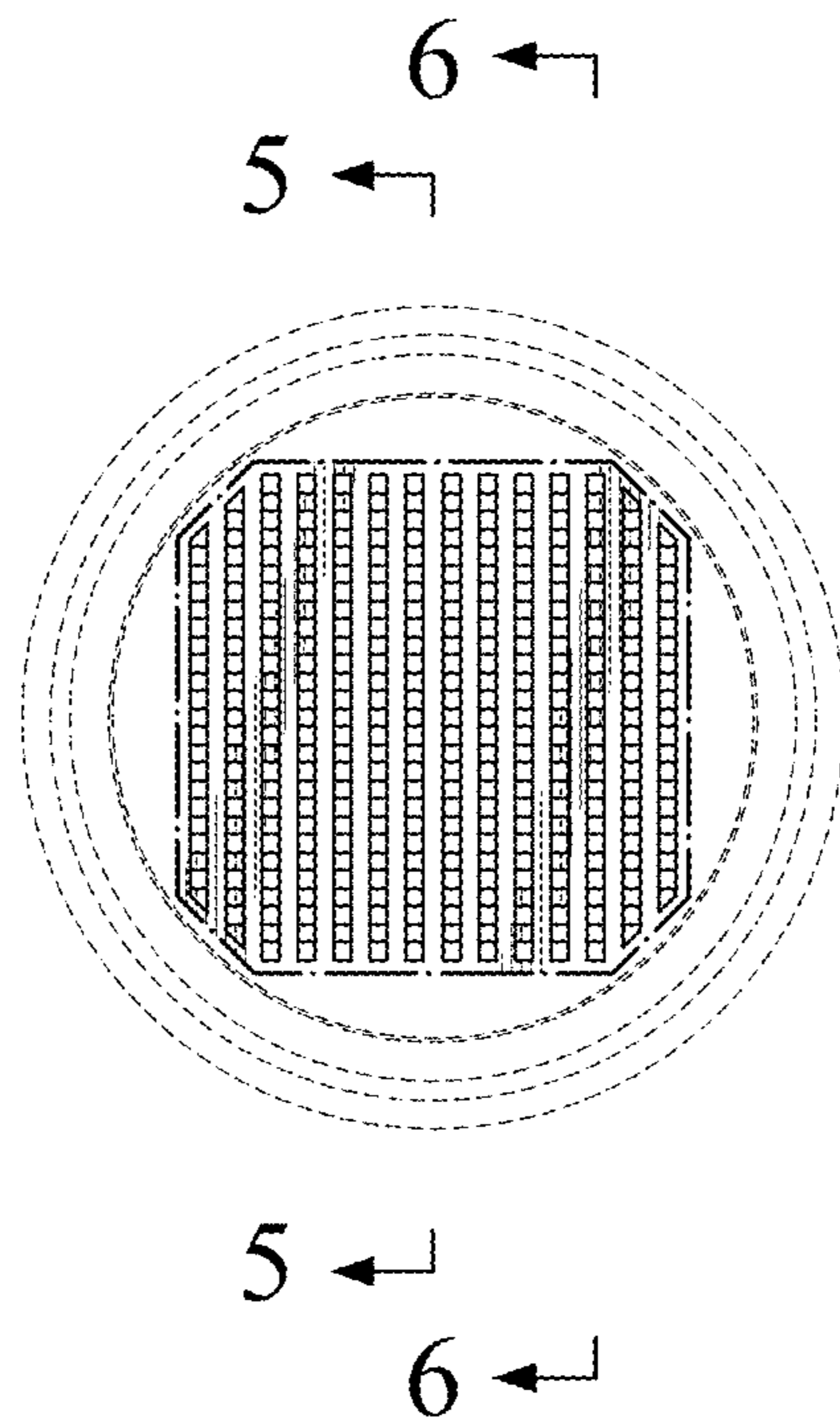


FIG. 4

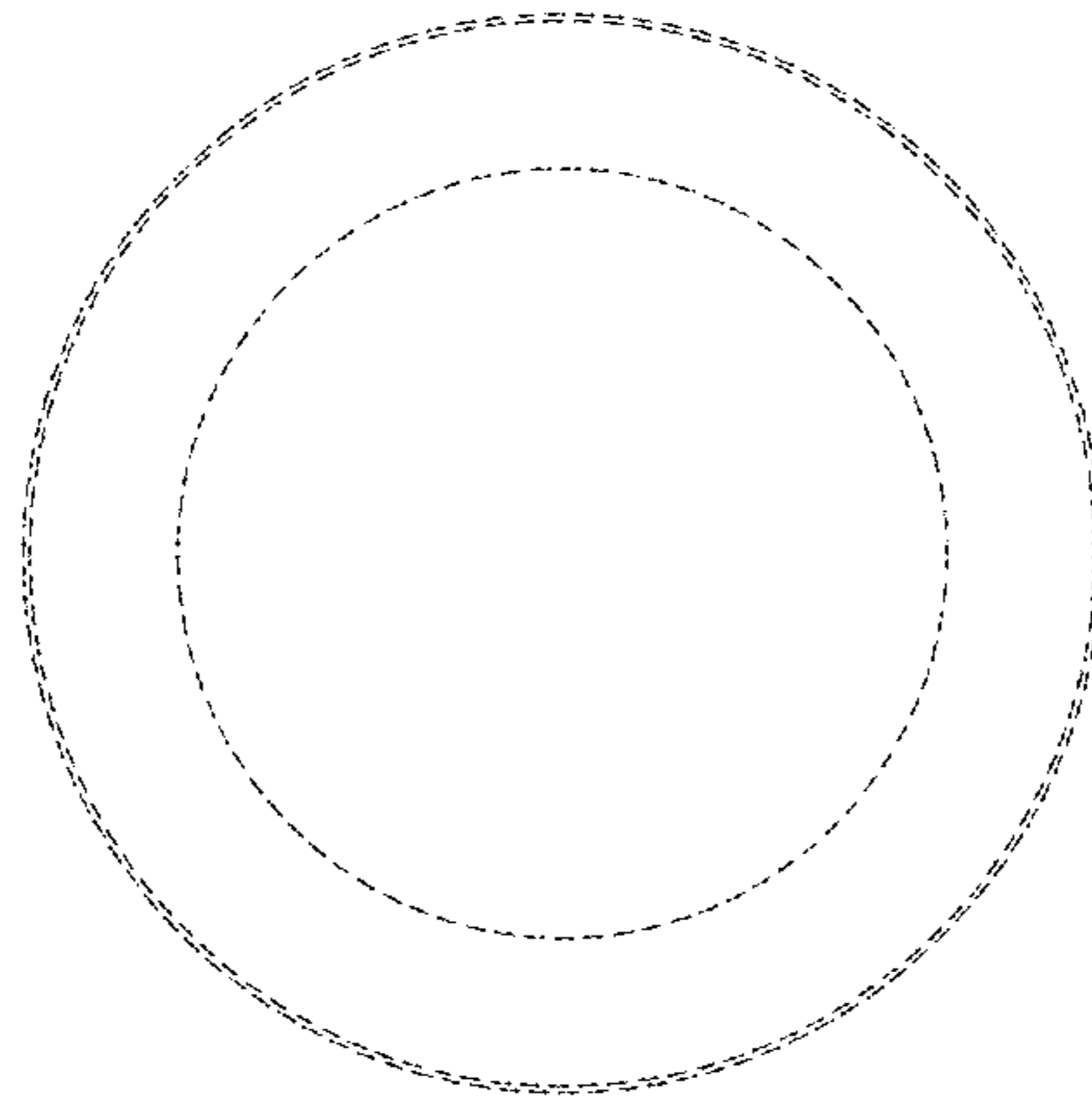


FIG. 5

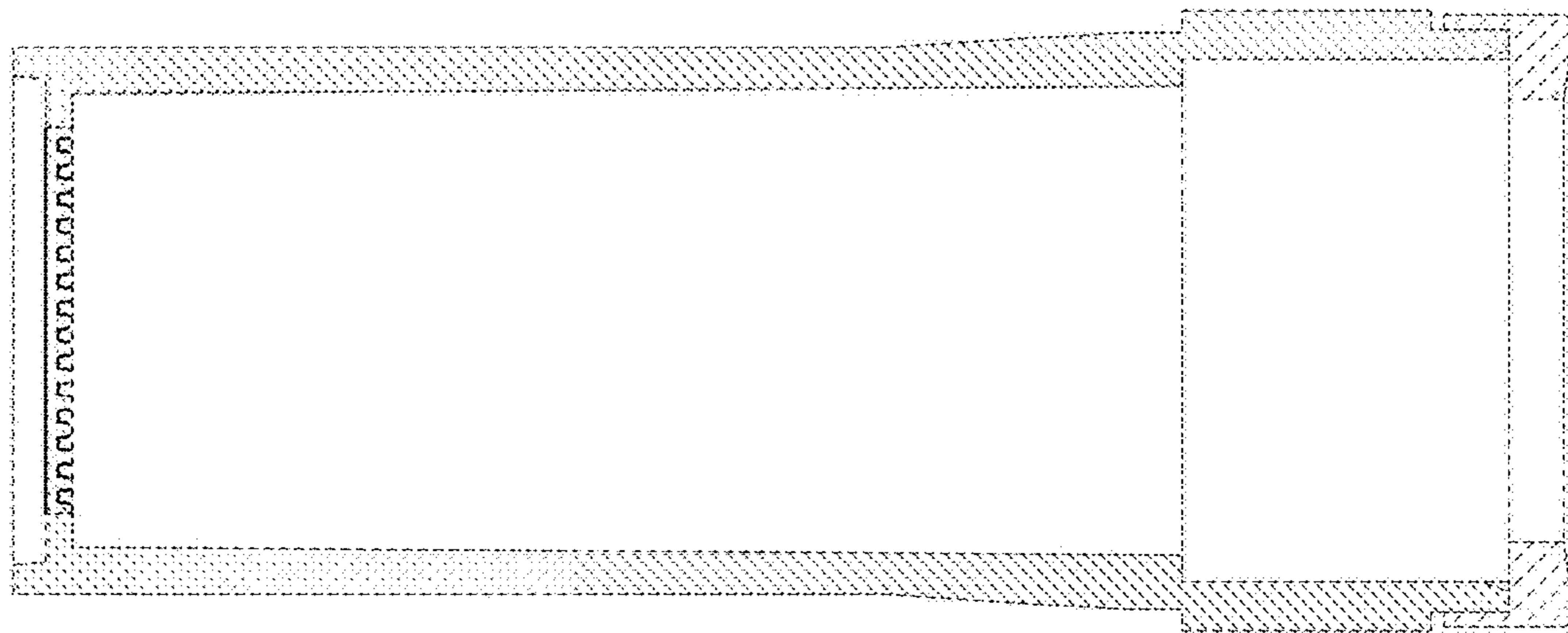


FIG. 6

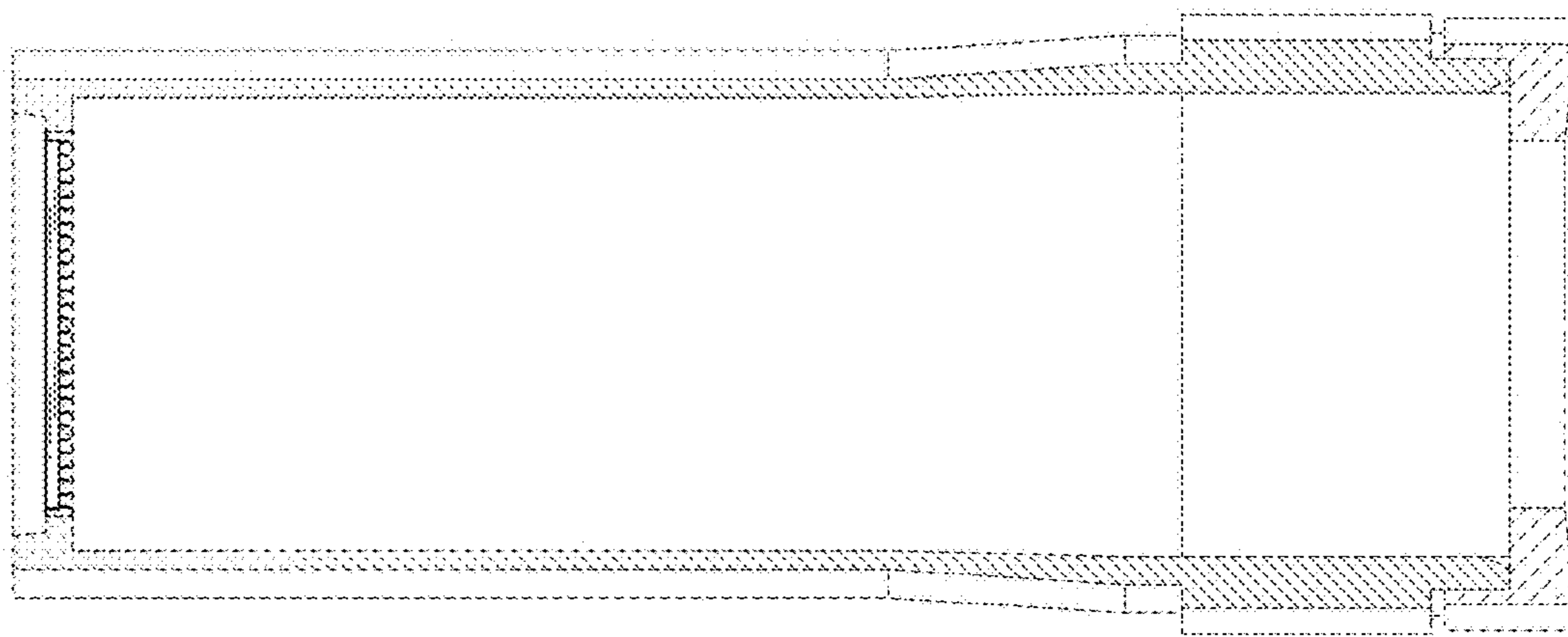


FIG. 7

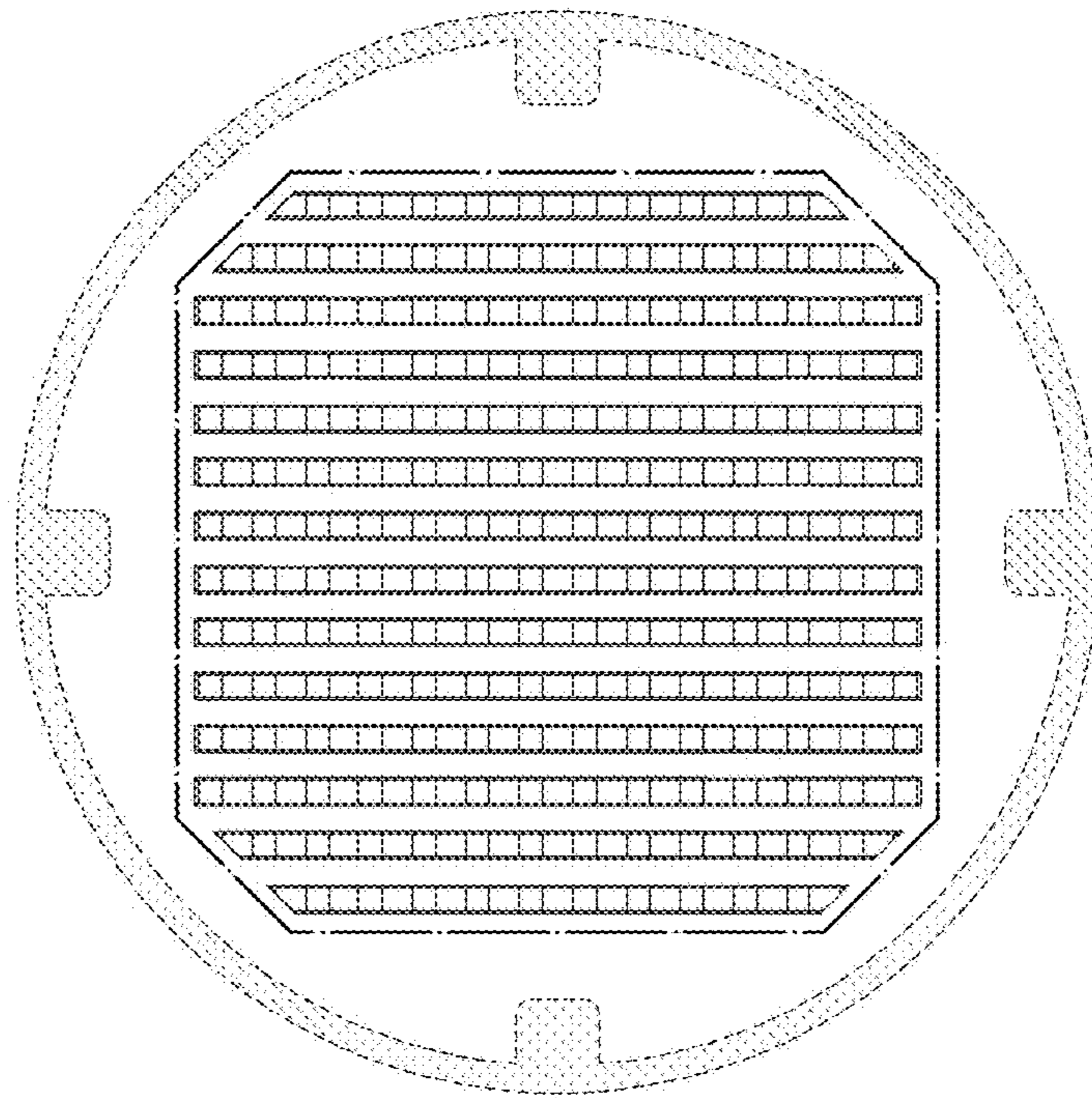


FIG. 8

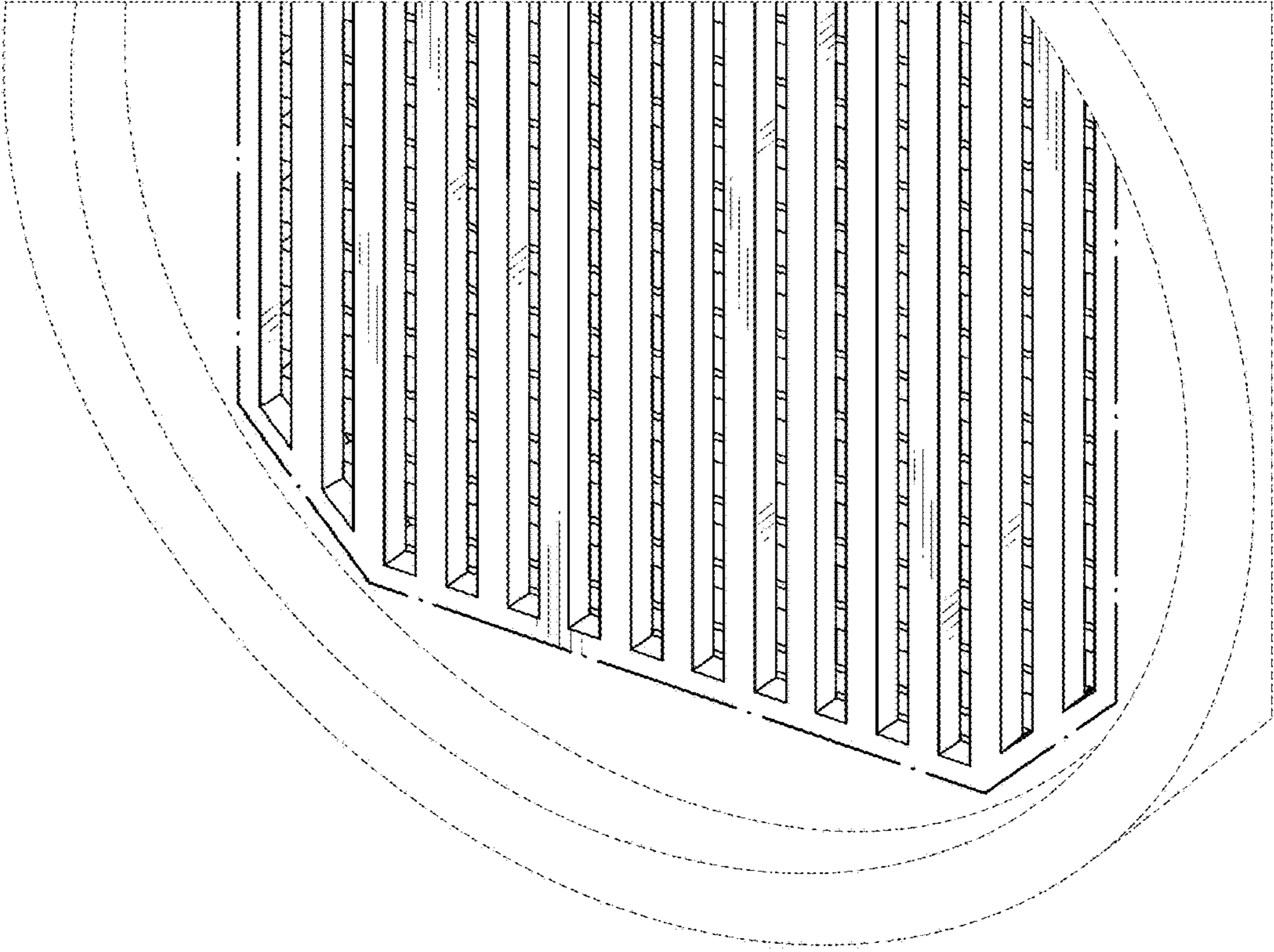


FIG. 9

