



US00D844233S

(12) **United States Design Patent**
Yamada et al.

(10) **Patent No.:** **US D844,233 S**
(45) **Date of Patent:** **** Mar. 26, 2019**

(54) **CAPSULE FOR TOBACCO SUCTION TOOL**

(71) Applicant: **Japan Tobacco Inc.**, Tokyo (JP)

(72) Inventors: **Manabu Yamada**, Tokyo (JP);
Masafumi Tarora, Tokyo (JP);
Hirofumi Matsumoto, Tokyo (JP);
Tomoichi Watanabe, Tokyo (JP)

(73) Assignee: **JAPAN TOBACCO INC.**, Tokyo (JP)

(**) Term: **15 Years**

(21) Appl. No.: **29/572,018**

(22) Filed: **Jul. 25, 2016**

(30) **Foreign Application Priority Data**

Jan. 25, 2016 (JP) 2016-001331

(51) **LOC (11) Cl.** **27-02**

(52) **U.S. Cl.**
USPC **D27/167**

(58) **Field of Classification Search**
USPC D27/100-196; D24/110, 112, 215;
D25/48.8, 152, 156; D7/409; D23/261
CPC A24F 47/00; A24F 47/002; A24F 47/004;
A24F 47/006; A24F 47/008; A24F 1/00;
A24F 1/22
See application file for complete search history.

(56) **References Cited**

U.S. PATENT DOCUMENTS

D153,759 S * 5/1949 Blatt D28/5
3,121,508 A * 2/1964 Kase B65D 25/22
206/269
D338,317 S * 8/1993 Woodward D99/28
D344,797 S * 3/1994 Sochon D24/110
D345,013 S * 3/1994 Huck D24/110
D348,928 S * 7/1994 Ashley D24/110

D350,193 S * 8/1994 Huck D24/110
D406,388 S * 3/1999 Putnam D27/183
D408,099 S * 4/1999 Putnam D27/190
D409,330 S * 5/1999 Putnam D27/190
D433,633 S * 11/2000 La Fata D9/502

(Continued)

FOREIGN PATENT DOCUMENTS

CN 302715975 S 1/2014
JP D1385677 3/2010

(Continued)

Primary Examiner — Marissa J Cash

(74) *Attorney, Agent, or Firm* — Ohlandt, Greeley,
Ruggiero & Perle, LLP

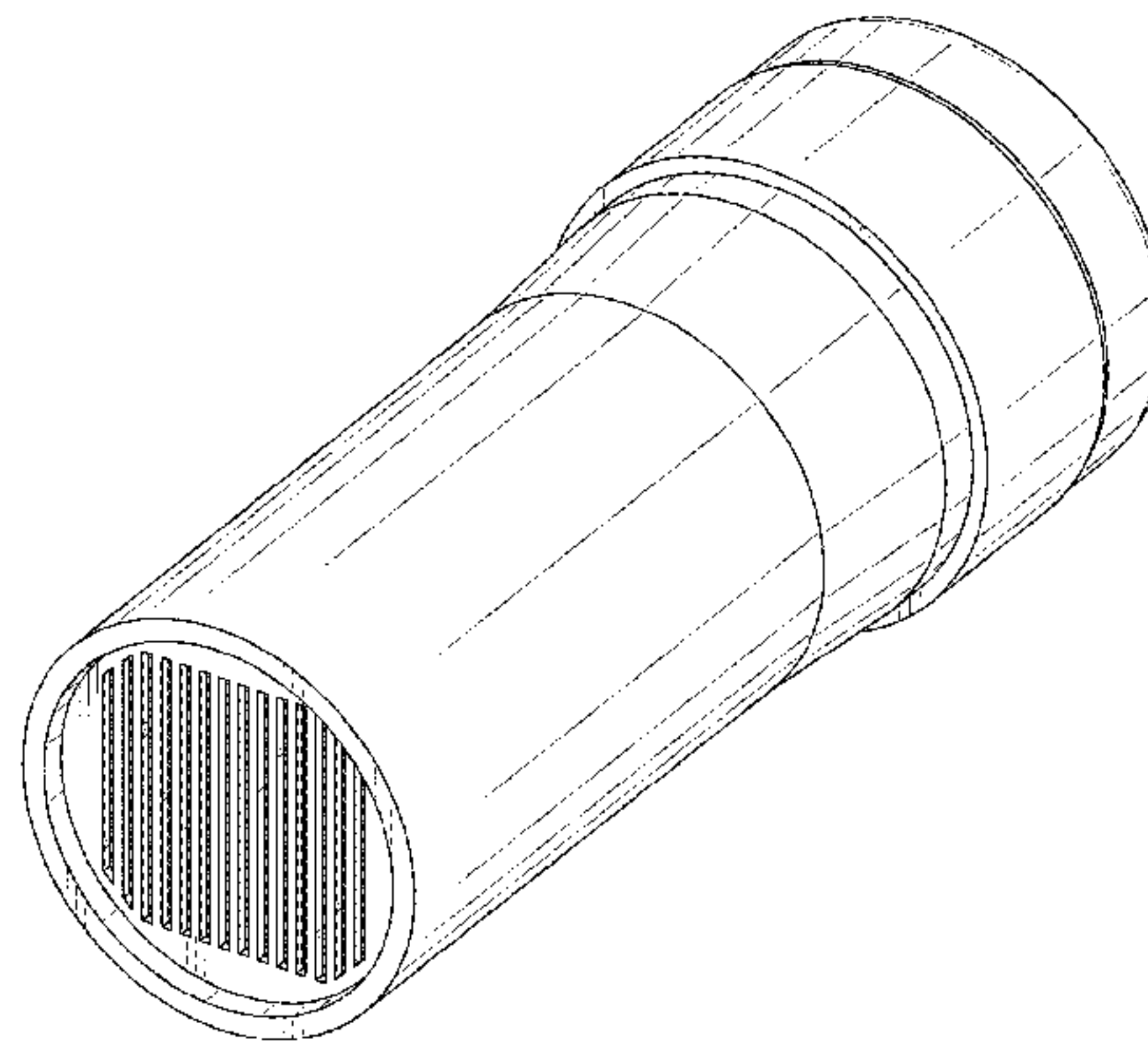
(57) **CLAIM**

The ornamental design for a capsule for a tobacco suction tool, as shown and described.

DESCRIPTION

FIG. 1 is a perspective view from the left side of a capsule for a tobacco suction tool.
FIG. 2 is a perspective view from the right side thereof.
FIG. 3 is a front elevation view thereof. A rear elevation view is a mirror image of the front view. A top plan view and a bottom plan view are identical to the front view.
FIG. 4 is a left side elevation view thereof.
FIG. 5 is a right side elevation view thereof.
FIG. 6 is an enlarged cross-sectional view taken along the line 6-6 in FIG. 4 thereof.
FIG. 7 is an enlarged cross-sectional view taken along the line 7-7 in FIG. 4 thereof.
FIG. 8 is an enlarged cross-sectional view taken along the line 8-8 in FIG. 3 thereof.
FIG. 9 is an enlarged partial perspective view thereof; and, FIG. 10 is an enlarged left side elevation view thereof.
The broken lines shown in the drawings illustrate portions of the capsule for a tobacco suction tool that form no part of the claimed design.

1 Claim, 9 Drawing Sheets



(56)

References Cited

U.S. PATENT DOCUMENTS

| | | | | | |
|--------------|------|---------|------------|-------|-------------|
| D488,961 | S * | 4/2004 | Moran | | D7/608 |
| D632,387 | S * | 2/2011 | Sidhu | | A61C 17/043 |
| | | | | | D24/112 |
| D677,832 | S * | 3/2013 | Fastuca | | D27/189 |
| D693,457 | S * | 11/2013 | Mayer | | D24/110 |
| D730,286 | S | 5/2015 | Liu et al. | | |
| D760,947 | S * | 7/2016 | Hearn | | D27/101 |
| D762,871 | S * | 8/2016 | Gomez | | D24/215 |
| D779,720 | S * | 2/2017 | Hearn | | D27/101 |
| D797,369 | S * | 9/2017 | Yamada | | D27/101 |
| D798,438 | S * | 9/2017 | Engelhard | | D24/110 |
| D809,193 | S * | 1/2018 | McIntyre | | D27/169 |
| D810,280 | S * | 2/2018 | Tharp | | D24/112 |
| 2012/0090629 | A1 * | 4/2012 | Turner | | A61M 15/009 |
| | | | | | 131/273 |
| 2017/0319799 | A1 * | 11/2017 | Yamada | | A61M 15/06 |
| 2018/0014570 | A1 * | 1/2018 | Nakano | | A24F 47/006 |

FOREIGN PATENT DOCUMENTS

| | | | | |
|----|-----------------|----------|--|---------|
| JP | | D1385679 | | 3/2010 |
| JP | | D1385677 | | 4/2010 |
| JP | | D1385679 | | 4/2010 |
| KR | 30-2013-0040813 | | | 12/2013 |
| KR | 30-0721091 | | | 12/2013 |
| KR | 30-2013-0064261 | | | 9/2014 |
| KR | 30-0763926 | | | 9/2014 |

* cited by examiner

FIG. 1

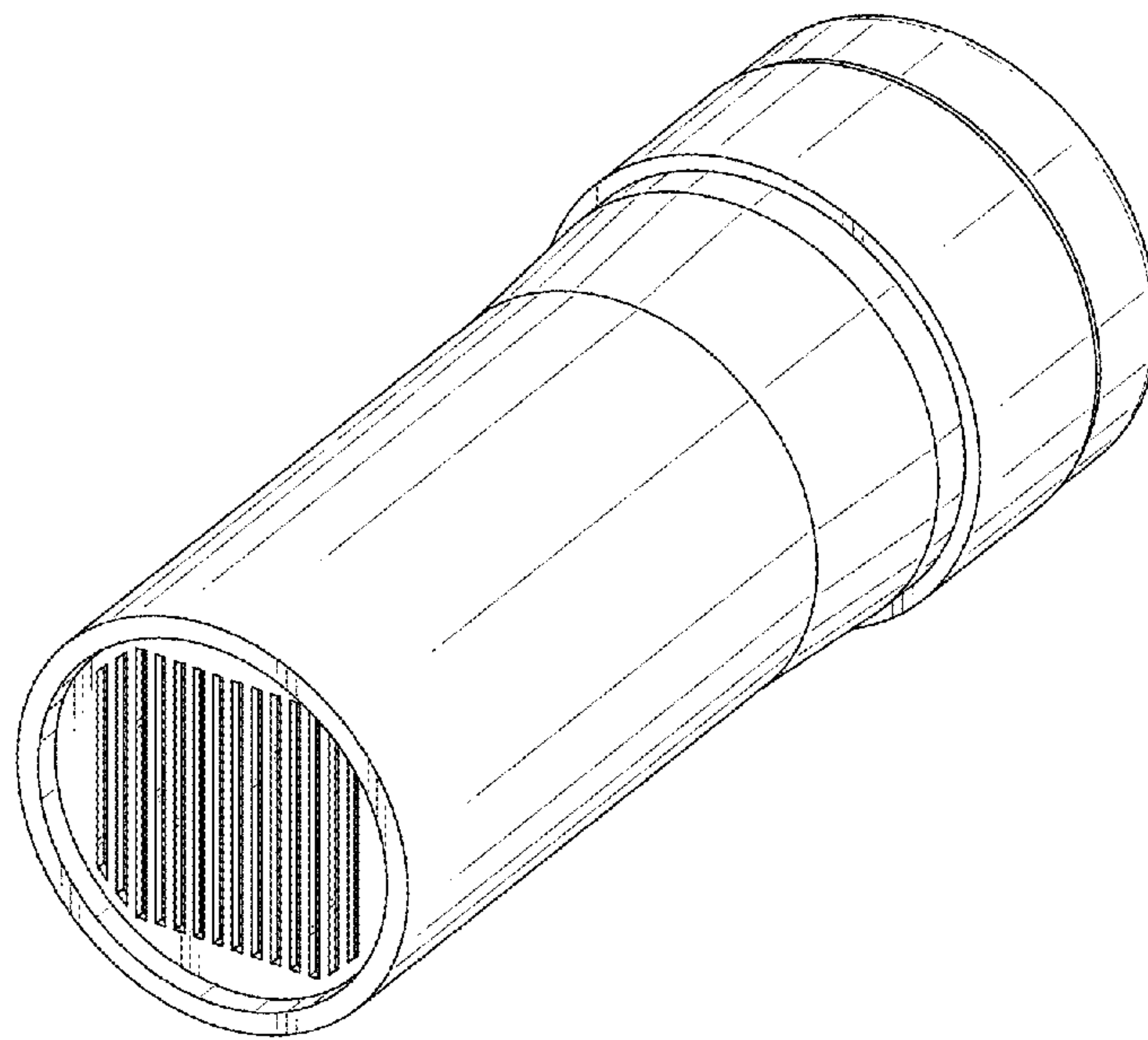


FIG. 2

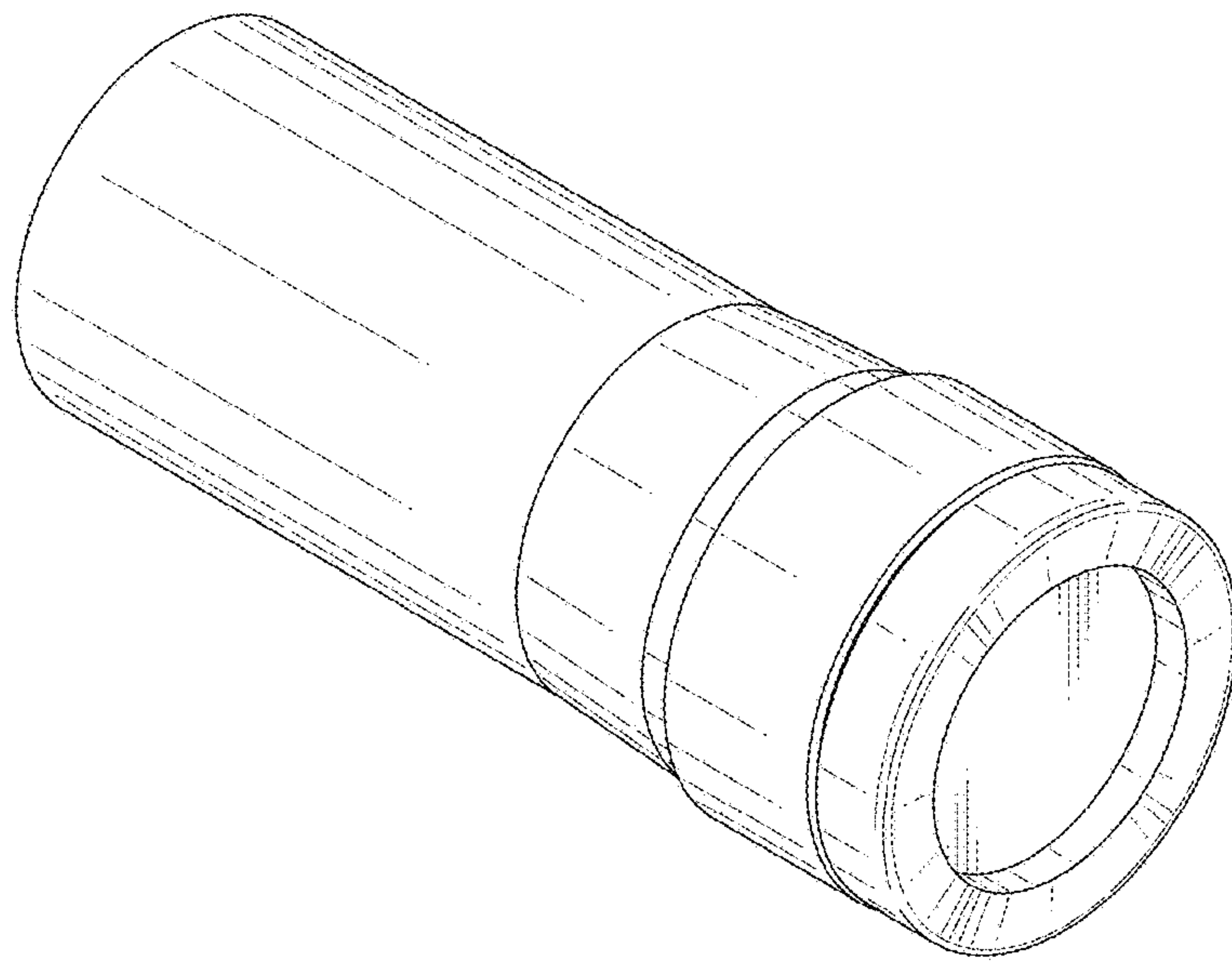


FIG. 3

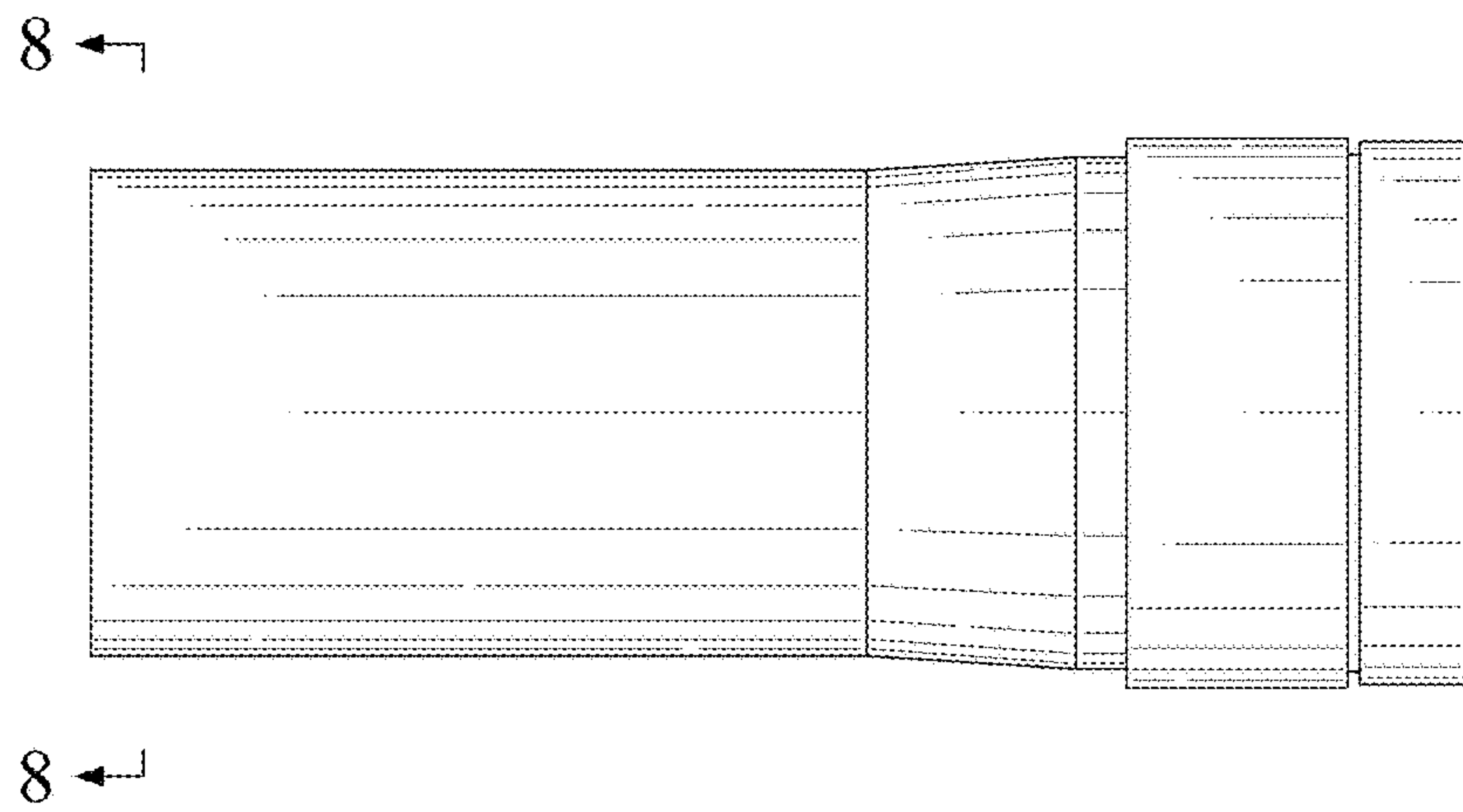


FIG. 4

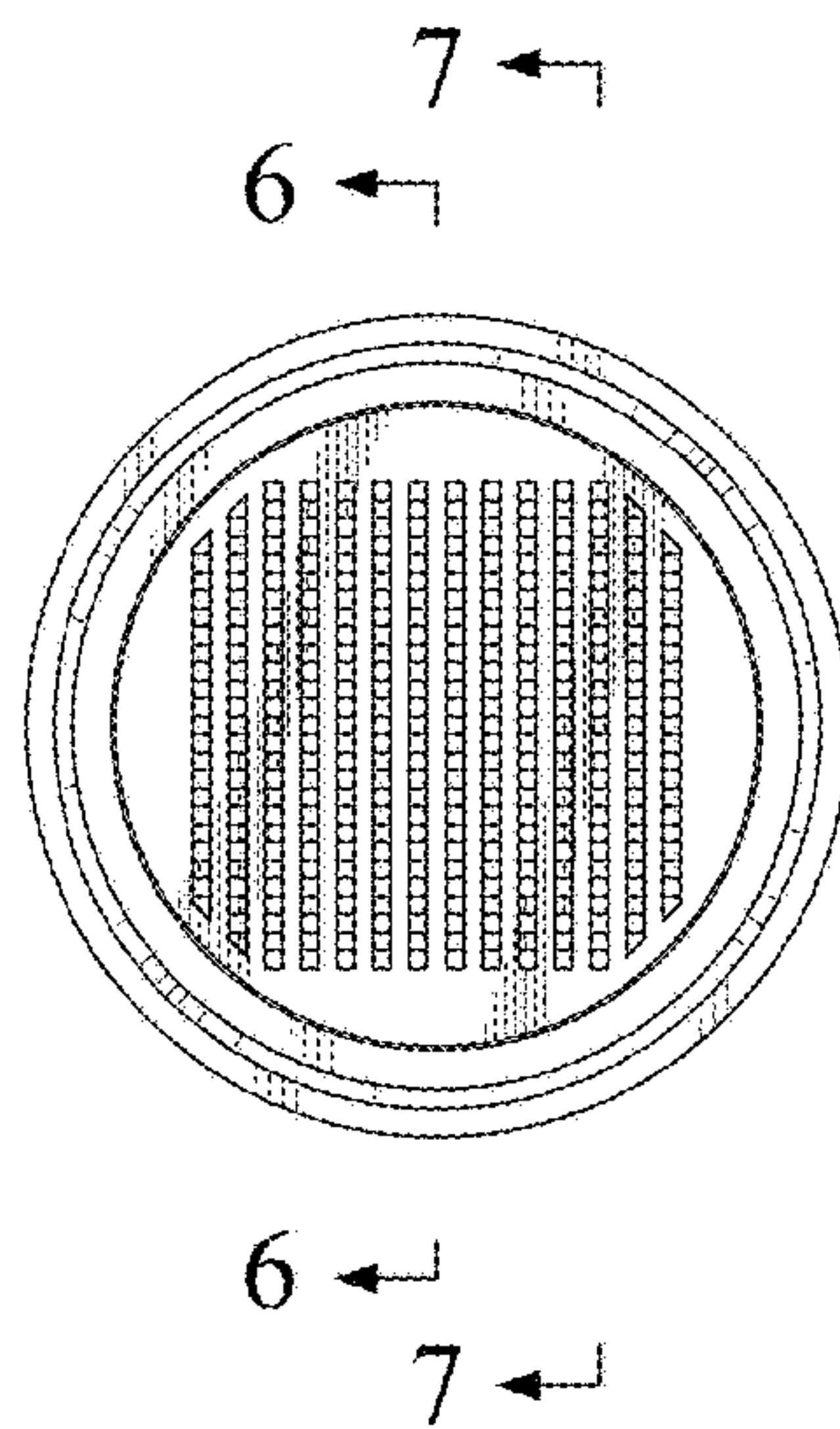


FIG. 5

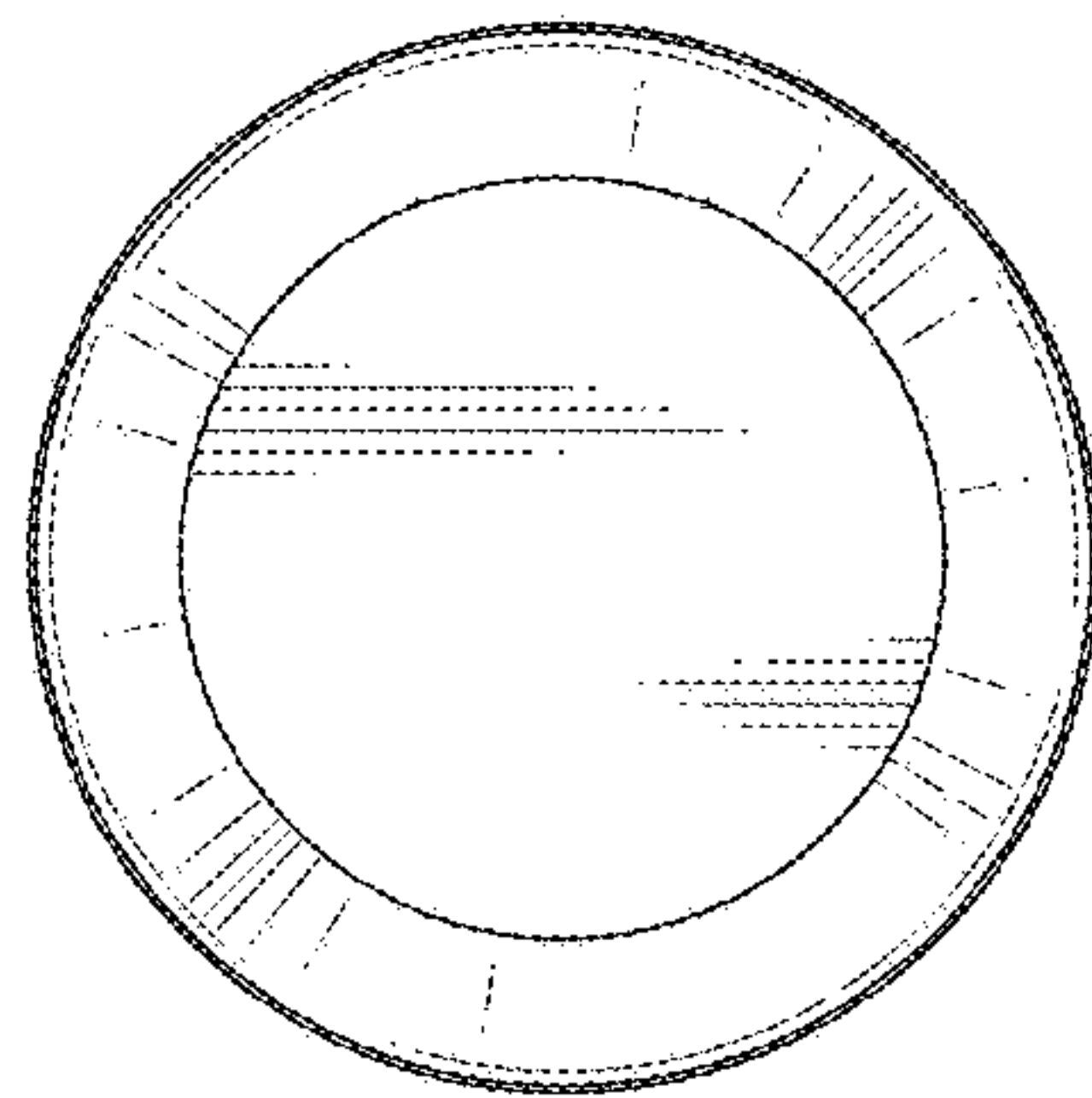


FIG. 6

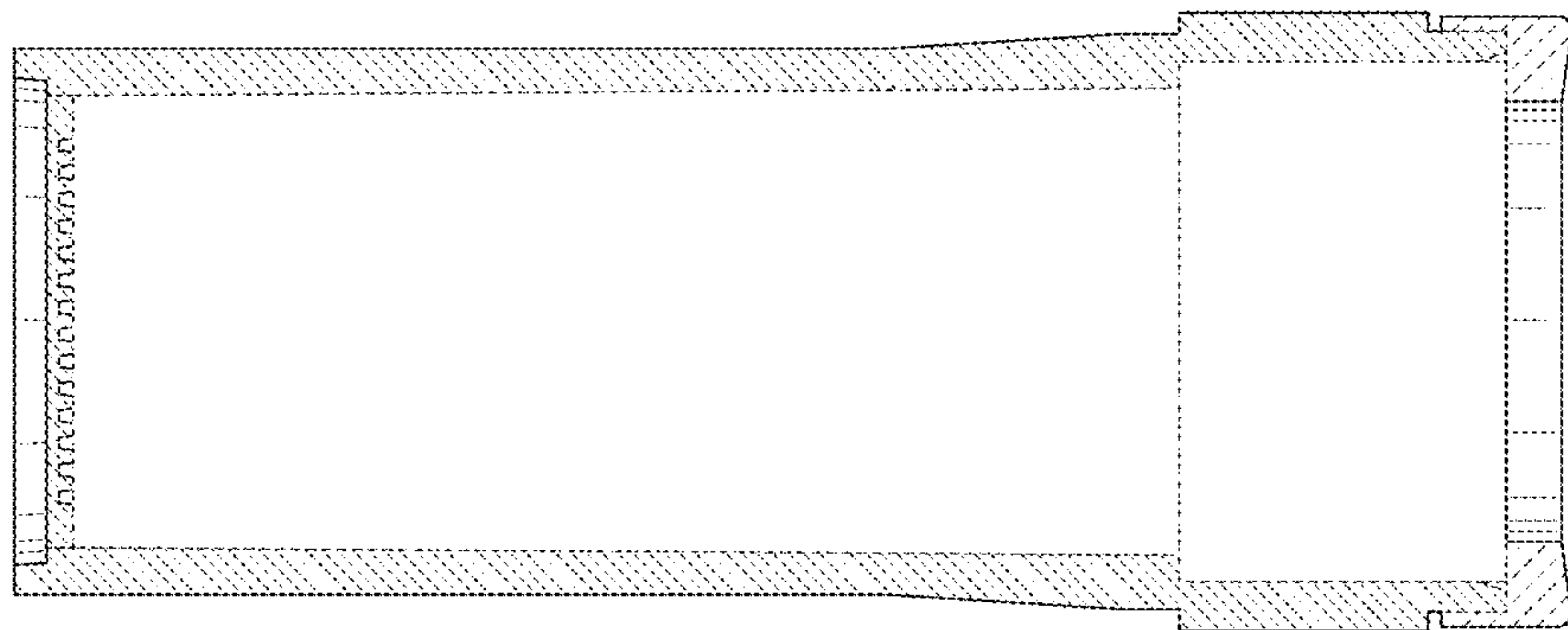


FIG. 7

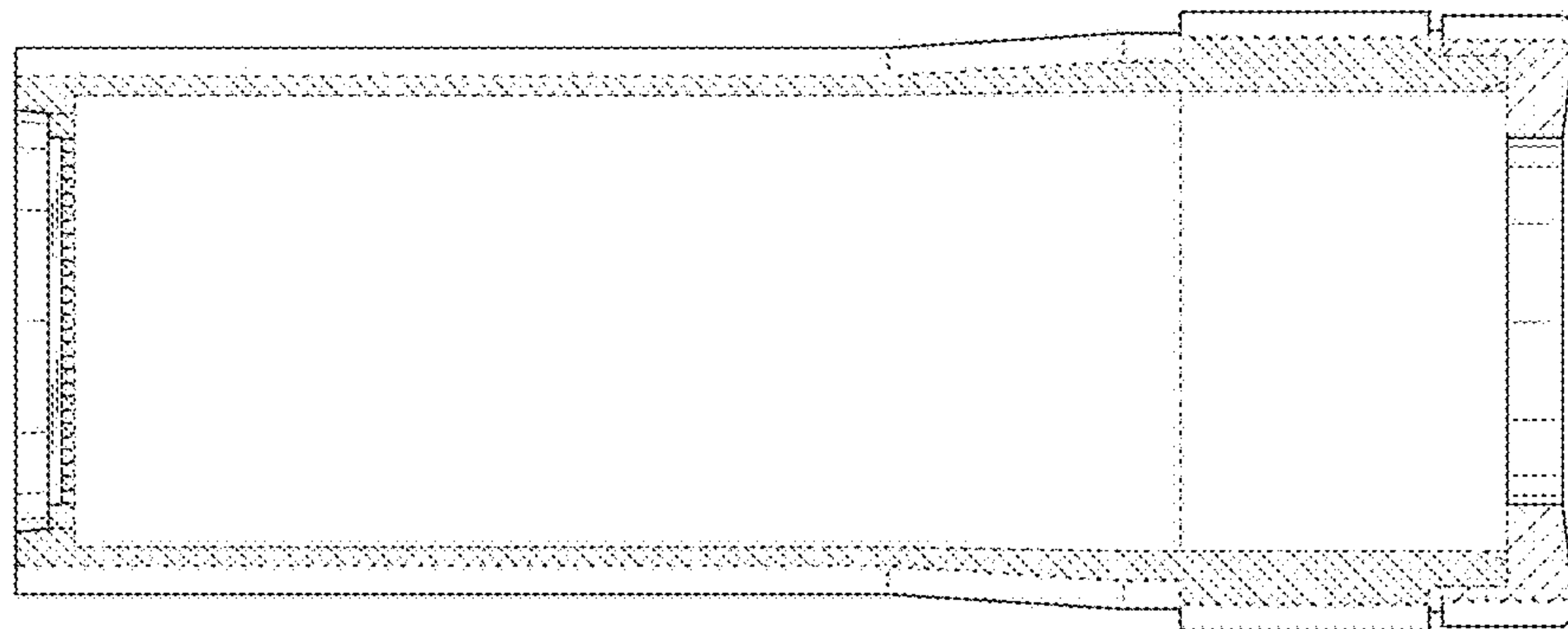


FIG. 8

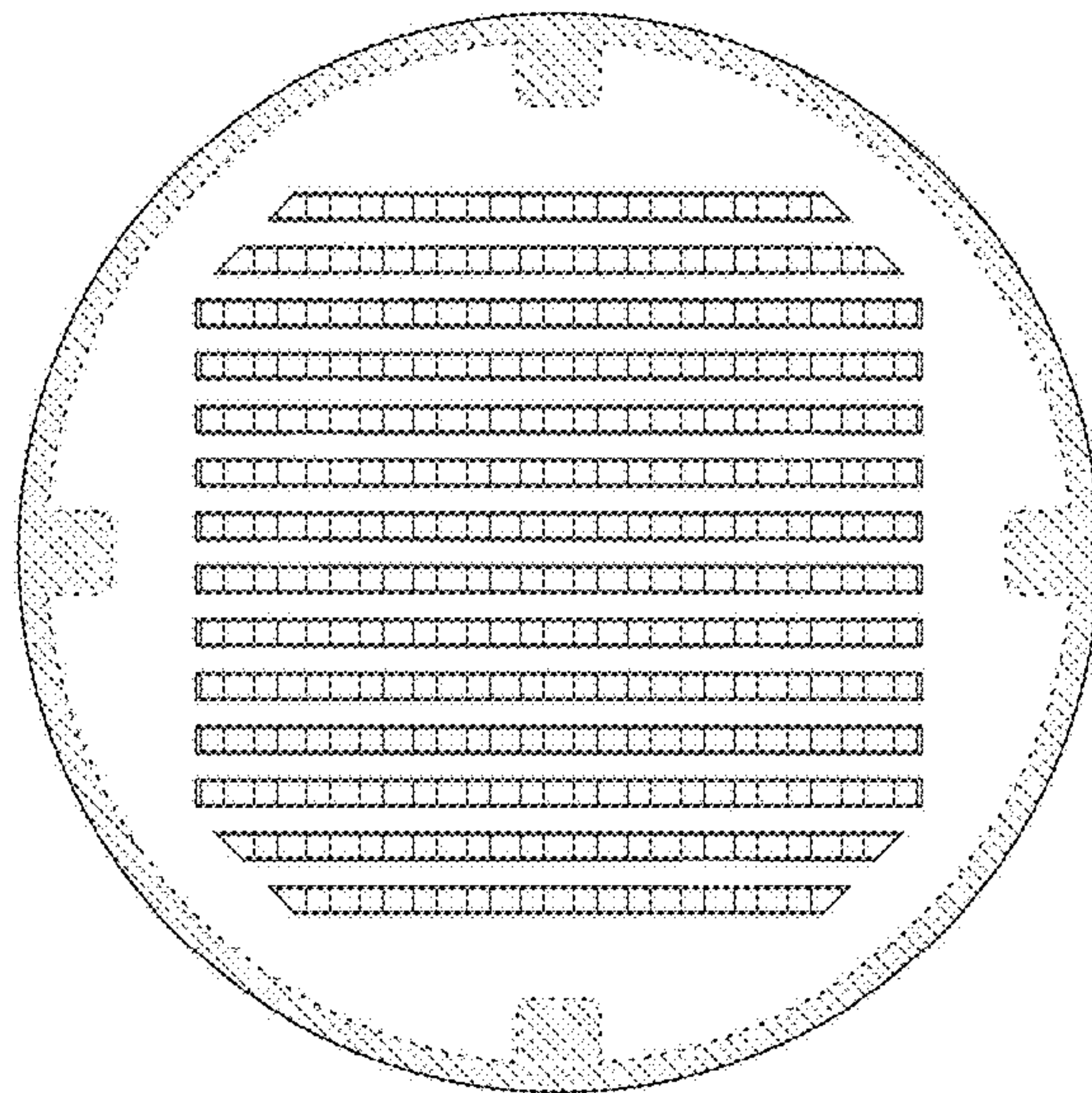


FIG. 9

