



US00D844232S

(12) **United States Design Patent**
Qiu

(10) **Patent No.:** **US D844,232 S**
(45) **Date of Patent:** **** Mar. 26, 2019**

- (54) **ELECTRONIC CIGARETTE**
- (71) Applicant: **Changzhou Patent Electronic Technology Co., LTD.**, Changzhou, Jiangsu (CN)
- (72) Inventor: **Weihua Qiu**, Jiangsu (CN)
- (73) Assignee: **CHANGZHOU PATENT ELECTRONIC TECHNOLOGY CO., LTD.**, Changzhou, Jiangsu (CN)
- (**) Term: **15 Years**
- (21) Appl. No.: **29/627,393**
- (22) Filed: **Nov. 27, 2017**

(30) **Foreign Application Priority Data**

Jul. 12, 2017 (CN) 2017 3 0306047

(51) **LOC (11) Cl.** **12-02**

(52) **U.S. Cl.**
USPC **D27/163**

(58) **Field of Classification Search**
USPC D27/100, 101, 162, 163-194;
D19/115-123, 161-169; D24/110;
D23/366
CPC A24F 47/008; A24F 47/002; A24F 47/02;
A61M 15/06
See application file for complete search history.

(56) **References Cited**

U.S. PATENT DOCUMENTS

D368,552 S *	4/1996	Adams	D27/194
D422,113 S *	3/2000	Higgins	D27/186
D424,236 S *	5/2000	Reed	D27/163
D433,532 S *	11/2000	Higgins	D27/186
D547,859 S *	7/2007	Choi	D24/113
D577,150 S *	9/2008	Bryman	D27/163

D579,544 S *	10/2008	Birath	D24/110
D579,545 S *	10/2008	Birath	D24/110
D579,547 S *	10/2008	Birath	D24/110
D629,154 S *	12/2010	Sung	D27/154
D649,708 S *	11/2011	Oneil	D27/163
D654,160 S *	2/2012	Yomtov	D23/360
D728,855 S *	5/2015	Liu	D27/163
D729,444 S *	5/2015	Leidel	D27/163
D729,445 S *	5/2015	Leidel	D27/163
D730,572 S *	5/2015	Leidel	D27/163
D731,114 S *	6/2015	Leidel	D27/163
D743,099 S *	11/2015	Oglesby	D27/101
D748,325 S *	1/2016	Leidel	D27/163
D753,336 S *	4/2016	Chen	D27/101
9,301,545 B2 *	4/2016	Li	A24F 15/18
D758,004 S *	5/2016	Freshwater	D27/163
D758,655 S *	6/2016	Freshwater	D27/163
D758,656 S *	6/2016	Freshwater	D27/163

(Continued)

Primary Examiner — Marissa J Cash

(74) *Attorney, Agent, or Firm* — Novick, Kim & Lee, PLLC; Allen Xue; Hyun Woo Shin

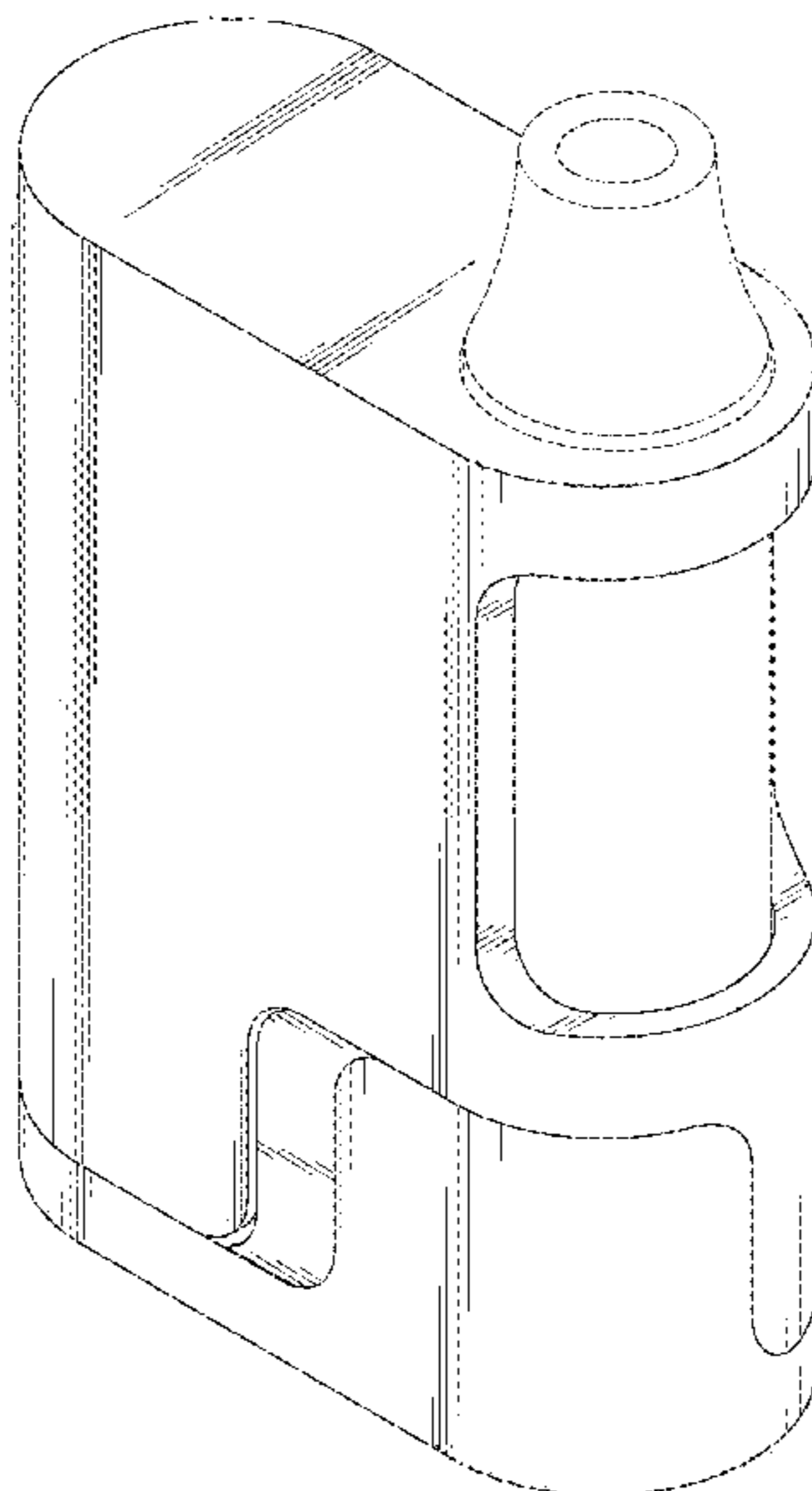
(57) **CLAIM**

I claim the ornamental design for an electronic cigarette, as shown and described.

DESCRIPTION

FIG. 1 is a top, front, right side perspective view of an electronic cigarette, showing my new design;
FIG. 2 is a bottom, front, left side perspective view thereof;
FIG. 3 is a front elevational view thereof;
FIG. 4 is a rear elevational view thereof;
FIG. 5 is a left side elevational view thereof;
FIG. 6 is a right side elevational view thereof;
FIG. 7 is a top plan view thereof; and,
FIG. 8 is a bottom plan view thereof.
The broken lines in the drawings show portions of the electronic cigarette that form no part of the claimed design.

1 Claim, 8 Drawing Sheets



(56)

References Cited

U.S. PATENT DOCUMENTS

D761,999 S *	7/2016	Liu	D27/101	D808,073 S *	1/2018	Leidel	D27/162
D769,520 S *	10/2016	Hua	D27/167	D808,792 S *	1/2018	Jaggi	D9/420
D770,678 S *	11/2016	Shin	D27/163	D809,191 S *	1/2018	Li	D27/101
D771,867 S *	11/2016	Leidel	D27/163	D809,192 S *	1/2018	Liu	D27/163
D772,477 S *	11/2016	Shin	D27/163	D814,693 S *	4/2018	Qiu	D27/101
D773,114 S *	11/2016	Leidel	D27/163	D815,347 S *	4/2018	Jones	D27/194
D773,116 S *	11/2016	Liu	D27/167	9,961,940 B2 *	5/2018	Anderson, Jr.	A24F 47/008
D775,414 S *	12/2016	Ampolini	D13/108	9,968,136 B1 *	5/2018	Bell	A24F 47/008
D775,762 S *	1/2017	Chen	D27/101	D819,880 S *	6/2018	Qiu	D27/101
D780,373 S *	2/2017	Bennett	D27/186	D819,882 S *	6/2018	Qiu	D27/101
D788,362 S *	5/2017	Qiu	D27/101	D821,639 S *	6/2018	Dai	D27/162
D788,364 S *	5/2017	Chen	D27/163	D821,640 S *	6/2018	Qiu	D27/162
D790,766 S *	6/2017	Li	D27/163	2017/0006918 A1 *	1/2017	Chen	A24F 47/008
D792,020 S *	7/2017	Mendoza	D27/101	2017/0208863 A1 *	7/2017	Davis	A24F 47/008
D792,021 S *	7/2017	Beer	D27/101	2017/0208864 A1 *	7/2017	Anderson, Jr.	A24F 47/008
D799,111 S *	10/2017	Qiu	D27/101	2017/0245550 A1 *	8/2017	Freeland	A24F 47/008
D799,743 S *	10/2017	Qiu	D27/101	2017/0290371 A1 *	10/2017	Davis	A24F 47/008
D799,746 S *	10/2017	Leidel	D27/163	2017/0367406 A1 *	12/2017	Schuler	A24F 47/008
D800,377 S *	10/2017	Liu	D27/101	2018/0007967 A1 *	1/2018	Davis	A24F 47/008
D801,507 S *	10/2017	Kelnhofer	D23/366	2018/0013175 A1 *	1/2018	Liu	H01M 10/425
D802,834 S *	11/2017	Mathias	D27/163	2018/0035715 A1 *	2/2018	Wu	A24F 47/008
D805,685 S *	12/2017	Lee	D27/101	2018/0070638 A1 *	3/2018	Qiu	A24F 47/008
D807,286 S *	1/2018	Qiu	D13/103	2018/0084828 A1 *	3/2018	Phillips	A24F 47/008
D807,576 S *	1/2018	Liu	D27/163	2018/0084836 A1 *	3/2018	Perez	B65D 85/54
D807,577 S *	1/2018	Ward	D27/167	2018/0110943 A1 *	4/2018	Raichman	A61M 15/06
D807,818 S *	1/2018	Mathias	D13/107	2018/0116281 A1 *	5/2018	Anderson, Jr.	A24F 47/008
D808,071 S *	1/2018	Folkerts	D27/101	2018/0132526 A1 *	5/2018	Davis	A24F 47/008
				2018/0153219 A1 *	6/2018	Verleur	A24F 47/008
				2018/0160739 A1 *	6/2018	Chen	A24F 47/008
				2018/0166238 A1 *	6/2018	Chen	H01H 36/02

* cited by examiner

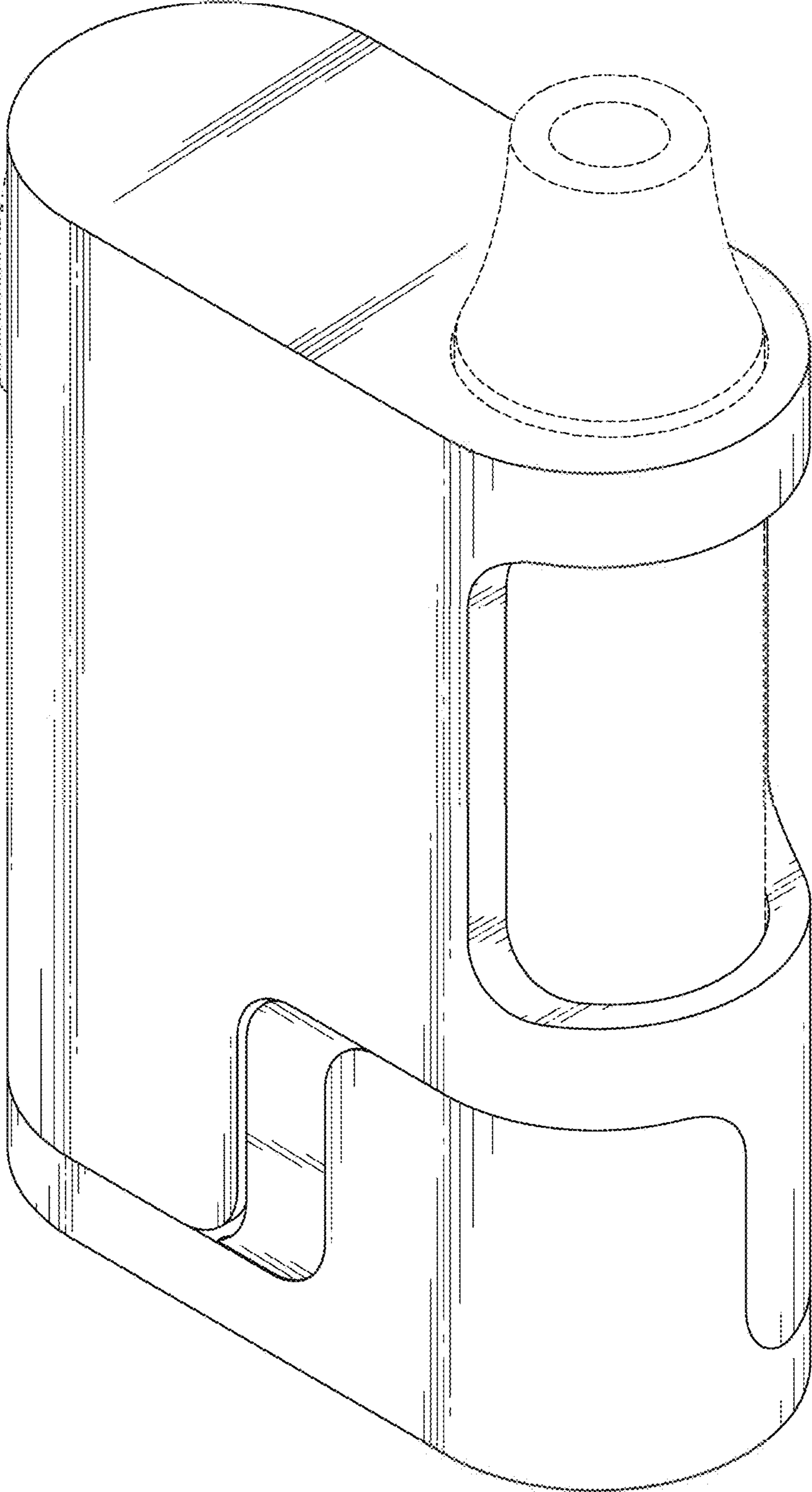


FIG. 1

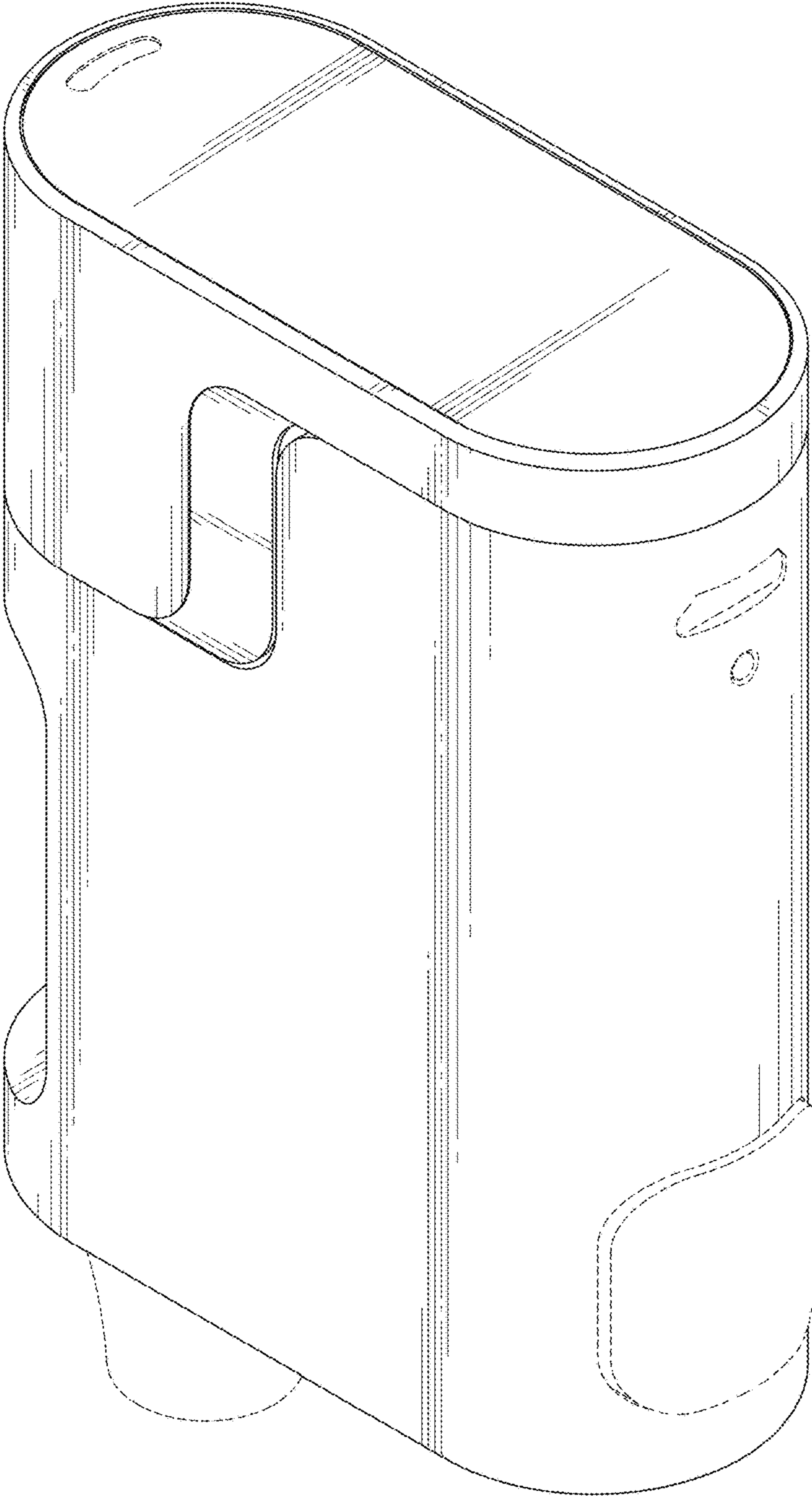


FIG. 2

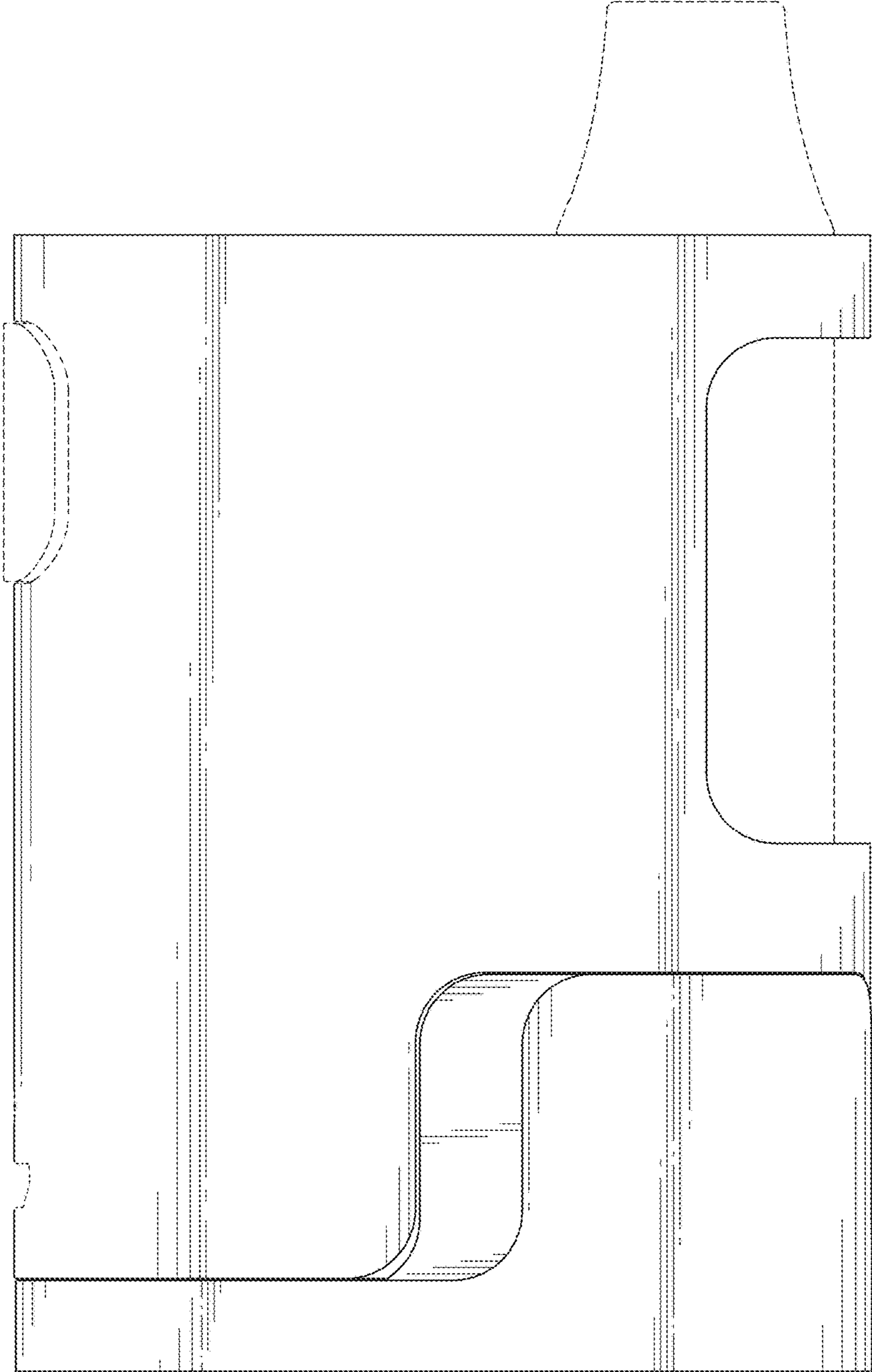


FIG. 3

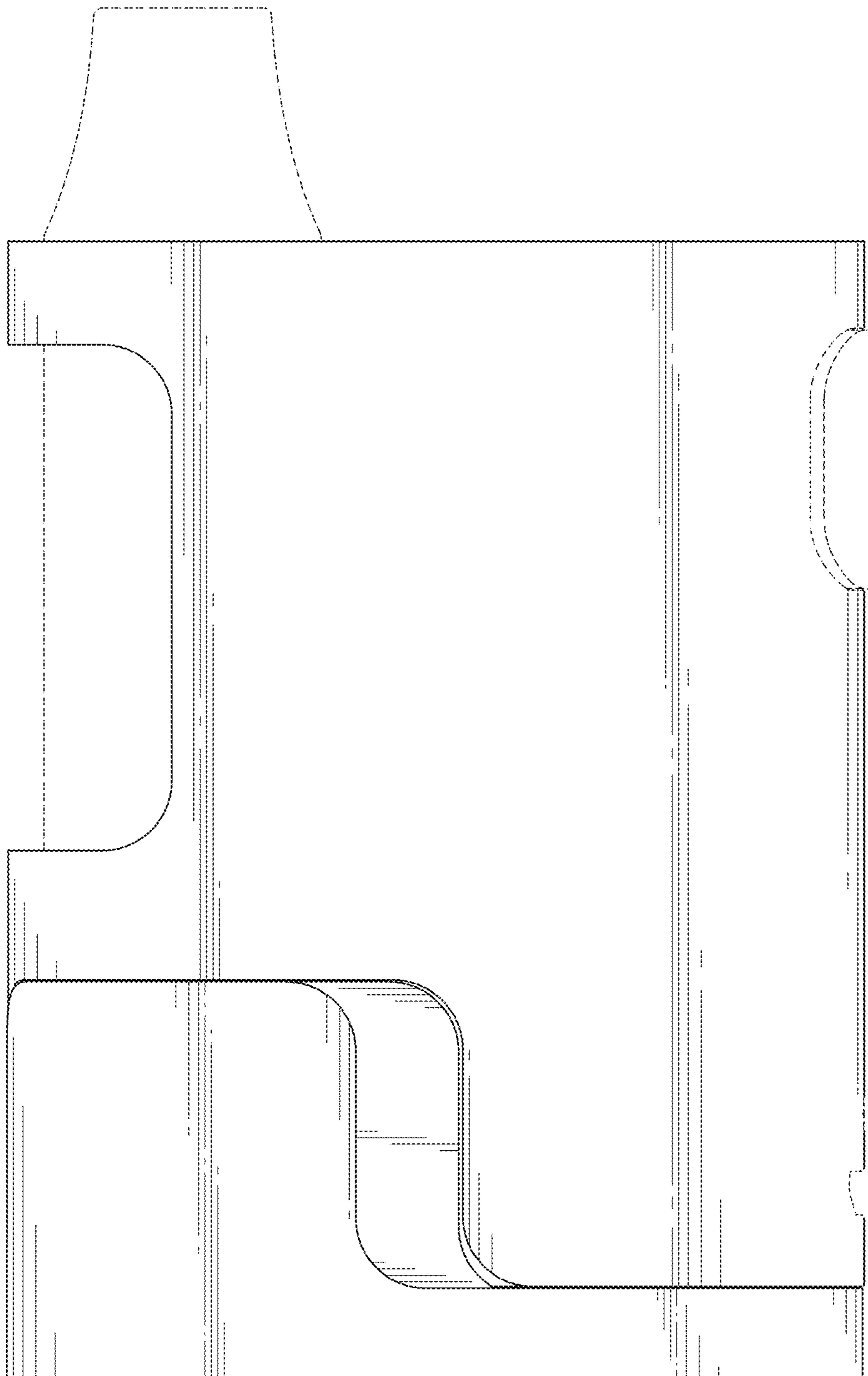


FIG. 4

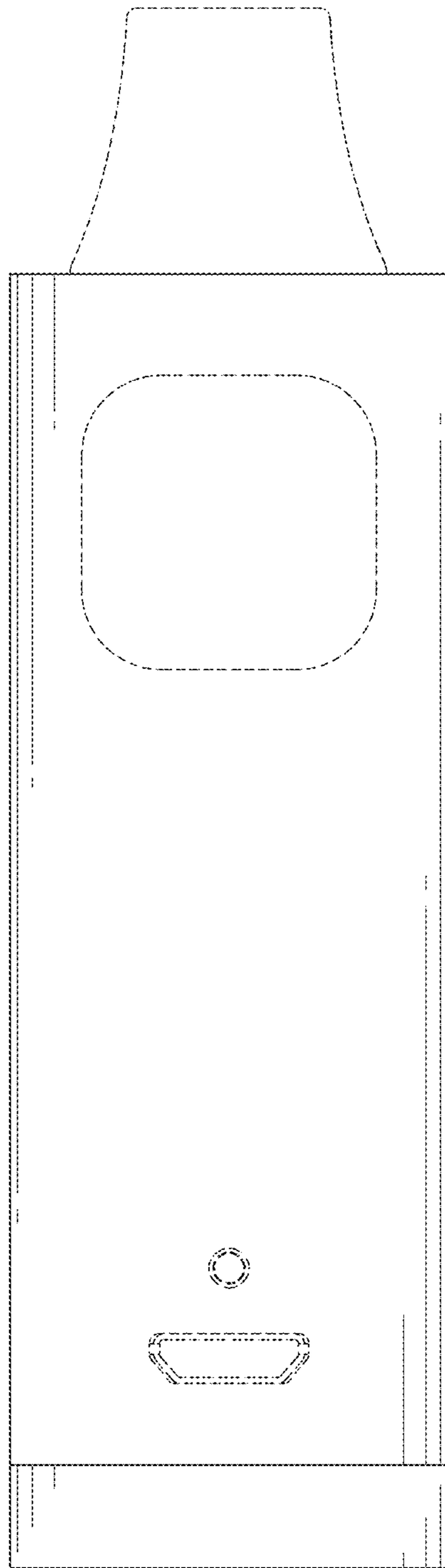


FIG. 5

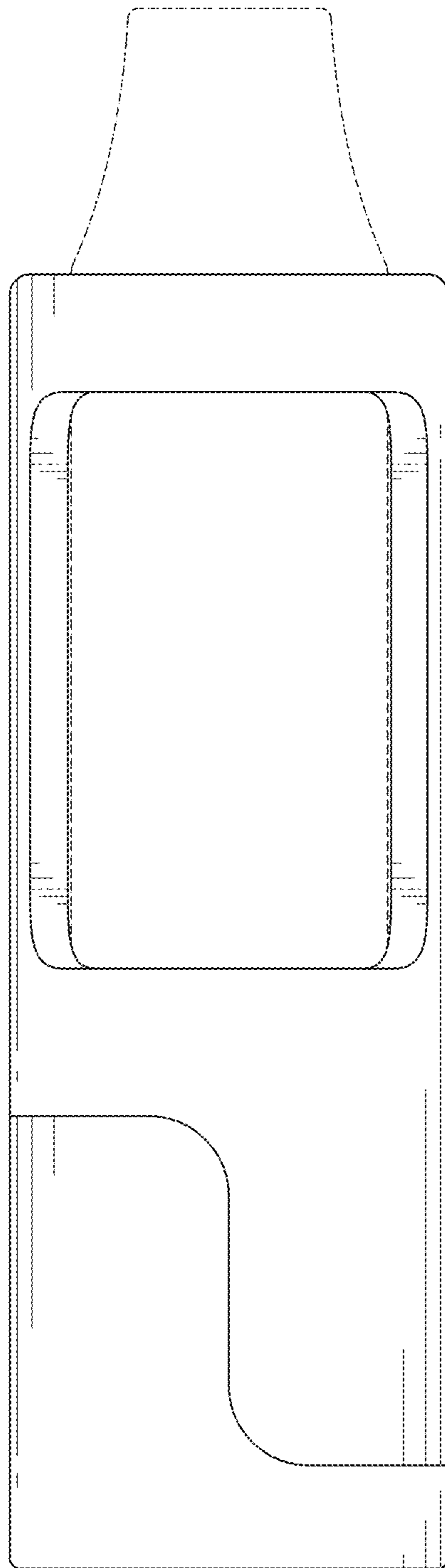


FIG.6

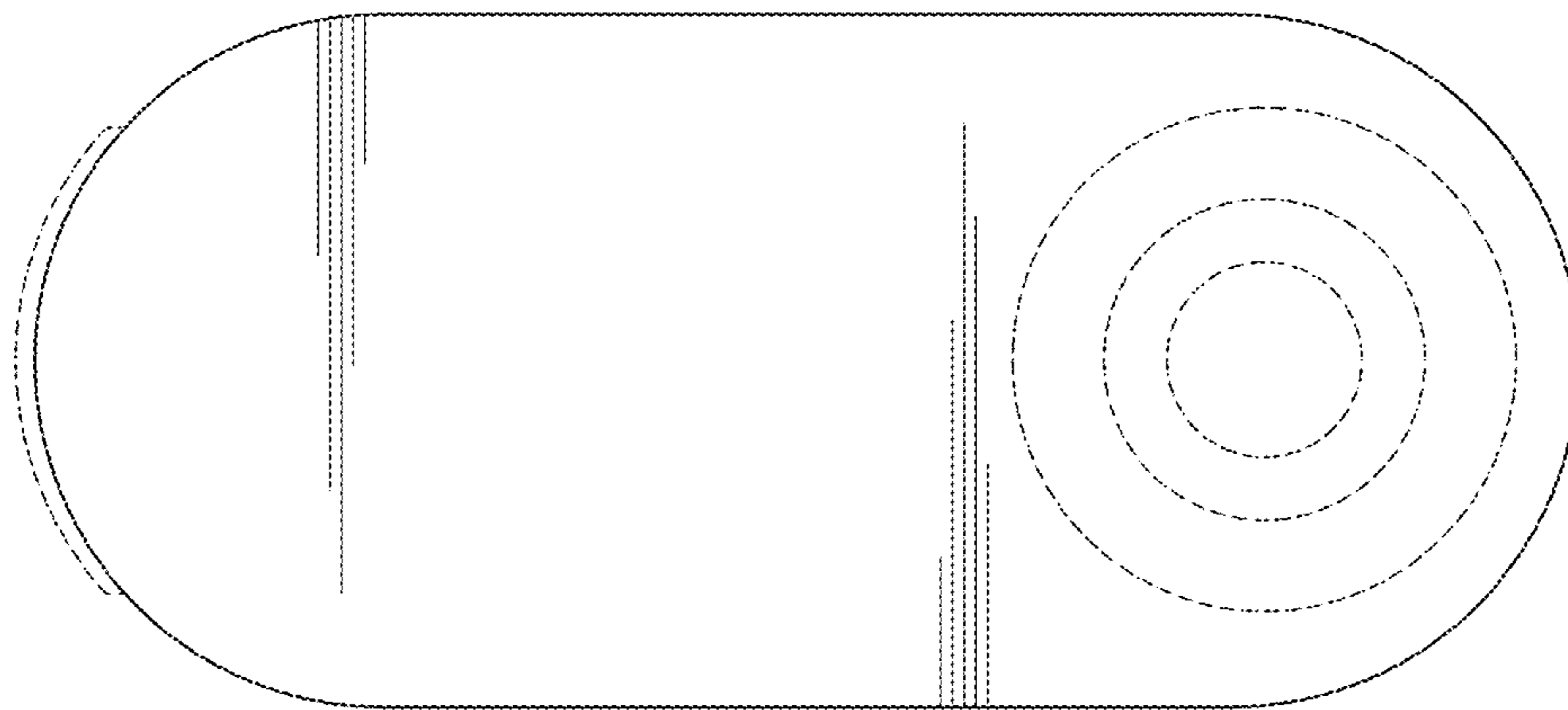


FIG. 7

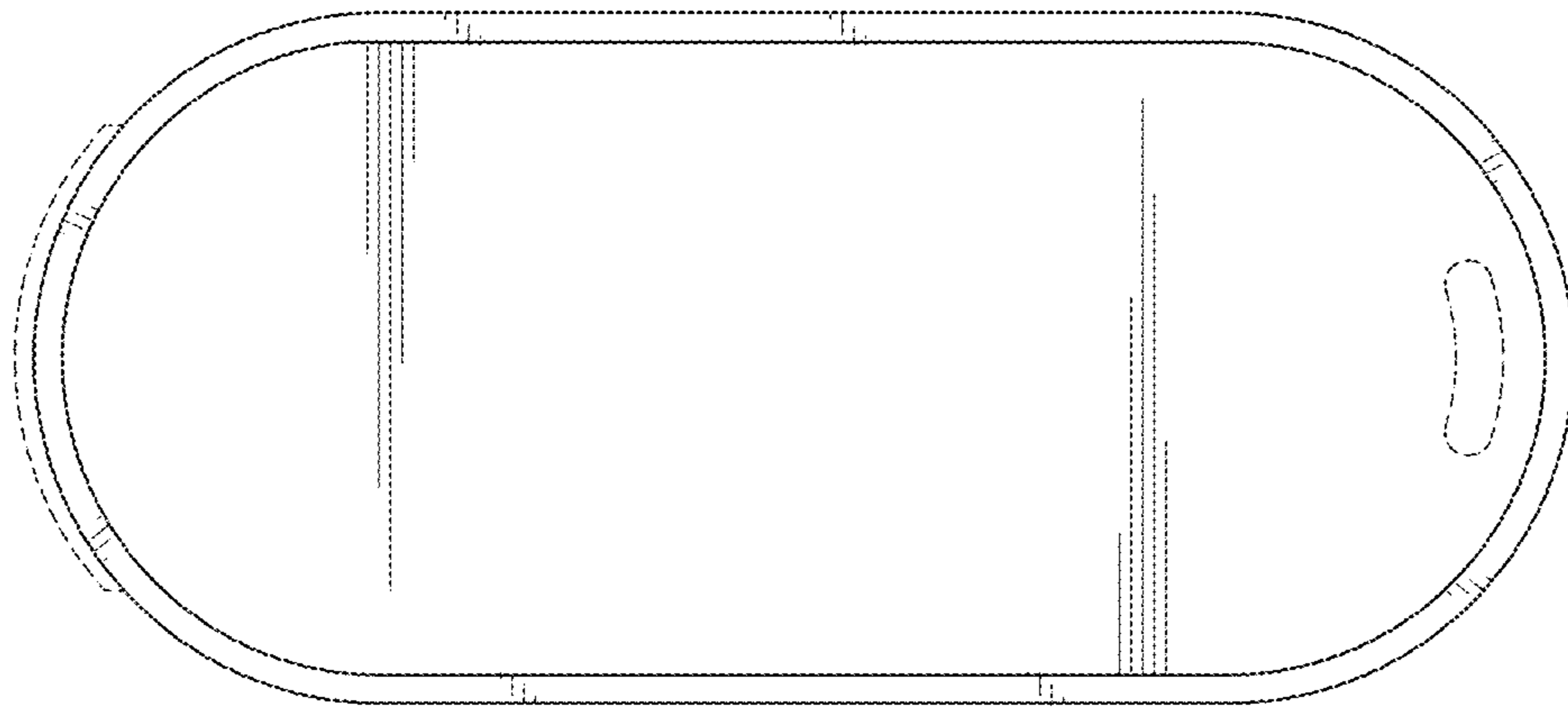


FIG. 8