



US00D844231S

(12) **United States Design Patent**  
**Klimczyk**

(10) **Patent No.:** **US D844,231 S**

(45) **Date of Patent:** **\*\* Mar. 26, 2019**

- (54) **WATER PIPE**
- (71) Applicant: **LA MONTAGNE VERTE**, Paris (FR)
- (72) Inventor: **Jakub Klimczyk**, Paris (FR)
- (73) Assignee: **La Montagne Verte**, Paris (FR)
- (\*\*) Term: **15 Years**
- (21) Appl. No.: **29/623,509**
- (22) Filed: **Oct. 25, 2017**
- (30) **Foreign Application Priority Data**

D649,698 S *	11/2011	Mehio	.....	D27/162
D649,699 S *	11/2011	Mehio	.....	D27/162
D649,700 S *	11/2011	Mehio	.....	D27/162
D649,701 S *	11/2011	Mehio	.....	D27/162
D649,702 S *	11/2011	Mehio	.....	D27/162
D649,703 S *	11/2011	Mehio	.....	D27/162
D649,704 S *	11/2011	Mehio	.....	D27/162
D649,705 S *	11/2011	Mehio	.....	D27/162
D649,706 S *	11/2011	Mehio	.....	D27/162
D649,707 S *	11/2011	Mehio	.....	D27/162
D664,292 S *	7/2012	Person	.....	D27/139
D680,684 S *	4/2013	Enshiwat	.....	D27/162
D686,776 S *	7/2013	Mehio	.....	D27/169
D710,052 S *	7/2014	Lanca	.....	D27/162
D724,783 S *	3/2015	Liu	.....	D27/162
D728,854 S *	5/2015	Siniakov	.....	D27/162
D729,443 S *	5/2015	Mehio	.....	D27/162

(Continued)

Jul. 11, 2017 (EM) ..... 004097566

- (51) **LOC (11) Cl.** ..... **27-02**
- (52) **U.S. Cl.**  
USPC ..... **D27/162**
- (58) **Field of Classification Search**  
USPC ..... D27/100, 101, 139-161, 162-196;  
D24/110; D23/366; D3/273; D9/455,  
D9/456  
CPC ..... A24F 15/00; A24F 9/16; A24F 47/002;  
A24F 1/00  
See application file for complete search history.

**FOREIGN PATENT DOCUMENTS**

EM 002683870-0001 \* 4/2015

*Primary Examiner* — Marissa J Cash

(74) *Attorney, Agent, or Firm* — Millen, White, Zelano & Branigan, P.C.; William Nixon

(57) **CLAIM**

The ornamental design for a water pipe, as shown and described.

(56) **References Cited**

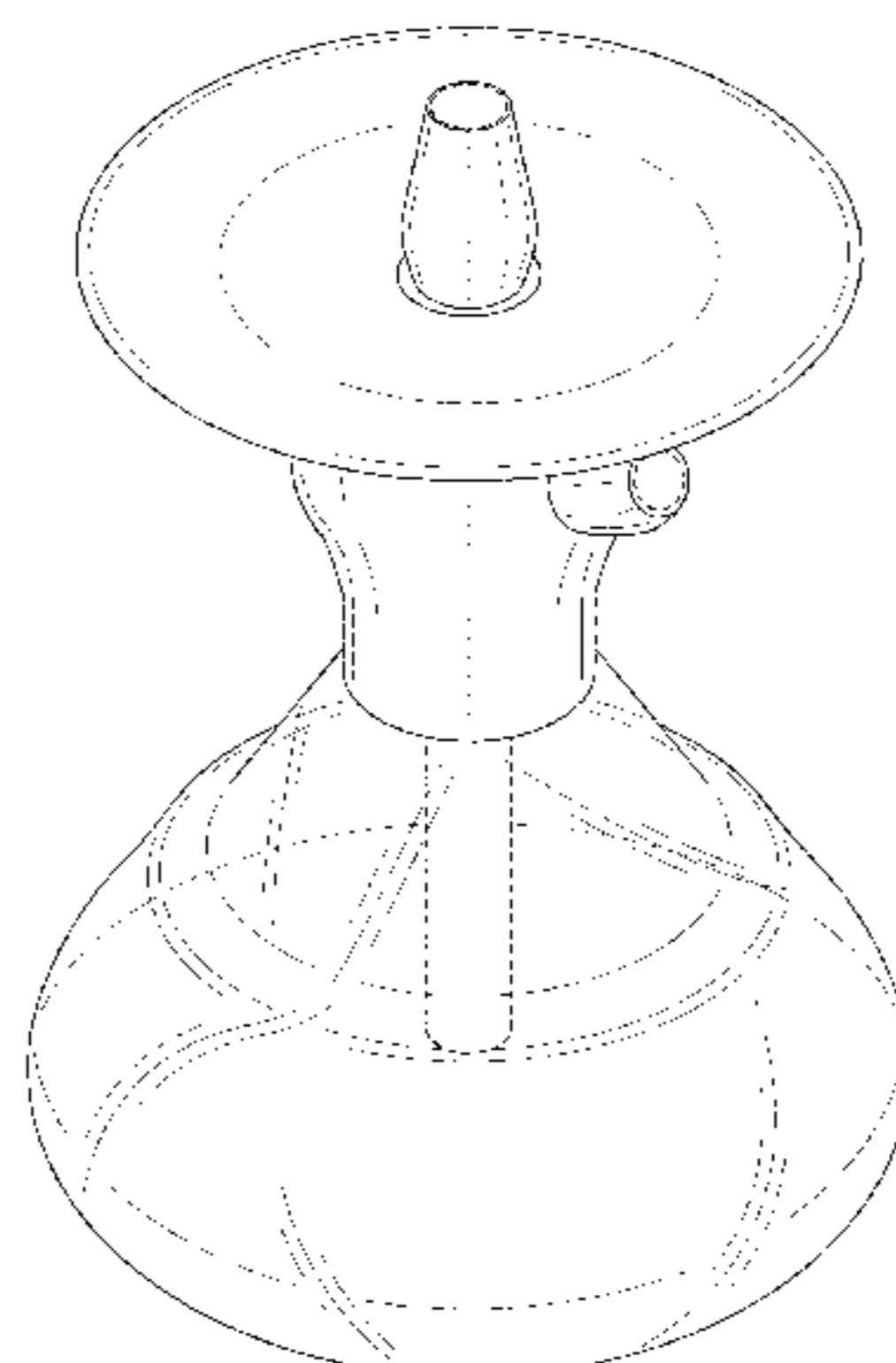
**U.S. PATENT DOCUMENTS**

D262,144 S *	12/1981	Sher	.....	D27/162
D262,145 S *	12/1981	Sher	.....	D27/162
D273,713 S *	5/1984	Sher	.....	D27/162
D273,714 S *	5/1984	Sher	.....	D27/162
D349,780 S *	8/1994	Heine	.....	D27/162
D358,227 S *	5/1995	Heine	.....	D27/162
D368,325 S *	3/1996	Heine	.....	D27/162
D547,489 S *	7/2007	Kassir	.....	D27/162
D547,902 S *	7/2007	Kassir	.....	D27/162
D618,389 S *	6/2010	Masri	.....	D27/162
D632,426 S *	2/2011	Badawi	.....	D27/162
D649,696 S *	11/2011	Mehio	.....	D27/162
D649,697 S *	11/2011	Mehio	.....	D27/162

**DESCRIPTION**

FIG. 1 is a top-front right side perspective view of a water pipe;  
 FIG. 2 is a front view thereof;  
 FIG. 3 is a back view thereof;  
 FIG. 4 is a right side view thereof;  
 FIG. 5 is a left side view thereof;  
 FIG. 6 is a bottom plan view thereof; and,  
 FIG. 7 is a top plan view thereof.  
 The broken lines in the drawings depict portions of the water pipe that form no part of the claimed design.

**1 Claim, 7 Drawing Sheets**



(56)

**References Cited**

## U.S. PATENT DOCUMENTS

D729,975	S	*	5/2015	Mehio	.....	D27/162
D731,705	S	*	6/2015	Nadeem	.....	D27/162
D742,587	S	*	11/2015	Masri	.....	D27/162
D745,738	S	*	12/2015	Abdelmaseh	.....	D27/162
D745,739	S	*	12/2015	Abadi	.....	D27/162
D745,994	S	*	12/2015	Hanna	.....	D27/162
D745,995	S	*	12/2015	Albathe	.....	D27/162
D747,549	S	*	1/2016	Stowers	.....	D27/167
D754,392	S	*	4/2016	Helou	.....	D27/162
D754,914	S	*	4/2016	Helou	.....	D27/162
D754,915	S	*	4/2016	Helou	.....	D27/162
D755,439	S	*	5/2016	Helou	.....	D27/162
D757,357	S	*	5/2016	Helfrich	.....	D27/167
D757,998	S	*	5/2016	Elhalwani	.....	D27/162
D762,002	S	*	7/2016	Liu	.....	D27/162
D772,479	S	*	11/2016	Stowers	.....	D27/167
D784,611	S	*	4/2017	Eng	.....	D27/162
D790,767	S	*	6/2017	Rush	.....	D27/168
D806,945	S	*	1/2018	Lepper	.....	D27/163
D813,367	S	*	3/2018	Situ	.....	D23/366
2006/0107964	A1	*	5/2006	Ohanesian	.....	A24F 1/30
						131/173
2006/0207621	A1	*	9/2006	Shraiber	.....	A24B 13/00
						131/348
2009/0095310	A1	*	4/2009	Chaoui	.....	A24F 1/30
						131/173
2010/0326453	A1	*	12/2010	Chaoui	.....	A24F 1/30
						131/173
2013/0032159	A1	*	2/2013	Capuano	.....	A24F 1/30
						131/329
2014/0130811	A1	*	5/2014	Touzjian	.....	A24F 1/30
						131/173

\* cited by examiner

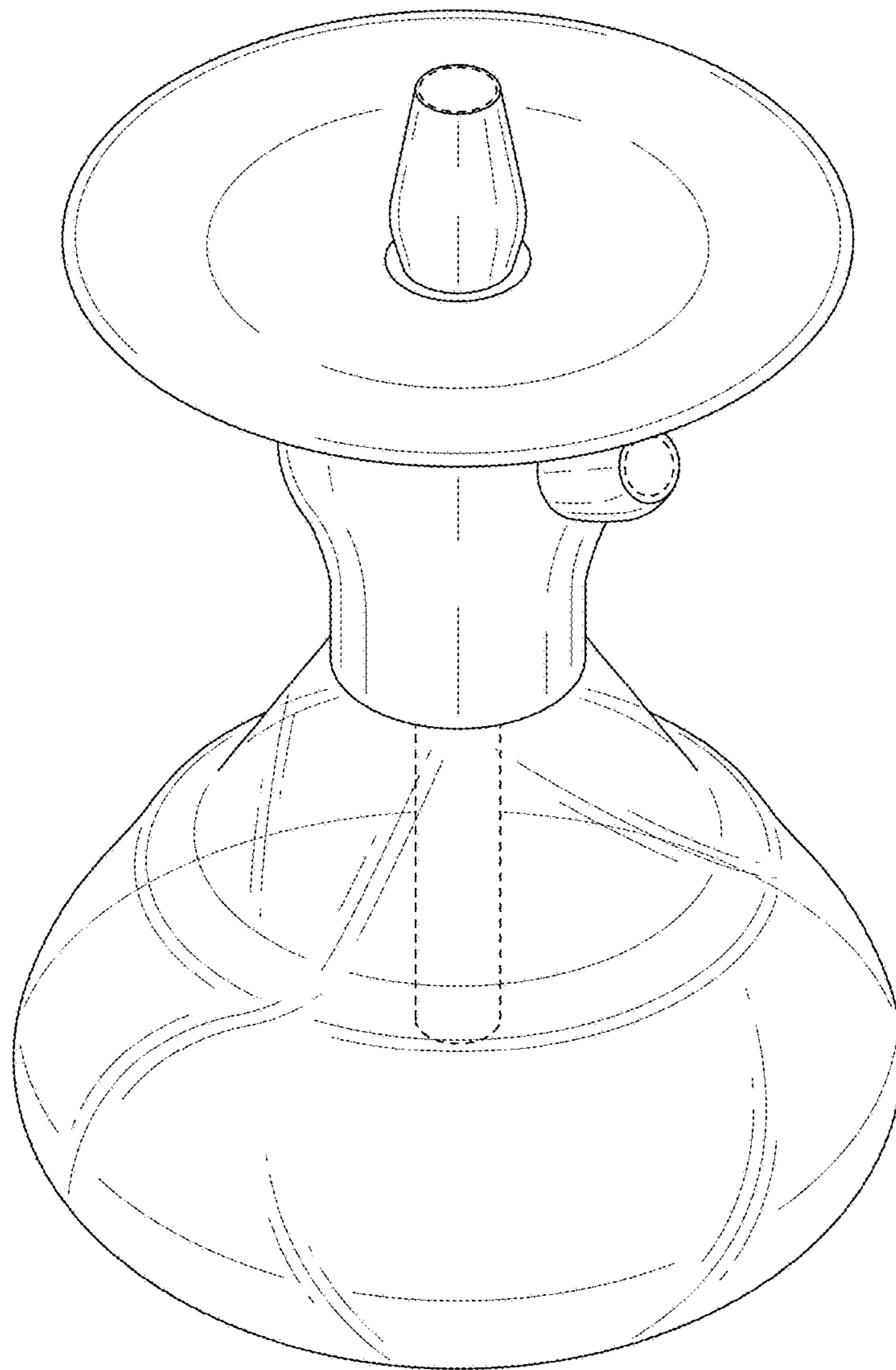


FIG. 1

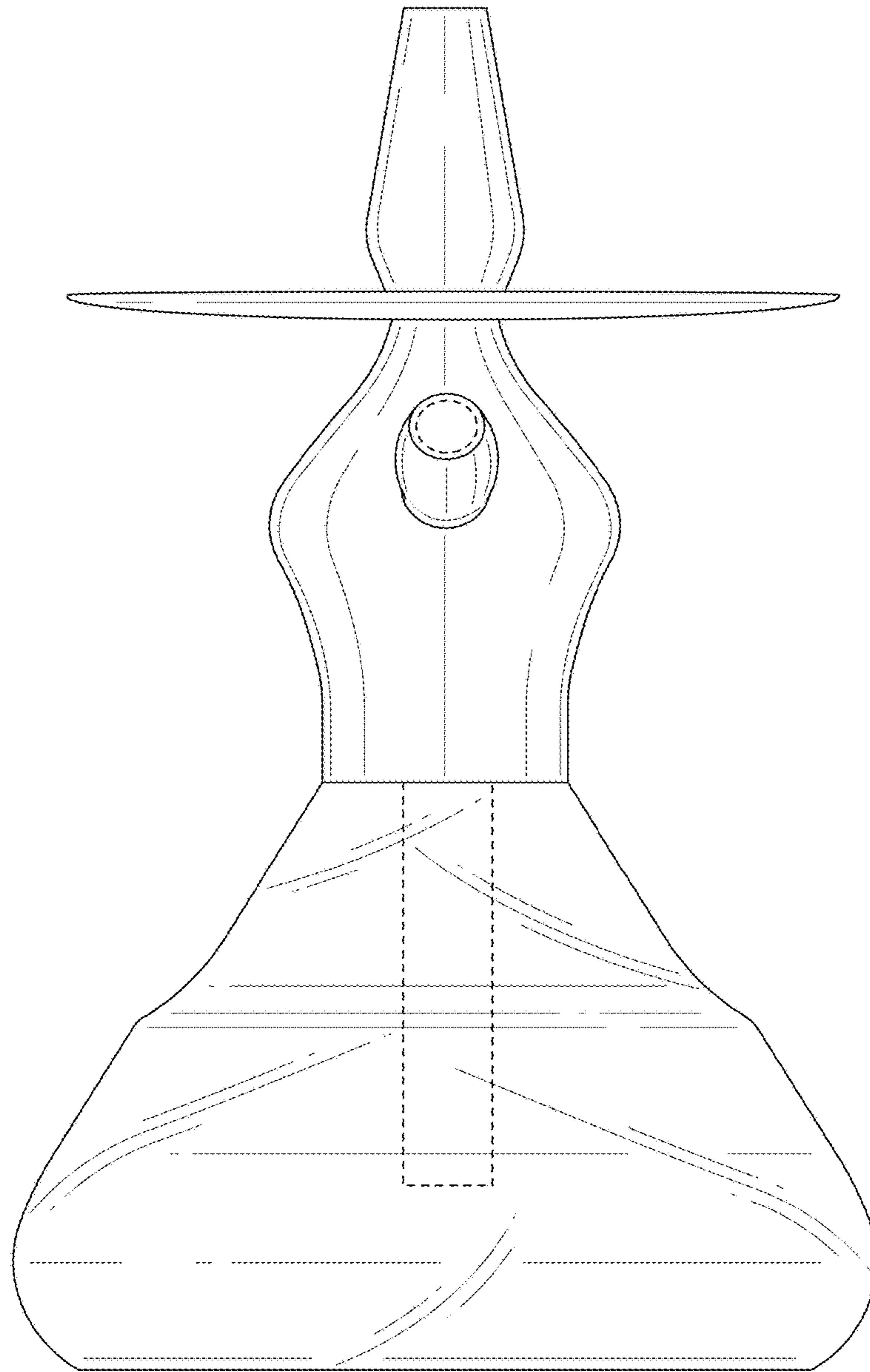


FIG. 2

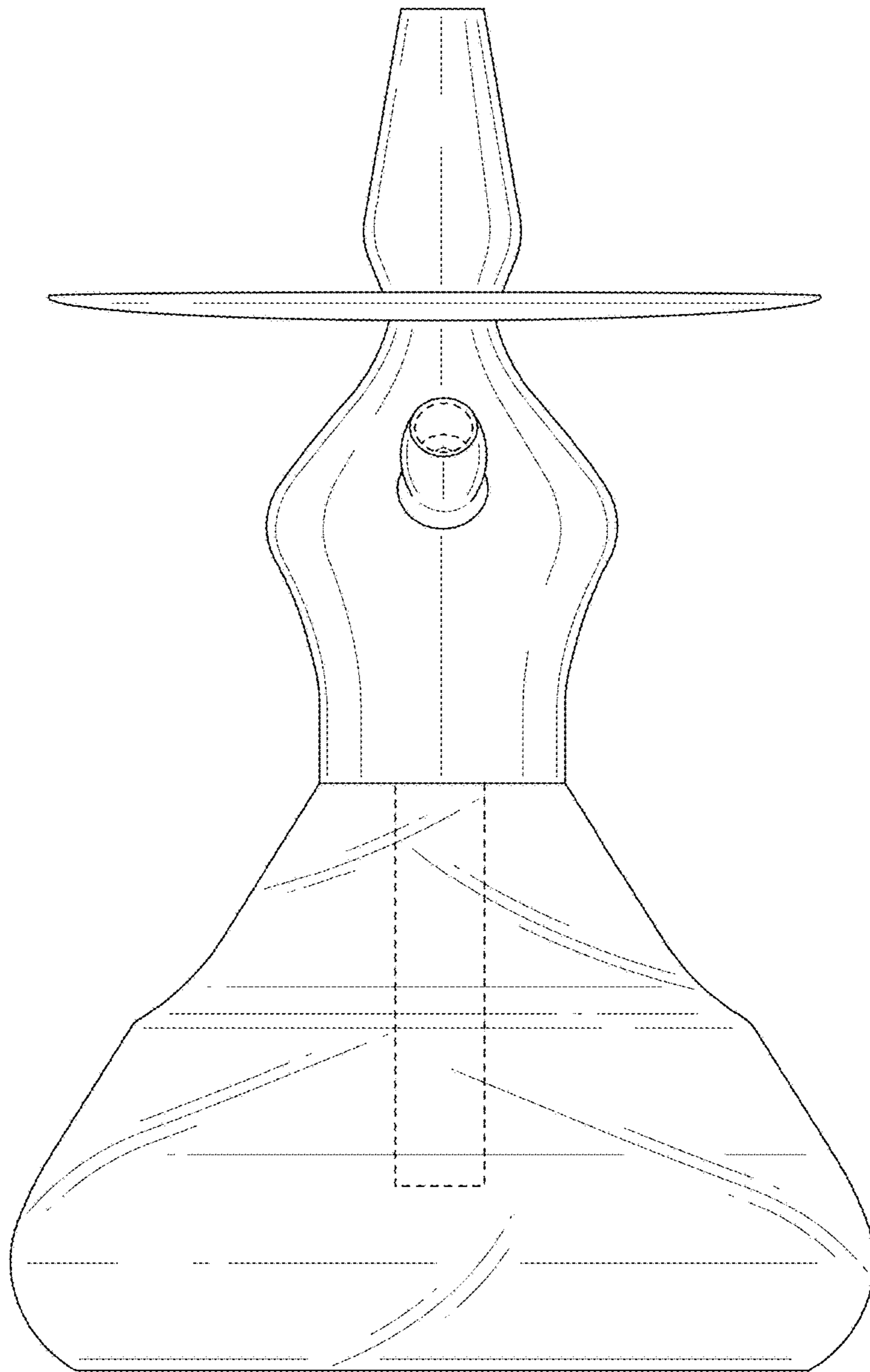


FIG. 3

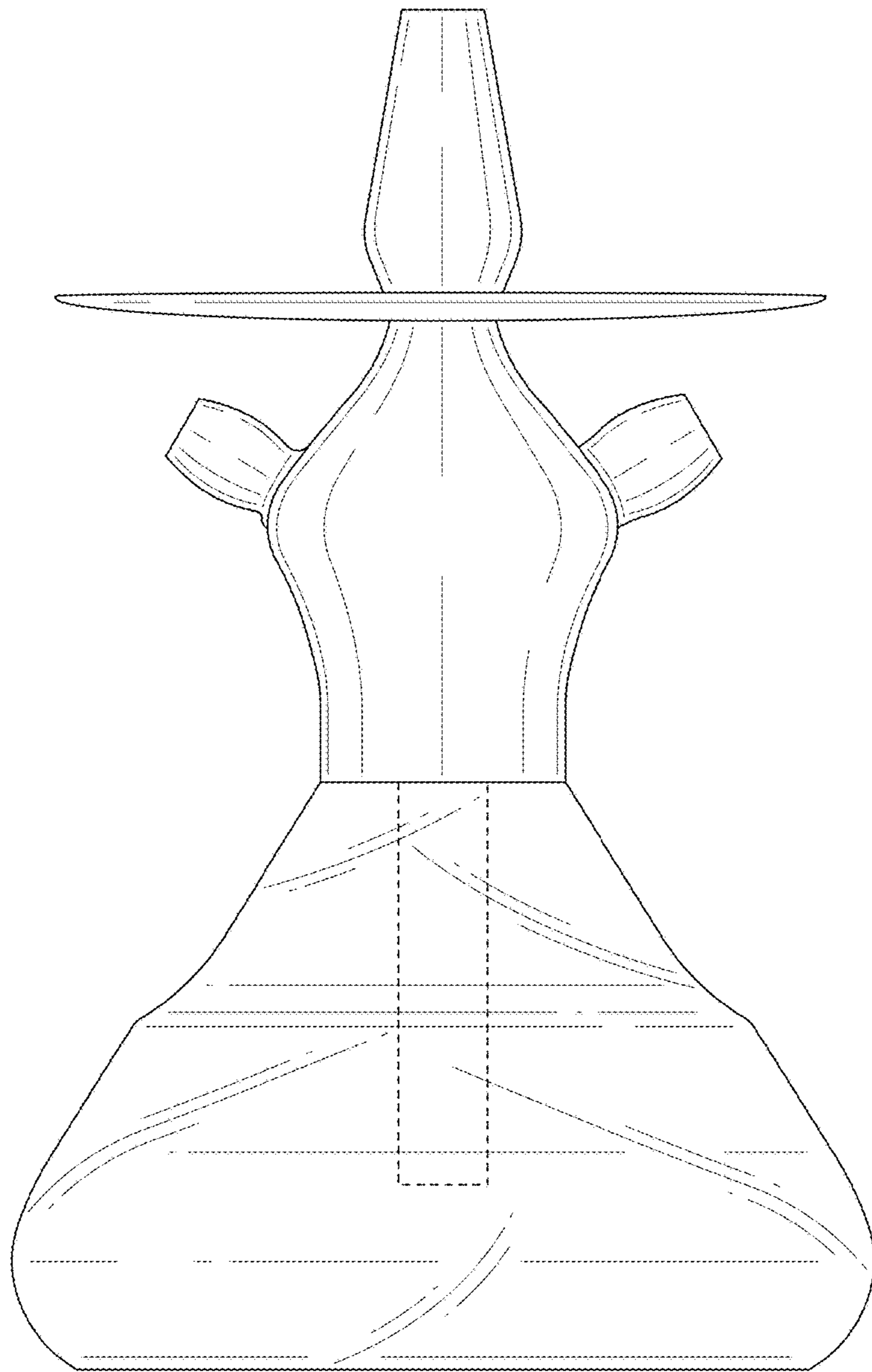


FIG. 4

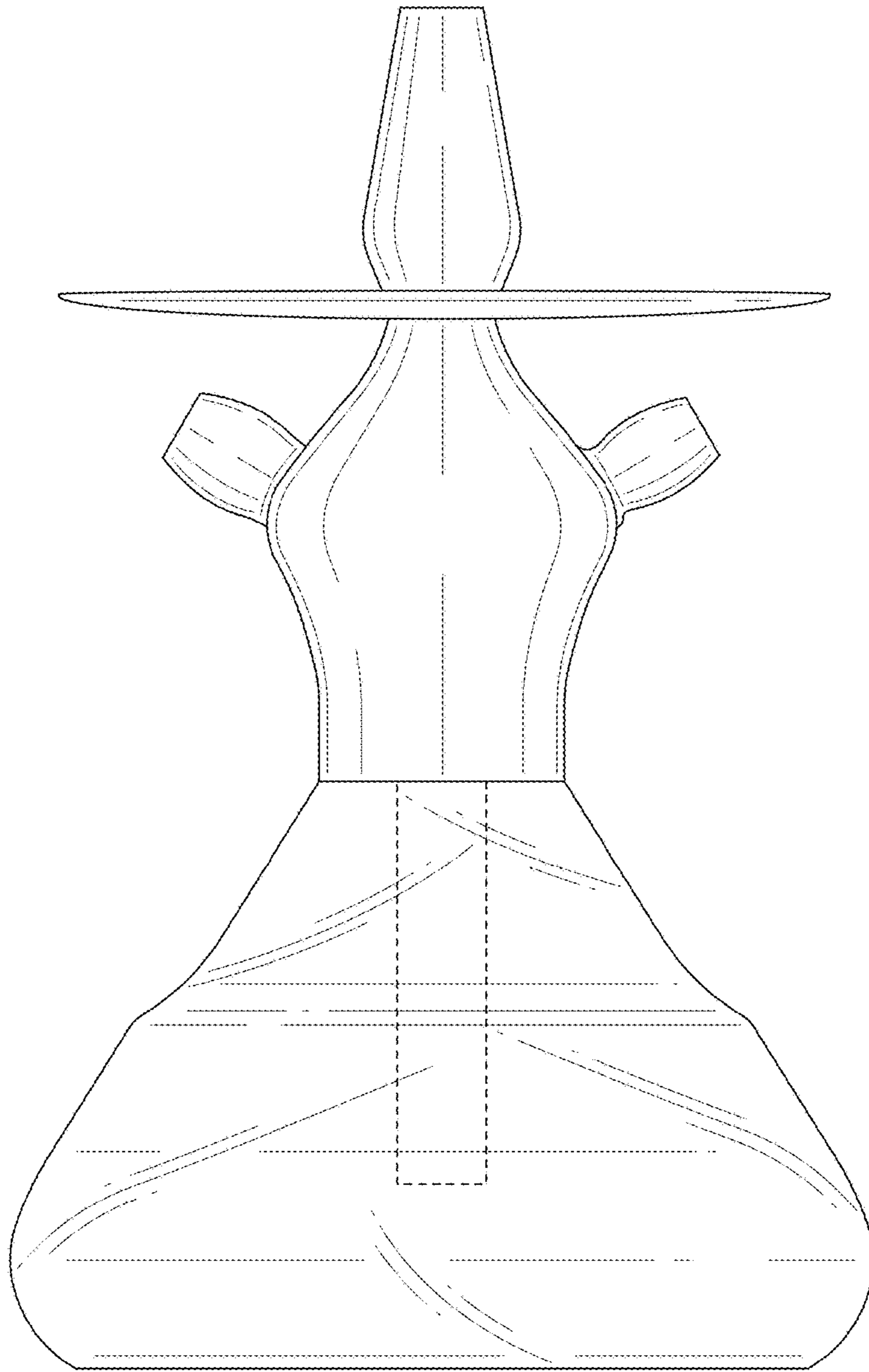


FIG. 5

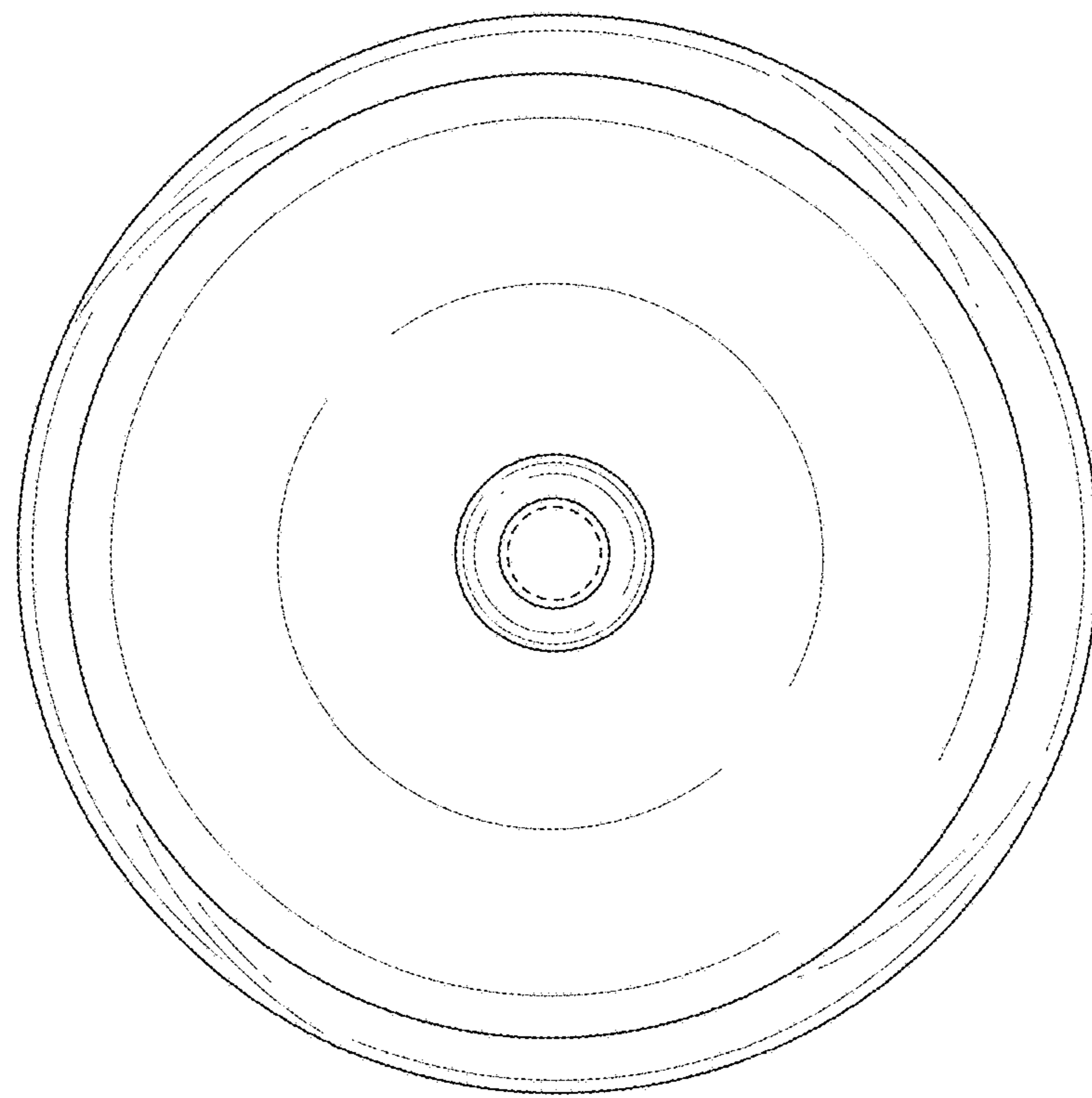


FIG. 6



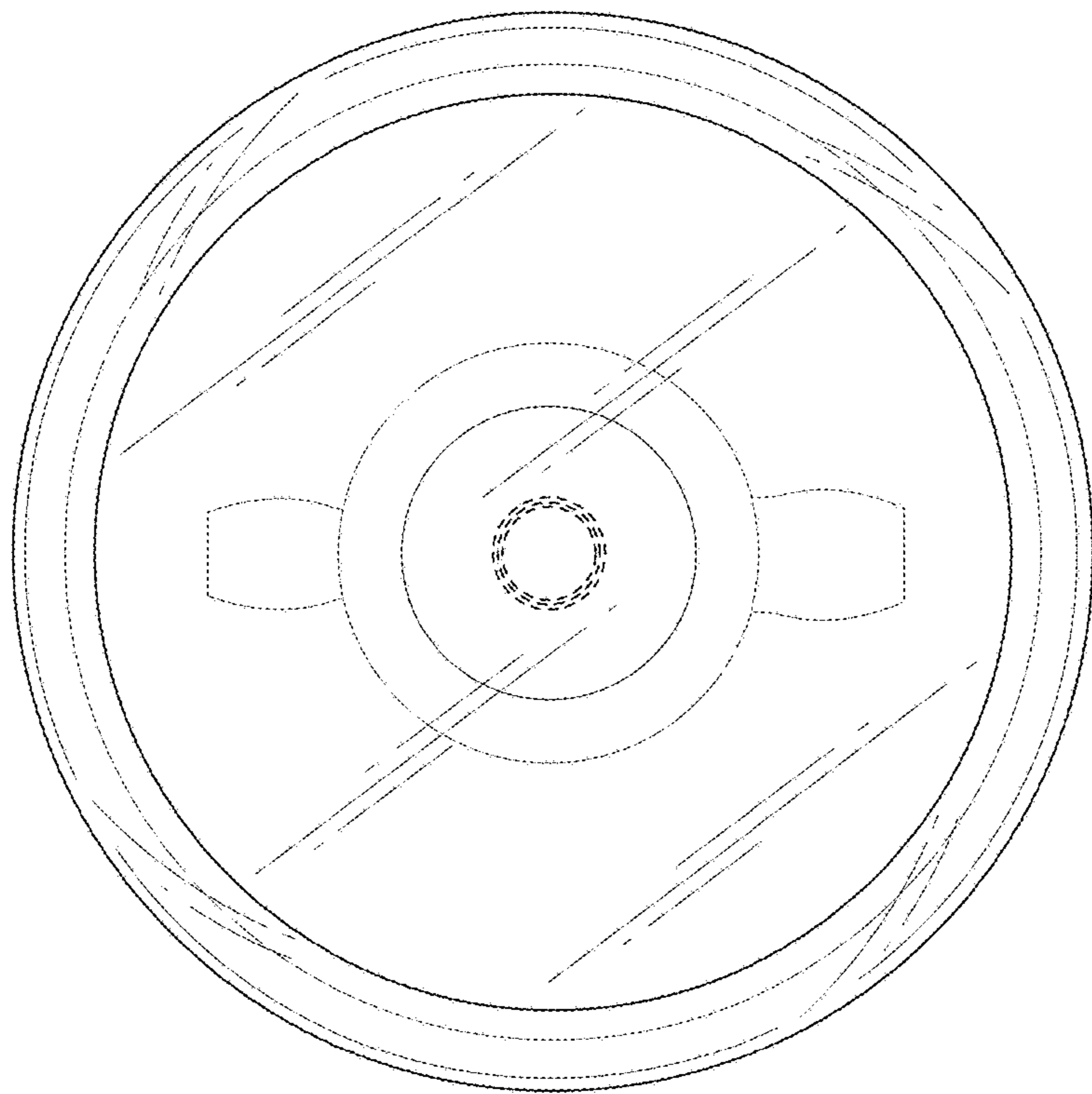


FIG. 7