



US00D844228S

(12) **United States Design Patent**
Berg

(10) **Patent No.:** **US D844,228 S**
(45) **Date of Patent:** **** Mar. 26, 2019**

- (54) **WATER DIFFUSION DEVICE**
- (71) Applicant: **Do More Dealie, LLC**, San Diego, CA (US)
- (72) Inventor: **Ryan Berg**, San Diego, CA (US)
- (73) Assignee: **Do More Dealie, LLC**, San Diego, CA (US)
- (**) Term: **15 Years**
- (21) Appl. No.: **29/605,433**
- (22) Filed: **May 25, 2017**
- (51) **LOC (11) Cl.** **27-02**
- (52) **U.S. Cl.**
USPC **D27/162**
- (58) **Field of Classification Search**
USPC D27/162, 163, 167, 168, 169, 170;
D7/510, 511, 529, 536, 608; D9/537,
D9/504; D10/60, 57; 131/173, 329-331
CPC A24F 1/30; A24F 1/14; A24F 1/12
See application file for complete search history.

- D765,473 S * 9/2016 Beckman D7/509
- D781,653 S * 3/2017 Matthis D7/300.2
- 9,848,639 B1 * 12/2017 Soares A24F 1/02
- 9,968,128 B2 * 5/2018 Alfawaz A24F 1/30

OTHER PUBLICATIONS

Garrett Blackburn, Stoned Mason, <http://glasslung.com/>, New York, NY, Accessed: Aug. 24, 2017.
 Phil McNilly, Vegabong, <http://vegabong.com/#vegabong-headshop>, Gatineau, Quebec, Canada, Accessed: Aug. 24, 2017.
 Thayer Dugan, Ball Jar Bubbler and Wide Mouth Water Pipe, <http://TheMasonJarSmokeShop.com>, Nantucket, MA, Accessed: Aug. 24, 2017.
 Russell Eck, Bong in a Jar, <https://www.bonginajar.com/>, Philadelphia, PA, Accessed: Aug. 24, 2017.
 Nicholas Paul Mailhot, Janktank Mason Jar, <http://janktek.com/>, Brentwood Bay, British Columbia, Accessed: Aug. 24, 2017.

* cited by examiner

Primary Examiner — Susan Bennett Hattan
Assistant Examiner — Rebecca Tsehaye
 (74) *Attorney, Agent, or Firm* — Newman Du Wors LLP

(57) **CLAIM**

What is claimed is the ornamental design for a water diffusion device, as shown and described.

DESCRIPTION

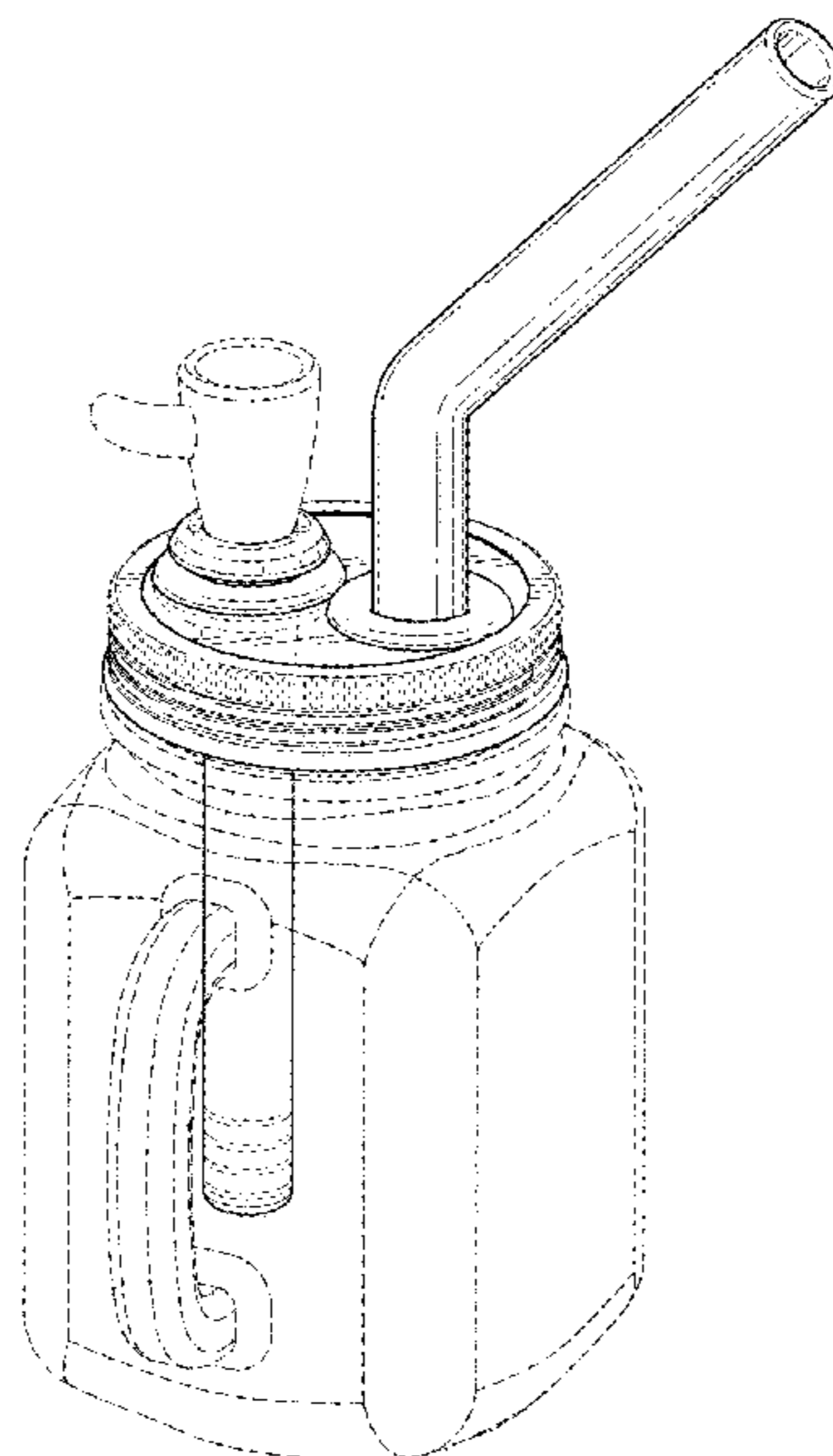
FIG. 1 is a perspective view of the water diffusion device showing the new ornamental design.
 FIG. 2 is a front elevational view thereof.
 FIG. 3 is a rear elevational view thereof.
 FIG. 4 is a right side elevational view thereof.
 FIG. 5 is a left side elevational view thereof.
 FIG. 6 is a top plan view thereof.
 FIG. 7 is a bottom plan view thereof; and,
 FIG. 8 is an exploded perspective view thereof.

1 Claim, 7 Drawing Sheets

(56) **References Cited**

U.S. PATENT DOCUMENTS

- D247,255 S * 2/1978 Frost D27/162
- D351,253 S * 10/1994 Baig D27/162
- D355,728 S * 2/1995 Newman D27/162
- D371,632 S * 7/1996 Truelove D27/162
- 5,738,116 A * 4/1998 Truelove A24F 1/30
131/173
- RE36,105 E * 2/1999 Newman D27/162
- D464,169 S * 10/2002 McAuley D27/162
- D673,468 S * 1/2013 Cooney D10/60
- D728,854 S * 5/2015 Siniakov D27/162
- D755,439 S * 5/2016 Helou D27/162



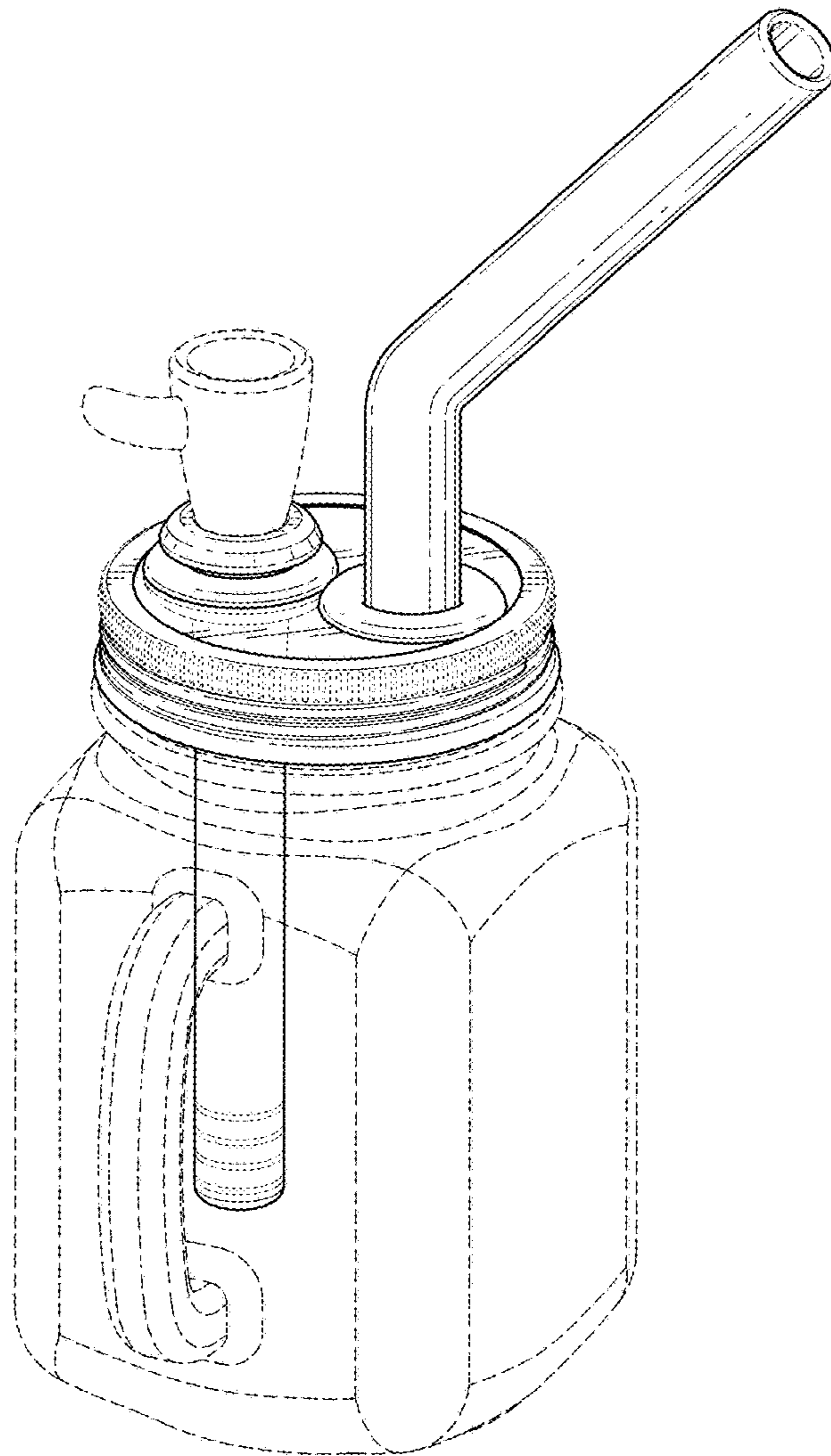


FIG. 1

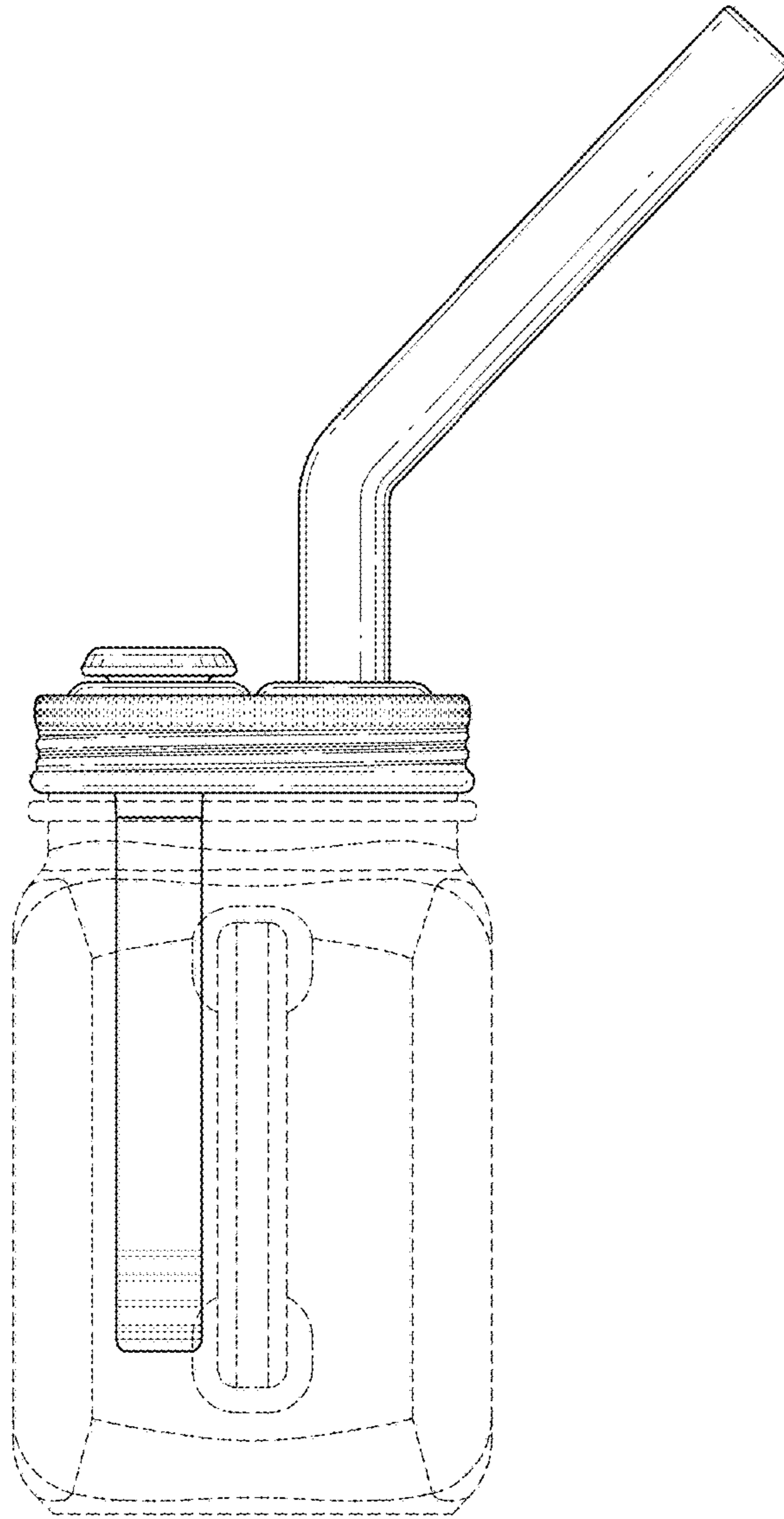


FIG. 2

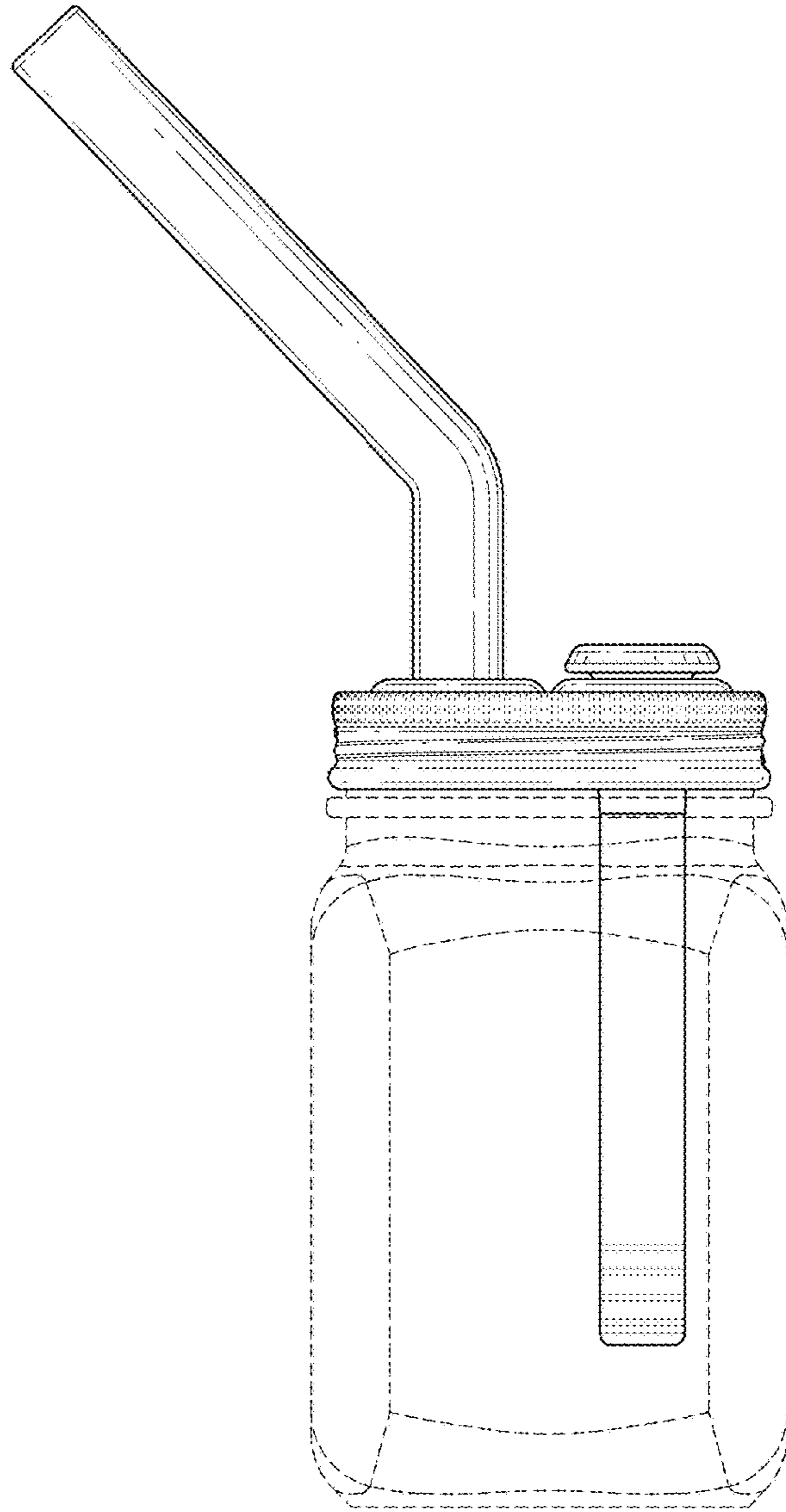


FIG. 3

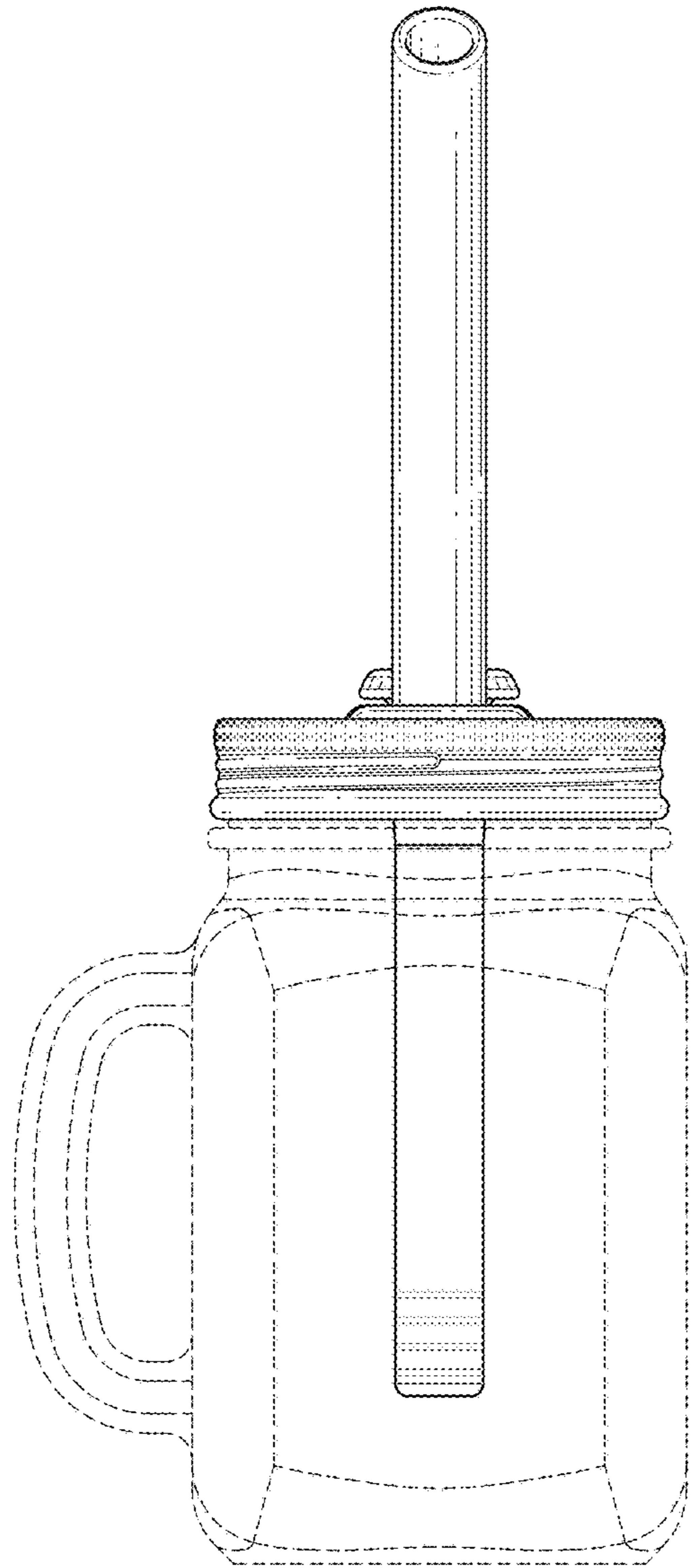


FIG. 4

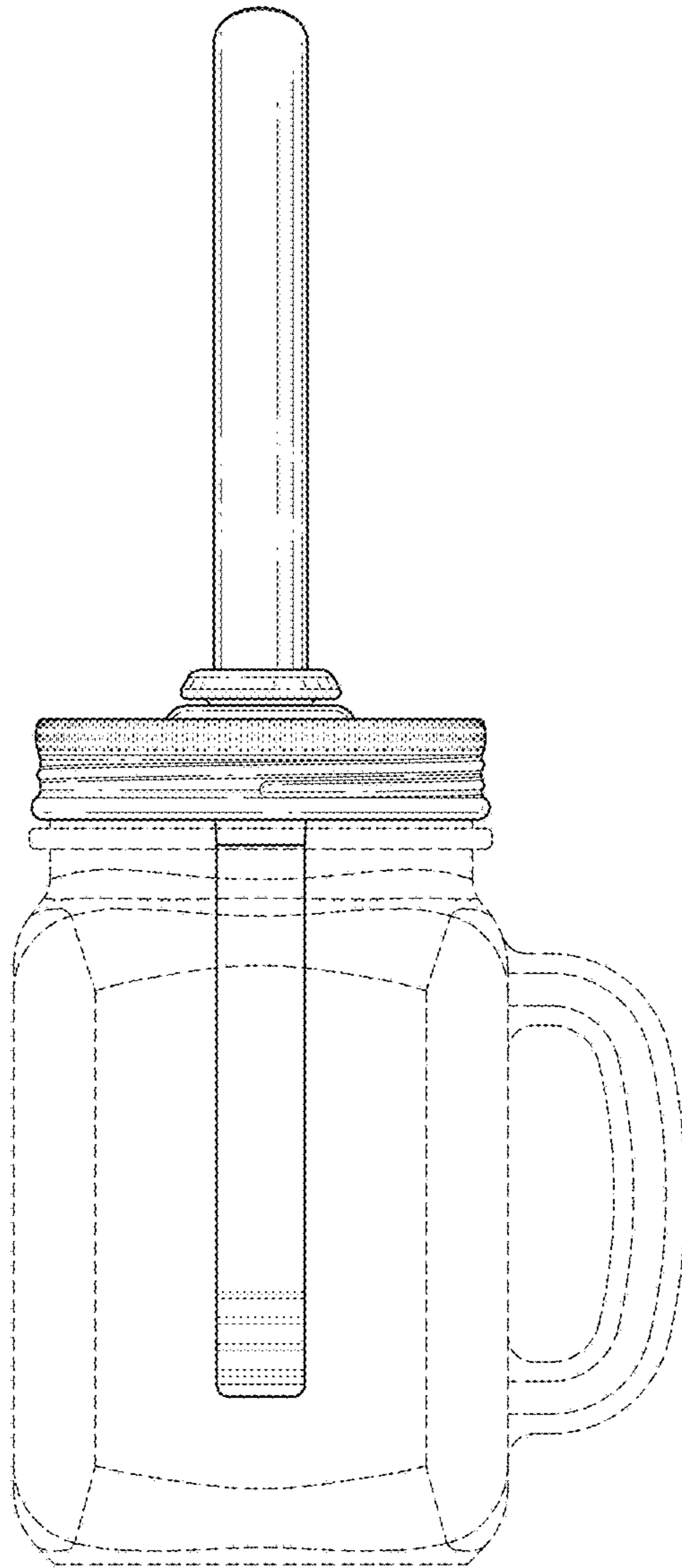


FIG. 5

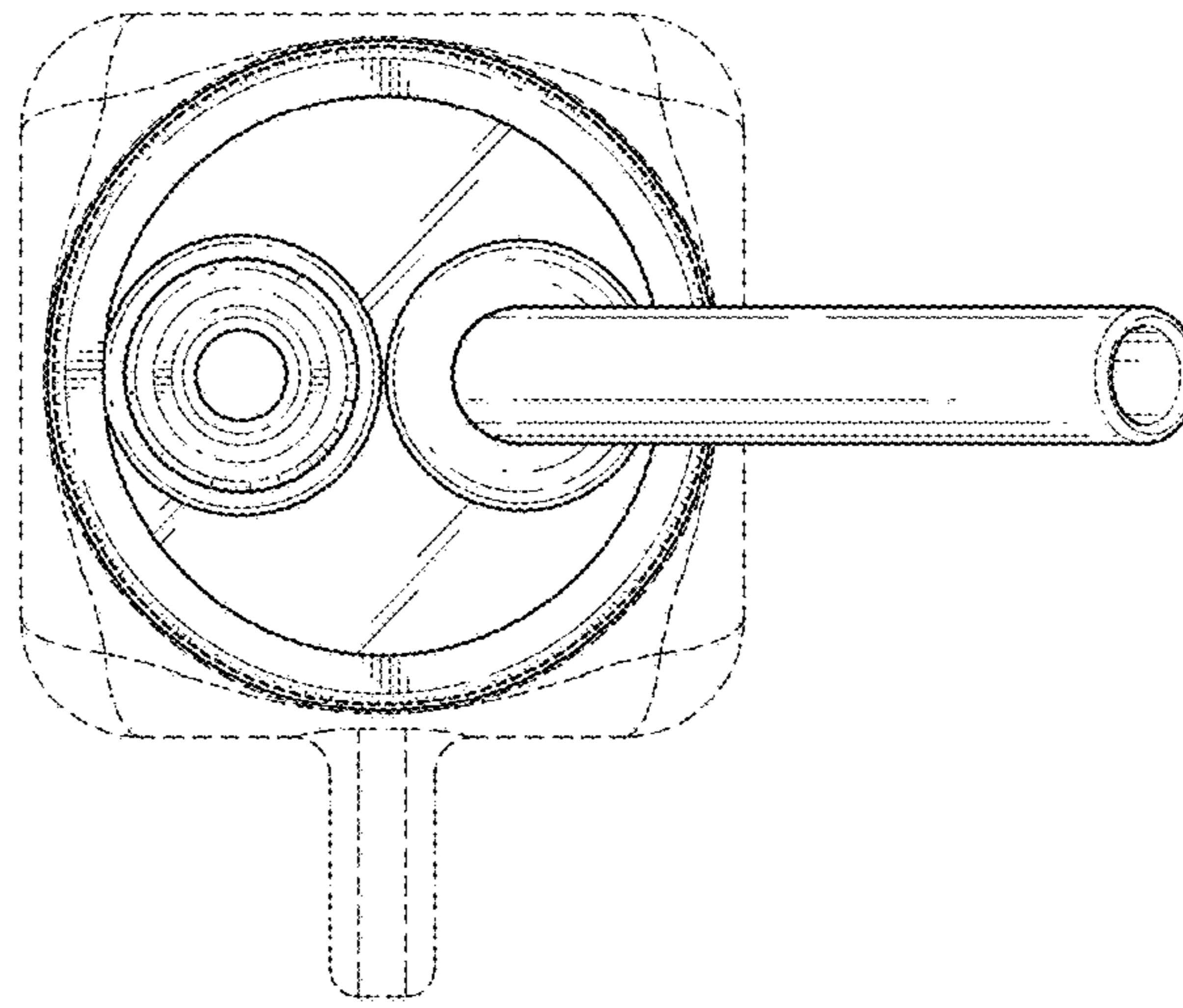


FIG. 6

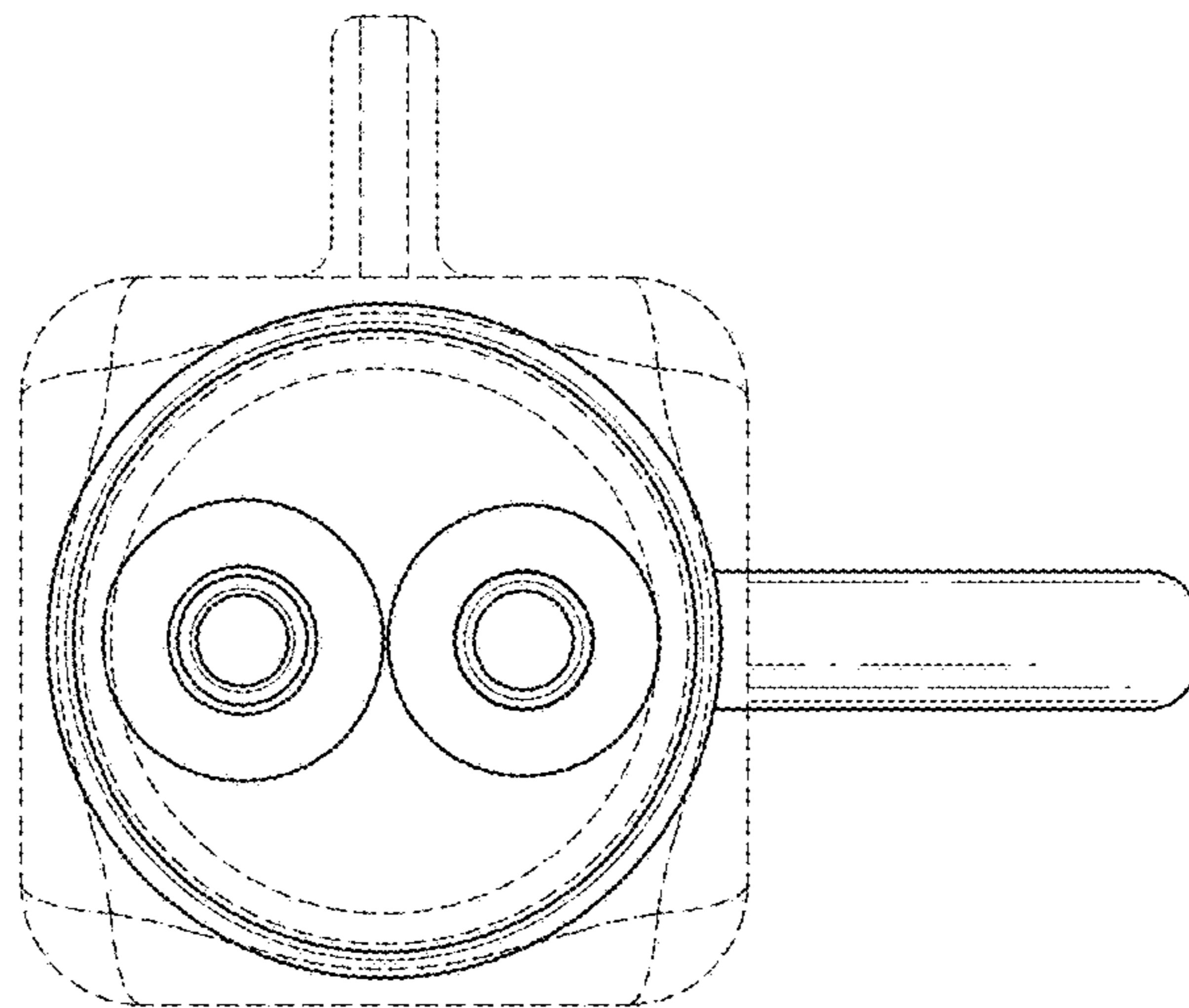


FIG. 7

