



US00D844227S

(12) **United States Design Patent** (10) **Patent No.:** **US D844,227 S**
Hoch et al. (45) **Date of Patent:** **** *Mar. 26, 2019**

(54) **SMOKING APPARATUS**

- (71) Applicant: **Eyce LLC**, Bend, OR (US)
- (72) Inventors: **Charles V. Hoch**, Bend, OR (US);
Bruce A. Hoch, Bend, OR (US)
- (73) Assignee: **Eyce LLC**, Bend, OR (US)
- (*) Notice: This patent is subject to a terminal disclaimer.
- (**) Term: **15 Years**
- (21) Appl. No.: **29/605,414**
- (22) Filed: **May 25, 2017**

Related U.S. Application Data

- (63) Continuation of application No. 29/576,507, filed on Sep. 2, 2016.
- (51) **LOC (11) Cl.** **27-01**
- (52) **U.S. Cl.**
USPC **D27/162**
- (58) **Field of Classification Search**
USPC D27/100–196

(Continued)

(56) **References Cited**

U.S. PATENT DOCUMENTS

- D2,505 S 3/1866 Harry
- 214,586 A 4/1879 Riedel

(Continued)

FOREIGN PATENT DOCUMENTS

- CN 302343695 3/2013
- CN 302933191 S 9/2014

(Continued)

OTHER PUBLICATIONS

Eyce Silicone Rig with Nail and Tool by Utopia. dated 2018. found online [Sep. 23, 2018] <http://zoneutopia.com/bongs-bubblers-and-waterpipes/eyce-silicone-rig-with-nail-and-tool/>.*

(Continued)

Primary Examiner — Marissa J Cash

(74) *Attorney, Agent, or Firm* — Dorsey & Whitney LLP

(57) **CLAIM**

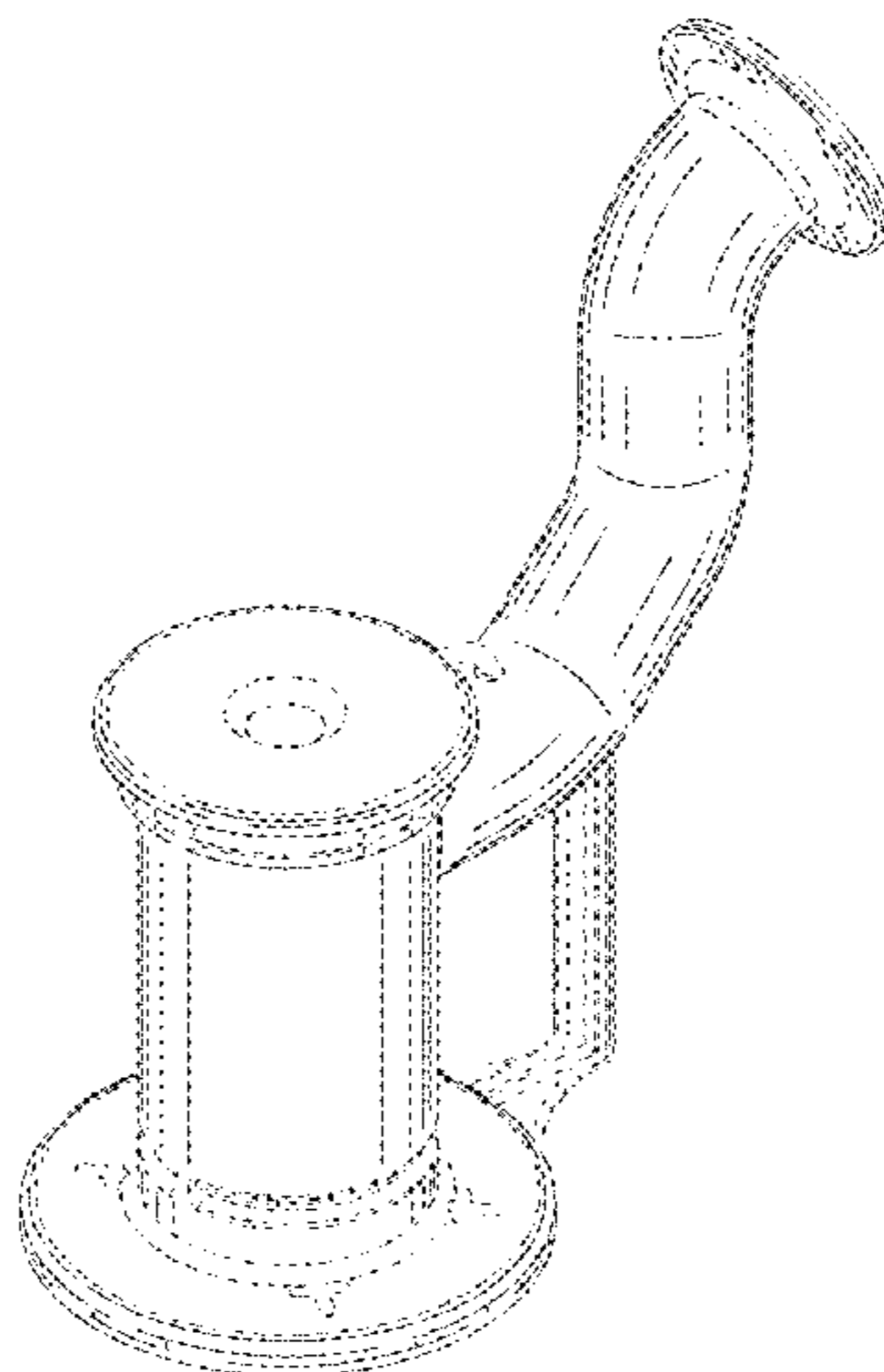
We claim the ornamental design for a smoking apparatus, substantially as shown and described.

DESCRIPTION

FIG. 1 is a perspective view of a smoking apparatus in accordance with an embodiment of the present invention; FIG. 2 is a perspective view of the smoking apparatus of FIG. 1 in a detached position; FIG. 3 is a left view of FIG. 1; FIG. 4 is a right view of FIG. 1; FIG. 5 is a back view of FIG. 1; FIG. 6 is a front view of FIG. 1; FIG. 7 is a bottom view of FIG. 1; FIG. 8 is a top view of FIG. 1; FIG. 9 is a perspective view of a smoking apparatus in accordance with another embodiment of the present invention; FIG. 10 is a perspective view of the smoking apparatus of FIG. 9 in a detached position; FIG. 11 is a left view of FIG. 9; FIG. 12 is a right view of FIG. 9; FIG. 13 is a back view of FIG. 9; FIG. 14 is a front view of FIG. 9; FIG. 15 is a bottom view of FIG. 9; and, FIG. 16 is a top view of FIG. 9.

In the drawings, the claimed design is defined by the shaded surfaces; broken lines immediately adjacent shaded surfaces represent boundaries of the claim and form no part thereof; all other broken lines depict portions of the smoking apparatus that form no part of the claim.

1 Claim, 12 Drawing Sheets



(58) **Field of Classification Search**
 CPC A24F 1/00; A24F 1/02; A24F 1/04; A24F
 1/06; A24F 1/08; A24F 1/10; A24F 1/14;
 A24F 1/16; A24F 1/22; A24F 1/24; A24F
 1/28; A24F 1/30; A24F 1/32; A24F
 15/00; A24F 9/16
 See application file for complete search history.

(56) **References Cited**
 U.S. PATENT DOCUMENTS

895,626 A 8/1908 Geltz
 945,973 A 1/1910 Miles
 D54,831 S 4/1920 Campbell
 1,617,113 A 2/1927 Hirschl
 1,881,793 A 10/1932 Mariani
 1,987,407 A 1/1935 McAllaster
 2,040,704 A 5/1936 Modine
 D120,674 S 5/1940 Miller
 D122,042 S 8/1940 Bressler
 D126,132 S 3/1941 Harris
 D127,324 S 5/1941 Leser
 D131,197 S 1/1942 Leser
 D132,045 S 4/1942 Borger
 D132,046 S 4/1942 Borger
 D132,561 S 5/1942 Clements
 2,285,057 A 6/1942 Russell
 2,325,412 A 7/1943 Martin
 2,335,087 A 11/1943 Schmier
 2,385,312 A 9/1945 Swift
 D142,572 S 10/1945 Leipper
 D142,760 S 10/1945 Wyse
 2,387,381 A 10/1945 Zuckerman
 D142,922 S 11/1945 Rosenberg
 D143,423 S 1/1946 Goulston
 D143,593 S 1/1946 Hollenbeck
 D144,346 S 4/1946 Ash
 D146,209 S 1/1947 Baxter
 D147,035 S 7/1947 Christensen
 D150,219 S 7/1948 Furedy
 D152,369 S 1/1949 Sampson
 D154,917 S 8/1949 Galashek
 2,529,278 A 11/1950 Bowers
 1,967,438 A 7/1951 Louis
 2,628,622 A 2/1953 Smith
 2,637,327 A 5/1953 Nadelson
 D171,694 S 3/1954 Gevirman
 D176,221 S 11/1955 Lieber
 D177,036 S 3/1956 Gevirman
 D177,226 S 3/1956 Gevirman
 D177,321 S 4/1956 Gevirman
 D177,952 S 6/1956 Wang
 D178,959 S 10/1956 Hodgkins
 D179,116 S 11/1956 Bugg
 D179,117 S 11/1956 Bugg
 D179,179 S 11/1956 Atkins
 D179,373 S 12/1956 Berenson
 2,827,059 A 3/1958 Czap
 2,864,382 A 12/1958 Hercules
 3,091,246 A 5/1963 Mahieux
 D199,552 S 11/1964 Berenson
 3,209,764 A * 10/1965 Shih A24F 1/30
 131/173
 D203,914 S 2/1966 Fassbender
 D204,922 S 5/1966 Jeannin
 3,308,834 A 3/1967 Furedy
 D207,376 S 4/1967 Chernock
 D212,179 S 9/1968 Chernock
 D217,520 S 5/1970 Gordon
 3,669,127 A 6/1972 Owens
 3,792,705 A 2/1974 Frederick
 D231,640 S * 5/1974 Kahler D27/162
 D233,863 S 12/1974 Keidl
 3,881,499 A 5/1975 Mcfadden
 3,882,875 A 5/1975 Frost
 D240,542 S 7/1976 Murray, Jr.
 D244,473 S * 5/1977 Karl D27/162

4,031,905 A 6/1977 Dunn
 D246,391 S 11/1977 Lefkow
 D246,602 S * 12/1977 Frost D27/170
 D246,603 S * 12/1977 Frost D27/163
 D246,604 S 12/1977 Frost
 D247,255 S 2/1978 Frost
 D247,408 S * 3/1978 Ventura D27/163
 D248,572 S * 7/1978 Graham D27/162
 D248,671 S * 7/1978 Graham D27/162
 D248,672 S * 7/1978 Graham D27/162
 D249,070 S * 8/1978 Evans D27/162
 D249,281 S * 9/1978 Graham D27/162
 D249,282 S * 9/1978 Nielsen D27/162
 4,111,213 A 9/1978 Shanto
 D249,896 S 10/1978 Graham
 4,146,042 A 3/1979 Maiorana
 4,164,949 A 8/1979 Diven
 4,171,703 A 10/1979 Locke
 D253,848 S * 1/1980 Karp D27/162
 D254,510 S 3/1980 Shaak
 4,223,686 A 9/1980 Murray, Jr.
 D258,012 S 1/1981 Murphy
 D258,013 S * 1/1981 Murphy D27/162
 4,253,475 A 3/1981 Schreiber
 D261,439 S 10/1981 Sher
 D261,689 S 11/1981 Weglein
 D261,690 S 11/1981 Murray, Jr.
 D262,144 S 12/1981 Sher
 D264,885 S 6/1982 Irelan
 D265,595 S * 7/1982 Galanter D27/162
 D265,766 S 8/1982 Sher
 D273,713 S 5/1984 Sher
 D273,714 S 5/1984 Sher
 D273,715 S 5/1984 Sher
 D276,377 S 11/1984 Martin
 4,788,988 A 12/1988 Titus
 D304,625 S 11/1989 Katayama
 D304,771 S 11/1989 Katayama
 D305,804 S 1/1990 Browning
 D342,805 S * 12/1993 Heine D27/162
 D346,673 S * 5/1994 Newman D27/162
 D349,065 S 7/1994 West
 D349,780 S * 8/1994 Heine D27/162
 D350,411 S * 9/1994 Heine D27/162
 D354,583 S * 1/1995 Newman D27/162
 D354,584 S * 1/1995 Newman D27/162
 D355,274 S * 2/1995 Newman D27/162
 D355,728 S * 2/1995 Newman D27/162
 D358,227 S 5/1995 Heine
 D358,228 S * 5/1995 Heine D27/162
 5,476,110 A * 12/1995 Baig A24F 1/30
 131/173
 D368,324 S * 3/1996 Heine D27/162
 D368,325 S 3/1996 Heine
 D368,551 S * 4/1996 Richards D27/162
 D371,632 S 7/1996 Truelove
 D372,335 S * 7/1996 Clark D11/131.1
 D376,033 S * 11/1996 Heine D27/162
 D387,476 S * 12/1997 Chambers D27/162
 RE36,193 E * 4/1999 Newman A24F 1/30
 D27/162
 5,908,031 A * 6/1999 Clark A24F 1/30
 131/173
 RE36,254 E 7/1999 Newman
 5,967,147 A * 10/1999 Newman A24F 1/30
 131/173
 5,993,748 A 11/1999 Wheeler
 RE36,523 E 1/2000 Newman
 6,067,993 A 5/2000 Mahoney, III
 D436,686 S 1/2001 Fujisawa
 D442,327 S 5/2001 Neason
 D442,329 S 5/2001 Najar
 D443,950 S 6/2001 Neason
 6,418,936 B1 7/2002 Lee
 6,745,777 B2 6/2004 Liu
 D539,978 S 4/2007 Kassir
 D542,968 S 5/2007 Guan
 D543,312 S 5/2007 Guan
 D547,489 S 7/2007 Kassir

(56)

References Cited

U.S. PATENT DOCUMENTS

D548,398 S 8/2007 Chaoui
 D552,790 S 10/2007 Catron
 D554,797 S 11/2007 Kassier
 D558,370 S 12/2007 Mohammed
 D558,919 S 1/2008 Kassir
 D566,328 S 4/2008 Catron
 D582,094 S 12/2008 Lee
 D584,853 S 1/2009 Kassir
 D636,849 S 4/2011 Yoo
 D638,984 S * 5/2011 Gould D27/163
 D649,700 S * 11/2011 Mehio D27/162
 D649,702 S * 11/2011 Mehio D27/162
 D650,520 S 12/2011 Timmermans
 D658,807 S 5/2012 Aboushi
 D684,313 S 6/2013 Wu
 8,490,629 B1 7/2013 Shenassa
 D690,412 S * 9/2013 Spink D24/110
 D701,599 S * 3/2014 Bengochea D24/110
 D722,720 S * 2/2015 Garbo D27/162
 8,973,585 B2 3/2015 Goldstein
 D726,364 S 4/2015 Weigensberg
 D726,365 S 4/2015 Weigensberg
 D728,854 S * 5/2015 Siniakov D27/162
 D736,644 S 8/2015 Hamilton
 D740,681 S 10/2015 Hamilton
 D742,587 S 11/2015 Masri
 D743,098 S 11/2015 Hehir
 D745,739 S * 12/2015 Abadi D27/162
 D749,262 S 2/2016 Schoenfeld
 D754,392 S 4/2016 Helou
 D754,914 S 4/2016 Helou
 D754,915 S 4/2016 Helou
 D754,918 S 4/2016 Jergenson
 D755,439 S 5/2016 Helou
 D757,355 S 5/2016 Al Arja
 D757,357 S 5/2016 Helfrich
 D758,648 S 6/2016 Wu
 D759,305 S 6/2016 Gamble
 D768,917 S 10/2016 Salem
 D785,236 S 4/2017 Elhalwani
 D790,767 S * 6/2017 Rush D27/168
 9,848,637 B2 12/2017 Haddad
 D806,945 S * 1/2018 Lepper D27/163
 9,955,722 B2 5/2018 Reyes
 D820,513 S * 6/2018 Camitta D27/162
 2006/0086364 A1 4/2006 Liu
 2006/0207621 A1 9/2006 Shraiber
 2007/0034219 A1 * 2/2007 Affinito A24F 1/30
 131/329
 2009/0258117 A1 10/2009 Lee
 2011/0005533 A1 * 1/2011 Evans B29C 33/00
 131/191
 2011/0167836 A1 7/2011 Zorovich
 2012/0200079 A1 8/2012 Williams
 2013/0032159 A1 2/2013 Capuano
 2013/0104738 A1 5/2013 Goldstein
 2014/0130812 A1 * 5/2014 Kling A24F 47/008
 131/173
 2014/0326256 A1 11/2014 McKay
 2015/0068540 A1 3/2015 Hoch
 2015/0181931 A1 6/2015 Hoover
 2015/0257443 A1 9/2015 Rado
 2015/0342250 A1 12/2015 Hoch
 2016/0295911 A1 * 10/2016 Kalousek A24F 1/30
 2017/0055579 A1 * 3/2017 Kuna A24F 47/008
 2017/0056607 A1 * 3/2017 Jones A61M 11/003
 2017/0099872 A1 * 4/2017 Reimann A24F 1/30
 2017/0099874 A1 4/2017 Reimann
 2017/0105447 A1 4/2017 Gay
 2017/0143035 A1 * 5/2017 Pucci A24F 1/30
 2017/0361040 A1 12/2017 Trzemieski
 2018/0027872 A1 2/2018 Galaviz, Jr.
 2018/0199626 A1 * 7/2018 Cheng A24F 9/16

FOREIGN PATENT DOCUMENTS

CN 302996416 11/2014
 CN 303120981 3/2015
 CN 303417590 10/2015
 CN 303574257 1/2016
 CN 303781526 S 8/2016
 CN 303939468 S 11/2016
 CN 304133137 S 5/2017
 CN 304355617 11/2017
 CN 304355618 11/2017
 EM 000855317-0002 9/2008
 JP D1478668 8/2013
 JP D1537305 10/2015

OTHER PUBLICATIONS

<https://www.hippiebutler.com/product/glass-spoon-pipe/>; Dec. 19, 2017; <https://www.hippiebutler.com/product/glass-spoon-pipe/>; 2 pages.
 Pip; Dec. 19, 2017; <https://www.kings-pipe.com/yellow-techno-glass-spoon-pipe-p/pipe-134.htm>; 3 pages.
 Glass-spoon-pipe-green-glass-wi; Dec. 19, 2017; https://www.grasscity.com/us_en/glass-spoon-pipe-green-glass-with-switchbacks-on-bowl.html; 6 pages.
 G-spot-glass-spoon-pipe-red-fr; Dec. 19, 2017; https://www.grasscity.com/int_en/g-spot-glass-spoon-pipe-red-frit-with-blue-stripe.html; 6 pages.
 Red-eye-spoon-pi; Dec. 19, 2017; https://azarius.net/headshop/pipes/glass_pipes/red-eye-spoon-pipe/; 7 pages.
 Glasscity-clear-glass-spoon-pip; Dec. 19, 2017; https://www.grasscity.com/us_en/glasscity-clear-glass-spoon-pipe-with-cane-swirl-3-inch.html; 6 pages.
 Pipe-206; Dec. 19, 2017; <https://www.kings-pipe.com/grav-jane-west-spoon-p/pipe-206.htm>; 6 pages.
 Pipe-206; Dec. 19, 2017; https://www.grasscity.com/us_en/glassheads-inside-out-spoon-pipe-usa.html; 6 pages.
 Pipe-; Dec. 19, 2017; <https://www.kings-pipe.com/amg-blue-lv-spoon-glass-pipe-p/pipe-127.htm>; 4 pages.
<https://skyhighsmokeshop.com/product/vengeance-spoon-pipe/>; Dec. 19, 2017; <https://skyhighsmokeshop.com/product/vengeance-spoon-pipe/>; 2 pages.
 Best-spoon-pipes-reviewed; Dec. 19, 2017; <https://collegeofcannabis.com/reviews/best-spoon-pipes-reviewed/>; 4 pages.
 Glassheads-rainbow-ripper-spoon; Dec. 19, 2017; http://www.grasscity.com/us_en/glassheads-rainbow-ripper-spoon-pipe-with-marble-head.html; 6 pages.
<https://www.glassnation.com/product/eyce-silicone-pipe/>; Dec. 19, 2017; <https://www.glassnation.com/product/eyce-silicone-pipe/>; 4 pages.
 Glass-spoon-pipe-sandbla; Dec. 19, 2017; <https://www.etsy.com/listing/165903284/glass-spoon-pipe-sandblasted-spoon>; 3 pages.
 2015-new-spoon-pipe-glass-handly-; Dec. 19, 2017; <https://www.dhgate.com/product/2015-new-spoon-pipe-glass-handly-pipe-glass/240336898.html>; 3 pages.
<http://vapesterdam.com/blog/glass-spoon-pipes-basics/>; Dec. 19, 2017; <http://vapesterdam.com/blog/glass-spoon-pipes-basics/>; 4 pages.
 Pipe-1; Dec. 19, 2017; <https://www.kings-pipe.com/red-techno-glass-spoon-pipe-p/pipe-133.htm>; 3 pages.
 Pipe-124; Dec. 19, 2017; <https://www.kings-pipe.com/purr-green-spoon-pipe-p/pipe-124.htm>; 4 pages.
<https://nmmmj.com/5002/bongs/glass-spoon-pipe/>; Dec. 19, 2017; <https://nmmmj.com/5002/bongs/glass-spoon-pipe/>; 2 pages.
 Glass-spoons-pipes; Dec. 19, 2017; <https://www.everyonedoesit.com/collections/glass-spoons-pipes>; 19 pages.
 Spoon-pipe; Dec. 19, 2017; <http://www.bluemaiize.net/appliances/spoon-pipe/>; 2 pages.
<https://www.pinterest.com/explore/spoon-pipe/>; Dec. 19, 2017; <https://www.pinterest.com/explore/spoon-pipe/>; 5 pages.
 Unique-glass-pipes-grav-labs-; Dec. 19, 2017; <https://www.421store.com/products/unique-glass-pipes-grav-labs-pipe/>; 3 pages.
 Color-explosion-big-spo; Dec. 19, 2017; <https://www.water-bongs-glass-pipes.com/color-explosion-big-spoon-pipe/d-37046/>; 6 pages.
 Spoon_pipes; Dec. 19, 2017; https://www.etsy.com/market/spoon_pipes; 32 pages.

(56)

References Cited

OTHER PUBLICATIONS

- <http://www.formax420.com/shop/formax420-glass-spoon-pipe-2/>; Dec. 19, 2017; 4 pages.
- Latticello-bulb-glass-spoon-pipe; Dec. 19, 2017; <https://www.smokingoutlet.net/latticello-bulb-glass-spoon-pipe/>; 6 pages.
- Colorful-glass-spoon-pipe-hookah; Dec. 19, 2017; <https://www.dhgate.com/product/colorful-glass-spoon-pipe-hookahs-long-glass/385608315.htm>; 4 pages.
- Glass_spoon_pipe; Dec. 19, 2017; https://www.etsy.com/market/glass_spoon_pipe; 69 pages.
- Glass-Spoon-Pipe-Green-Honeycomb; Dec. 19, 2017; <http://www.cheappipesbongs.com/Glass-Spoon-Pipe-Green-Honeycomb-with-Handle-p346035.html>; 7 pages.
- Big-spoon-pipe-octopus-starfish; Dec. 19, 2017; <https://www.bongin.com/big-spoon-pipe-octopus-starfish>; 3 pages.
- <https://www.smoknfly.com/product/meteor-holes-glass-spoon-pipe/>; Dec. 19, 2017; 3 pages.
- Spoon-pipe-vs-sherlock-pipe-supe; author staff writer; Dec. 19, 2017; <http://magazine.grasscity.com/spoon-pipe-vs-sherlock-pipe-superior-smoking-device-3734/>; 9 pages.
- 12; Dec. 19, 2017; <https://www.funkypiece.com/Grav-Labs-Aqua-Green-Spoon-Pipe-p/1208.htm>; 8 pages.
- Glass-spoon-pipes; Dec. 19, 2017; <https://www.badassglass.com/glass-spoon-pipes.html>; 16 pages.
- Liberty-503-glass-gear-sandbl; Dec. 19, 2017; <https://www.wickiepipes.com/pipes/liberty-503-glass-gear-sandblsted-fumed-spoon-pipe/>; 4 pages.
- Pipe-140; Dec. 19, 2017; <https://www.kings-pipe.com/mav-pink-glass-spoon-pipe-p/pipe-140.htm>; 4 pages.
- Glass-spoon-pipe-roll-stopper-carb; Dec. 19, 2017; <https://shadedco.com/product/glass-spoon-pipe-roll-stopper-carb-hole/>; 4 pages.
- New-smoking-glass-pipes-new-desi; Dec. 19, 2017; <https://www.dhgate.com/product/new-smoking-glass-pipes-new-design-picture/256081886.html>; 4 pages.
- Eyce-silicone-spoon-pipe_variant=35; Dec. 19, 2017; <https://smokea.com/products/eyce-silicone-spoon-pipe?variant.=35536508865>; 8 pages.
- <http://sunflowerpipes.com/product/saturn-raver-glass-pipe/>; Dec. 19, 2017; 4 pages.
- Grav-Labs-Clear-Blue-Glass-Spoon-Pip; Dec. 19, 2017; <https://www.funkypiece.com/Grav-Labs-Clear-Blue-Glass-Spoon-Pipe-p/1217.htm>; 8 pages.
- Glass_Pipes-Swirl_Spoon_Pipes; Dec. 19, 2017; http://www.gogowholesale.com/Glass_Pipes-Swirl_Spoon_Pipes.html; 2 pages.
- Heady-spoon-pipe-flower-hand-pip; Dec. 19, 2017; <https://www.dhgate.com/product/heady-spoon-pipe-flower-hand-pipes-for-smoking/397847829.html>; 4 pages.
- <http://www.smoknfly.com/product/5-5-green-hand-pipe/>; Dec. 19, 2017; 4 pages.
- Color-changing-spoon-pipe-paris; Dec. 19, 2017; <https://www.smoketower.ca/store/color-changing-spoon-pipe-paris-hilton>; 10 pages.
- Pipe-125; Dec. 19, 2017; <https://www.kings-pipe.com/purr-blue-spoon-pipe-p/pipe-125.htm>; 4 pages.
- <http://smokesy.com/reviews/best-spoon-pipe-of-2016/>; Dec. 19, 2017; 20 pages.
- 2016-new-arrival-smoking-pipe-gl; Dec. 19, 2017; <https://www.dhgate.com/product/2016-new-arrival-smoking-pipe-glass-spoon/373506482.html>; 3 pages.
- Purr 4 Inch Spoon Pipe Product Review; Dec. 19, 2017; <https://www.youtube.com/watch?v=4tZjTwBP4XU>; 2 pages.
- Cheech-water-pipes-glass-honey-c; Dec. 19, 2017; <https://www.dhgate.com/product/cheech-water-pipes-glass-honey-cup-mini-glass/216667731.html>; 4 pages.
- <http://nyvapeshop.com/glass-pipes/>; Dec. 19, 2017; 22 pages.
- 127; Dec. 19, 2017; https://www.artfire.com/ext/shop/product_view/LeoGlassworks/12723637/bb8_marble_blue_spoon_pipe; 3 pages.
- Multi-colored-5-glass-pipe-spo; Dec. 19, 2017; <https://bizarrosmoke.com/product/multi-colored-5-glass-pipe-spoon-shape-insense-holder-manufactured-by-crystal-rose-handmade-glass-art-pipe-inside-double-blown-one-of-a-kind-design/>; 5 pages.
- <http://ehoy.us/smoking-spoon-pipes/>; Dec. 19, 2017; 8 pages.
- Classic-green-spoon-marijuana-p; Dec. 19, 2017; <https://archive.theweedblog.com/classic-green-spoon-marijuana-pipe/>; 3 pages.
- Spoon-pipes; Dec. 19, 2017; <https://www.wickiepipes.com/pipes/glass-pipes/spoon-pipes>; 9 pages.
- 5-black-white-dichro-he; Dec. 19, 2017; <https://www.pipesbyga.com/product-page/5-black-white-dichro-heavy-glass-spoon-pipe>; 1 page.
- <http://spoon.edot.us/smoking-spoon/>; Dec. 19, 2017; 8 pages.
- Mav-five-hole-spoon-pip; Dec. 19, 2017; <https://store.nvsglassworks.com/product/mav-five-hole-spoon-pipe-cobalt/>; 7 pages.
- Eyce-silicone-spoon-pipe-a; Dec. 19, 2017; <http://afgdistribution.com/index.php/eyce-silicone-spoon-pipe-assorted-10pc-display.html>; 1 page.
- doUQjzpBnYRO; Dec. 19, 2017; <http://szbontek.en.made-in-china.com/product-group/doUQjzpBnYRO/Glass-Hand-pipes-Bubblers-catalog-1.html>; 5 pages.
- Dichro_spoon_color_changing_glass_pipe; Dec. 19, 2017; http://www.gogopipes.com/dichro_spoon_color_changing_glass_pipes.html; 6 pages.
- Glass-pipes; Dec. 19, 2017; <https://angiesboutiques.com/pipes/glass-pipes.html>; 17 pages.
- China-; Dec. 19, 2017; <http://hfglass.en.made-in-china.com/product/Gv1JNacCSZfkf/China-Thick-Heady-Tobacco-Wholesale-Smoking-Glass-Pipe-Hookah-Hand-Blown-Spoon-Pipe.html>; 4 pages.
- Spoon-pipe (2); Dec. 19, 2017; <http://www.sandlpointe.com/appliances/spoon-pipe/>; 2 pages.
- Grav-Labs-Two-Feet-Spoon-Pipes-f; Dec. 19, 2017; <http://www.cheappipesbongs.com/Grav-Labs-Two-Feet-Spoon-Pipes-for-Tobacco-p346728.html>; 10 pages.
- Up%20&%20Down%20Sho; Dec. 19, 2017; <http://production.elpasotimes.net/TestLinks/Up%20&%20Down%20Shop/smoking-pipes.html>; 2 pages.
- <http://www.aevape.com/product/4-5-borosilicate-hand-pipe/>; Dec. 19, 2017; 9 pages.
- USA Assorted Grav Labs Frit Hand Pipe 4; Dec. 19, 2017; <http://www.marijuanapackaging.com/assorted-grav-labs-frit-hand-pipe-4.html>; 2 pages.
- Glass-spoon-pipe-heavy-gold-f; Dec. 19, 2017; <https://mamarijuana.com/926/bongs/glass-spoon-pipe-heavy-gold-fume-small-heart-review/>; 2 pages.
- <http://stuffforstoners.com/icy-penguins-glass-spoon-pipe/>; Dec. 19, 2017; 11 pages.
- Black-pokemon-go-mystic-4inch-spoon-pipe-on; Dec. 19, 2017; <http://chicpipe.com/black-pokemon-go-mystic-4inch-spoon-pipe-online-for-sale-p529711.html>; 3 pages.
- Purr Glass Honeycomb Sidecar Dab Rig / Kings's Pipe Online Headshop; Dec. 7, 2017 <https://www.kings-pipe.com/purr-honeycomb-sidecar-dab-rig-p/wp-325.htm>; 5 pages.
- Dankstop—Honeycomb to Turbine Perc Sidecar Water Pipe/ Dr. Piece; Dec. 7, 2017 <http://piecedr.com/shop/dab-rigs-and-oil-rigs/dankstop-honeycomb-to-turbine-perc-sidecar-water-pipe/>; 2 pages.
- Pink Turbine + Sidecar + Stemless + Black Rim water pipe rig / 420 Glass City; Dec. 7, 2017 http://www.420glasscity.com/PINK-TURBINE-SIDECAR-STEMLESS-BLACK-RIM-water-pipe-rig_p_224.html; 3 pages.
- 2018 Hot Sell Sidecar Glass Bong Water Pipe Smoking Pipe Water Pipe Bongs With Fritt . . . / DHGate.com; Dec. 7, 2017 <https://www.dhgate.com/product/hot-sell-glass-bong-glass-smoking-pipe-with/205698028.html>; 3 pages.
- AMG Red Eye Design Showerhead Sidecar Oil Rig for sale / King's Pipe; Dec. 7, 2017 <https://www.kings-pipe.com/AMG-red-eye-showerhead-sidecar-oil-rig-p/wp-196.htm>; 6 pages.
- Glass SideCar WP1895 Water Pipes / GogoPipes.com; Dec. 7, 2017 <http://www.gogopipes.com/sidecar-water-pipes-wp1895.html>; 4 pages.
- 2018 22cm Tall Mobius Matrix Sidecar Glass Bubbler Pipe Bubbler Glass Bong Vase Per . . . / DHGate.com; Dec. 7, 2017 <https://www.dhgate.com/product/22cm-tall-mobius-matrix-sidecar-glass-bubbler/385497852.html>; 3 pages.

(56)

References Cited

OTHER PUBLICATIONS

Honeycomb to Tornado Perc Sidecar Glass Water Pipe / King's Pipe Online Headshop; Dec. 7, 2017 <https://www.kings-pipe.com/honeycomb-tornado-sidecar-water-pipe-p/wp-242.htm>, 7 pages.

Wholesale Hookahs At \$22.92, Get 2015 New Mobius Matrix Sidecar Glass Bong Birdca . . . / DHGate.com; Dec. 8, 2017 <https://www.dhgate.com/product/2015-new-mobius-matrix-sidecar-glass-bong/264836611.html>, 4 pages.

Turbine Sidecar Waterpipe by CLV / Badass Glass; Dec. 7, 2017 <https://www.badassglass.com/turbine-sidecar-waterpipe.html> 2 pages.

2018 Mini Hookah Glass Bong Sidecar Design Snowman Bong Dab Rigs 14.5 Male Join . . . / DHGate.com; Dec. 7, 2017 <https://www.dhgate.com/product/mini-hookah-glass-bongs-sidecar-design-snowman/406309950.html#s1-5-1;disc13599369937>, 4 pages.

420 Science "Kargo 2" Sidecar Bubbler / Smoke Cartel Dec. 8, 2017 <https://www.smokecartel.com/products/420-science-kargo-2-sidecar-bubbler>, 7 pages.

China Sidecar rigs mini glass tobacco bubbler bong smoking matrix Perc water pipe oil . . . / Global Sources; Dec. 7, 2017 <http://www.globalsources.com/gsol/1/Bong/p/sm/1149651685.htm#1149651685>, 3 pages.

11" Dual Honeycomb Elbow Sidecar Water Pipe / 4 Aces Wholesale; Dec. 7, 2017 <https://4aceswholesale.com/11-Dual-Honeycomb-Elbow-Sidecar-Water-Pipe>, 2 pages.

New Mobius Matrix Sidecar Glass Bong Birdcage Perc Glass Pipe Thick Glass Smoking . . . / DHGate.com; Dec. 7, 2017 <https://www.dhgate.com/store/product/new-mobius-matrix-sidecar-glass-bong-birdcage/377298496.html> 2 pages.

Medium Stemless GoG Sidecar Water Pipe with Showerhead Perc—WP1041/ SPS Wholesale; Dec. 7, 2017 <https://spswholesale.com/medium-stemless-gog-sidecar-water-pipe-with-showerhead-perc-wp1041/>, 3 pages.

Dab Bong with Matrix Perc-Sidecar Bubbler Rig / Hasmoke Online Headshop; Dec. 7, 2017 <https://www.hasmoke.com/Mobius-glass-pipe-with-matrix-perc-18-mm-joint-s157.html>, 5 pages.

Goo Roo Designs Sidecar Rig / Uncle Ikes Glass & Goods; Dec. 7, 2017 <https://uncleikesglassandgoods.com/product/goo-roo-designs-sidecar-ria-2/>, 4 pages.

Wicked Sands Sidecar Bubbler / Oz Bong; Dec. 7, 2017 <https://ozbongs.com.au/wicked-sands-sidecar-bubbler.html>, 2 pages.

7" Stemless + Honeycomb + Showerhead + Sidecar water pipe / rig / 420 Glass City; Dec. 7, 2017 http://www.420glasscity.com/7-STEMLESS-HONEYCOMB-SHOWERHEAD-SIDECAR-water-pipe-rig_p_300.html, 3 pages.

Upgraded Mobius Matrix sidecar oil rigs glass bong water pipes birdcage perc 9" inches g . . . / One Smoker; Dec. 7, 2017 <http://www.funny-smoke.com/bongs-water-pipes/upgraded-mobius-matrix-sidecar-oil-rigs-glass-bongs-water-pipes-birdcage-perc-9inches-glass-smoking-pipes-ash-catcher-19mm-p48337.html>, 2 pages.

Honeycomb to Turbine Sidecar Dab Rig / CloudCulture; Dec. 7, 2017 <https://cloudculturestore.com/products/honeycomb-to-turbine-perc-bent-neck-bubbler-rig?variant=12146112134>, 6 pages.

10" Tall Gilded Glass Pink Slyme Concentrate Water Pipe w/ Shower-Head to Vortex Perc / Headshop Hub; Dec. 7, 2017 <https://headshophub.com/10-tall-gilded-glass-pink-slyme-concentrate-water-pipe-w-shower-head-to-vortex-perc>, 3 pages.

Sidecar Rigs Sprinkler Perc Bong Glass Bong Glass Smoking Pipe Perc Flow Bong Da . . . / DHGate Alpine Glass; Dec. 7, 2017 <https://www.dhgate.com/store/product/sidecar-rigs-sprinkler-perc-bongs-glass-bongs/391352990.html> 2 pages.

Wicked Sands Glass Honeycomb Sidecar Hash Bubbler #bongs #wicked Sands #vapor #ha . . . / Aqua Lab; Dec. 7, 2017 <https://www.pinterest.com/pin/107242034852412438/>, 3 pages.

Wizardtooth Glass—Sidecar / Flameworked; Dec. 7, 2017 <https://www.flameworked.com/product/wizardtooth-glass-sidecar/>, 3 pages.

Borodirect Sandblasted Stemline Perc Rig with Sidecar Mouthpiece / Cloud Chasers; Dec. 8, 2017 <https://www.cloudchasers.com/products/borodirect-sandblasted-stemline-perc-rig-with-sidecar-mouthpiece>, 7 pages.

Purr 14mm Concentrate Full Sidecar Honeycomb—Clear / Windship Trading; Dec. 8, 2017 <http://www.windshiptrading.com/sale-purr-14mm-concentrate-full-sidecar-honeycomb-clear/>, 3 pages.

Sidecar Water Pipe—T Perc to Turbine Perc / BadAssGlass.com—YouTube; Dec. 8, 2017 <https://www.youtube.com/watch?v=kUIBBhikgzQ>, 2 pages.

Hitman Glass E-nail Sidecar Rig / HellaWicked Inc.; Dec. 8, 2017 <https://www.hellawicked.com/hitman-glass-e-nail-sidecar-rig>, 2 pages.

Empire Glassworks Hootie Owl Vapor Bong / Grasscity; Dec. 11, 2017 https://www.grasscity.com/us_en/empire-glassworks-hootie-owl-vapor-bong.html, 6 pages.

2018 Glass Oil Rigs with 4mm Quartz Banger Nail Thick Glass Bong Male Joint 14.5mm Bubbler Dab Rig; Dec. 11, 2017 <https://www.dhgate.com/product/toro-glass-oil-rigs-with-4mm-quartz-banger/384573278.html#s1-0-1b;srpl0418288305>, 3 pages.

JM Flow Sidecar rigs Sprinkler perc bong glass bong glass smoking pipe perc flow bong dab oil rig tornado perc water pipes percolator; Dec. 11, 2017 <https://www.dhgate.com/store/product/2016-new-sprinkler-perc-bongs-glass-bongs/386444370.html>, 2 pages.

AEON Glass by Jhanpixel / p. 18/ FC Vaporizer Review Form, FuckCombusion; Dec. 11, 2017 <http://fuckcombustion.com/threads/aeon-glass-by-jhanpixel.7673/page-18>, 19 pages.

Clear 14mm Mini Sidecar Dab Rig/Wicked Sands Glass/Glass & Other Smoking Device . . . ; Explore Sand Glass, Dab Rig, and More!; Dec. 11, 2017 <https://www.pinterest.com/pin/686728643149634849/>, 6 pages.

China Tall Mobius Matrix Sidecar Glass Bong from Jinhua Manufacturer: Yiwu Hao Ke Smoking Supplies Co., Ltd.; Dec. 11, 2017 <http://smokingdogo.manufacturer.globalsources.com/si/6008851944093/pdt1/Bong/1146785450/Tall-Mobius-Matrix-sidecar-glass-bong.htm>, 3 pages.

WP-0174 6" Stemless + Barrel Showerhead + Sidecar; Dec. 11, 2017 https://www.usglobalimports.com/product_p/wp-0174.htm, 5 pages.

Cobalt Sprinkler Dab Rig; Dec. 11, 2017 <https://cloudculturestore.com/products/cobalt-sprinkler-vapor-rig>, 6 pages.

Crystall Ball to Pillar Perc Sidecar Bong—Toker Supply; Dec. 11, 2017 <https://www.tokersupply.com/products/crystal-ball-to-pillar-perc-sidecar-bong>, 3 pages.

Crystal Ball to Pillar Perc Sidecar Bong—Stash Lab Technologies; Dec. 11, 2017 <https://www.stashlabtechnologies.com/products/dankstop-crystal-ball-to-pillar-perc-sidecar-bong>, 5 pages.

* cited by examiner

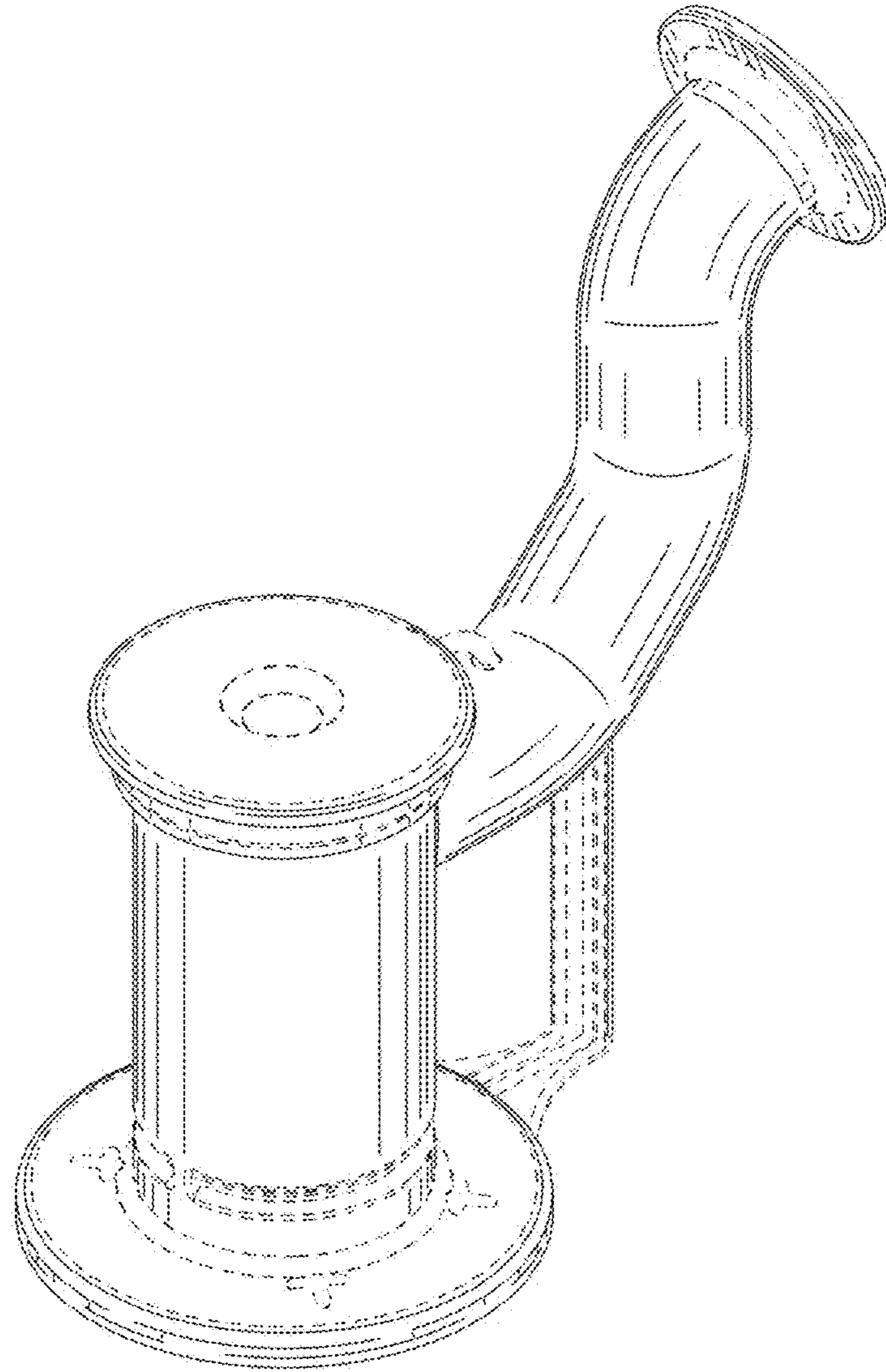


FIG. 1

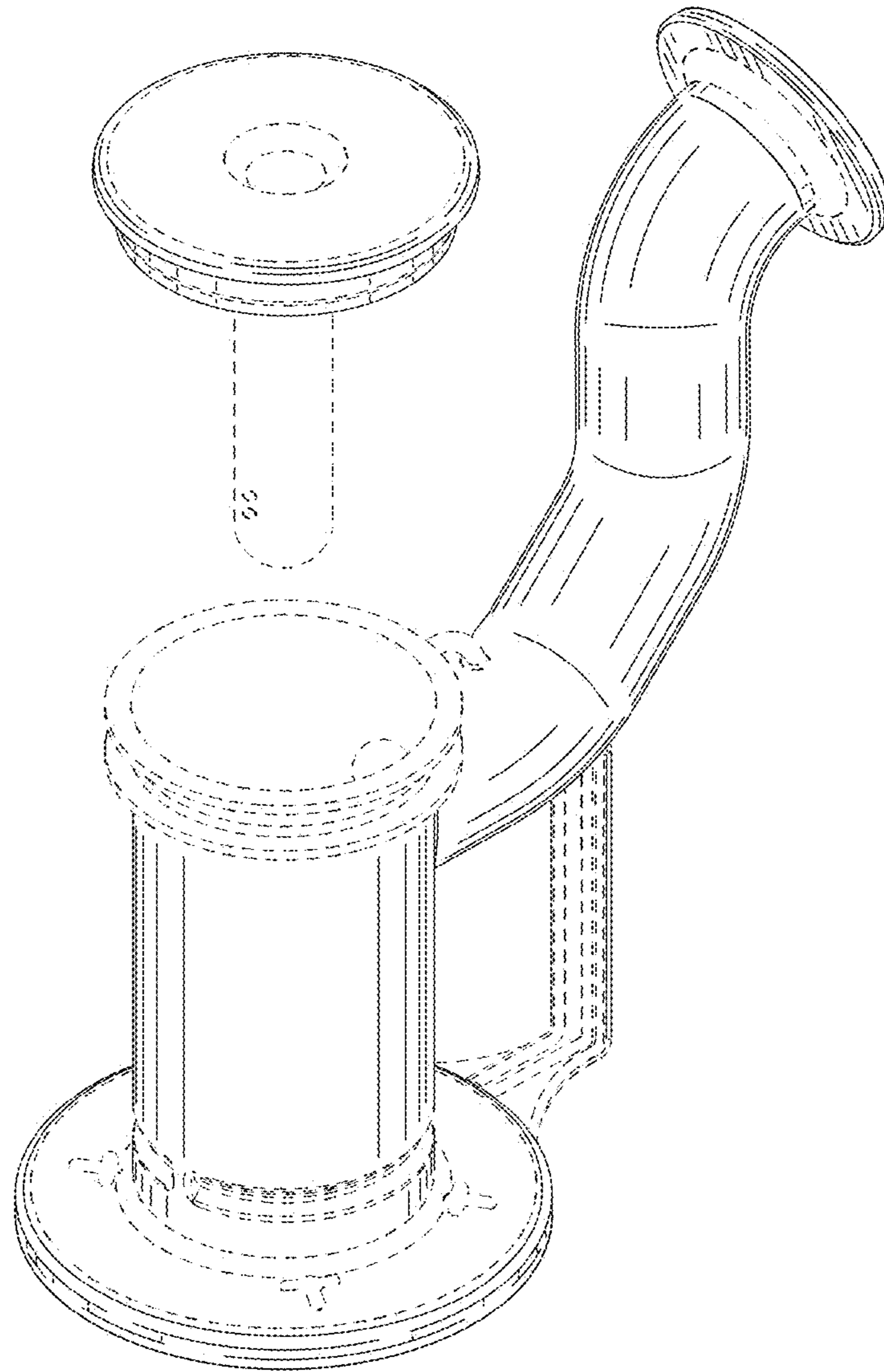


FIG. 2

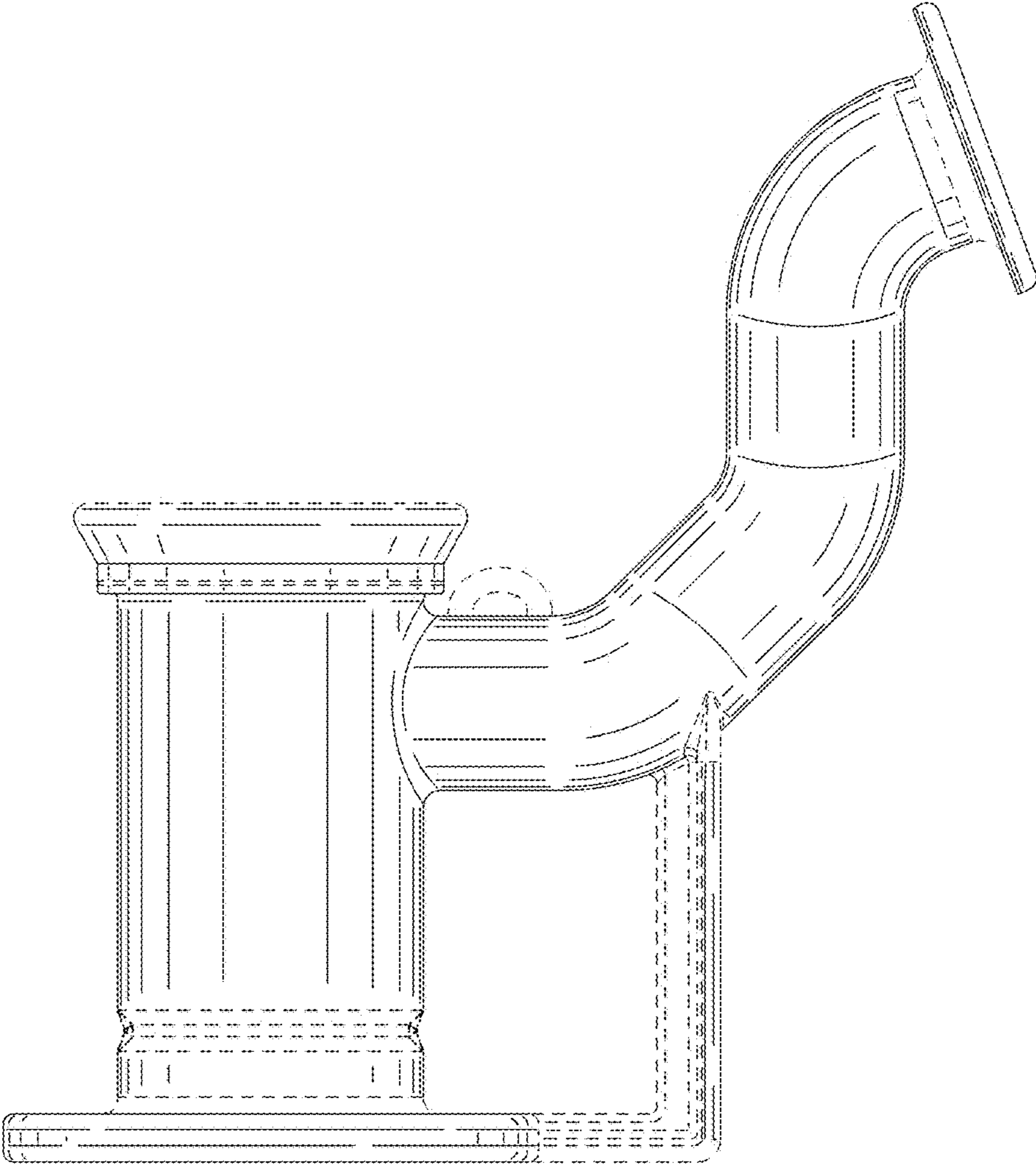


FIG. 3

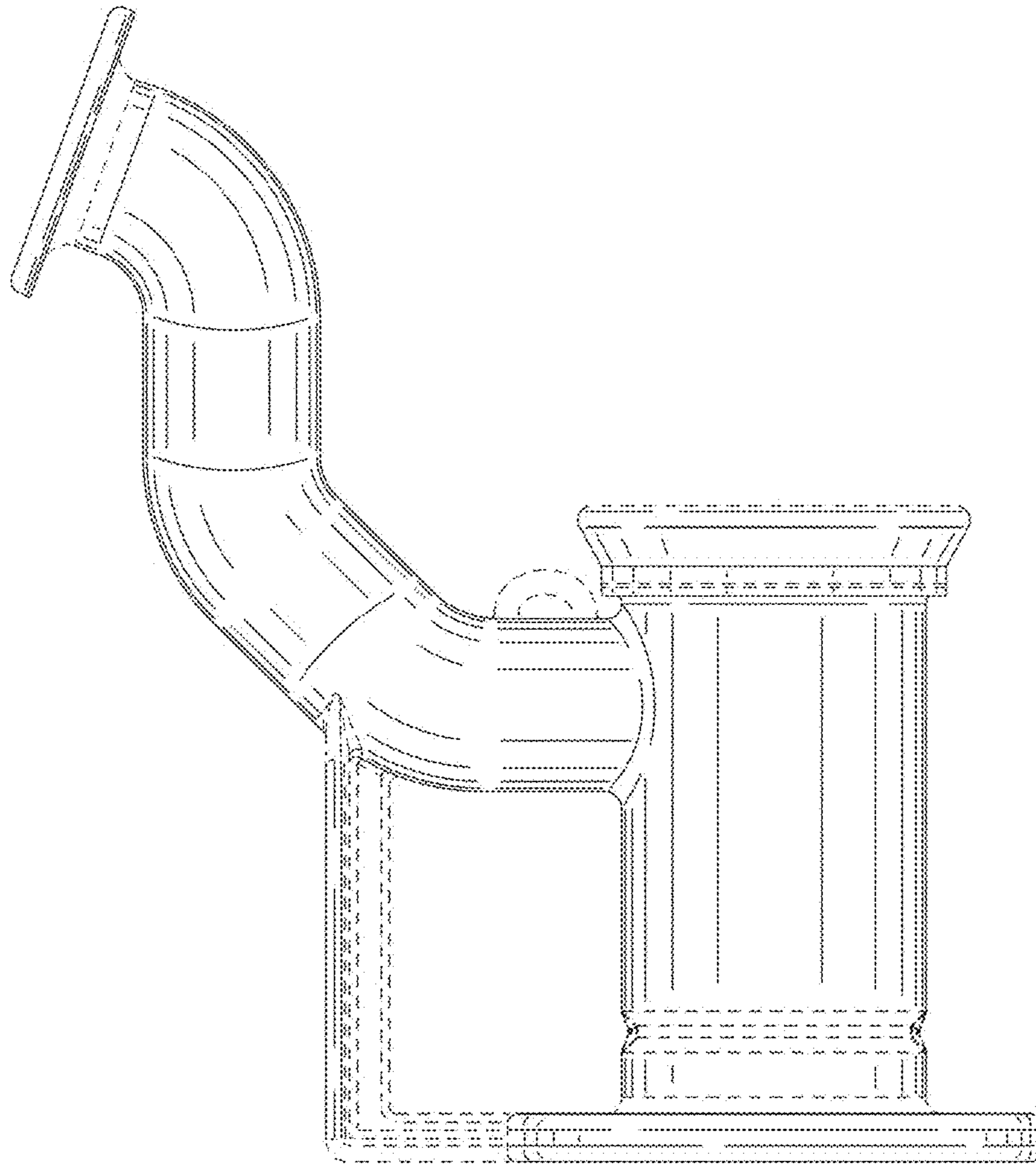


FIG. 4

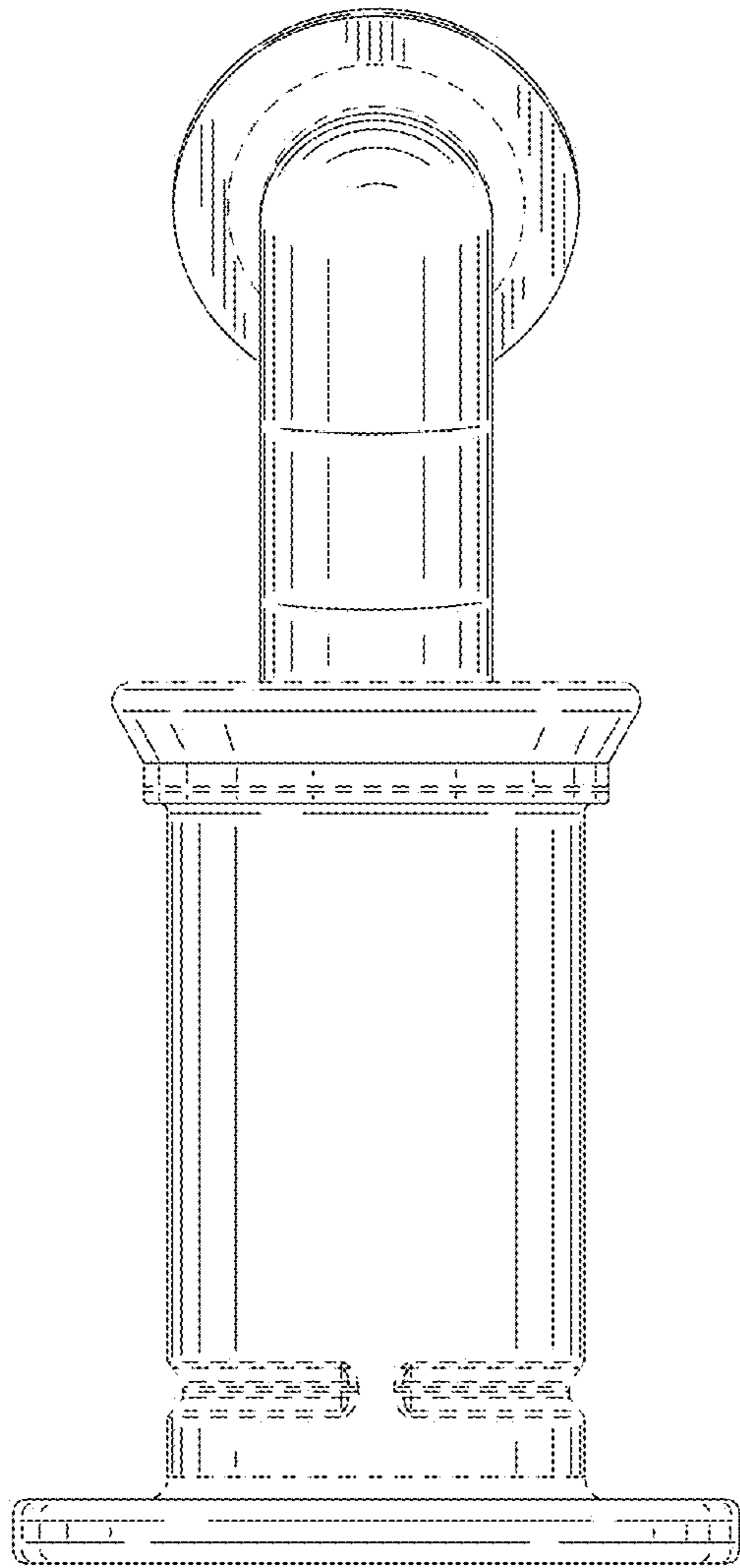


FIG. 5

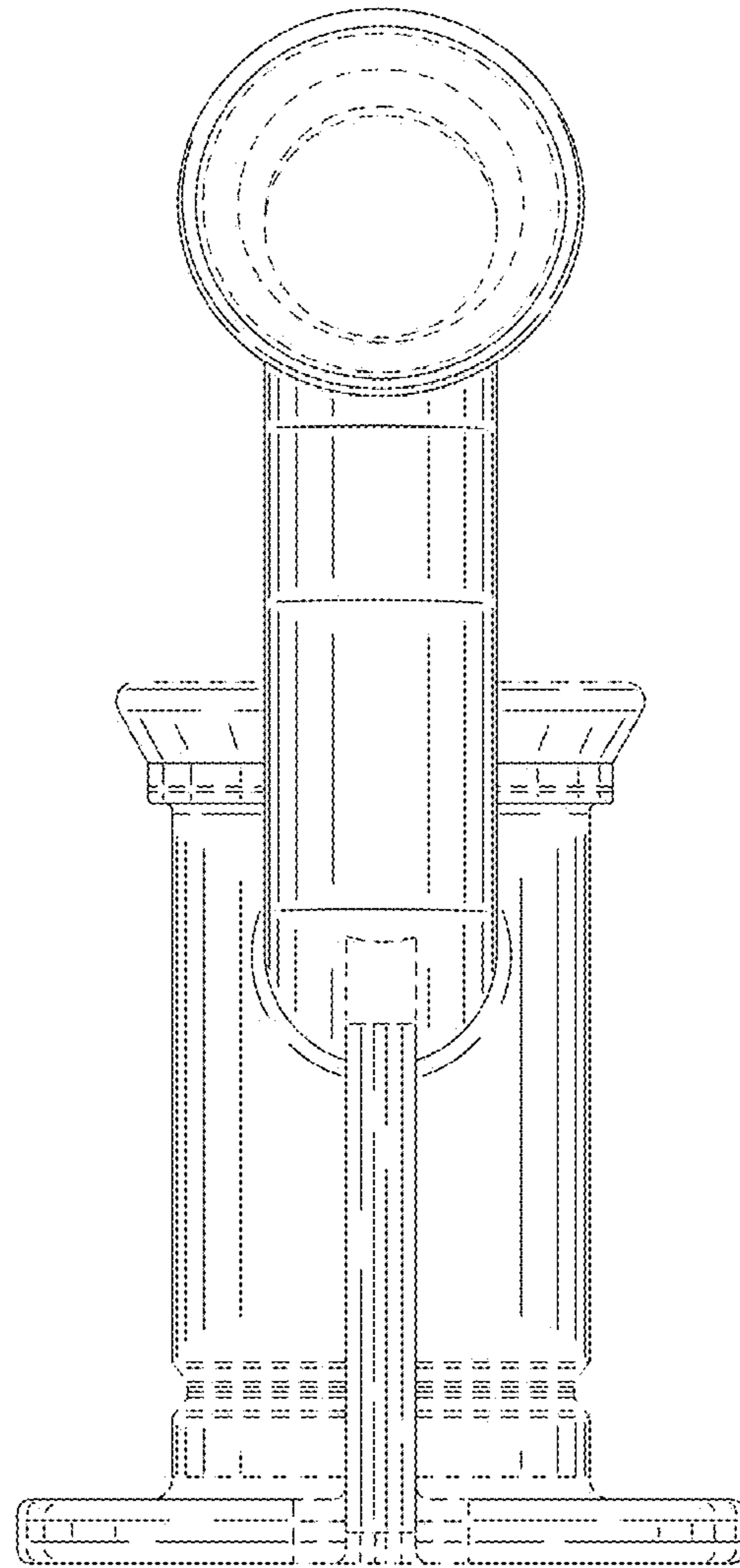


FIG. 6

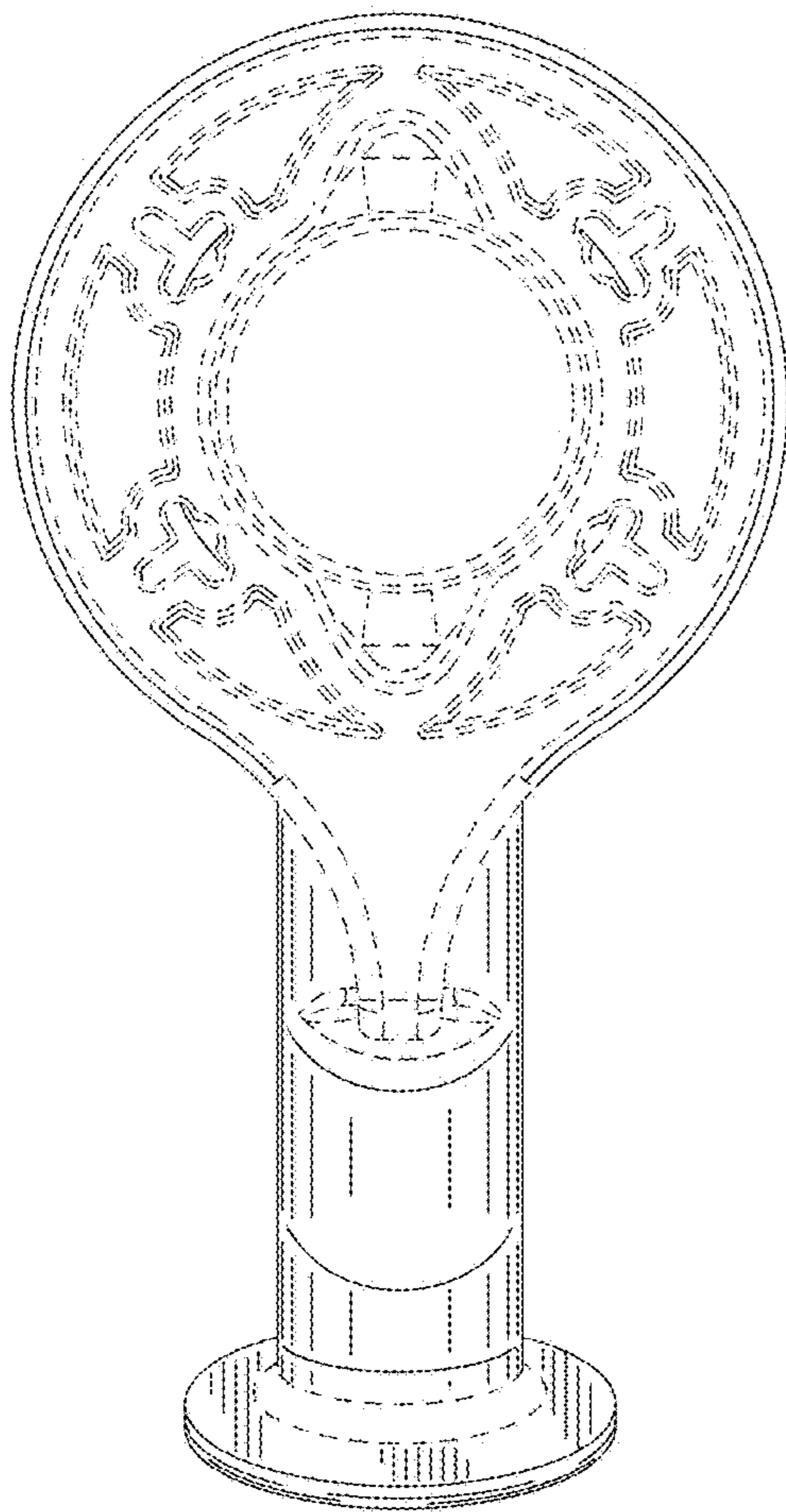


FIG. 7

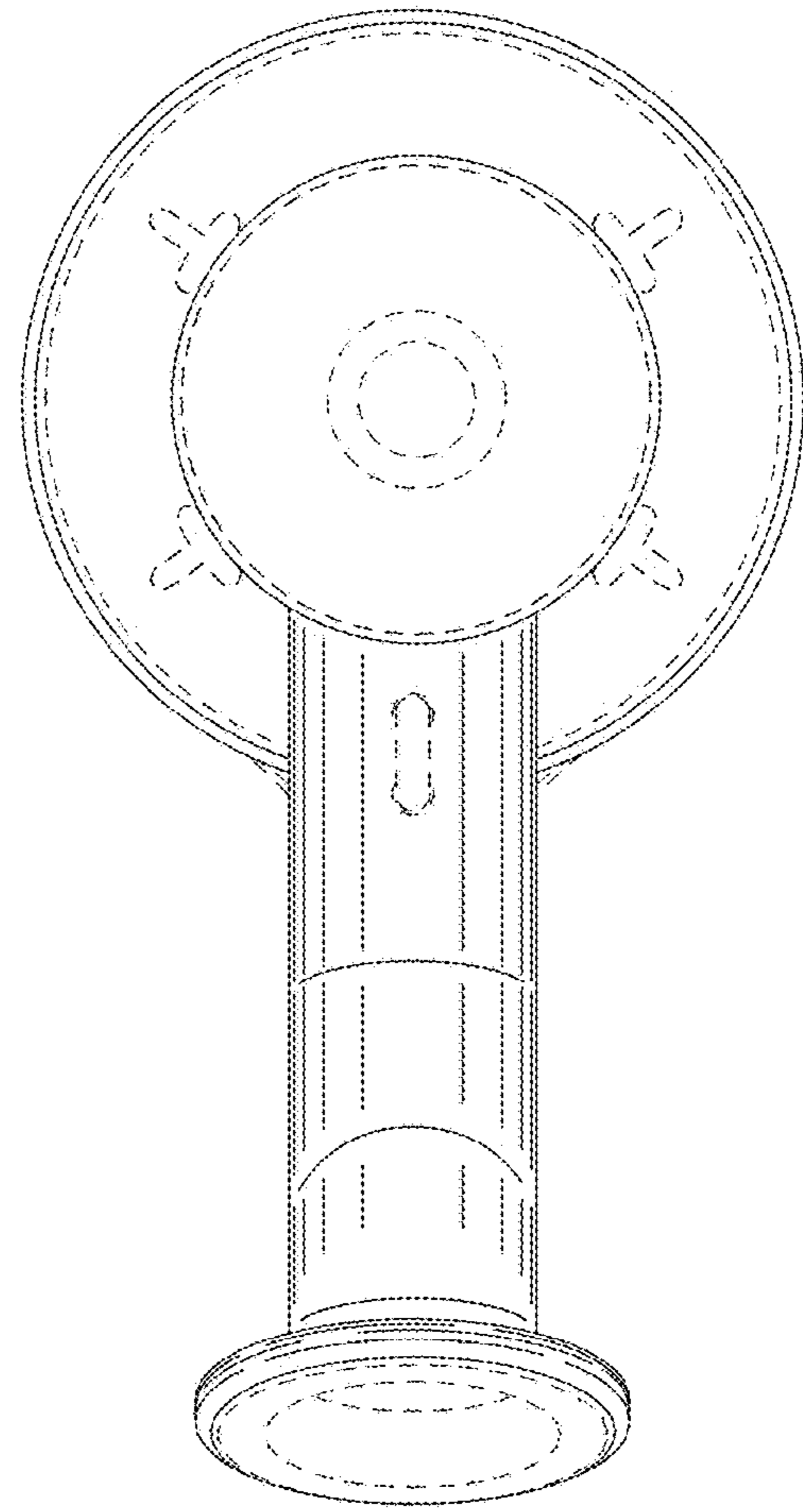


FIG. 8

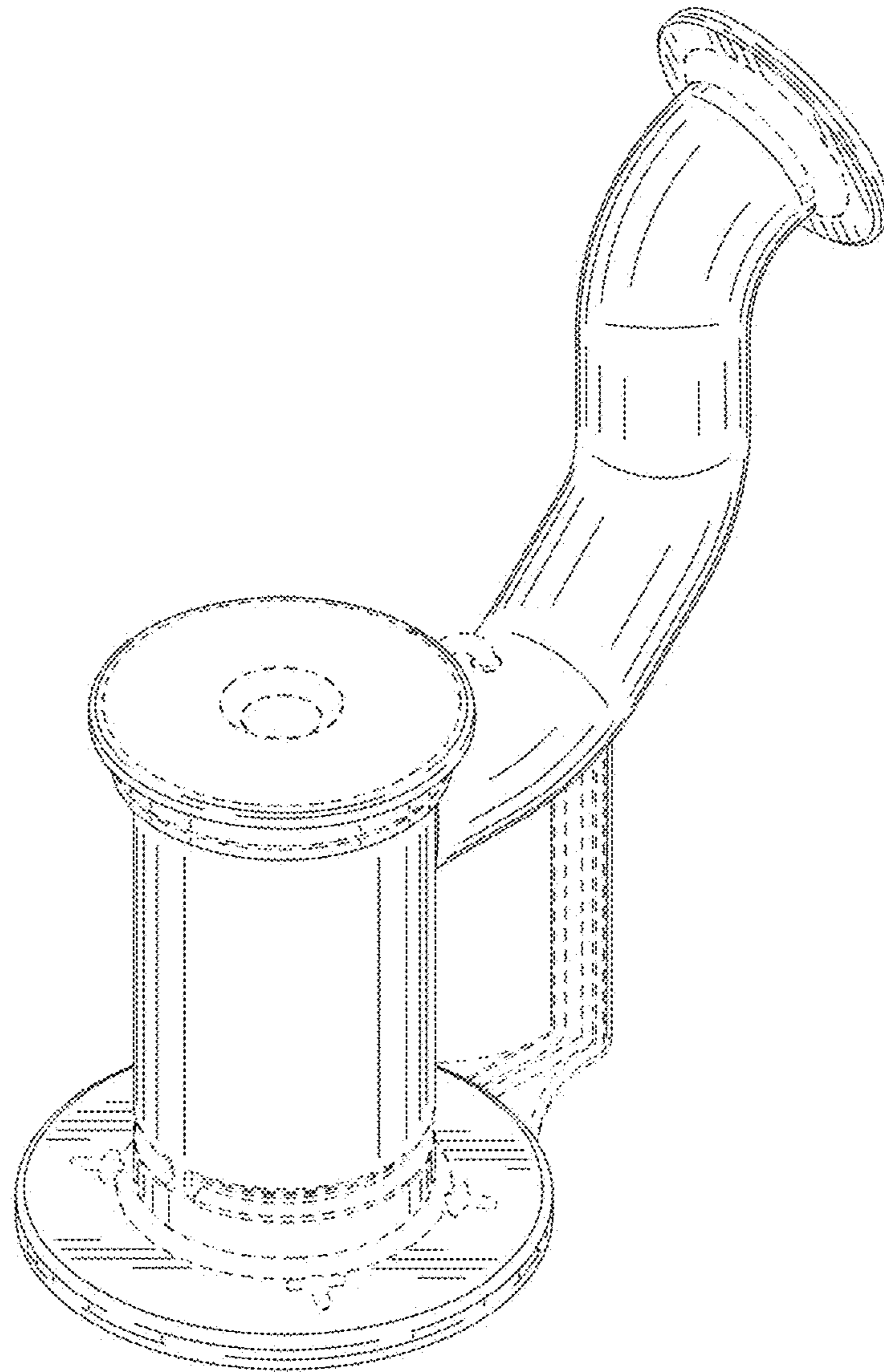


FIG. 9

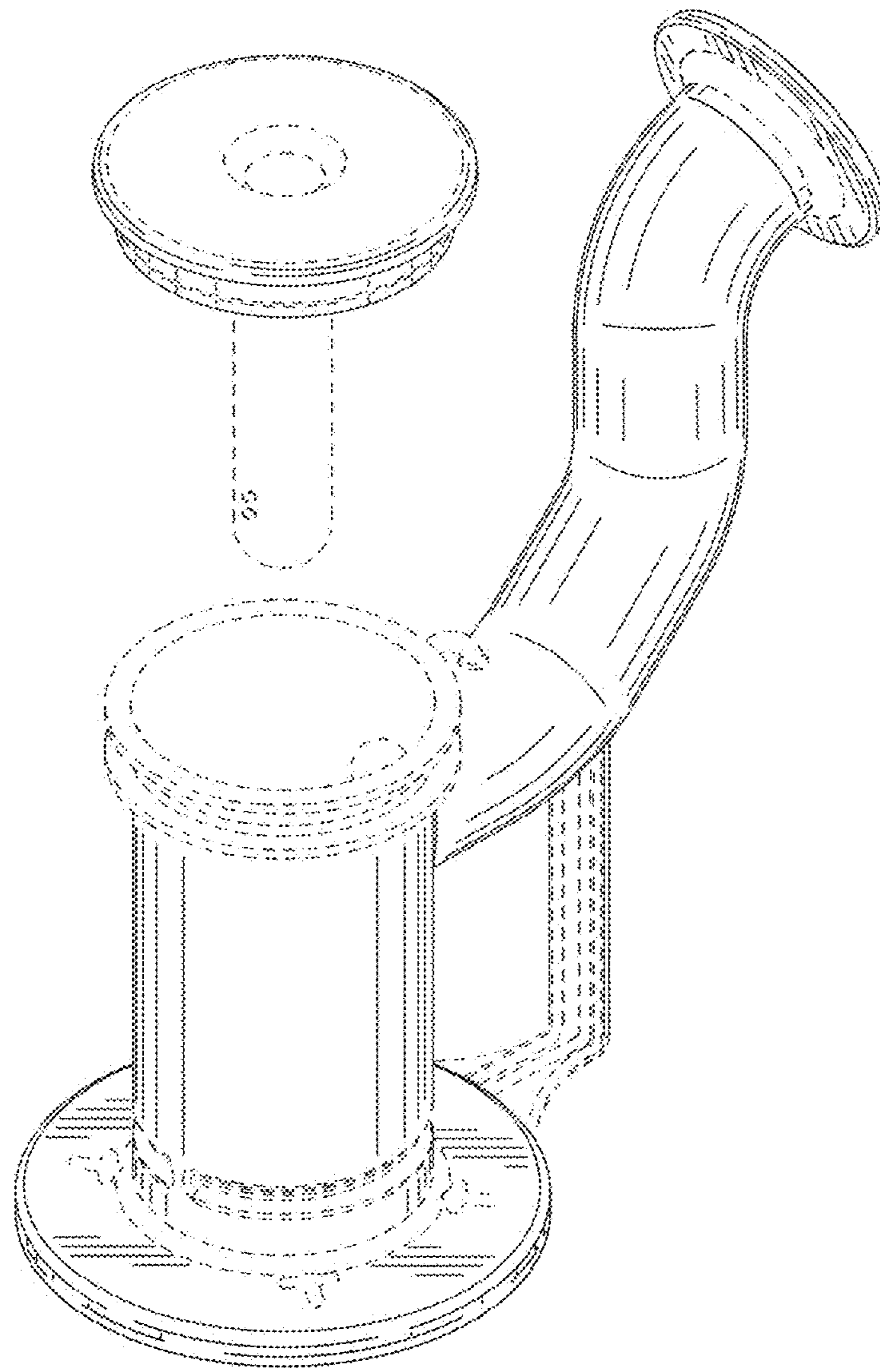


FIG. 10

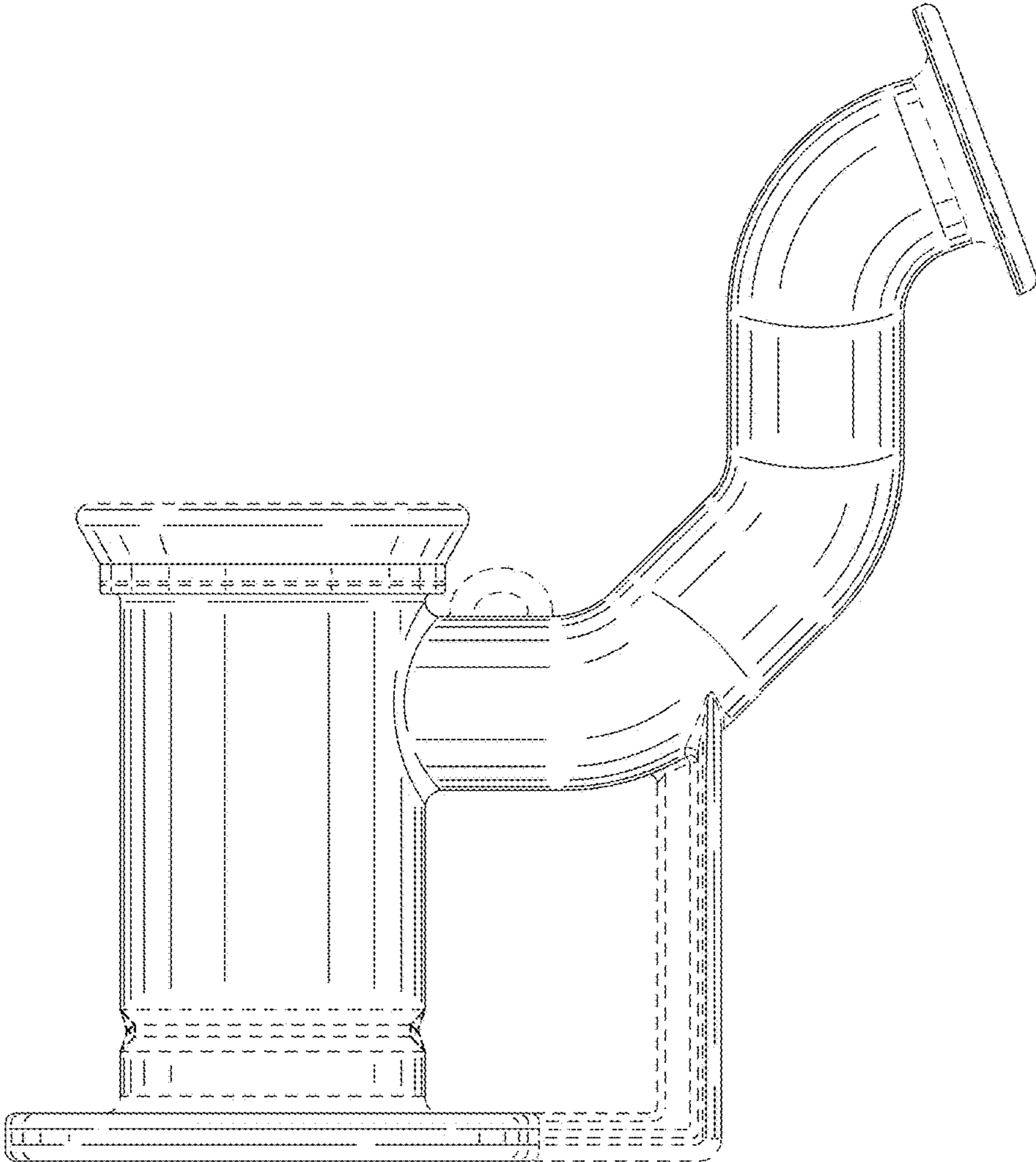


FIG. 11

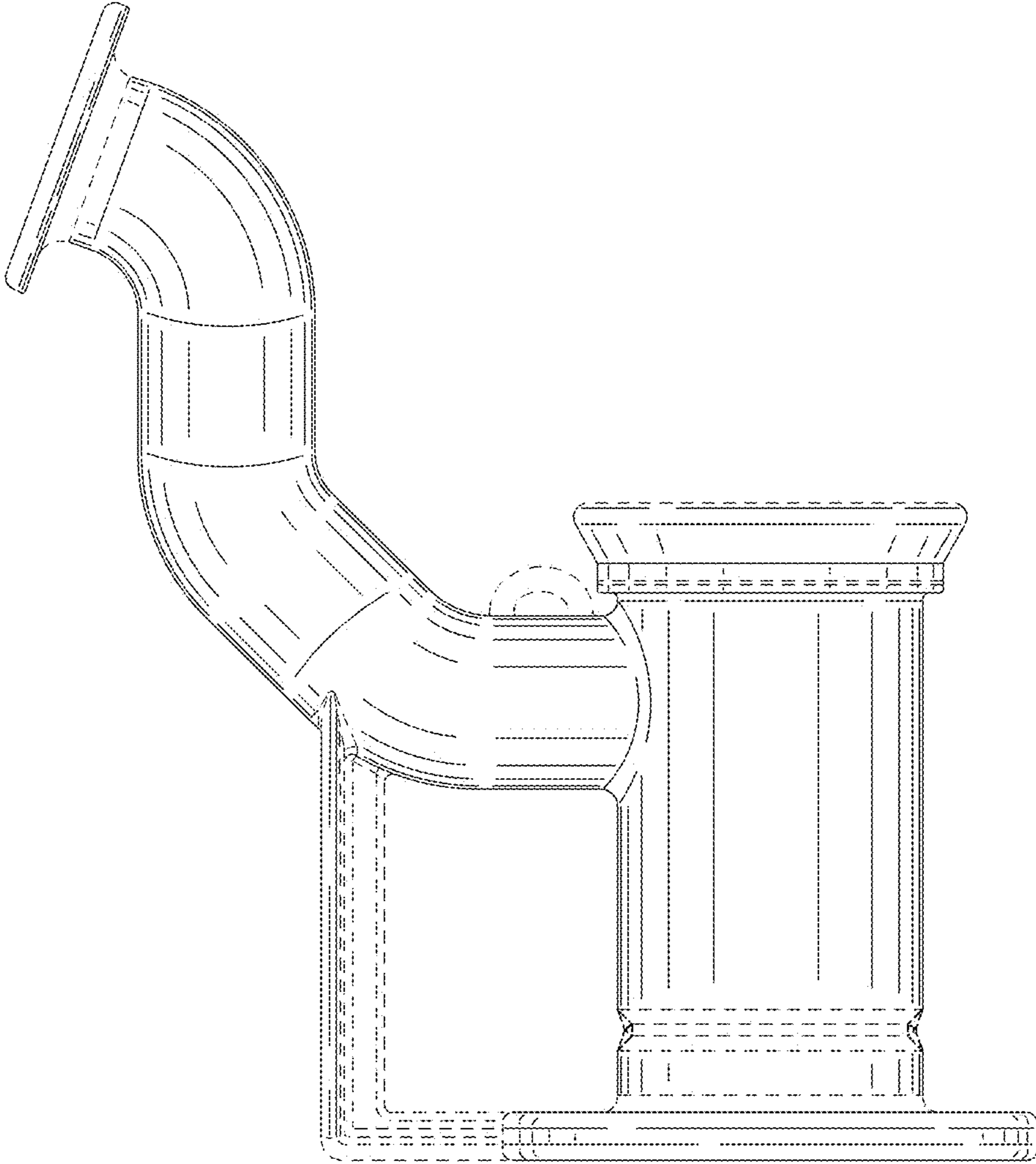


FIG. 12

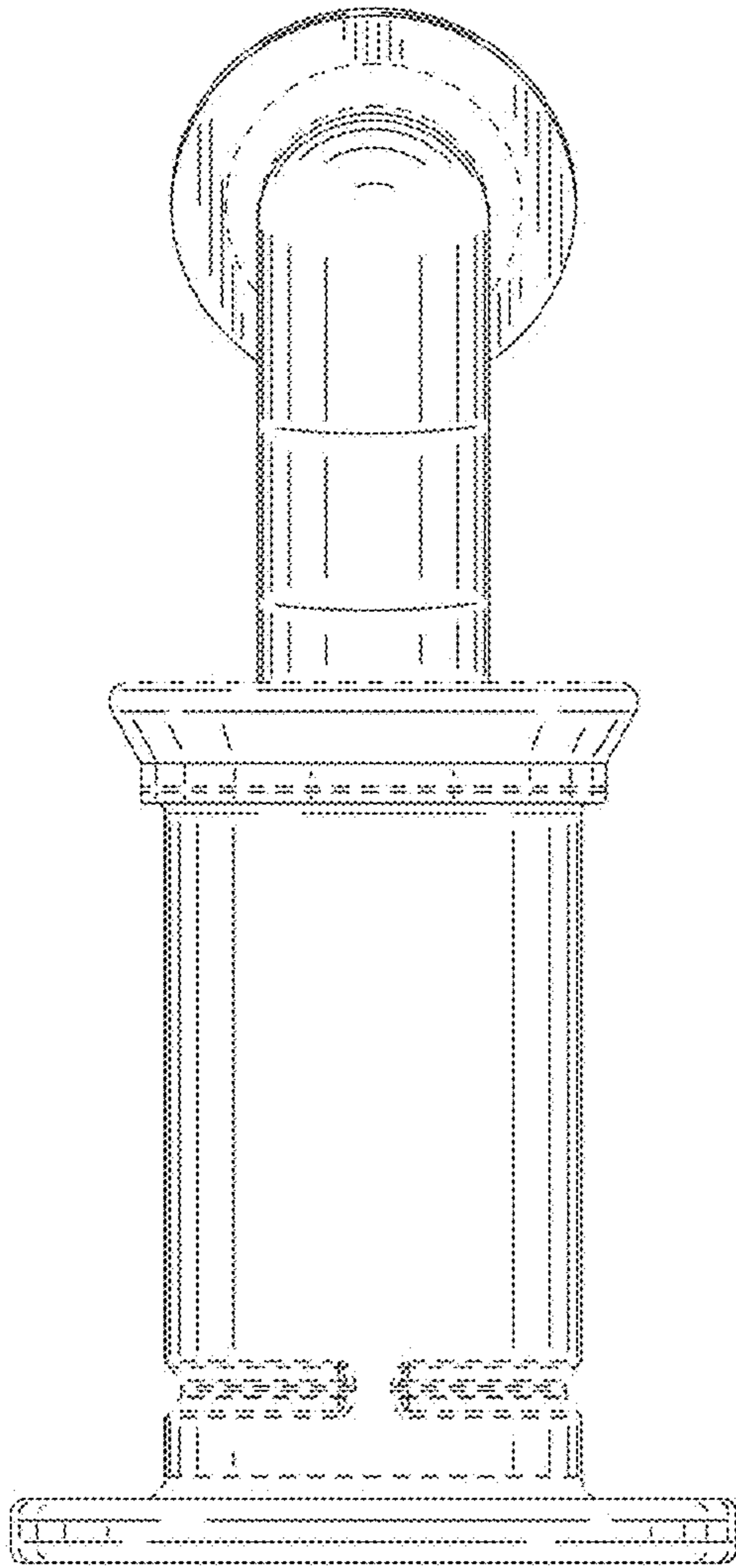


FIG. 13

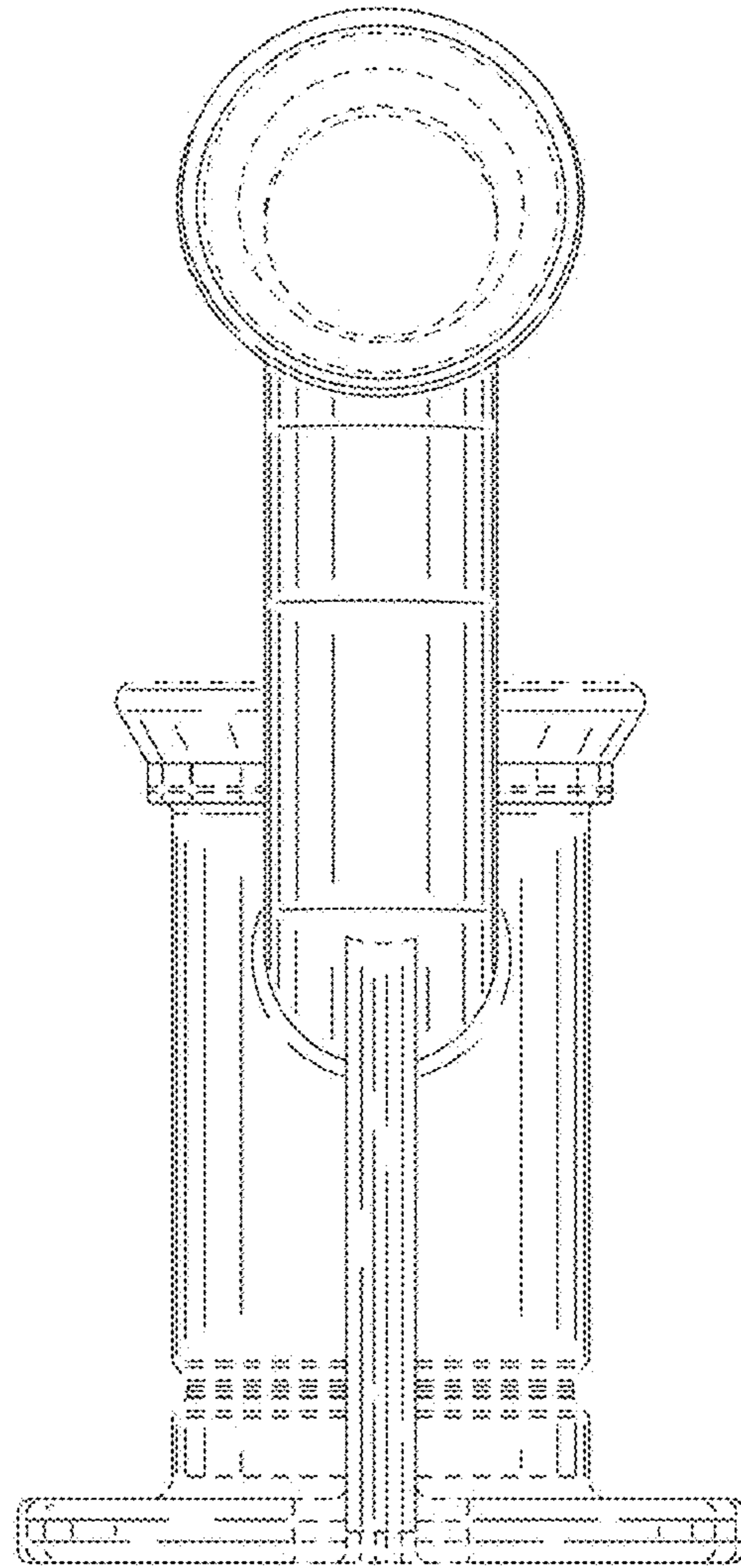


FIG. 14

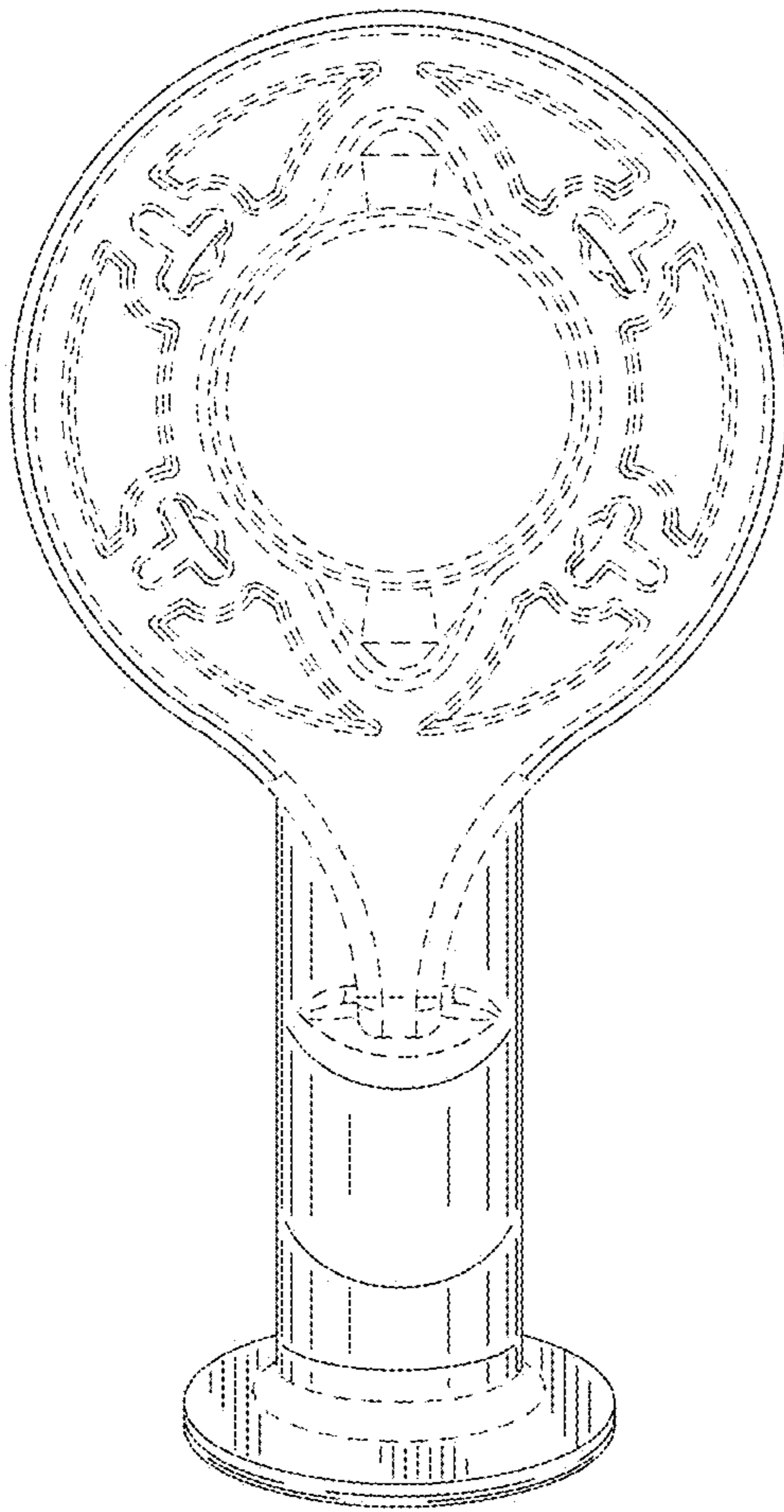


FIG. 15

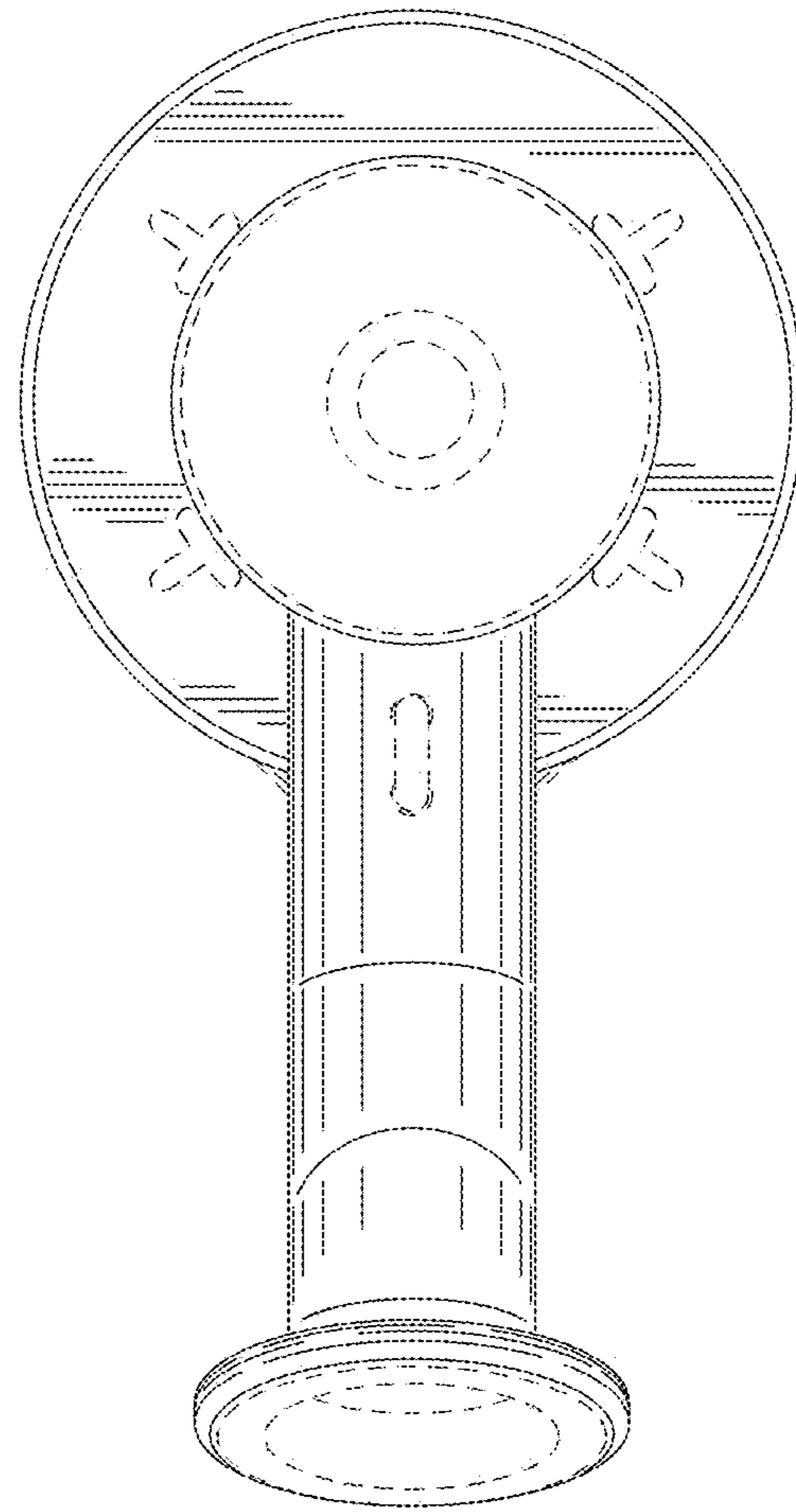


FIG. 16